



US00D944683S

(12) **United States Design Patent**  
**Wang et al.**

(10) **Patent No.:** **US D944,683 S**  
(45) **Date of Patent:** **\*\* Mar. 1, 2022**

- (54) **AERIAL VEHICLE**
- (71) Applicant: **SZ DJI Technology Co., Ltd.**,  
Shenzhen (CN)
- (72) Inventors: **Chenjie Wang**, Shenzhen (CN);  
**Baichuan He**, Shenzhen (CN); **Li Qiu**,  
Shenzhen (CN)
- (73) Assignee: **SZ DJI Technology Co., Ltd.**,  
Shenzhen (CN)
- (\*\*) Term: **15 Years**
- (21) Appl. No.: **29/725,998**
- (22) Filed: **Feb. 28, 2020**
- (51) **LOC (13) Cl.** ..... **12-02**
- (52) **U.S. Cl.**  
USPC ..... **D12/16.1; D12/328**
- (58) **Field of Classification Search**  
USPC ..... D12/1-4, 16.1, 319-345; D21/436, 441,  
D21/443, 444, 446, 447, 448, 449, 450,  
D21/451, 452, 453, 454  
CPC ..... B64C 2201/141; B64C 2201/20; B64C  
2201/027; B64C 1/40; B64G 1/002;  
A63H 33/185  
See application file for complete search history.

D885,301 S *	5/2020	Luo	.....	D12/328
D892,677 S *	8/2020	Luo	.....	D12/16.1
D895,527 S *	9/2020	Wang	.....	D12/328
D896,700 S *	9/2020	Xu	.....	D12/16.1
D896,731 S *	9/2020	Liang	.....	D12/328
10,869,004 B2 *	12/2020	Jeong	.....	B64F 1/362
D907,558 S *	1/2021	Chen	.....	D12/327
2017/0144756 A1 *	5/2017	Rastgaar Aagaah	.....	G05D 1/0094
2018/0208301 A1 *	7/2018	Ye	.....	B64C 11/10
2019/0311637 A1 *	10/2019	Drejak	.....	G06K 9/03
2020/0019191 A1 *	1/2020	Kim	.....	G05D 1/102
2020/0033854 A1 *	1/2020	Jeong	.....	B64D 27/24
2020/0108931 A1 *	4/2020	Zhou	.....	B64D 1/18
2020/0301423 A1 *	9/2020	Wang	.....	G01S 13/003

**OTHER PUBLICATIONS**

Drone site survey by djiEnterprise, dated 2021. found online [Aug. 27, 2021] <https://enterprise.dji.com/surveying>.\*

\* cited by examiner

*Primary Examiner* — Marissa J Cash  
(74) *Attorney, Agent, or Firm* — Sterne, Kessler,  
Goldstein & Fox P.L.L.C.

(57) **CLAIM**

The ornamental design for an aerial vehicle, as shown and described.

**DESCRIPTION**

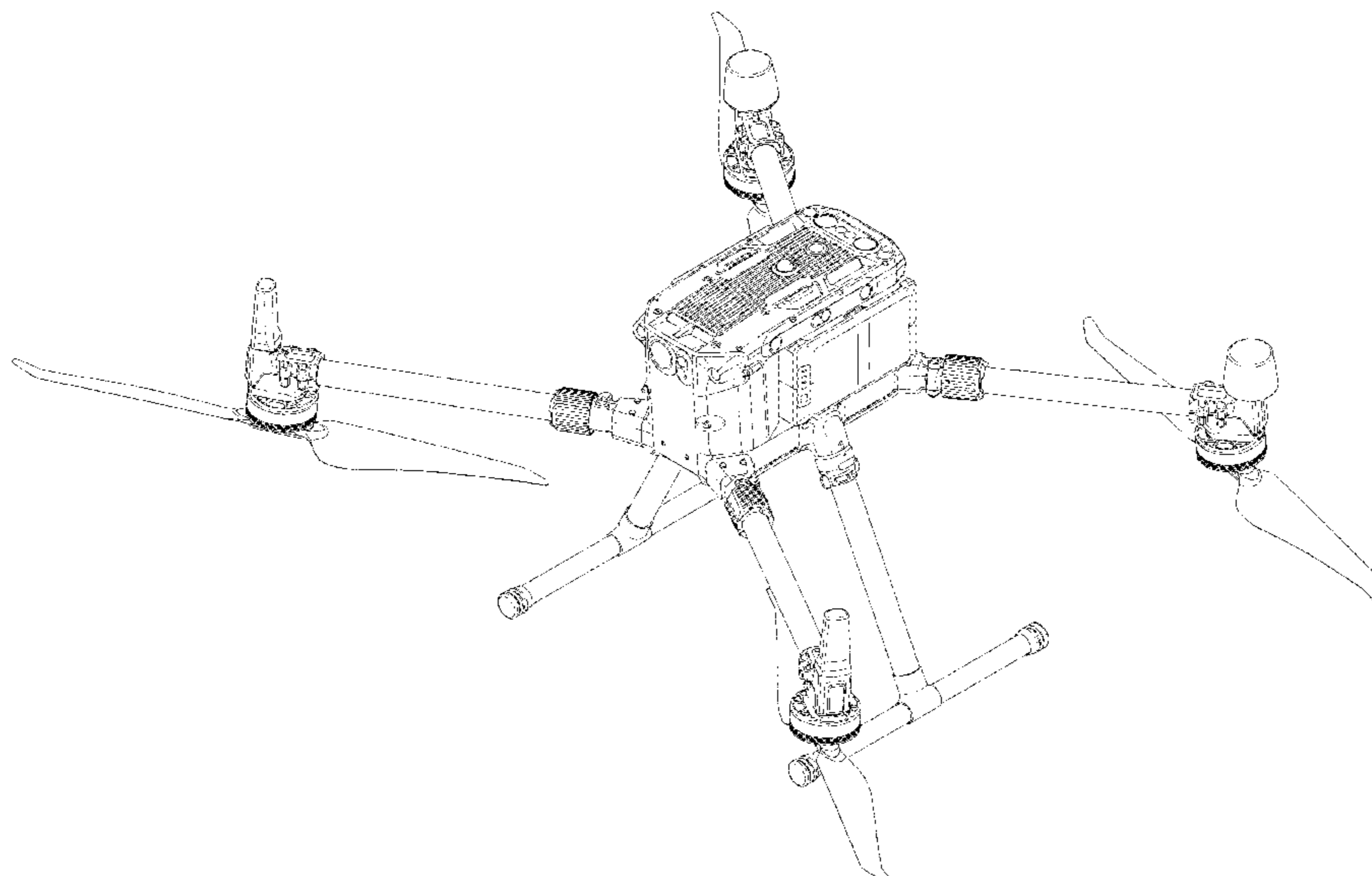
FIG. 1 is a top front perspective view of an aerial vehicle showing the claimed design;  
FIG. 2 is a bottom rear perspective view thereof;  
FIG. 3 is a front view thereof;  
FIG. 4 is a rear view thereof;  
FIG. 5 is a left side view thereof;  
FIG. 6 is a right side view thereof;  
FIG. 7 is a top view thereof; and,  
FIG. 8 is a bottom view thereof.

**1 Claim, 8 Drawing Sheets**

(56) **References Cited**

**U.S. PATENT DOCUMENTS**

D751,490 S *	3/2016	Chen	.....	D12/319
D751,491 S *	3/2016	Chen	.....	D12/319
D800,602 S *	10/2017	Hsiao	.....	D12/16.1
D803,097 S *	11/2017	Wang	.....	D12/16.1
D808,860 S *	1/2018	Tian	.....	D12/16.1
D816,582 S *	5/2018	Liang	.....	D12/328
D820,768 S *	6/2018	Wang	.....	D12/328
D854,967 S *	7/2019	Yu	.....	D12/16.1
10,386,188 B2 *	8/2019	Tian	.....	G08G 5/045
D862,359 S *	10/2019	Chen	.....	D12/328
D870,638 S *	12/2019	Kuanliang	.....	D12/328



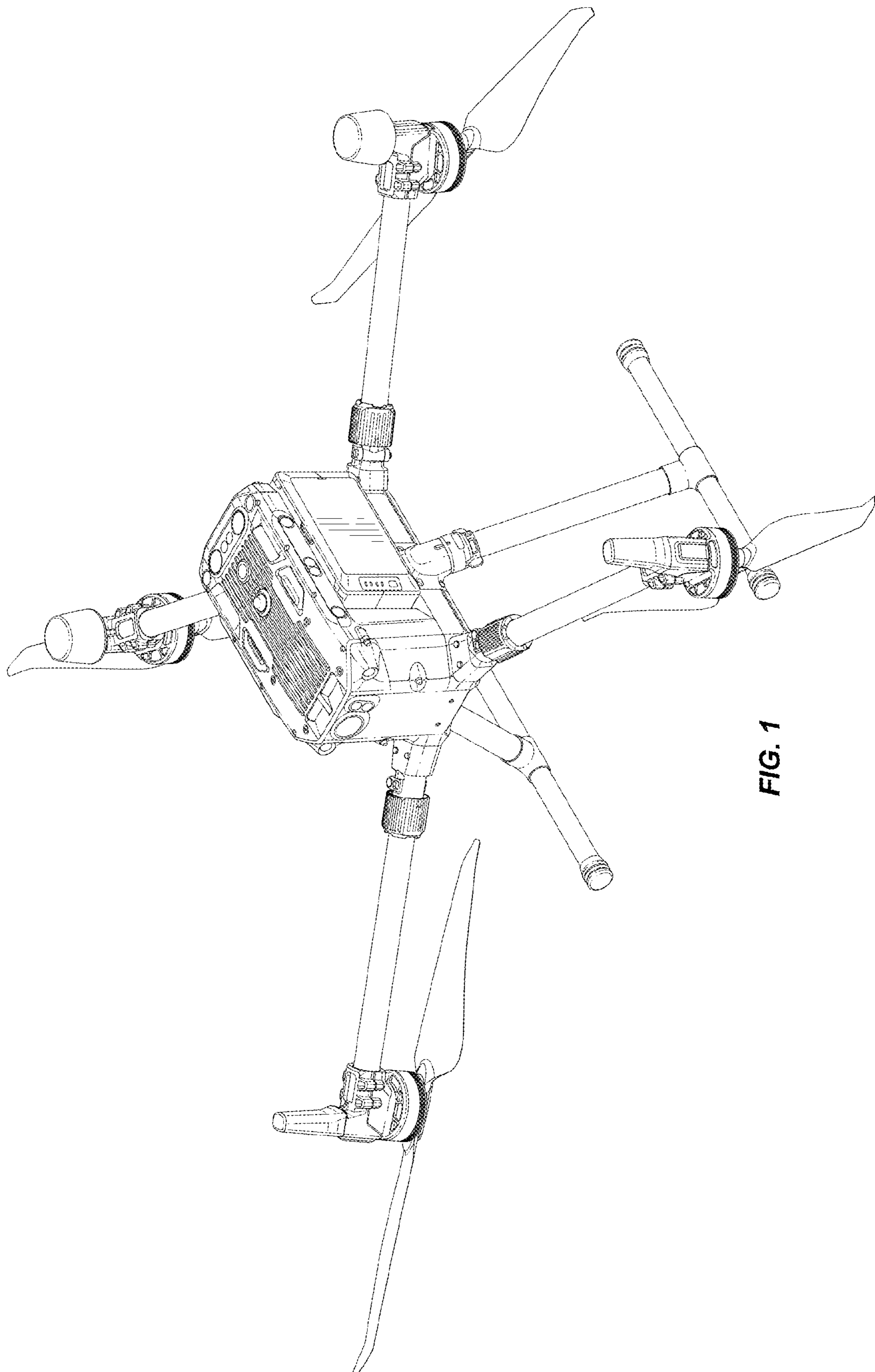


FIG. 1

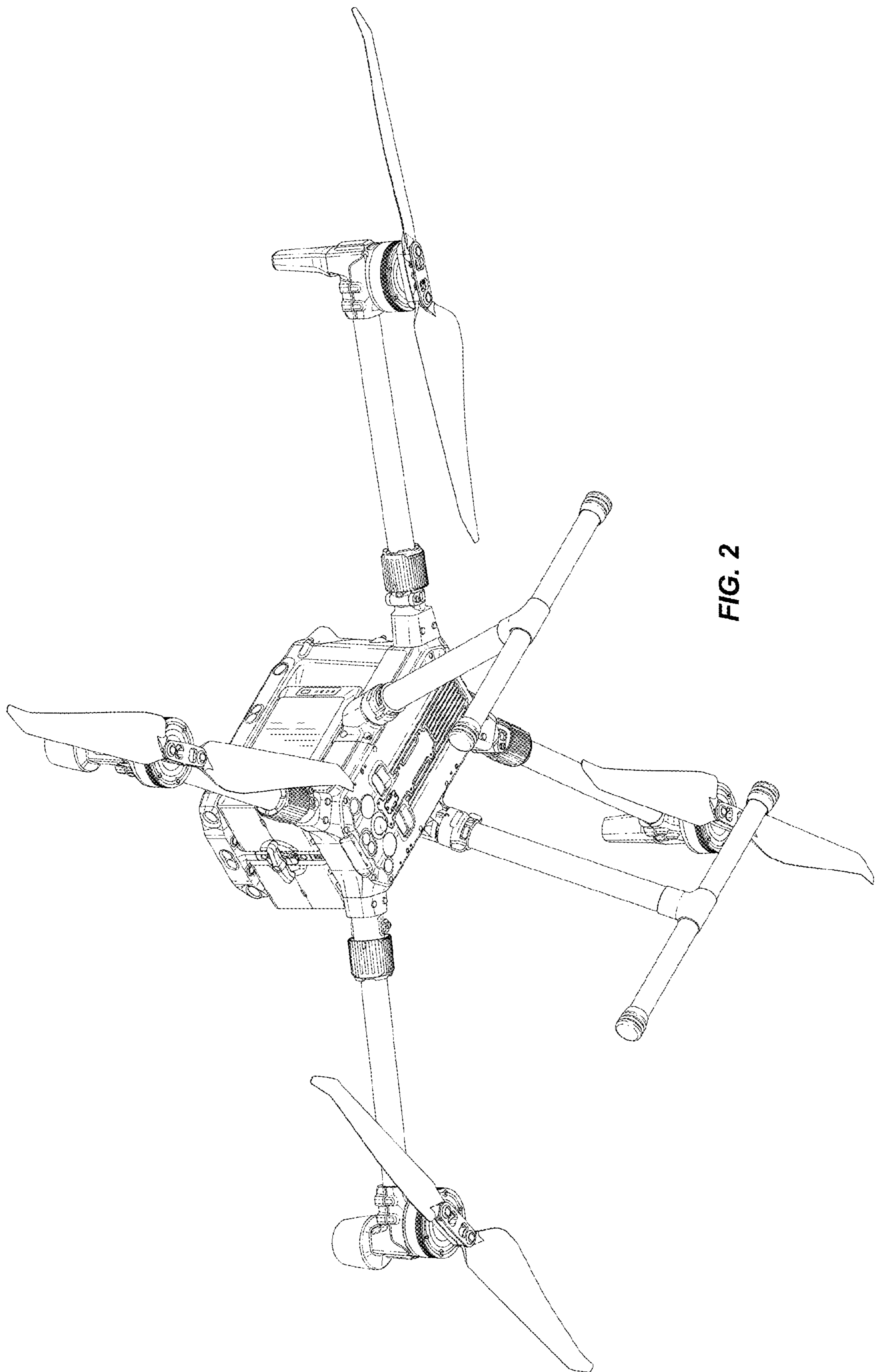


FIG. 2

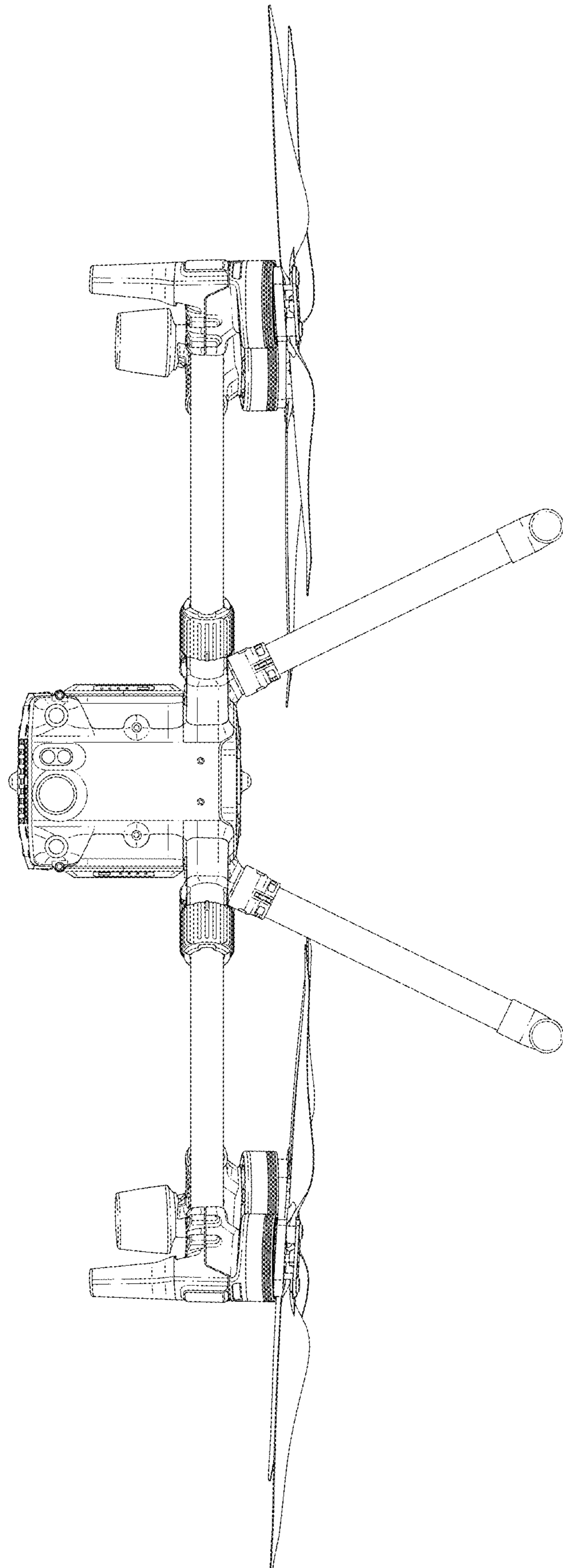


FIG. 3

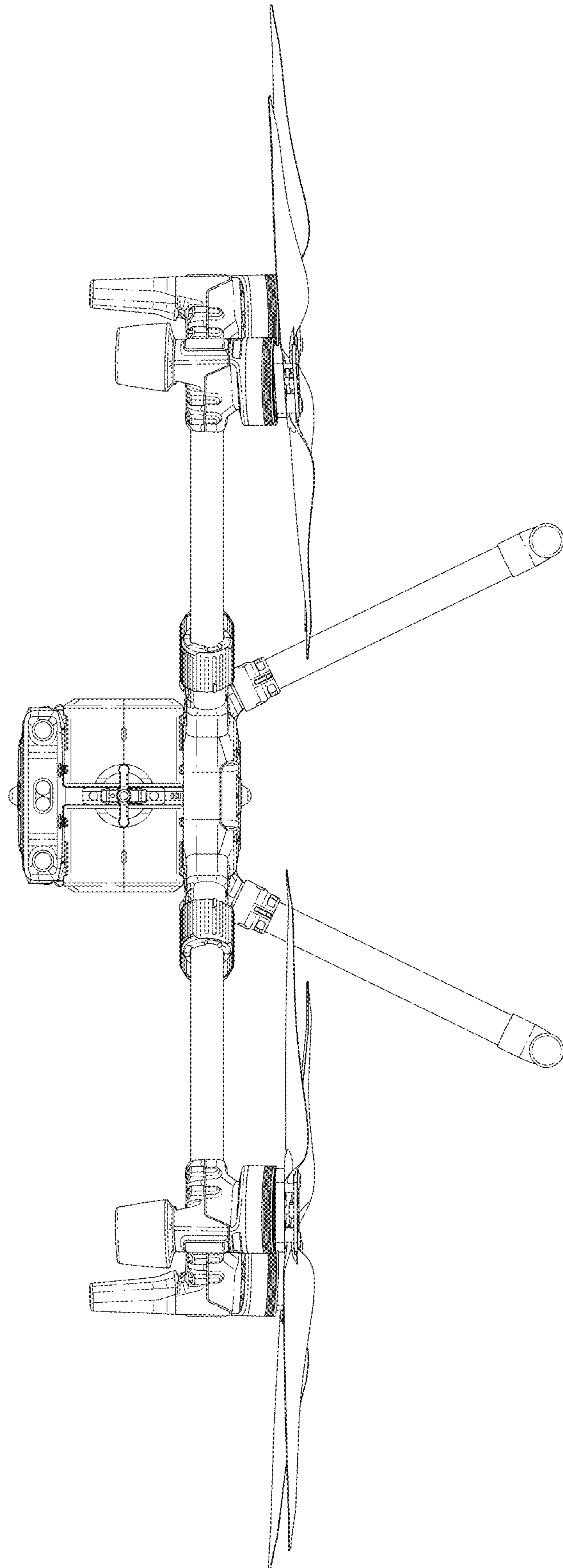


FIG. 4

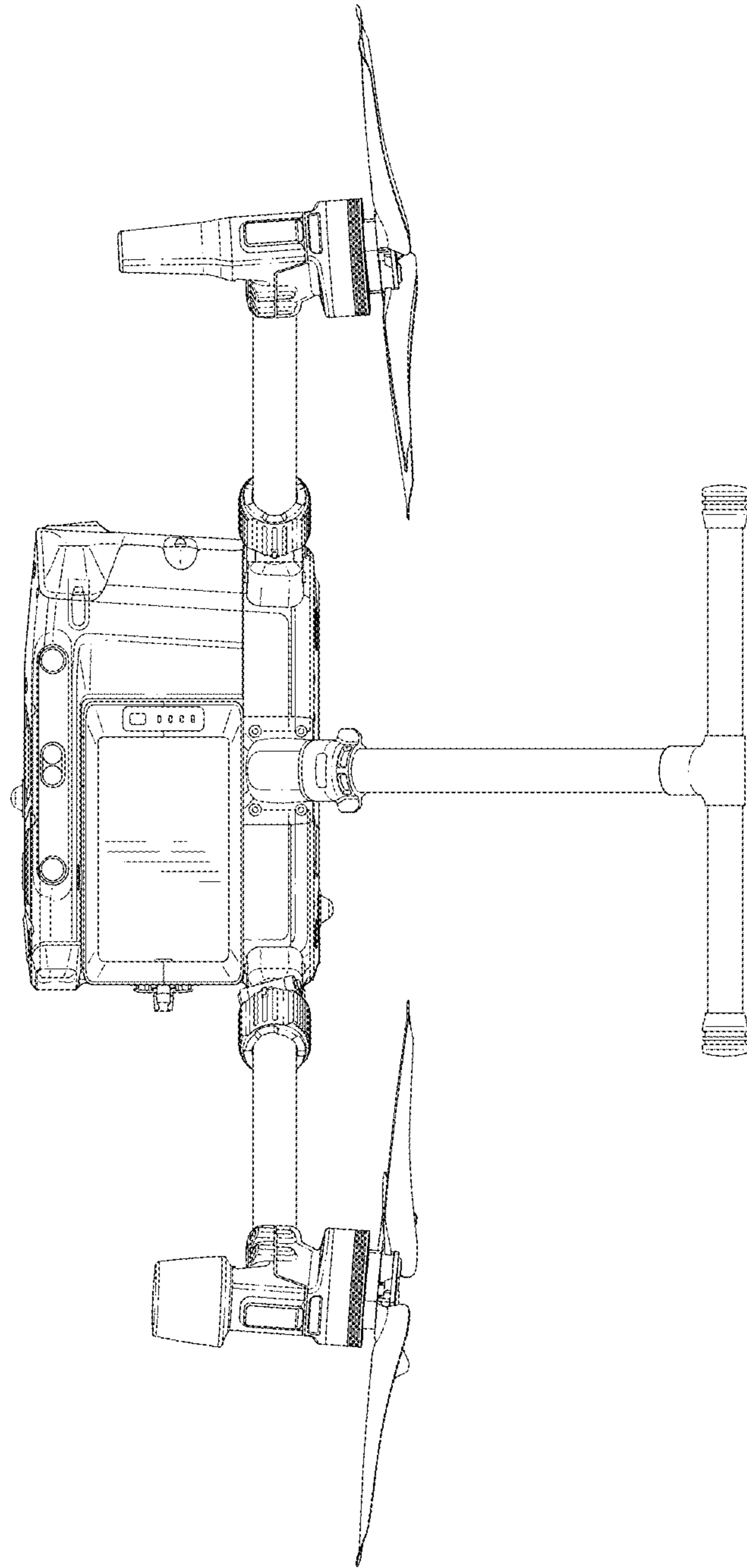


FIG. 5

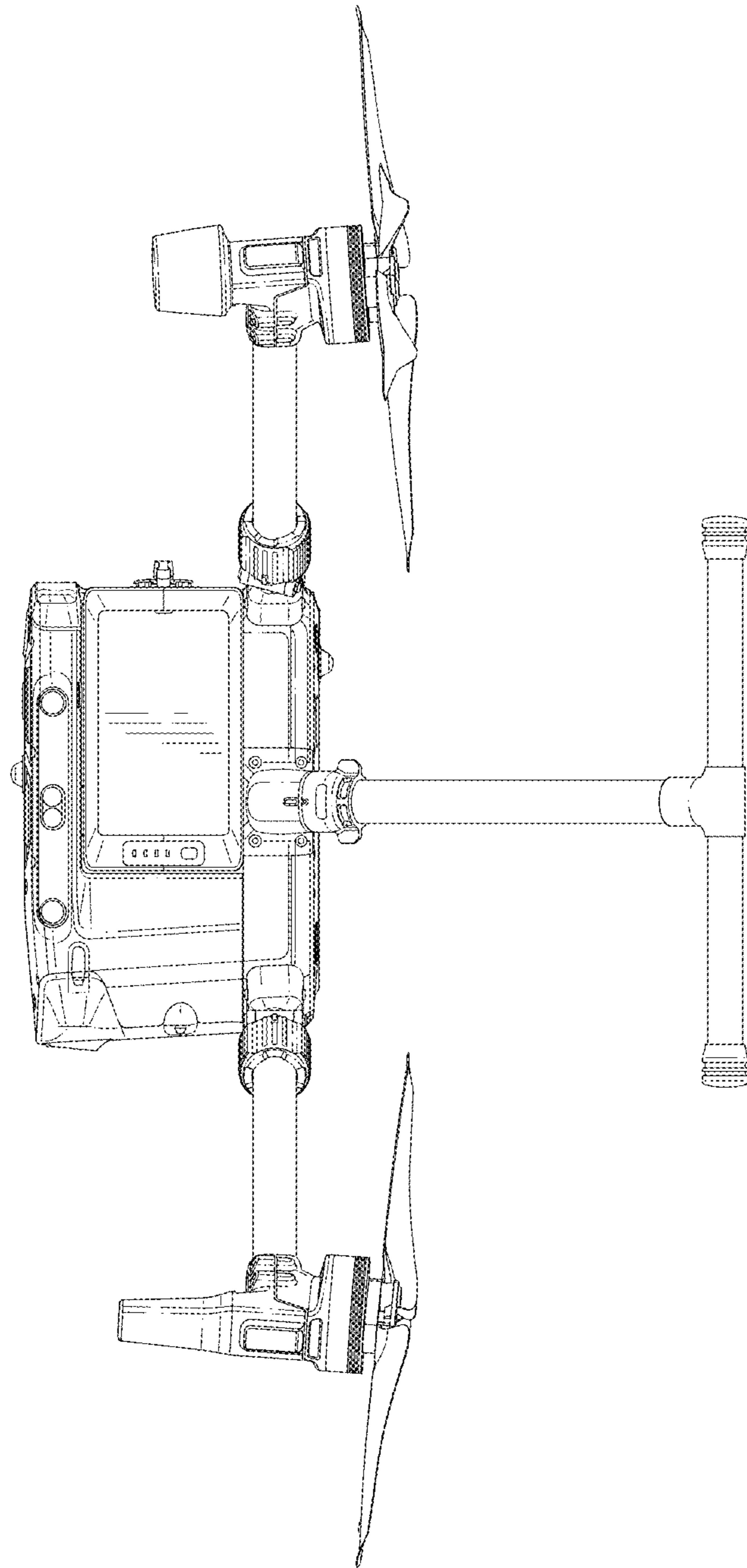


FIG. 6

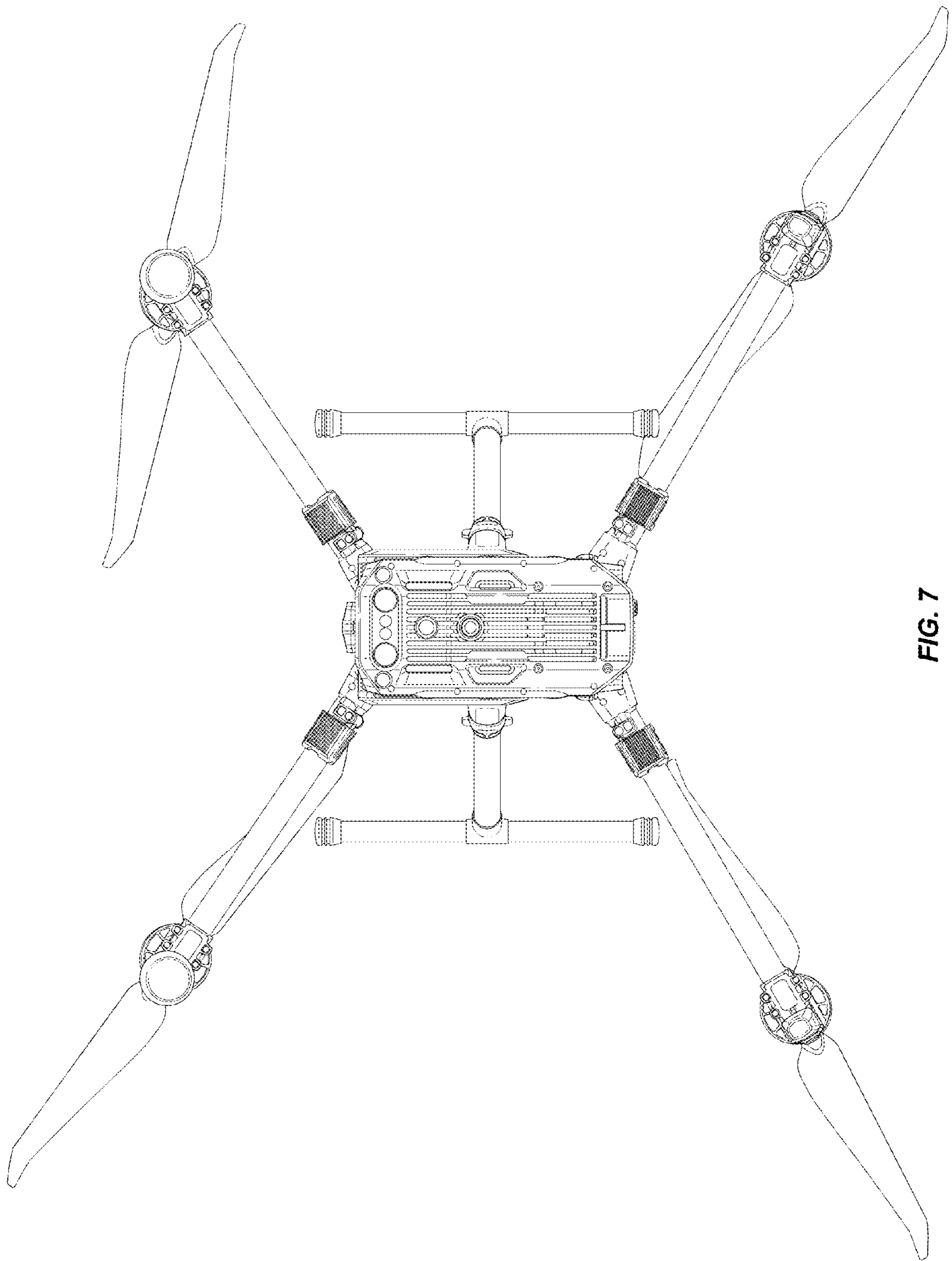


FIG. 7



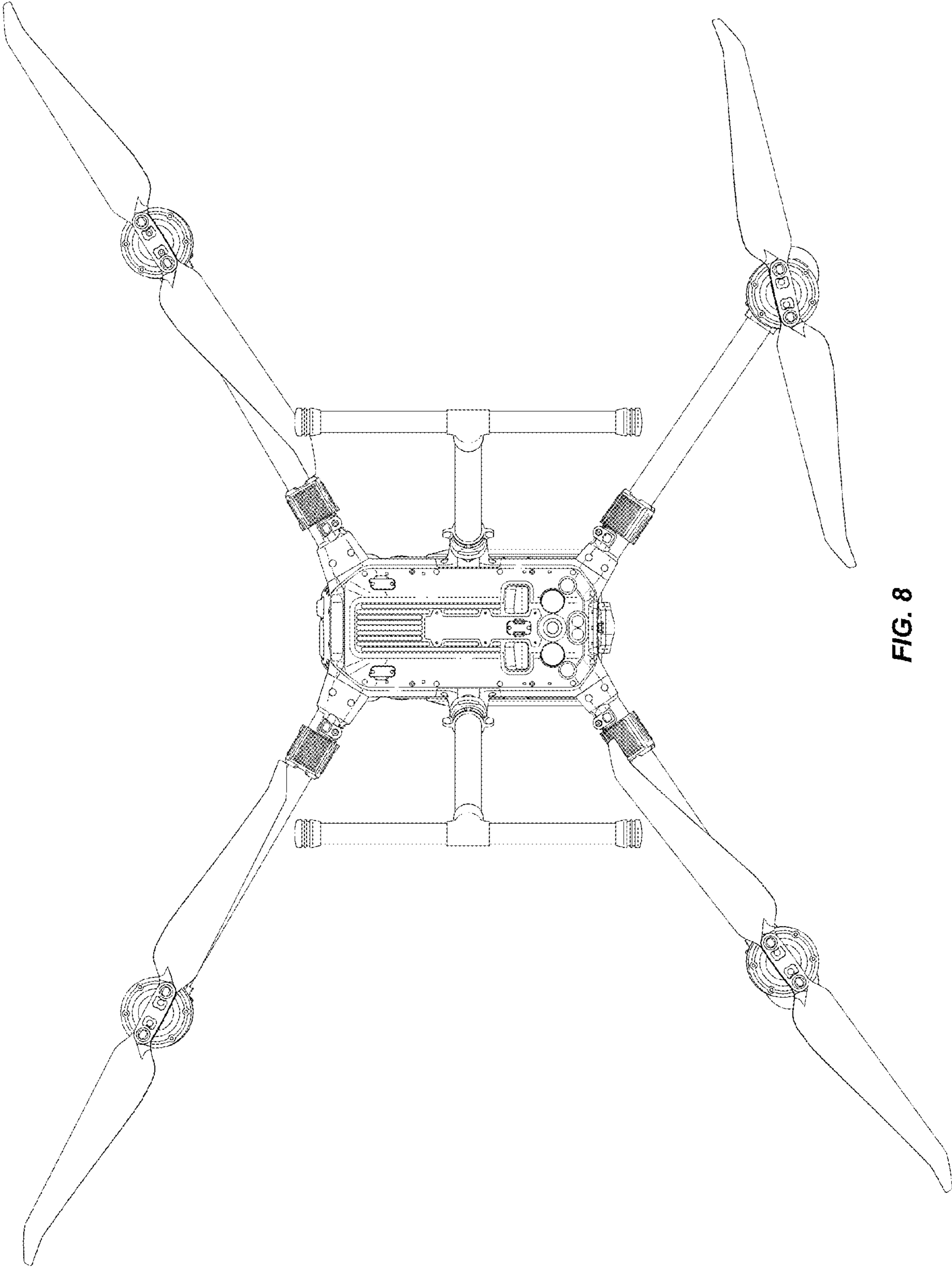


FIG. 8