



US00D944679S

(12) **United States Design Patent**  
**Lopez**

(10) **Patent No.:** **US D944,679 S**  
(45) **Date of Patent:** **\*\* Mar. 1, 2022**

- (54) **TWO-PIECE RING**
- (71) Applicant: **Anthony Lopez**, Harrison, NJ (US)
- (72) Inventor: **Anthony Lopez**, Harrison, NJ (US)
- (\*\*) Term: **15 Years**
- (21) Appl. No.: **29/671,097**
- (22) Filed: **Nov. 22, 2018**
- (51) **LOC (13) Cl.** ..... **11-01**
- (52) **U.S. Cl.**  
USPC ..... **D11/26**
- (58) **Field of Classification Search**  
USPC ..... D11/1–25, 26–39; D29/113, 114;  
D8/40, 18; D22/117  
CPC ..... A44C 5/00; A44C 5/0007; A44C 5/0015;  
A44C 5/0023; A44C 5/003; A44C  
5/0038; A44C 5/0046; A44C 5/0053;  
A44C 5/0061; A44C 5/0084; A44C  
5/0092; A44C 9/00; A44C 9/0007; A44C  
9/0015; A44C 9/0023; A44C 9/003; A44C  
9/0038; A44C 9/0046; A44C 9/0053;  
A44C 9/0061; A44C 9/0069; A44C  
9/0076; A44C 9/0092; A44C 9/02; A44C  
15/00; A44C 1/00; A44C 3/00  
See application file for complete search history.

- D718,172 S \* 11/2014 Makover ..... D11/26
- D786,886 S \* 5/2017 Herrmann ..... D14/480.3
- D871,954 S \* 1/2020 Foster ..... D11/4
- 2017/0122708 A1 \* 5/2017 Gorinas ..... F41H 9/10

**OTHER PUBLICATIONS**

“Woman Ring—925 Sterling Silver—Ceramic—Cubic Zirconia”, by Yael Designs, Found Online on [Feb. 21, 2019] [https://www.bijoux-isady.fr/19606-large\\_default/isady-yael-woman-ring-925-sterling-silver-ceramic-cubic-zirconia.jpg](https://www.bijoux-isady.fr/19606-large_default/isady-yael-woman-ring-925-sterling-silver-ceramic-cubic-zirconia.jpg).  
 “Georg Jensen Fusion Two Piece Ring”, by The Vintage Jeweller, Found Online on [Feb. 21, 2019] [https://www.thevintagejeweller.co.uk/wp-content/uploads/2018/04/IMG\\_7317.jpg](https://www.thevintagejeweller.co.uk/wp-content/uploads/2018/04/IMG_7317.jpg).

(Continued)

*Primary Examiner* — Melanie Pellegrini  
 (74) *Attorney, Agent, or Firm* — LegalForce RAPC  
 Worldwide

(57) **CLAIM**

The ornamental design for a two-piece ring, as shown and described.

**DESCRIPTION**

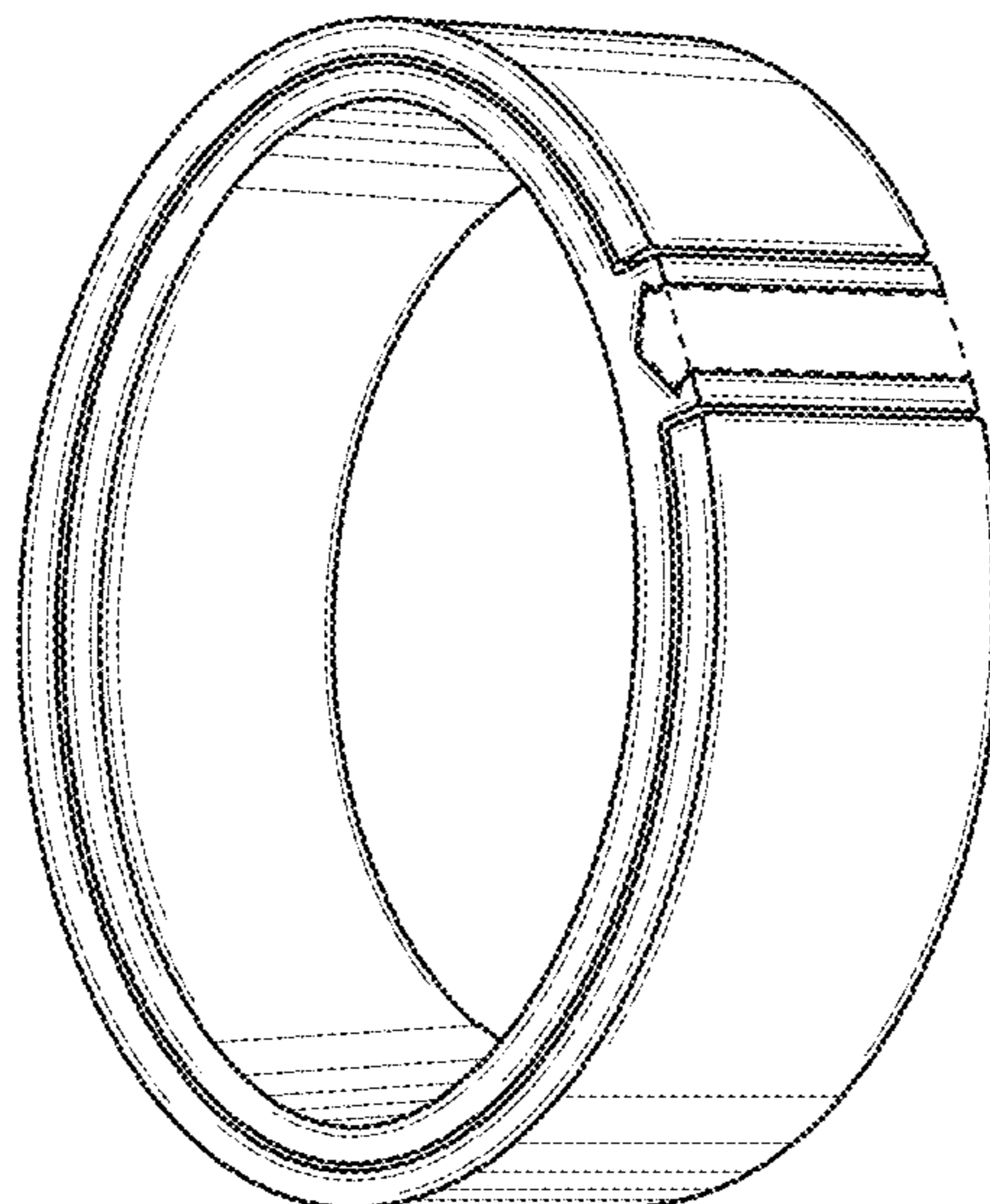
FIG. 1 is a front top perspective view for a two-piece ring, showing my new design in an assembled form, the rear top perspective view being a mirror image;  
 FIG. 2 is a front elevational view of FIG. 1 thereof, the rear elevational view being a mirror image;  
 FIG. 3 is a left side elevational view of FIG. 1 thereof, the right side elevational view being a mirror image;  
 FIG. 4 is a top plan view of FIG. 1 thereof;  
 FIG. 5 is a bottom plan view of FIG. 1 thereof;  
 FIG. 6 is a front top perspective view of the two-piece ring of FIG. 1 in a partially separated form thereof; and,  
 FIG. 7 is an exploded view of the two-piece ring of FIG. 1 thereof showing the two segments separated apart.  
 The broken lines indicate unclaimed portions of the design and form no part of the claimed design.

**1 Claim, 7 Drawing Sheets**

(56) **References Cited**

**U.S. PATENT DOCUMENTS**

- D254,537 S 3/1980 Abelson
- D309,276 S 7/1990 Mejias
- D423,392 S 4/2000 Dyck
- D437,565 S \* 2/2001 Grisoni ..... D11/26
- 6,574,989 B1 \* 6/2003 Lampert ..... A44C 9/003  
63/15
- D511,986 S \* 11/2005 Aghjayan ..... D11/26
- D588,489 S 3/2009 Kizys
- D623,056 S \* 9/2010 Sessa ..... D9/434
- 8,661,848 B2 3/2014 Bisserier
- D712,774 S 9/2014 Cheah



(56)

**References Cited**

OTHER PUBLICATIONS

“Round Cut Two Toned Stainless steel 2 Piece Wedding Ring”, by FlameReflection, Found Online on [Feb. 21, 2019] [https://images-na.ssl-images-amazon.com/images/I/61ujRyfmLjL.\\_UY395\\_.jpg](https://images-na.ssl-images-amazon.com/images/I/61ujRyfmLjL._UY395_.jpg).

“Two Piece Claddagh Ring”, by Celtic Wedding Rings, Found Online on [Feb. 21, 2019] [https://www.celtic-weddingrings.com/404-large\\_default/Two-Piece-Claddagh-Ring.jpg](https://www.celtic-weddingrings.com/404-large_default/Two-Piece-Claddagh-Ring.jpg).

\* cited by examiner

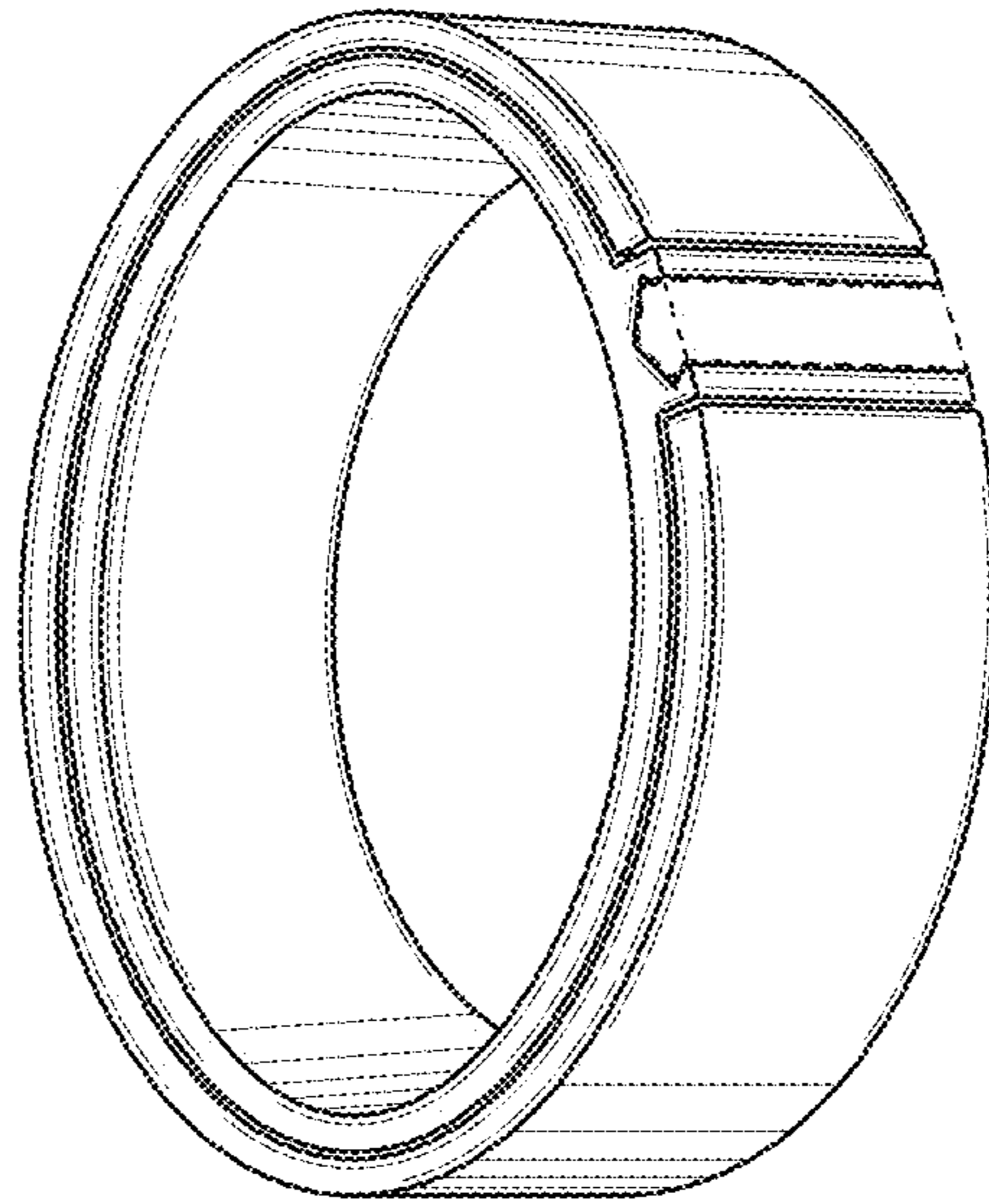


FIG. 1

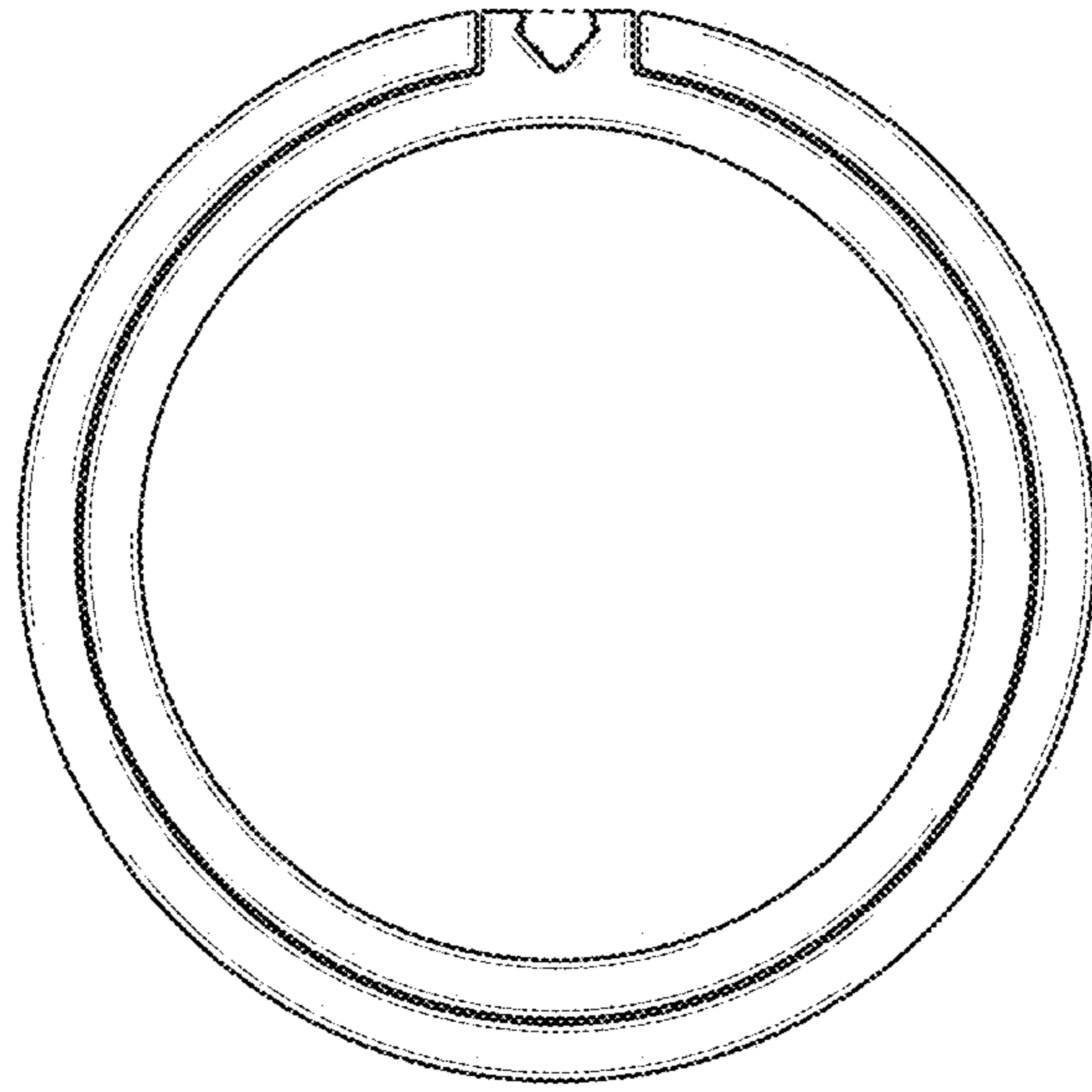
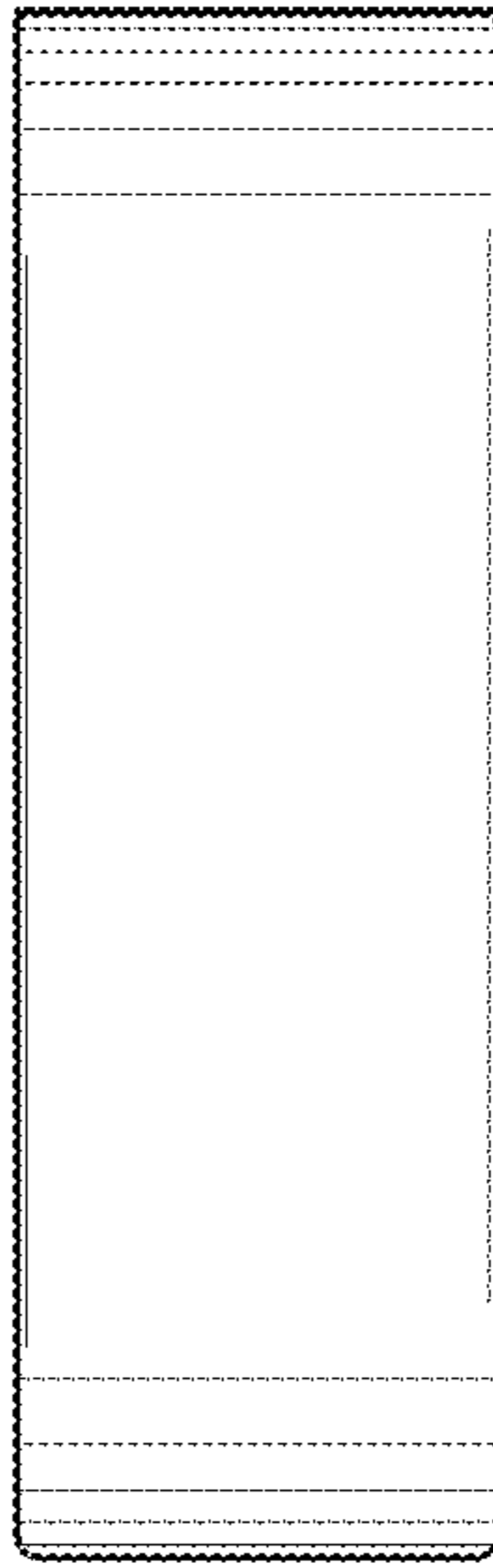


FIG. 2



**FIG. 3**

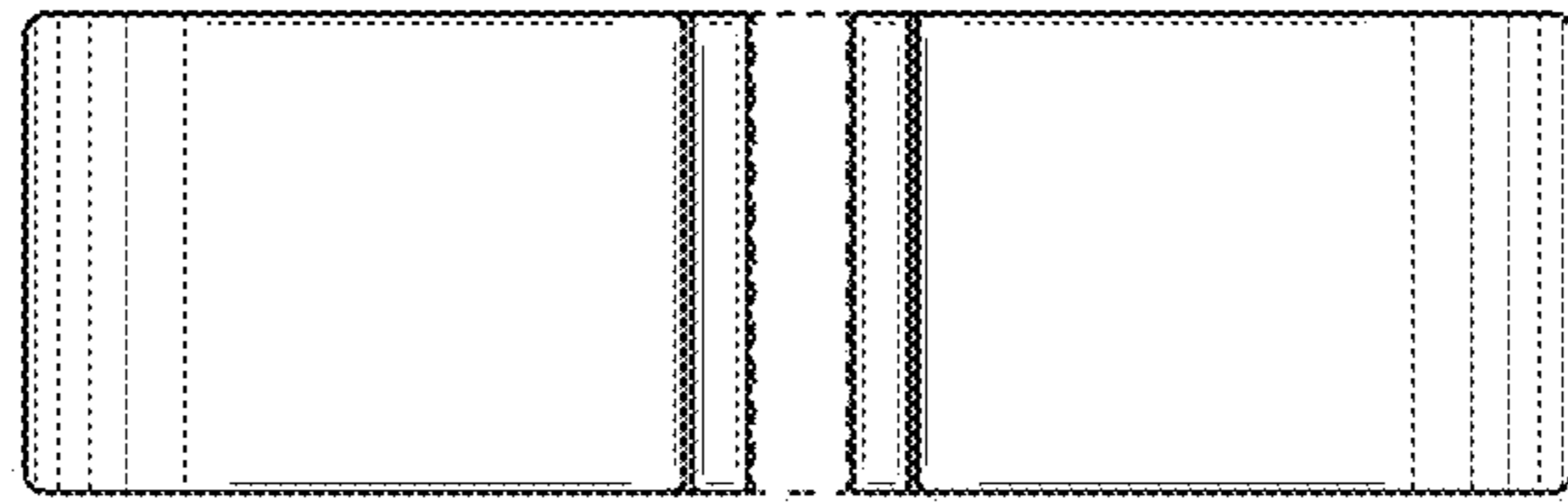


FIG. 4



**FIG. 5**

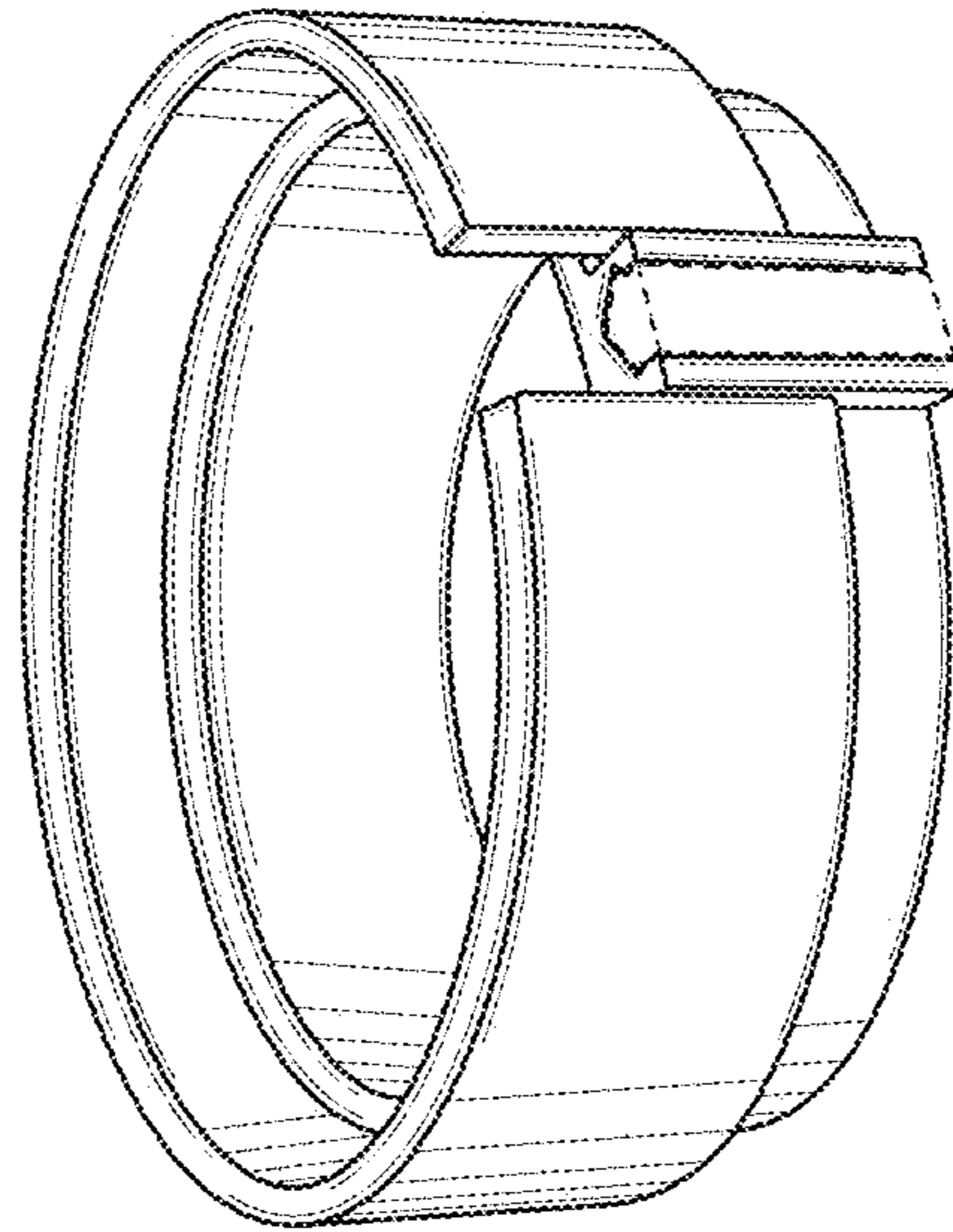
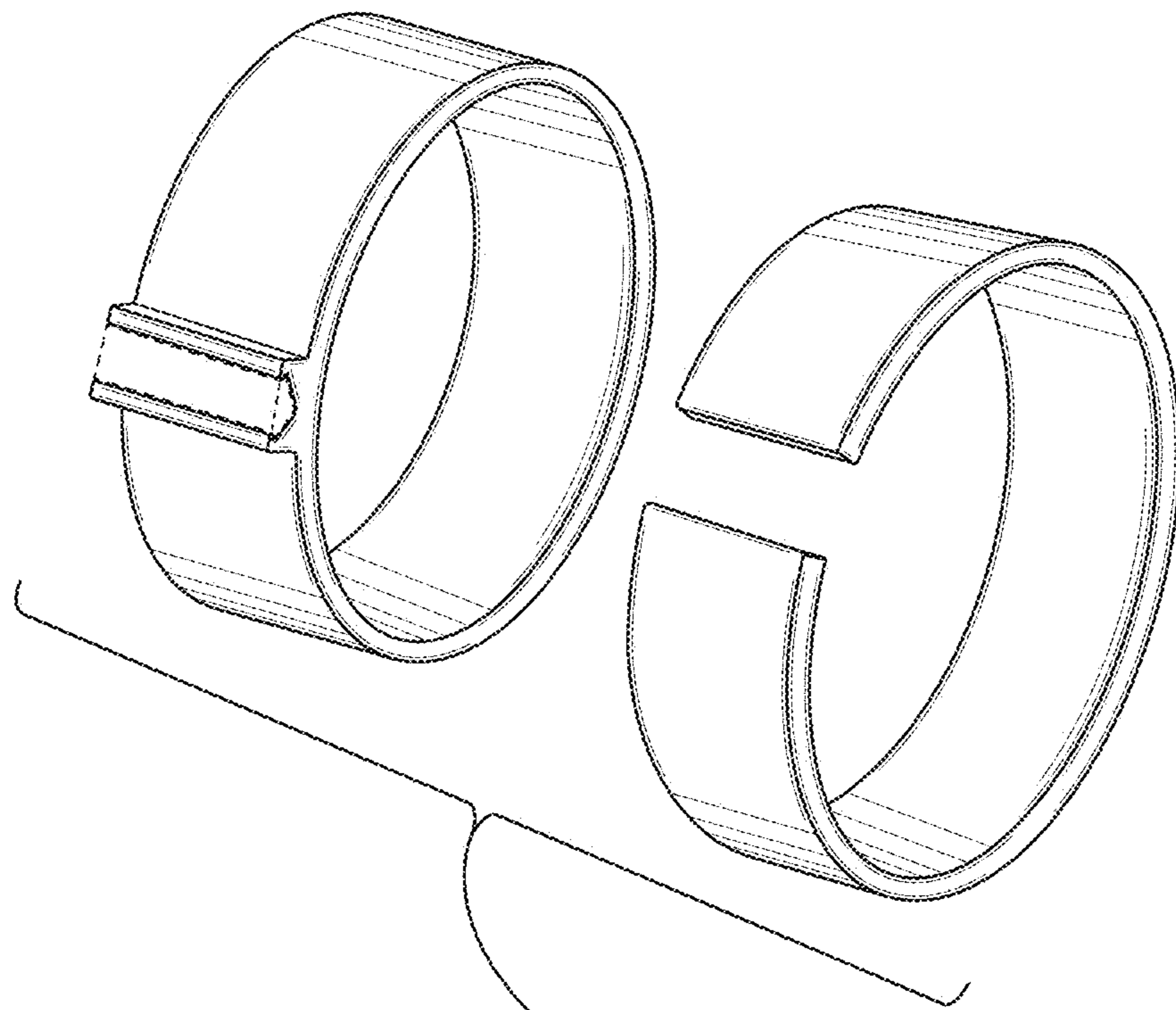


FIG. 6





**FIG. 7**