



US00D944676S

(12) **United States Design Patent**
Scalisi et al.

(10) **Patent No.:** **US D944,676 S**
(45) **Date of Patent:** **** Mar. 1, 2022**

- (54) **OUTDOOR SECURITY SYSTEM**
- (71) Applicant: **SkyBell Technologies, Inc.**, Irvine, CA (US)
- (72) Inventors: **Joseph Frank Scalisi**, Yorba Linda, CA (US); **Joon Sung**, Riverside, CA (US)
- (73) Assignee: **SKYBELL TECHNOLOGIES IP, LLC**, Irvine, CA (US)
- (**) Term: **15 Years**
- (21) Appl. No.: **29/725,150**
- (22) Filed: **Feb. 21, 2020**
- (51) **LOC (13) Cl.** **10-05**
- (52) **U.S. Cl.**
USPC **D10/106.6**
- (58) **Field of Classification Search**
USPC D10/106.6, 106.7, 104.1, 104.2;
D16/203; D26/52, 67
CPC G08B 13/19619; G08B 13/19626; G08B 13/19628; G08B 13/19666; G08B 13/19663; G08B 13/19684; G08B 13/19695; G08B 15/001; G08B 25/014; G08B 25/08; G08B 5/38
See application file for complete search history.

(56) **References Cited**
U.S. PATENT DOCUMENTS

D179,803	S	3/1957	Gillette	
3,240,113	A	3/1966	Stechemesser	
D316,758	S *	5/1991	Kira	D26/104
D327,750	S *	7/1992	Klaus	D26/68
D377,229	S *	1/1997	Shalvi	D26/104
5,774,569	A	6/1998	Waldenmaier	
D444,253	S *	6/2001	Blanchard	D26/67
6,375,366	B1	4/2002	Kato	
7,826,729	B2	11/2010	Cullen	
7,991,575	B2	8/2011	Vogel	

D660,492	S *	5/2012	Williams	D26/68
D728,655	S	5/2015	Yang	
9,674,433	B1	6/2017	De La Cruz	
9,810,887	B1	11/2017	Abdala	
D837,432	S *	1/2019	Ahrari	D26/68
D925,089	S *	7/2021	Ahrari	D26/67
2003/0081952	A1	5/2003	Geng	
2009/0213208	A1	8/2009	Glatt	
2011/0264405	A1	10/2011	Vogel	
2012/0320150	A1	12/2012	Montgomery	
2017/0023780	A1	1/2017	Braker	
2019/0086772	A1*	3/2019	Scalisi	G03B 37/06
2020/0143644	A1*	5/2020	Scalisi	G08B 13/19619

* cited by examiner

Primary Examiner — George D. Kirschbaum

Assistant Examiner — Lillian Windham

(74) *Attorney, Agent, or Firm* — Wesley E. Schwie, Esq.; Gallium Law

(57) **CLAIM**

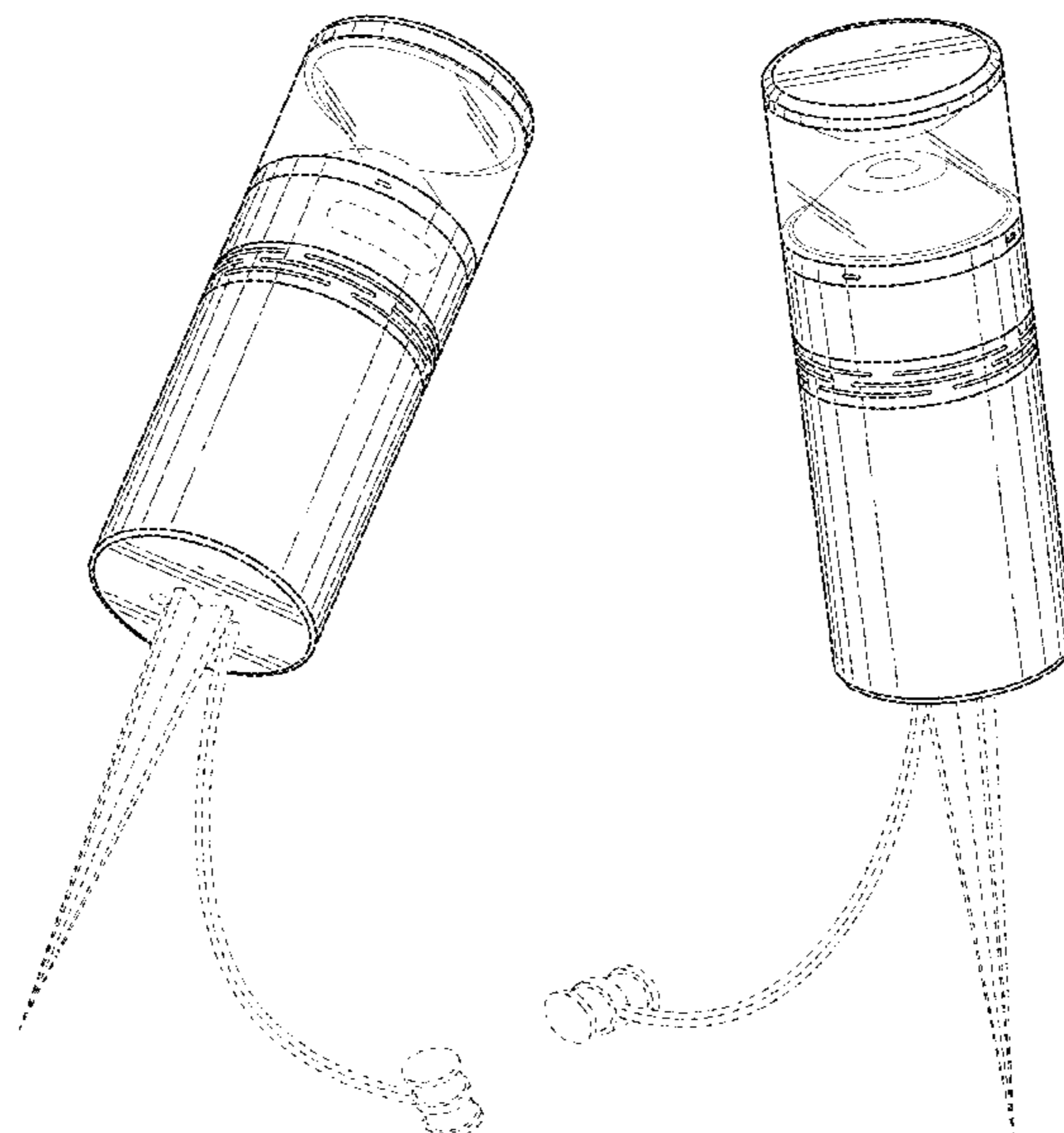
The ornamental design for an outdoor security system, as shown and described.

DESCRIPTION

FIG. 1 is a front, first side, and bottom perspective view of an outdoor security system embodying the new design; FIG. 2 is a back, first side, and top perspective view thereof; FIG. 3 is a second side perspective view thereof; FIG. 4 is a top perspective view thereof; FIG. 5 is a first side view thereof; FIG. 6 is a front view thereof; FIG. 7 is a second side view thereof; FIG. 8 is a back view thereof; FIG. 9 is a top view thereof; and, FIG. 10 is a bottom view thereof.

The uniform repeating broken lines depict portions of an outdoor security system in which the claimed design is embodied and form no part of the claimed design.

1 Claim, 10 Drawing Sheets



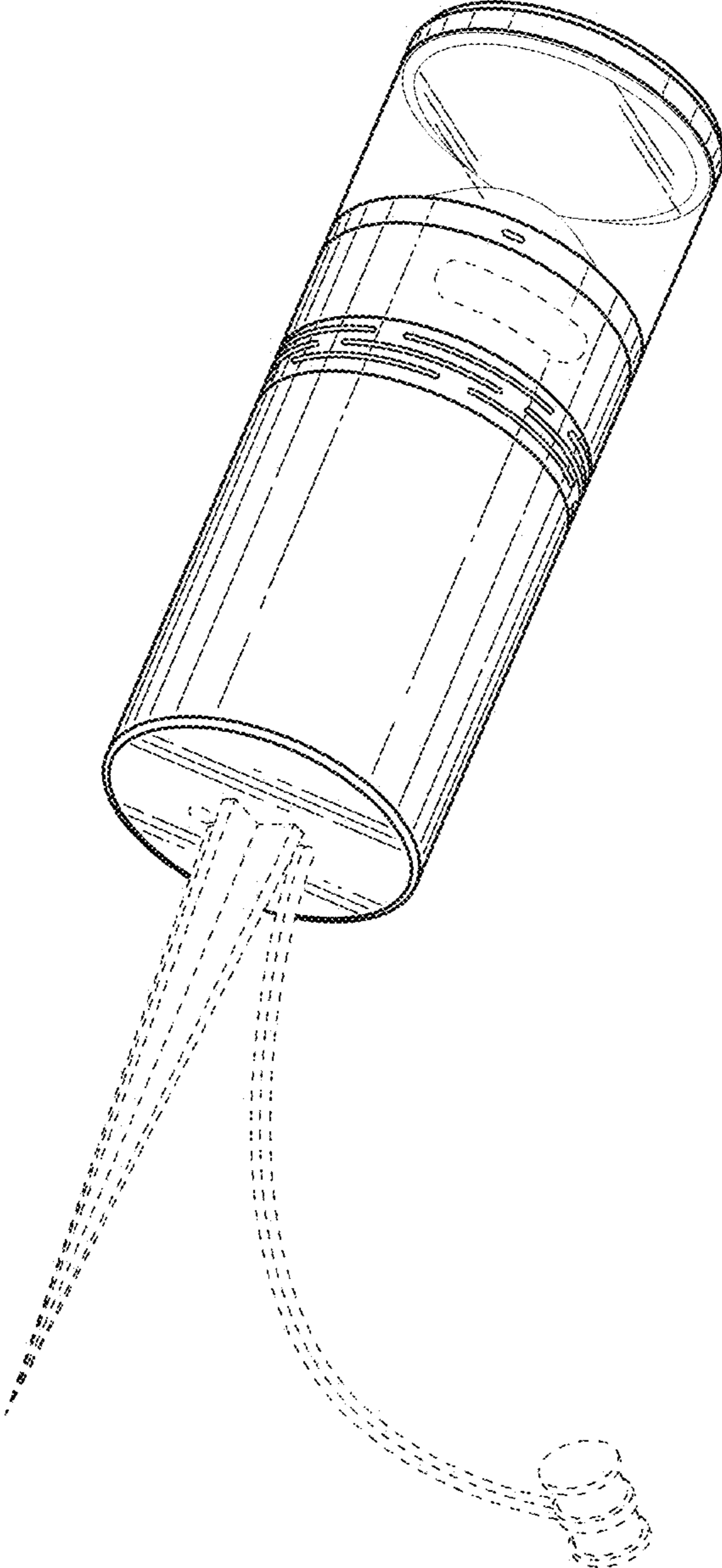


FIG. 1

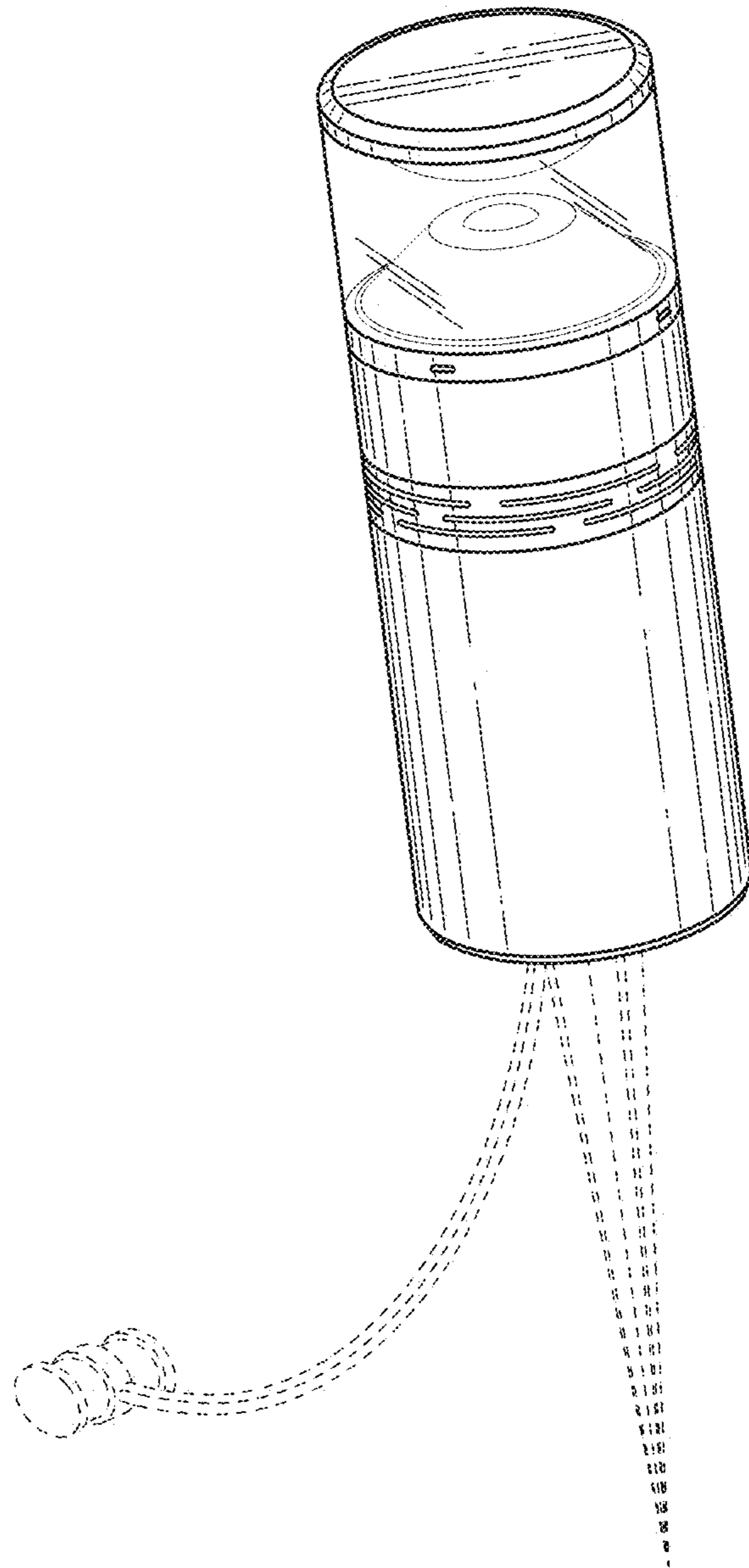


FIG. 2

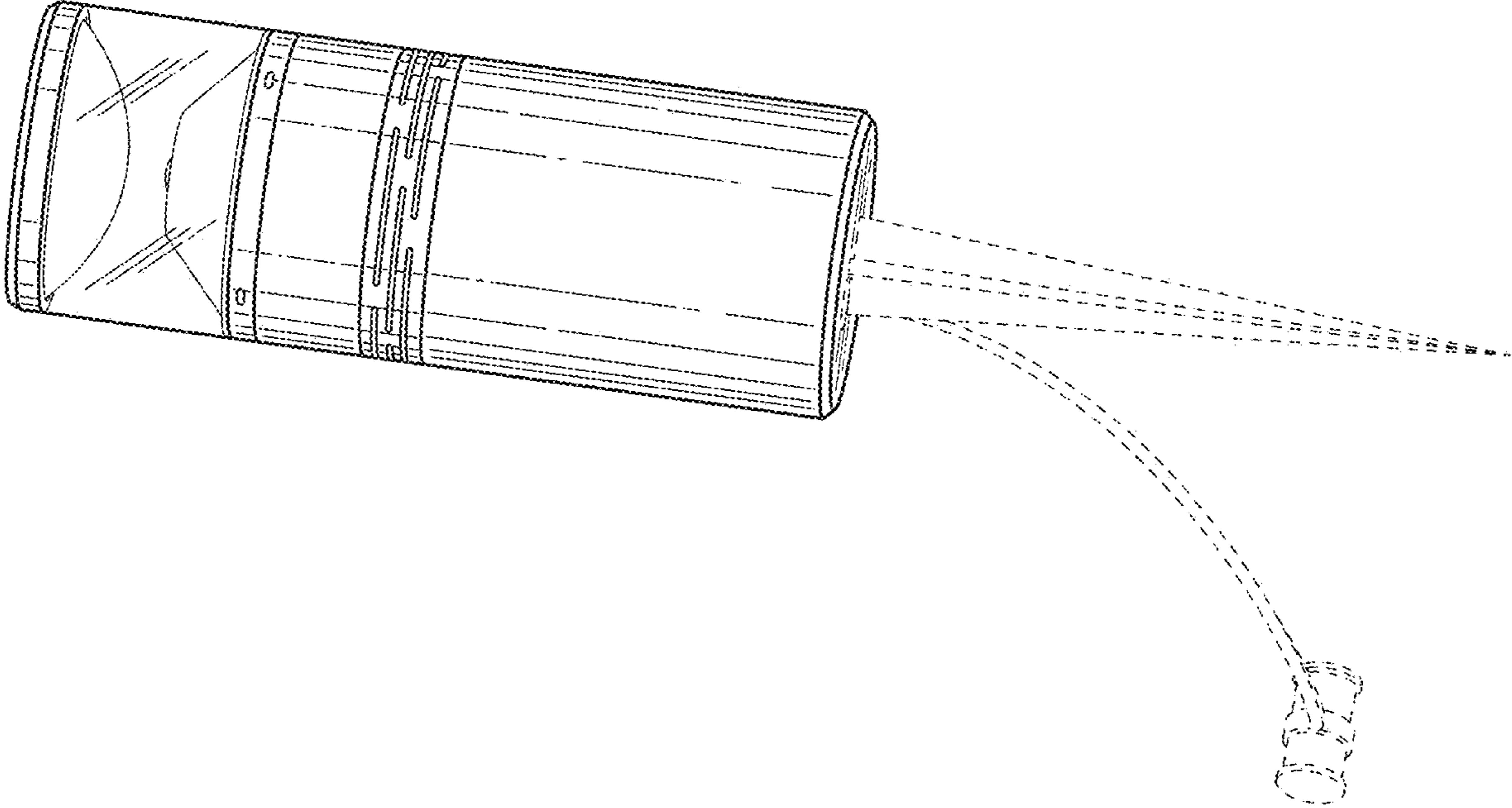


FIG. 3

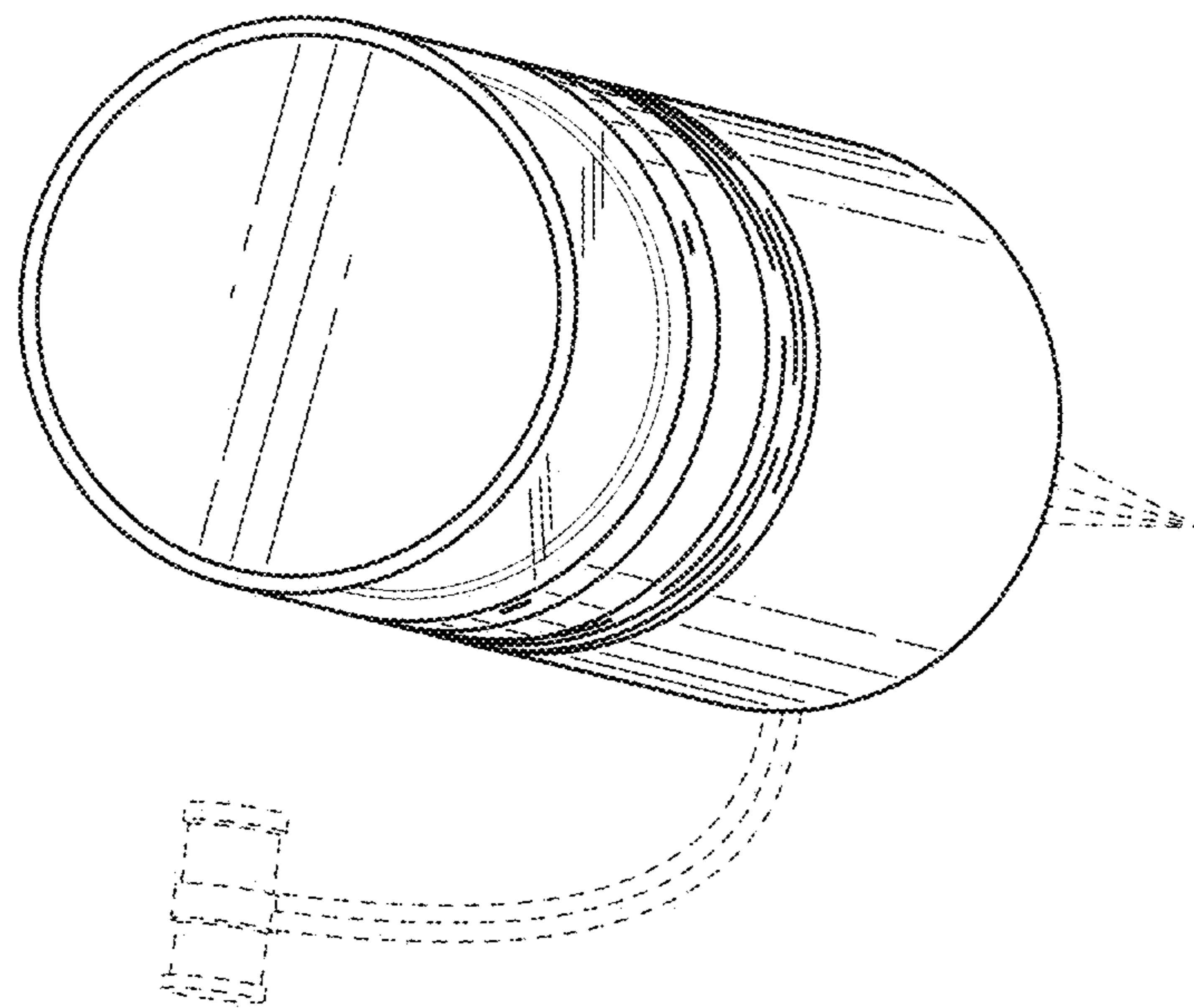


FIG. 4

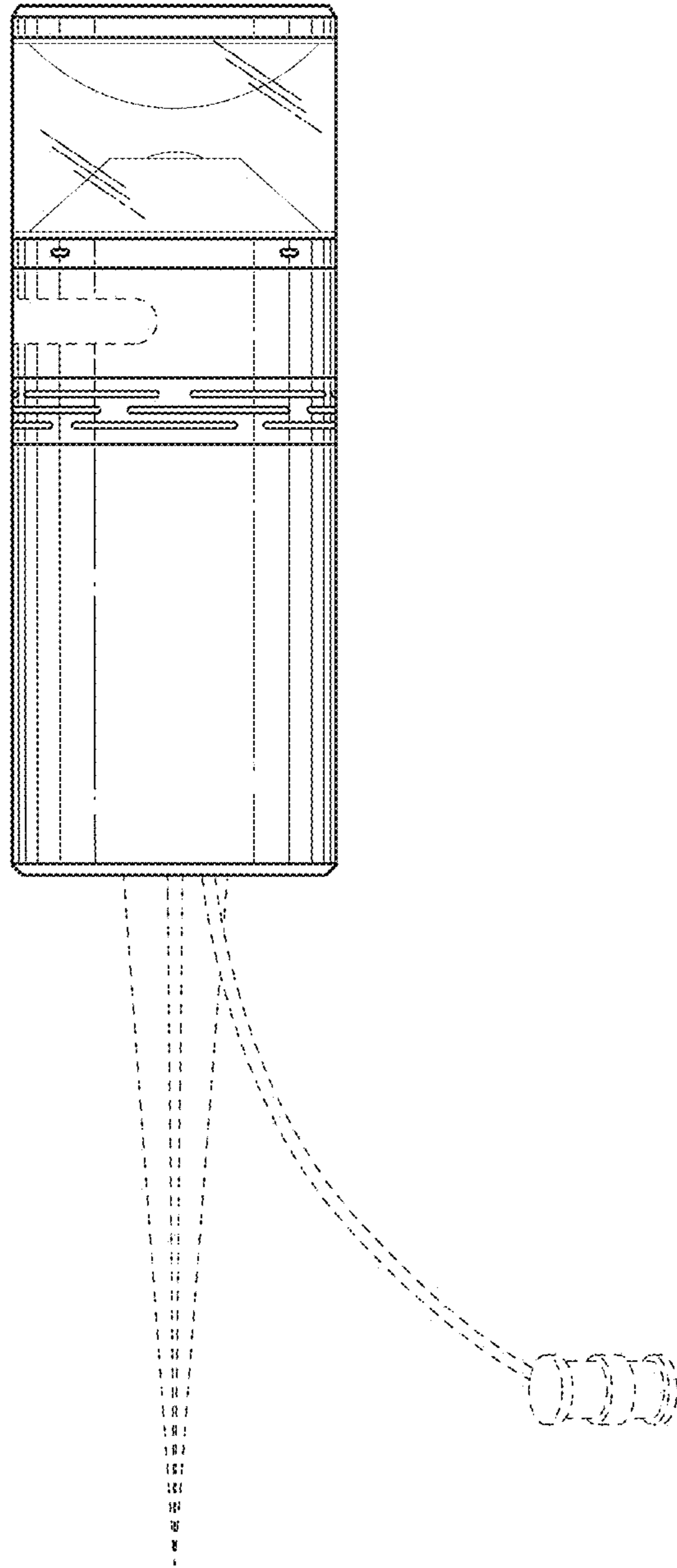


FIG. 5

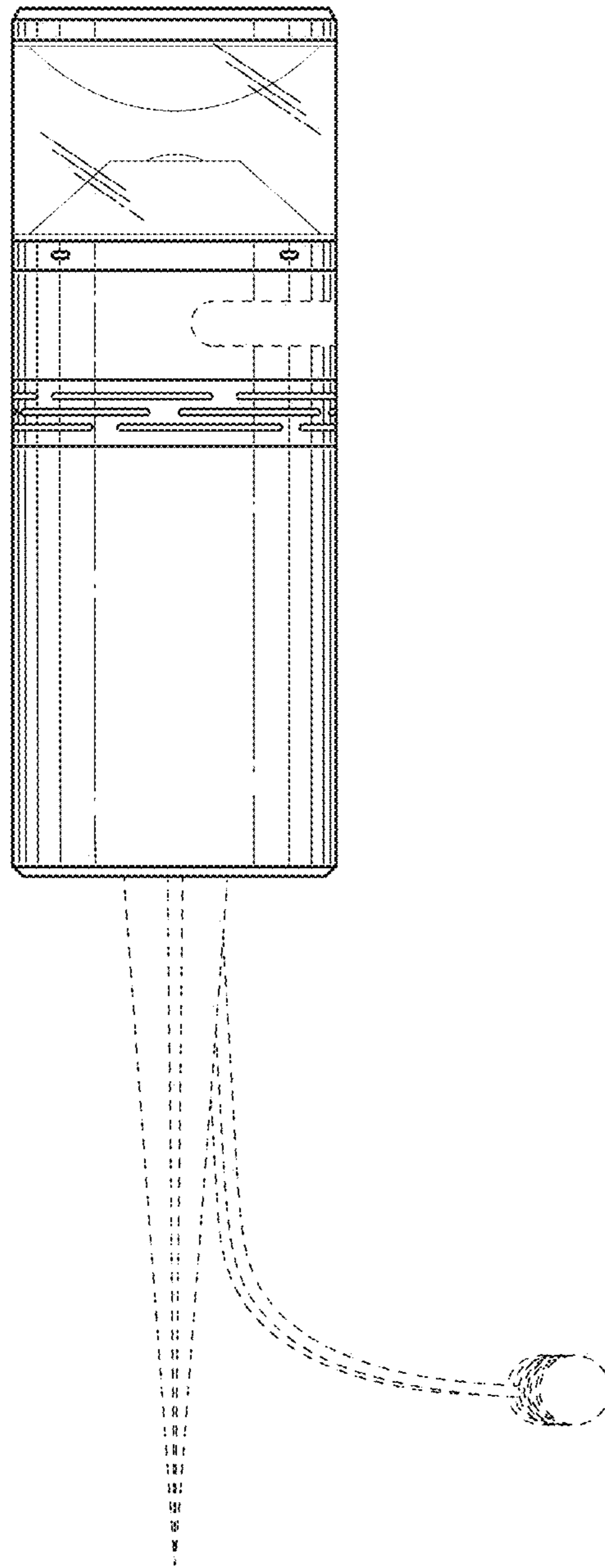


FIG. 6

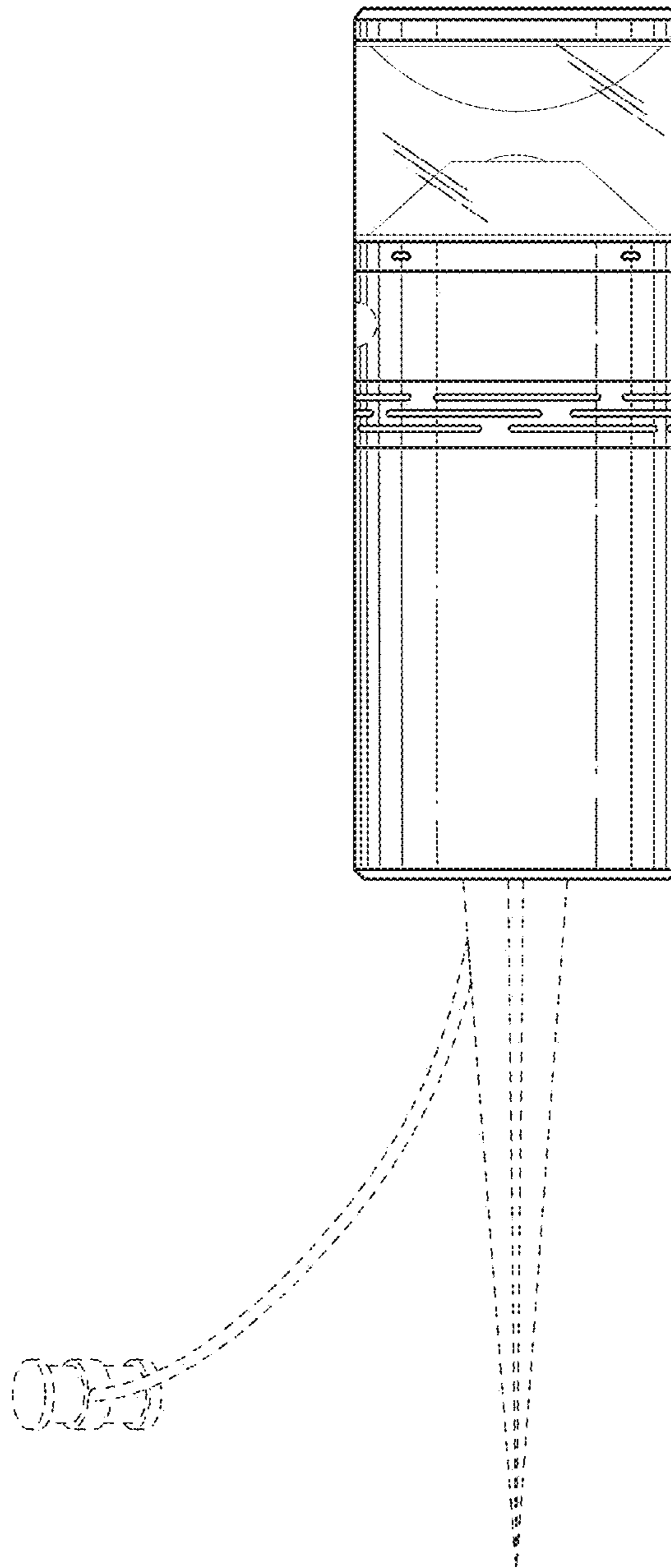


FIG. 7

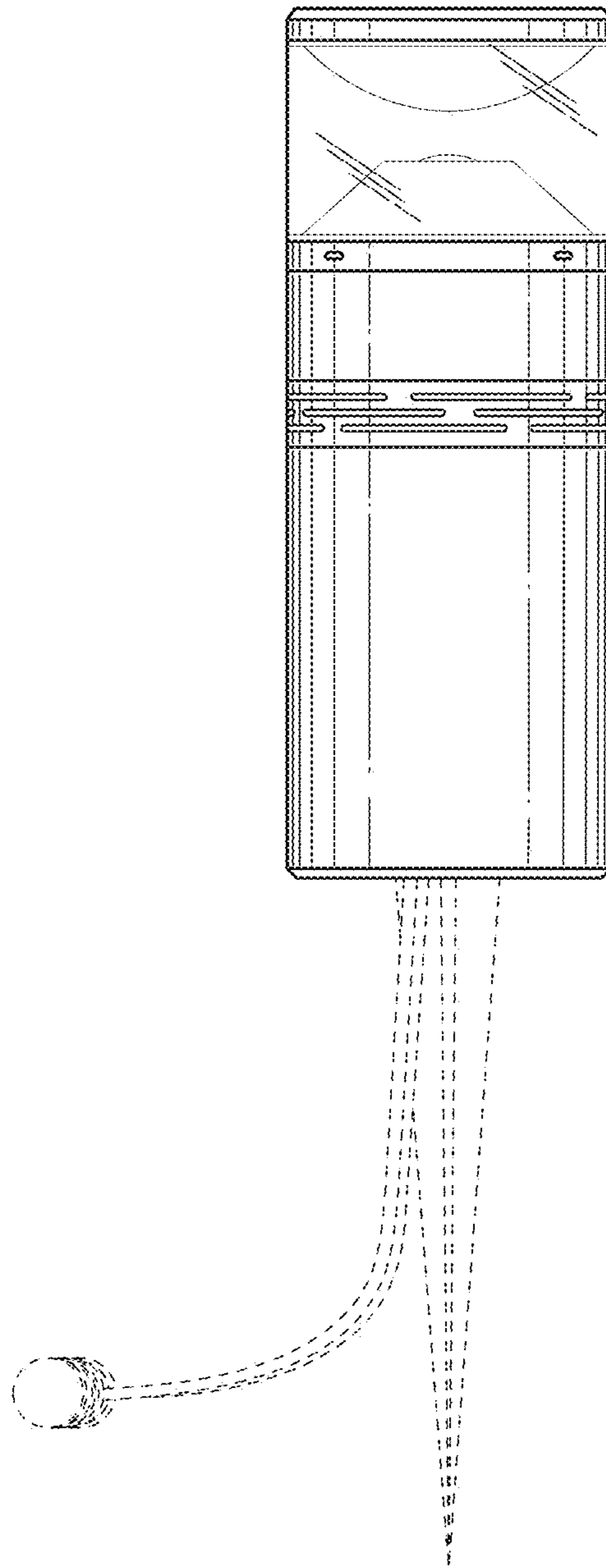


FIG. 8

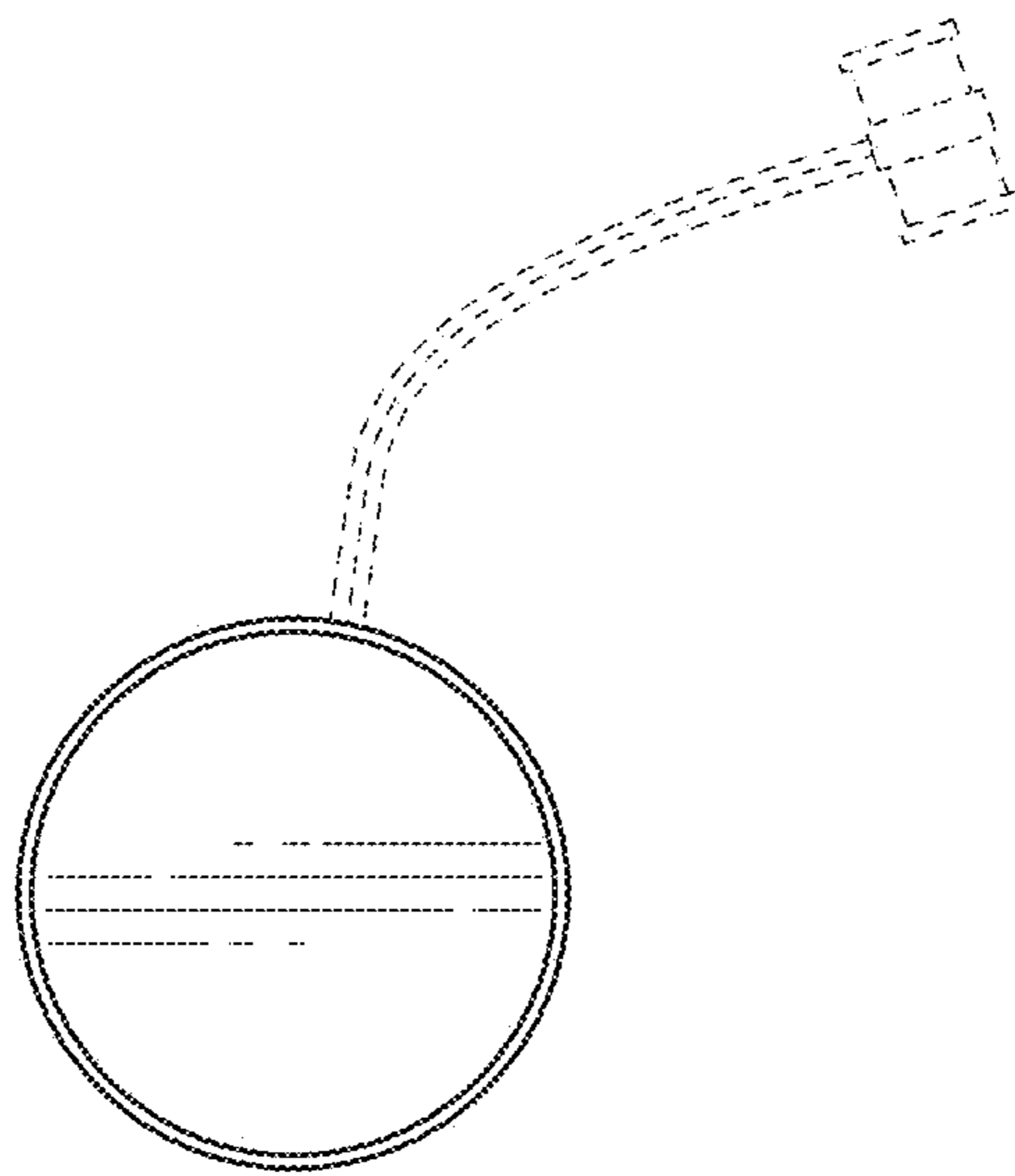


FIG. 9

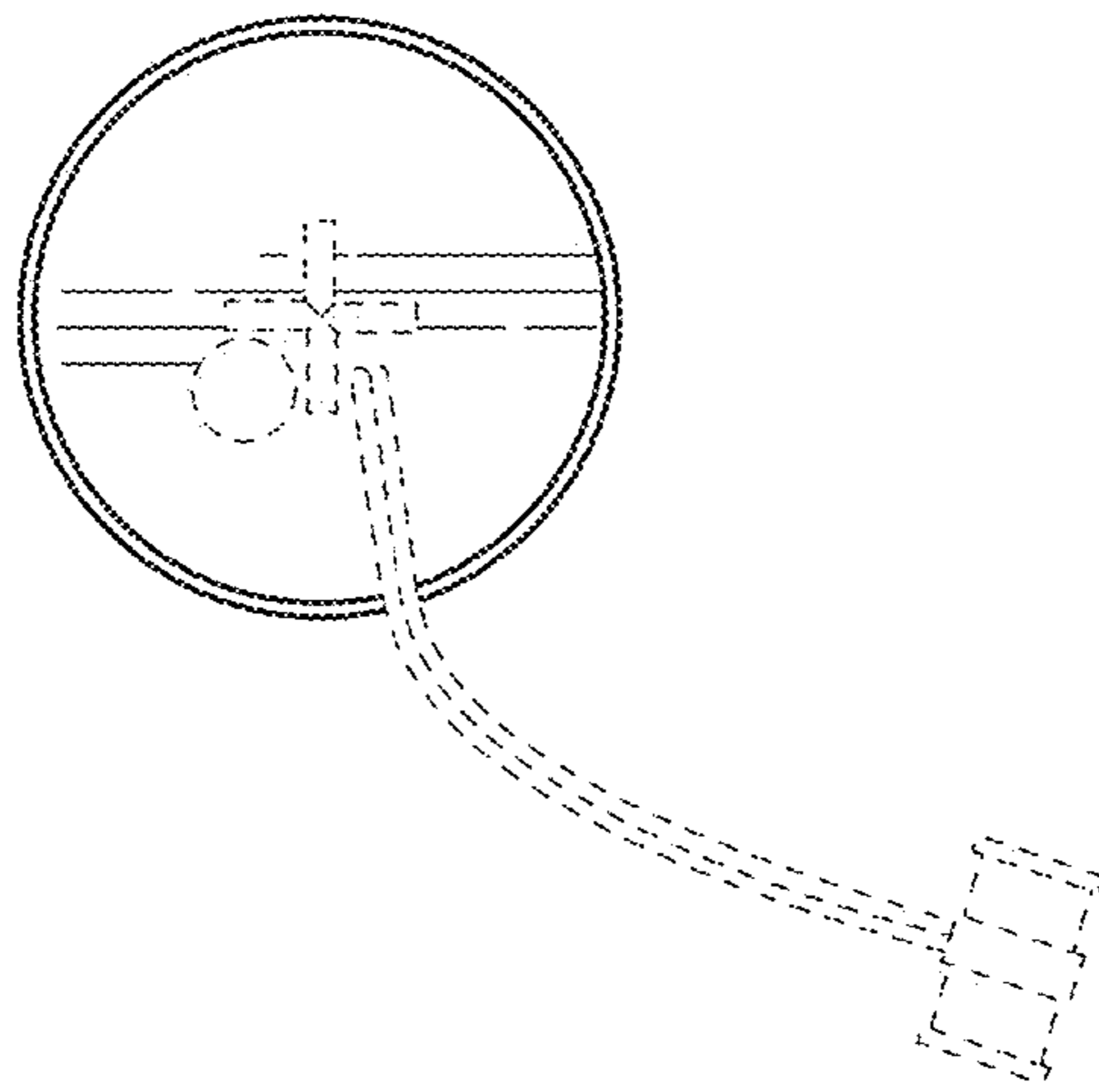


FIG. 10