



US00D944674S

(12) **United States Design Patent**
Cohen

(10) **Patent No.:** **US D944,674 S**
(45) **Date of Patent:** **** Mar. 1, 2022**

(54) **FLUID CONTROLLING AND MONITORING DEVICE**

D906,847 S * 1/2021 Wurts D10/96
D914,524 S * 3/2021 Kurisaki D10/96
D928,915 S * 8/2021 Okawara D23/233
D929,542 S * 8/2021 Okawara D23/233

(71) Applicant: **Yogev Cohen**, Holon (IL)

* cited by examiner

(72) Inventor: **Yogev Cohen**, Holon (IL)

Primary Examiner — George D. Kirschbaum

(**) Term: **15 Years**

(21) Appl. No.: **35/510,845**

(22) Filed: **Nov. 12, 2020**

(57) **CLAIM**

(80) **Hague Agreement Data**

The ornamental design for a fluid controlling and monitoring device, as shown and described.

Int. Filing Date: **Nov. 12, 2020**

Int. Reg. No.: **DM/211273**

Int. Reg. Date: **Nov. 12, 2020**

Int. Reg. Pub. Date: **Nov. 27, 2020**

DESCRIPTION

(51) **LOC (13) Cl.** **10-04**

1. Fluid controlling and monitoring device

(52) **U.S. Cl.**
USPC **D10/96**

1.1 : Perspective

1.2 : Top

1.3 : Left

1.4 : Front

1.5 : Right

1.6 : Back

1.7 : Bottom

1.8 : Perspective

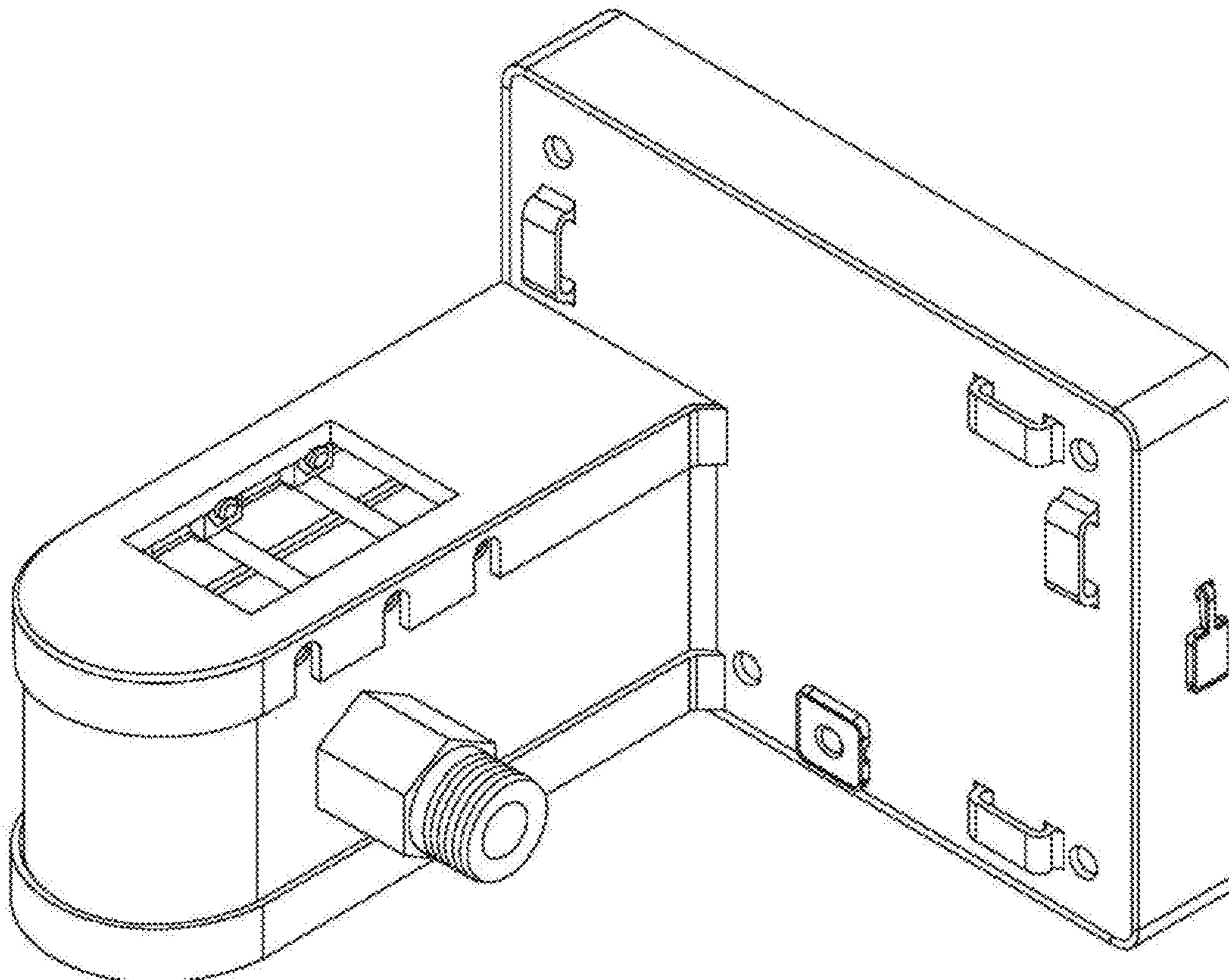
(58) **Field of Classification Search**
USPC D10/96, 97, 99; D23/233
See application file for complete search history.

(56) **References Cited**

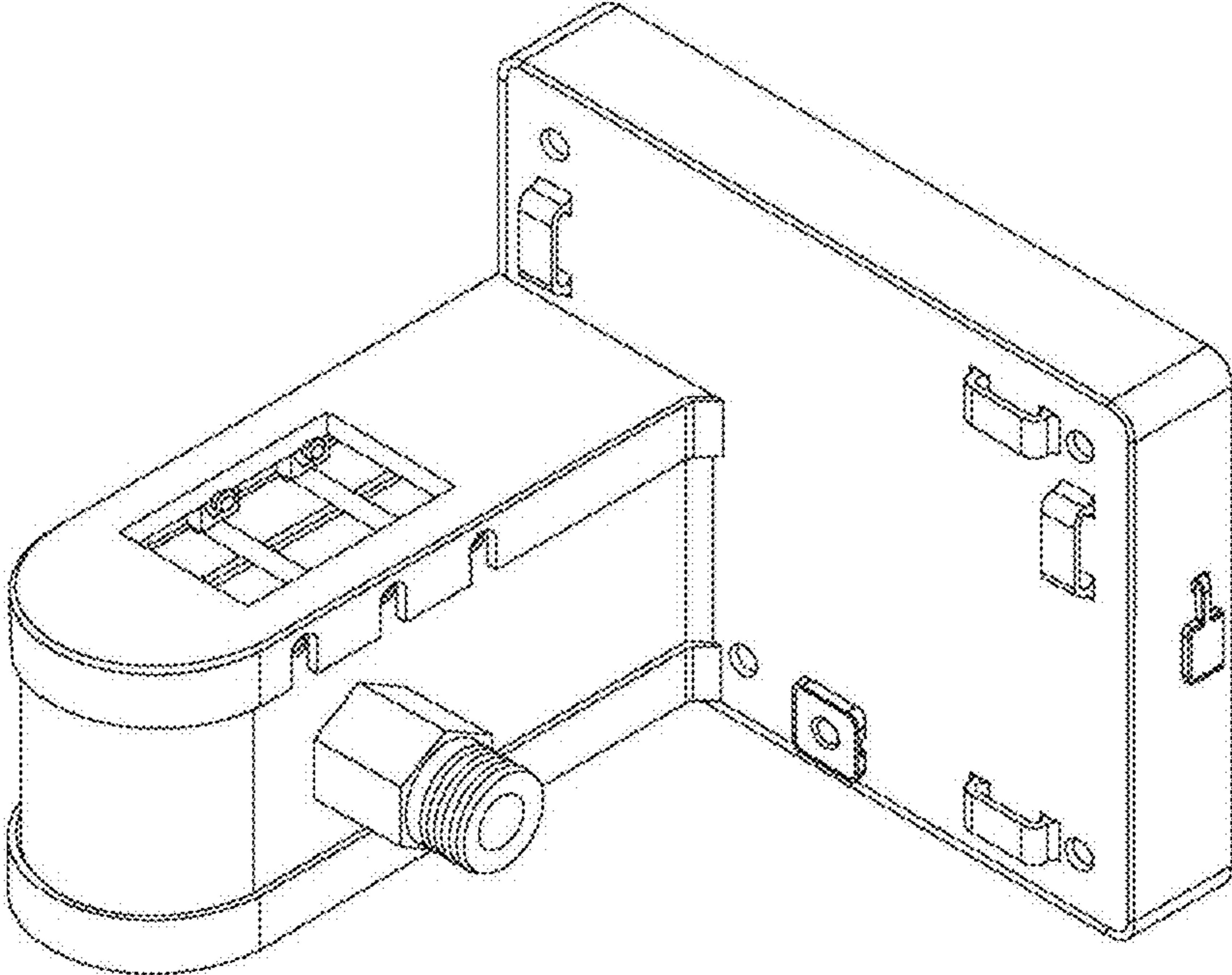
U.S. PATENT DOCUMENTS

D458,170 S * 6/2002 Kaura D10/96
D838,614 S * 1/2019 Tschudin D10/96

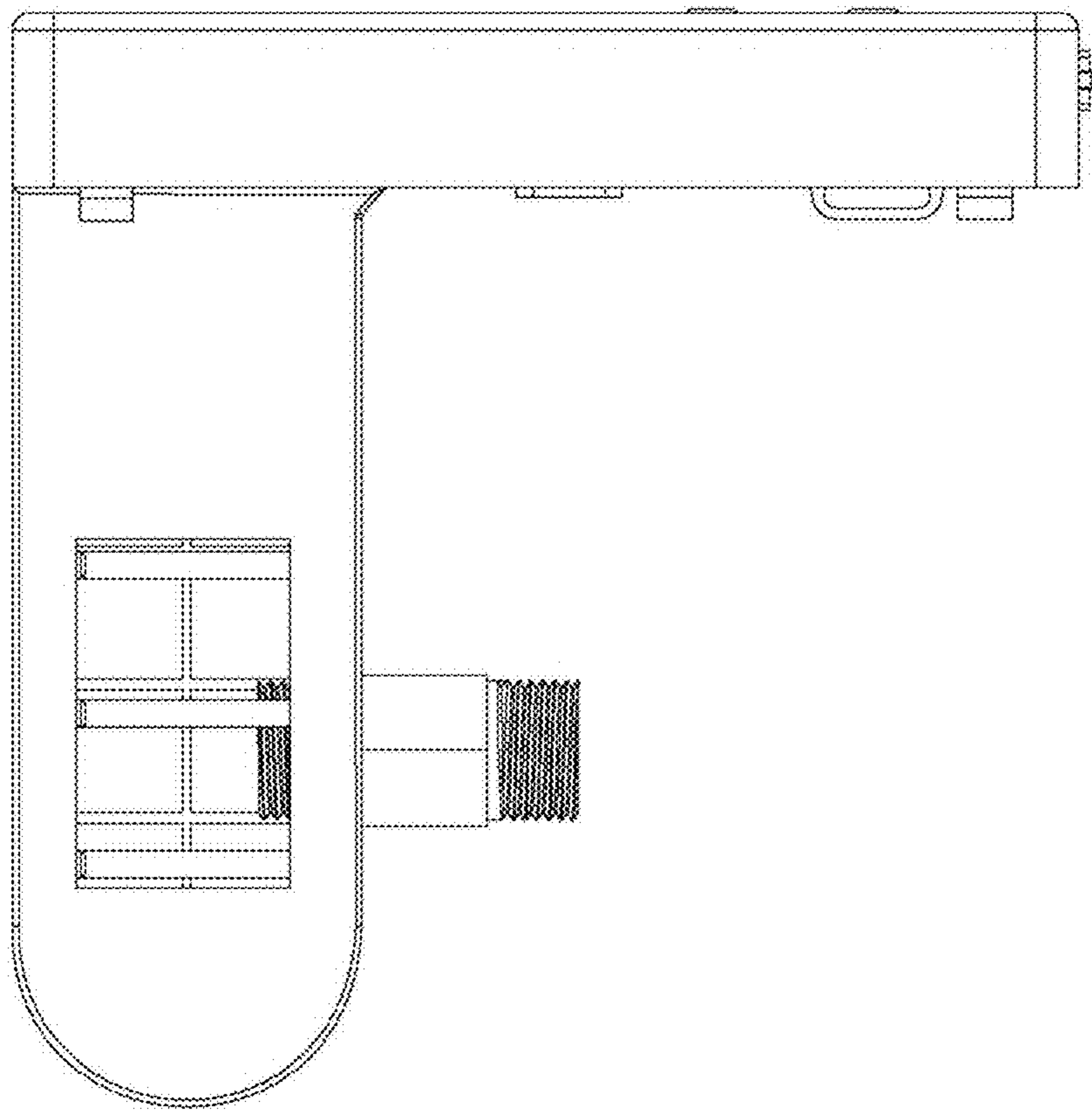
1 Claim, 8 Drawing Sheets



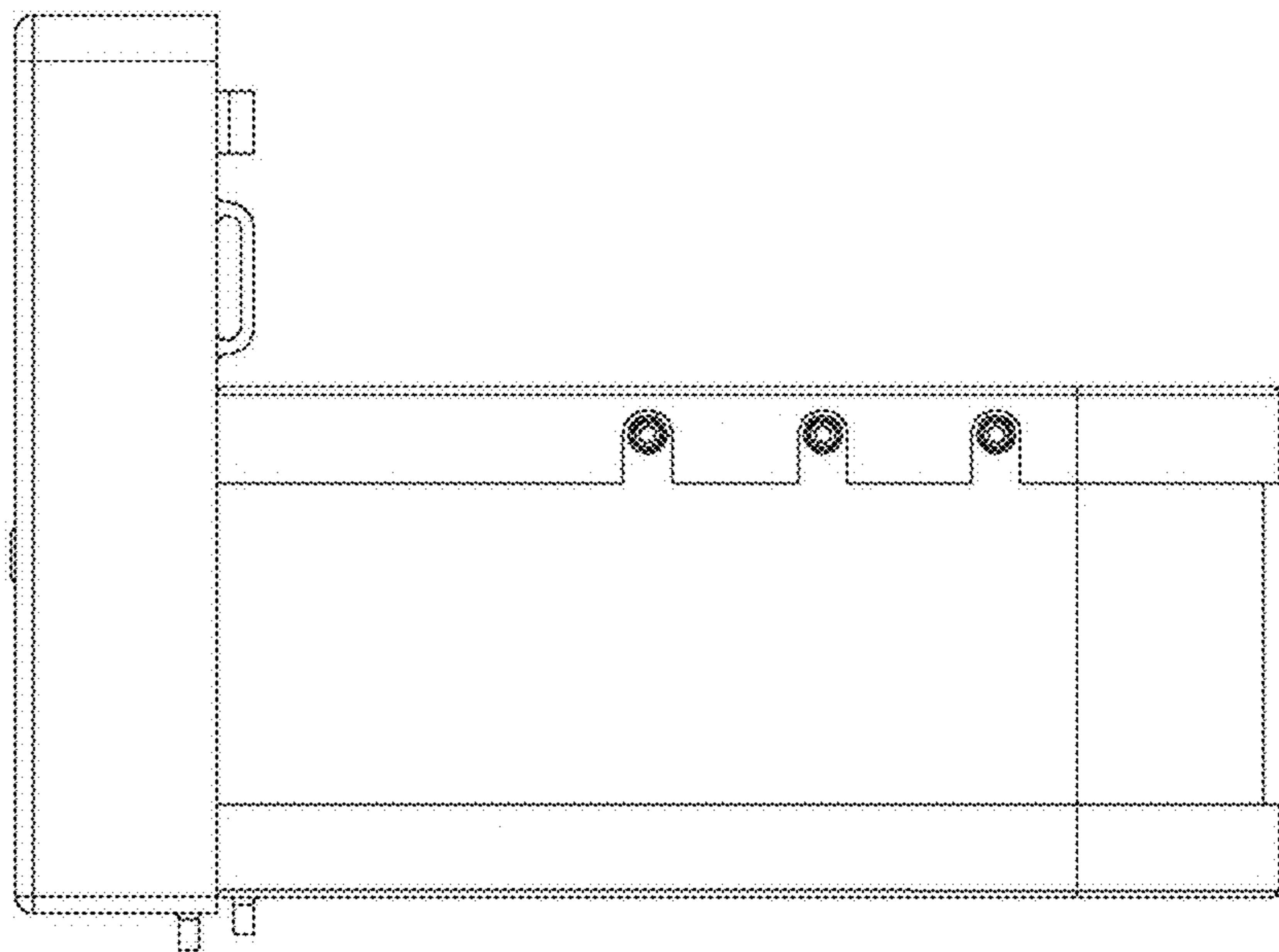
1.1



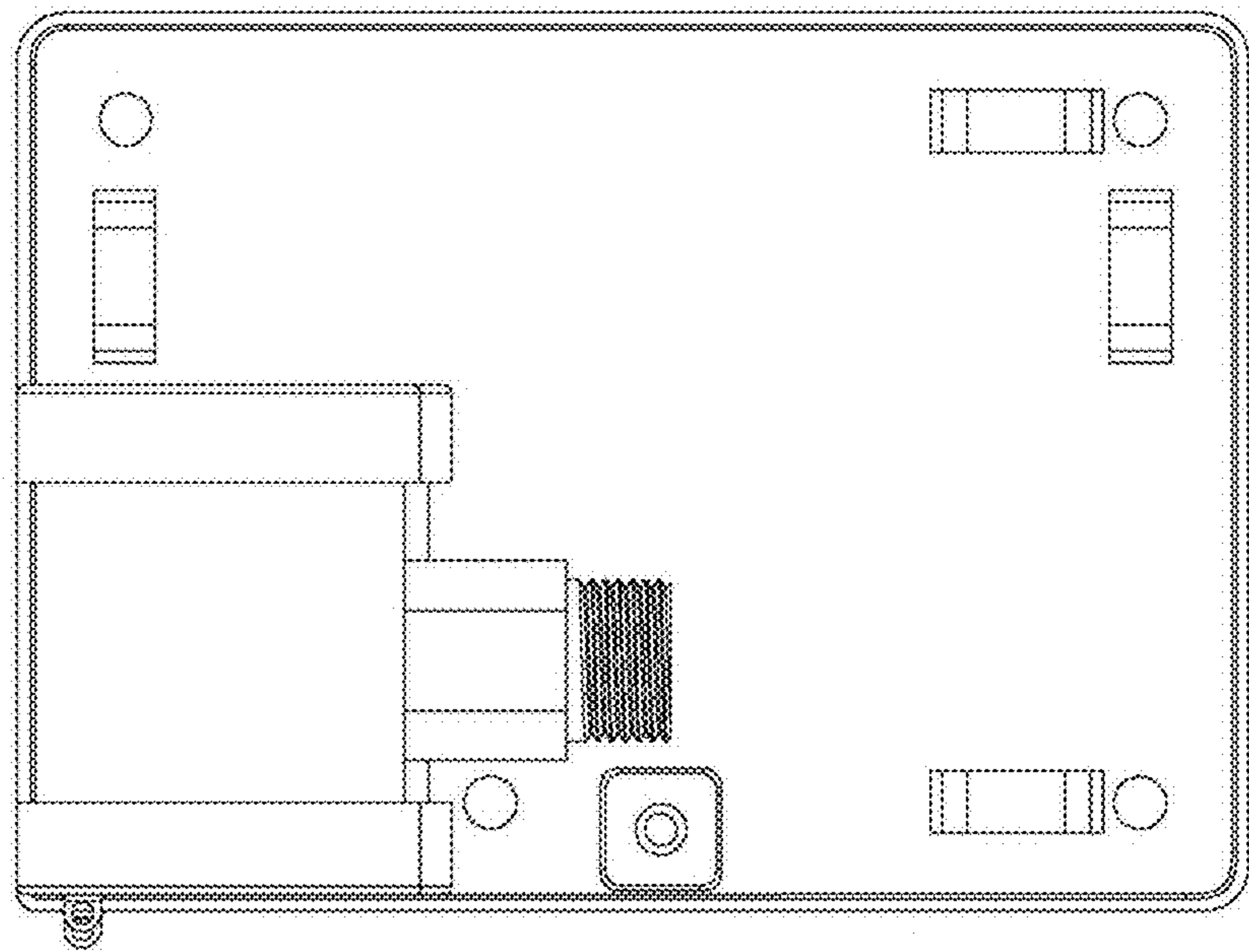
1.2



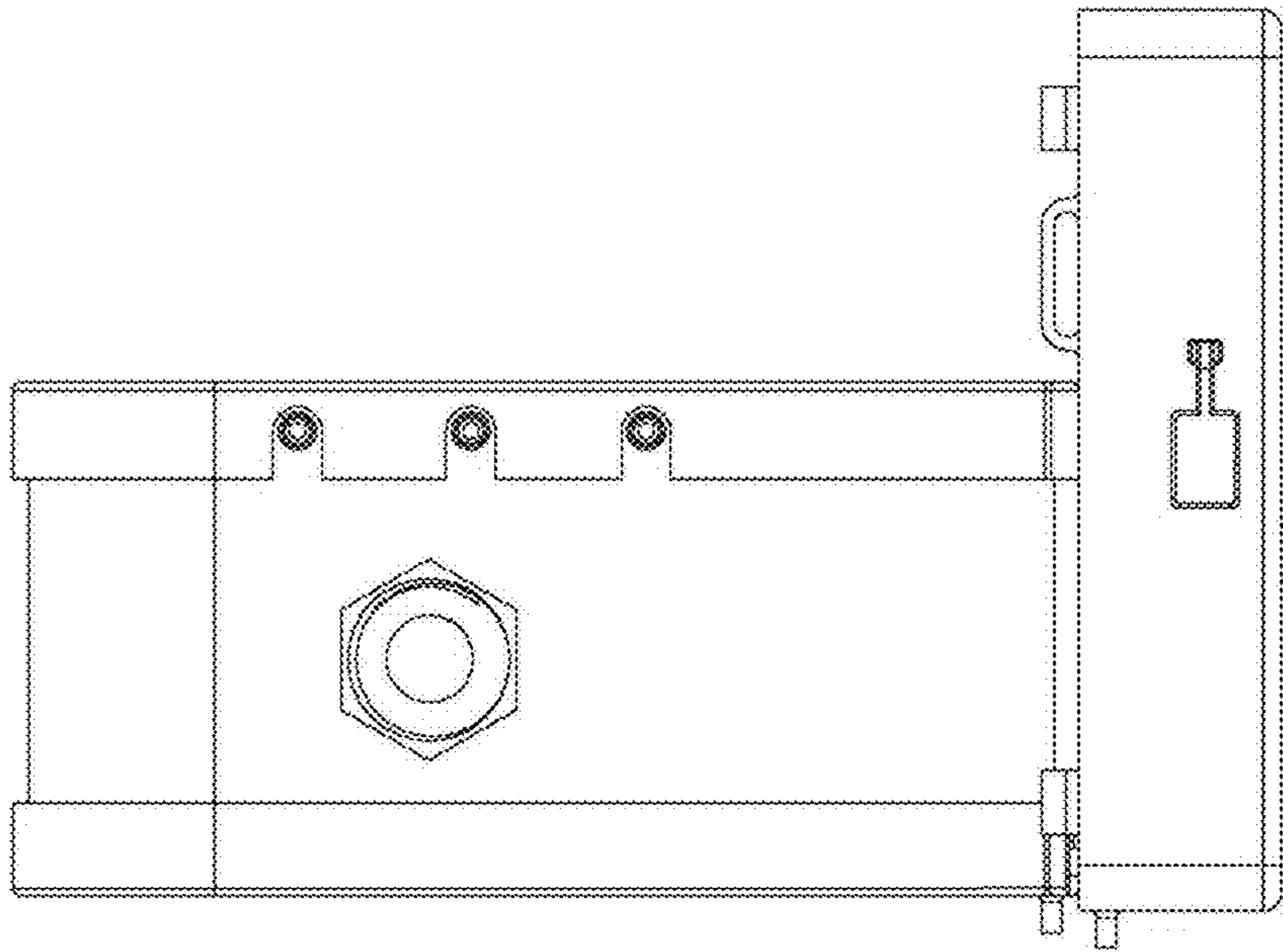
1.3



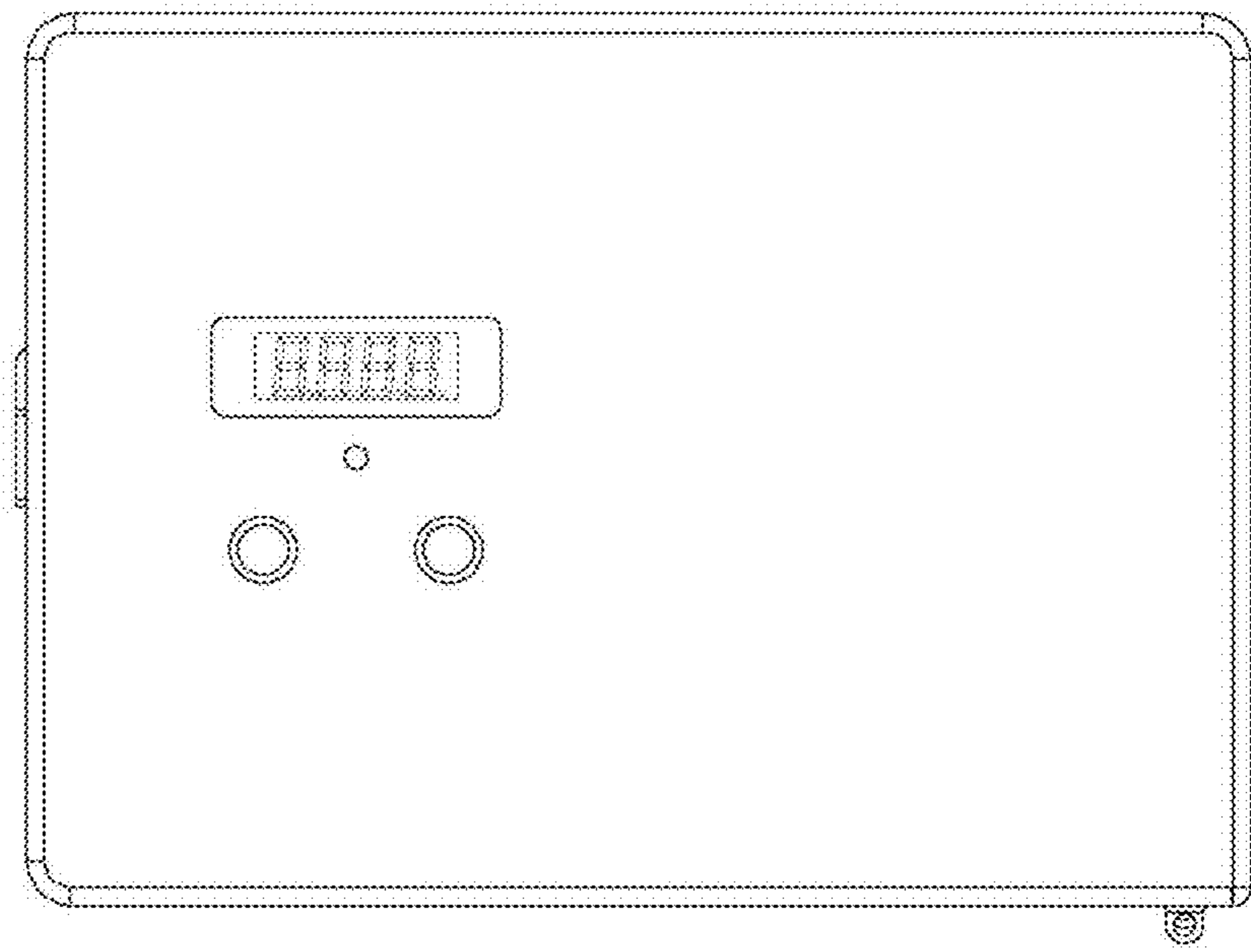
1.4



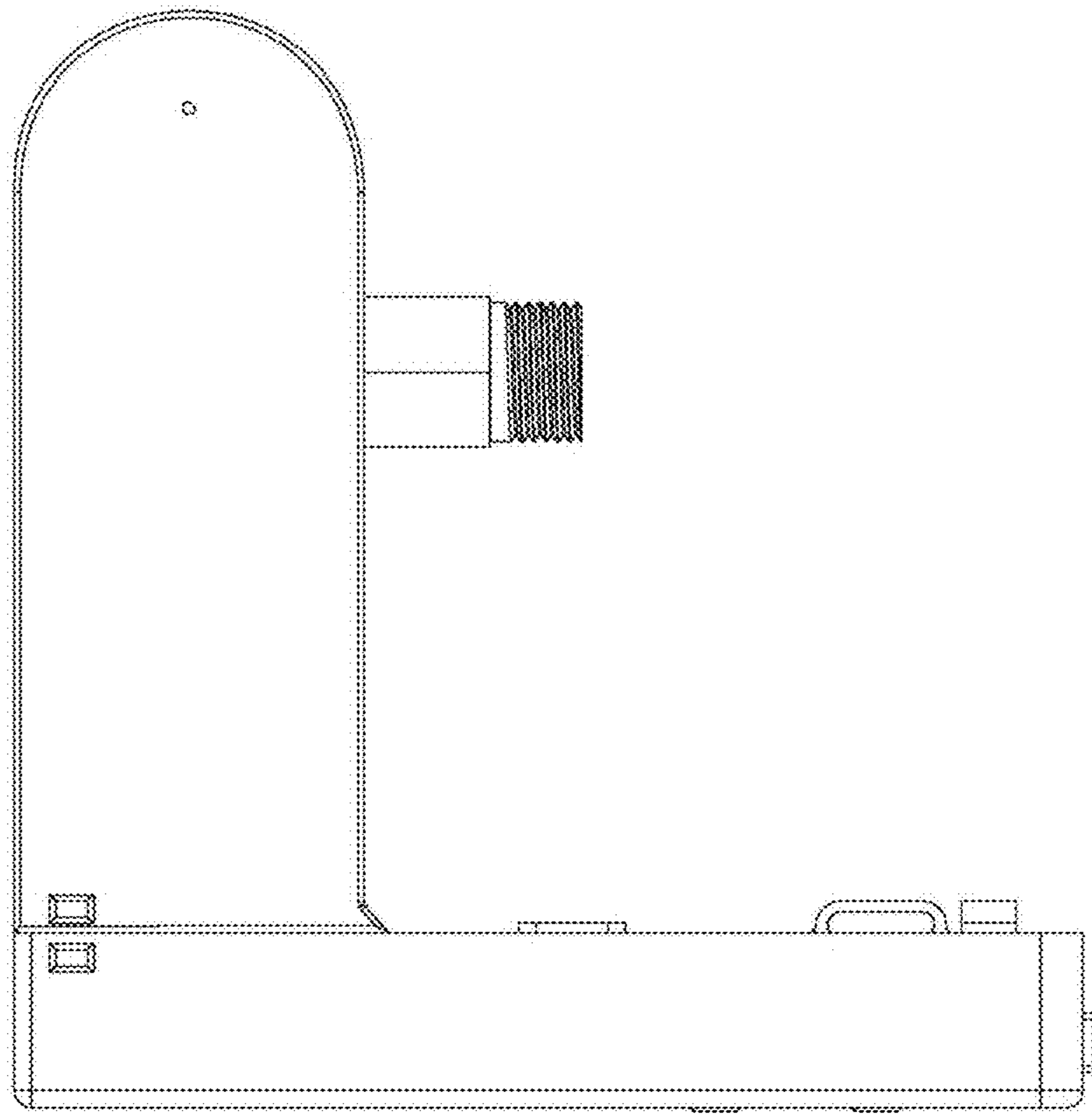
1.5



1.6



1.7



1.8

