



US00D944667S

(12) **United States Design Patent** (10) **Patent No.:** **US D944,667 S**
Ahn et al. (45) **Date of Patent:** **** Mar. 1, 2022**

(54) **SENSOR HOUSING**

9/008; B60R 1/10; B60R 1/12; B60R
2001/1284

See application file for complete search history.

(71) Applicant: **WAYMO LLC**, Mountain View, CA
(US)

(56) **References Cited**

U.S. PATENT DOCUMENTS

(72) Inventors: **YooJung Ahn**, Mountain View, CA
(US); **David Gordon Duff**, Mountain
View, CA (US); **Joshua Newby**,
Mountain View, CA (US); **Paul**
Karplus, Redwood City, CA (US);
Candace Marbury, San Francisco, CA
(US)

D834,971 S * 12/2018 Ahn D10/70
D850,303 S * 6/2019 Wang D10/70
D850,946 S * 6/2019 Zhevelev D10/70
D874,957 S * 2/2020 Ahn D10/70

* cited by examiner

Primary Examiner — Antoine Duval Davis
(74) *Attorney, Agent, or Firm* — Banner & Witcoff, Ltd.

(73) Assignee: **Waymo LLC**, Mountain View, CA
(US)

(57) **CLAIM**

The ornamental design for a sensor housing, as shown and
described.

(**) Term: **15 Years**

DESCRIPTION

(21) Appl. No.: **29/699,959**

FIG. 1 is front perspective view of a sensor housing accord-
ing to a first embodiment of the design;

(22) Filed: **Jul. 30, 2019**

FIG. 2 is a front view thereof;

(51) **LOC (13) Cl.** **10-04**

FIG. 3 is a rear view thereof;

(52) **U.S. Cl.**

FIG. 4 is a left side view thereof;

USPC **D10/70; D12/190; D12/197**

FIG. 5 is a right side view thereof;

(58) **Field of Classification Search**

USPC **D10/70; D12/190, 197**

FIG. 6 is a top view thereof;

CPC .. **B60Q 1/0017; B60Q 1/0023; B60Q 1/0029;**

FIG. 7 is a bottom view thereof;

B60Q 1/0035; B60Q 1/0041; B60Q 1/26;

FIG. 8 is front perspective view of a sensor housing or
portion thereof according to a second embodiment of the
design;

B60Q 1/2603; B60Q 1/2607; B60Q

FIG. 9 is a front view thereof;

1/2611; B60Q 9/002; B60Q 9/003; B60Q

FIG. 10 is a rear view thereof;

9/004; B60Q 9/006; B60Q 9/007; B60Q

FIG. 11 is a left side view thereof;

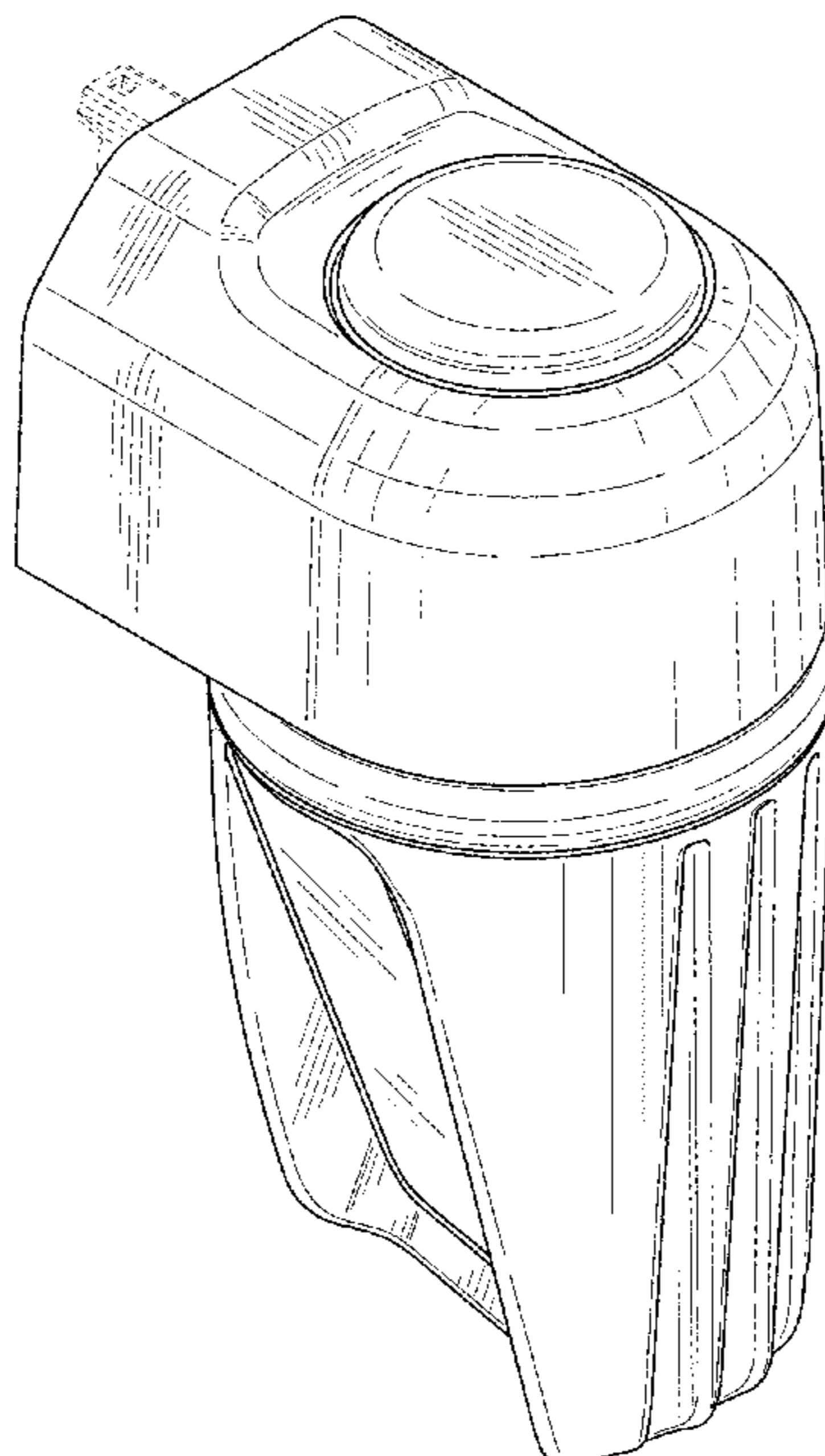
FIG. 12 is a right side view thereof;

FIG. 13 is a top view thereof; and,

FIG. 14 is a bottom view thereof.

The features illustrated in broken lines form no part of the
claimed design.

1 Claim, 12 Drawing Sheets



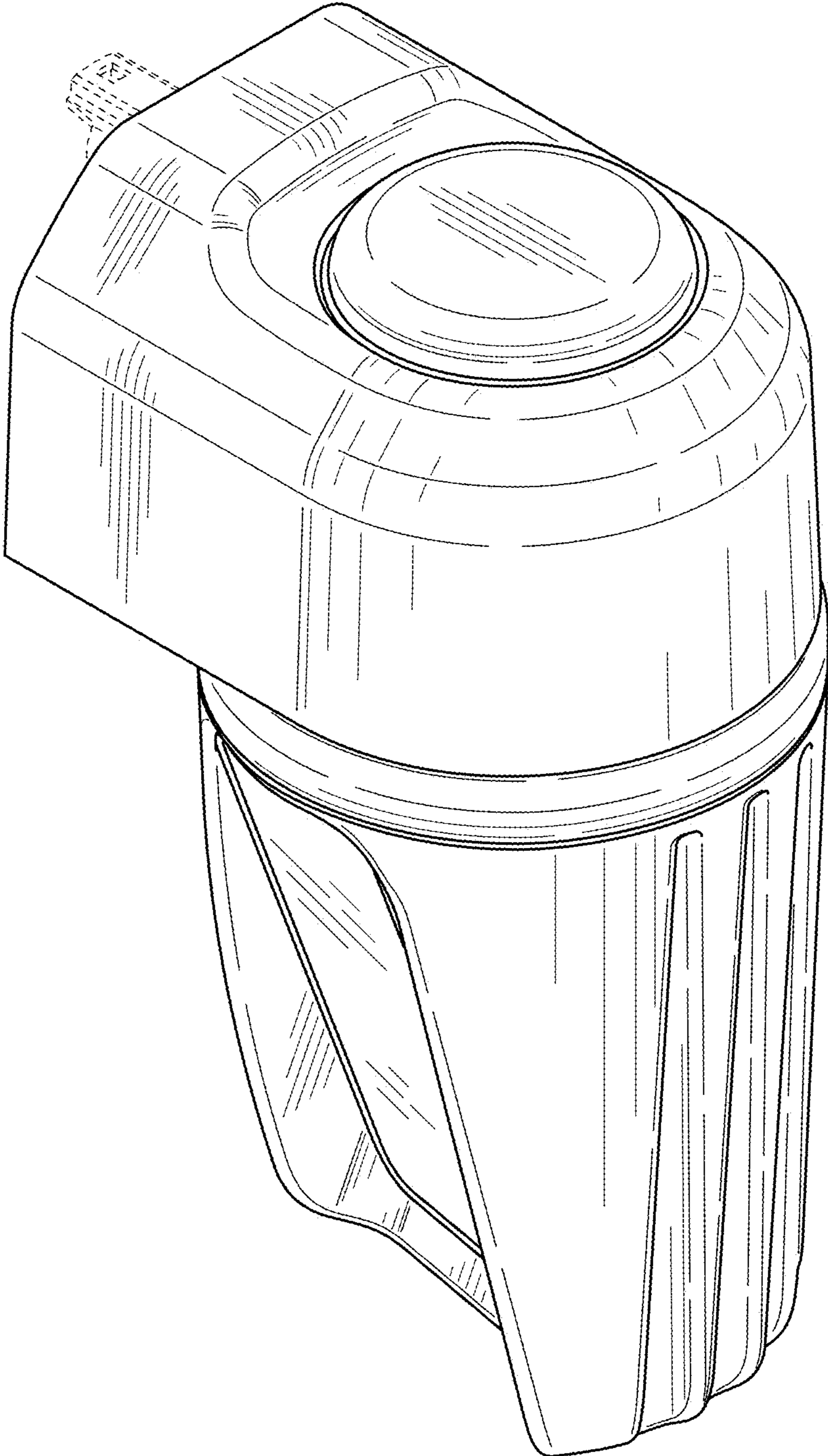


FIG. 1

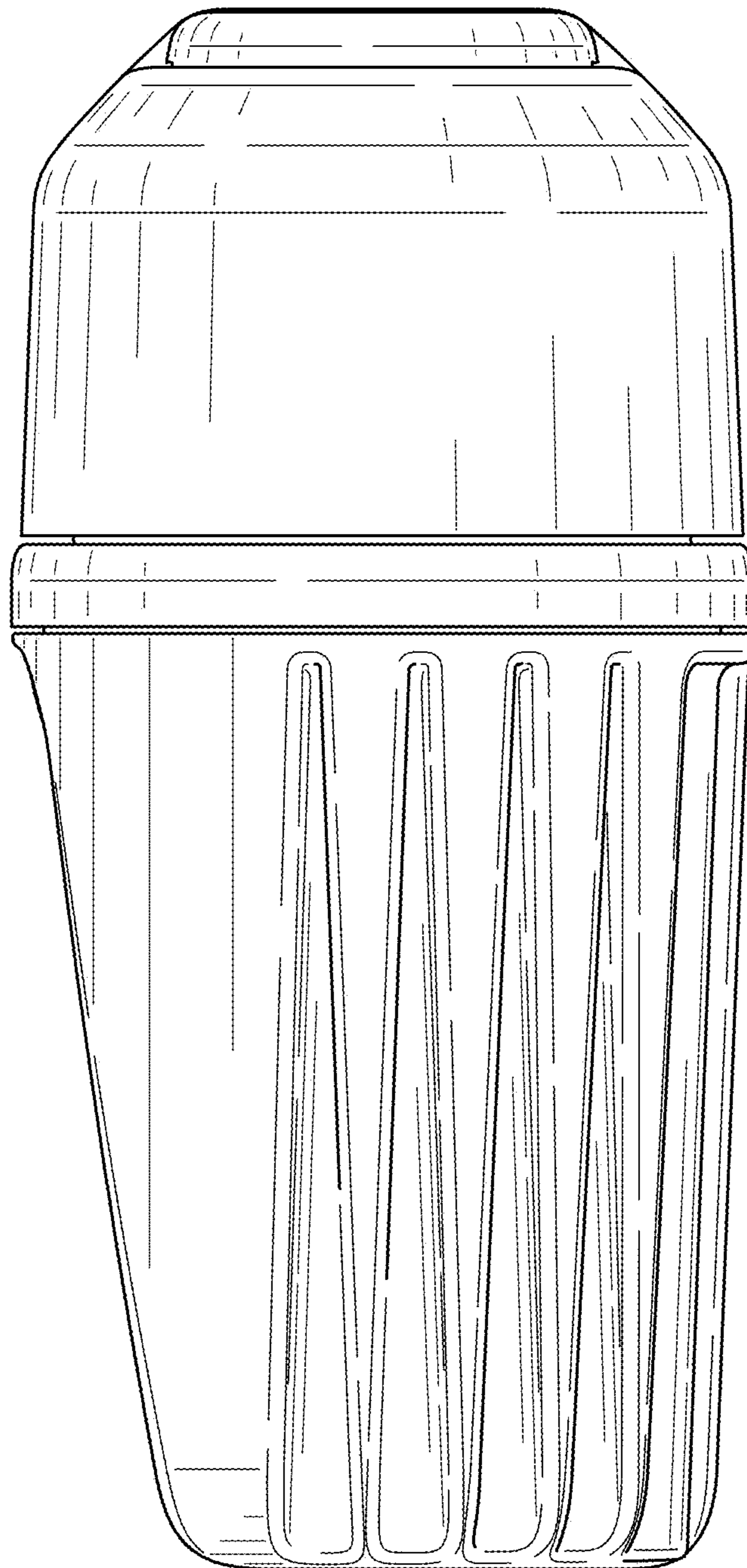


FIG. 2

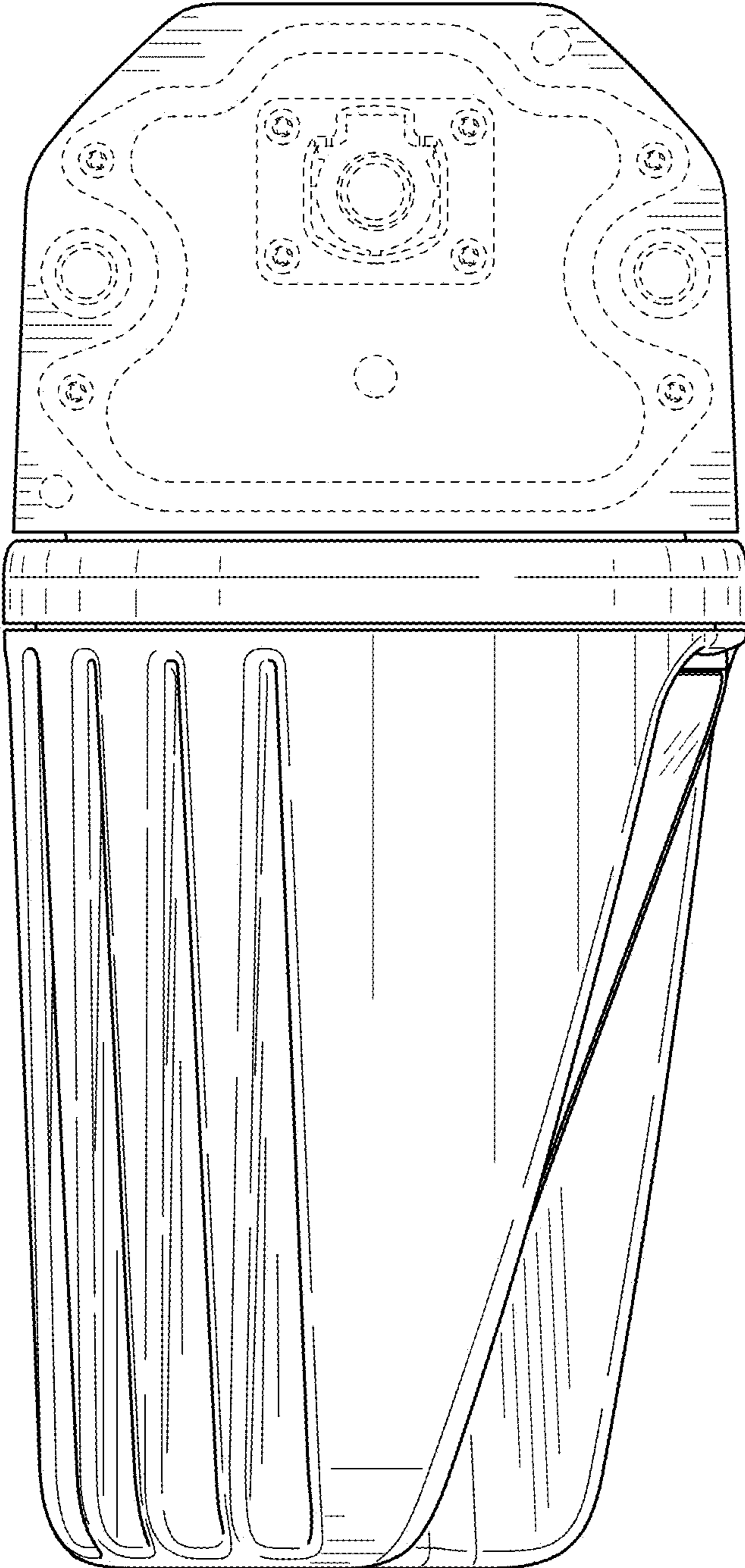


FIG. 3

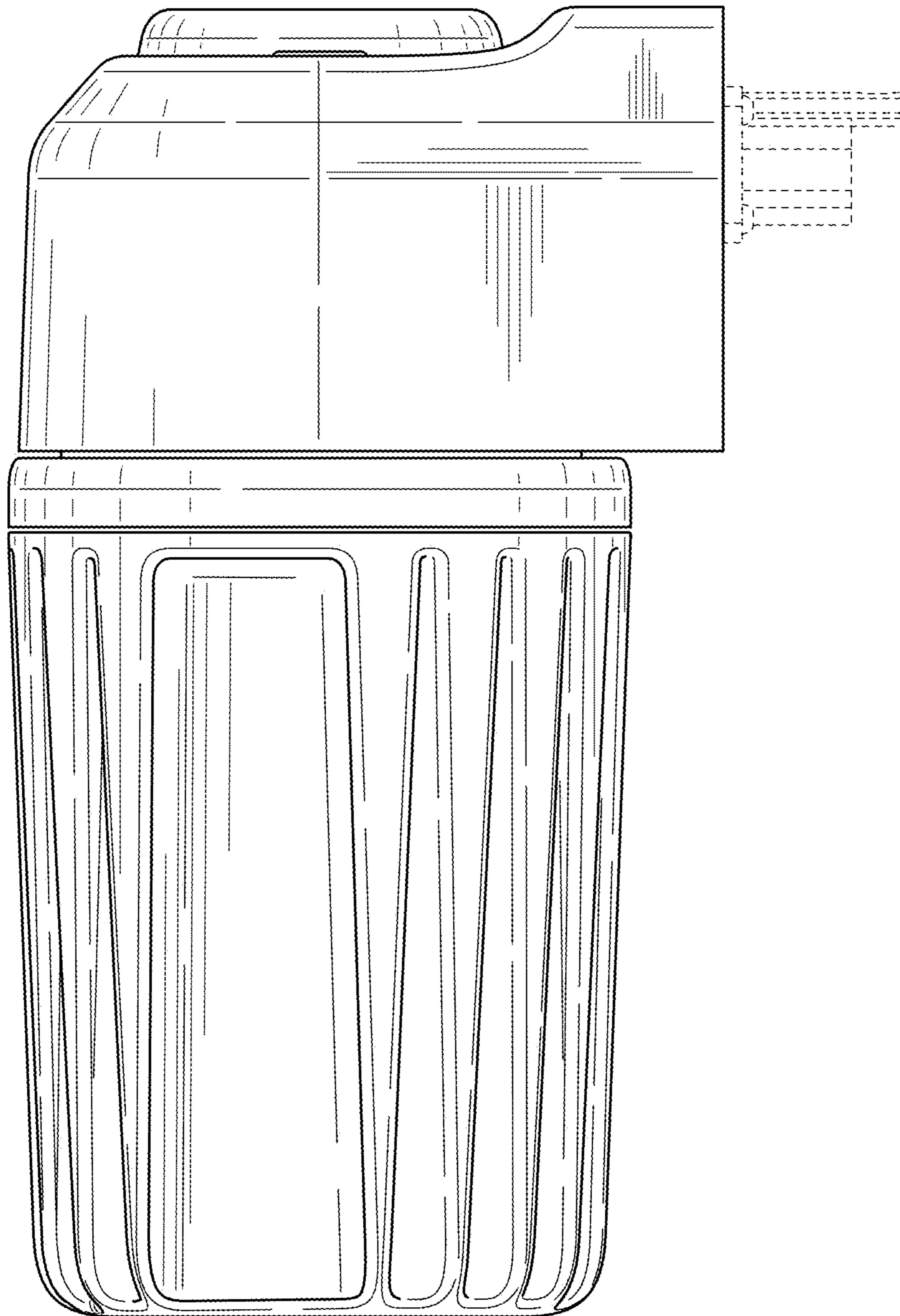


FIG. 4

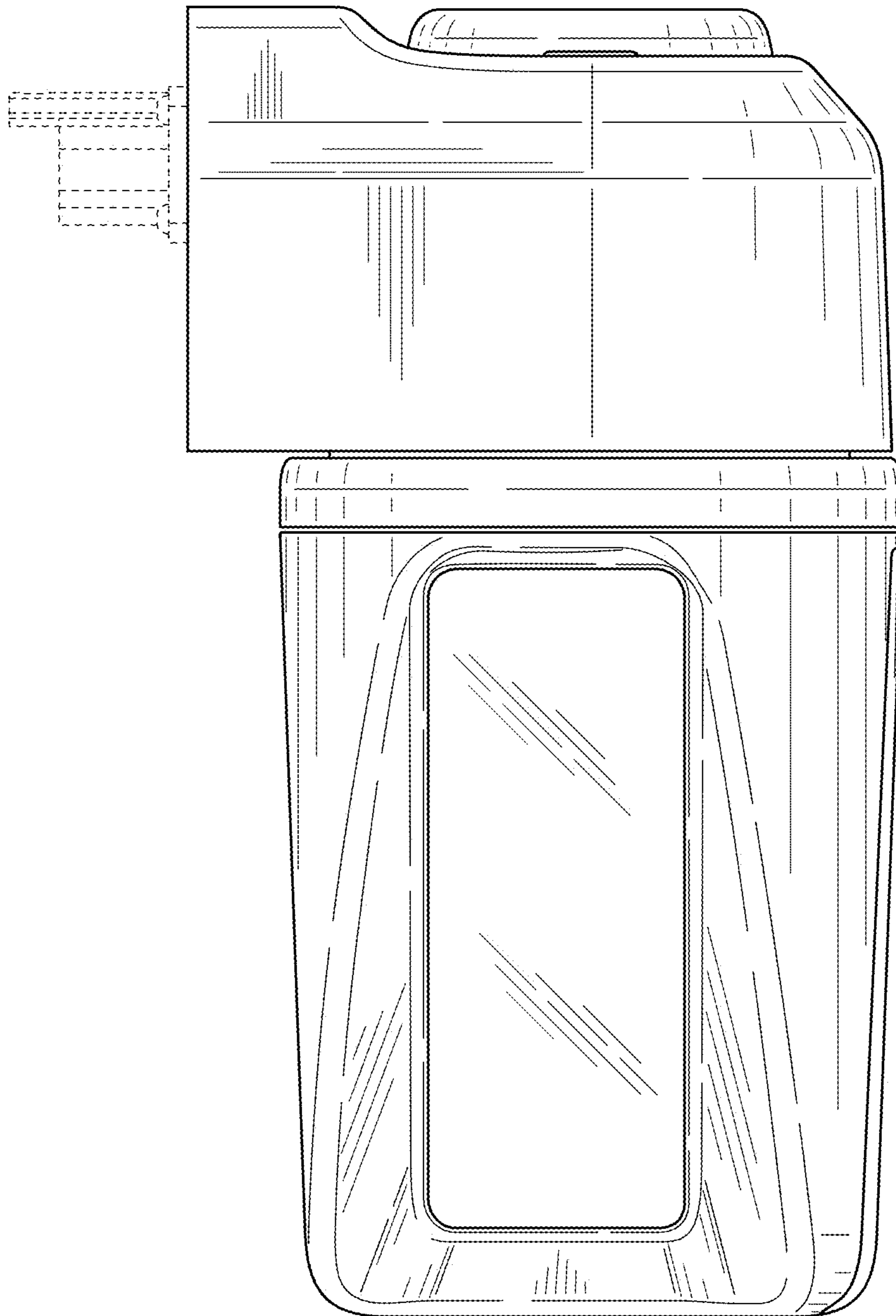


FIG. 5

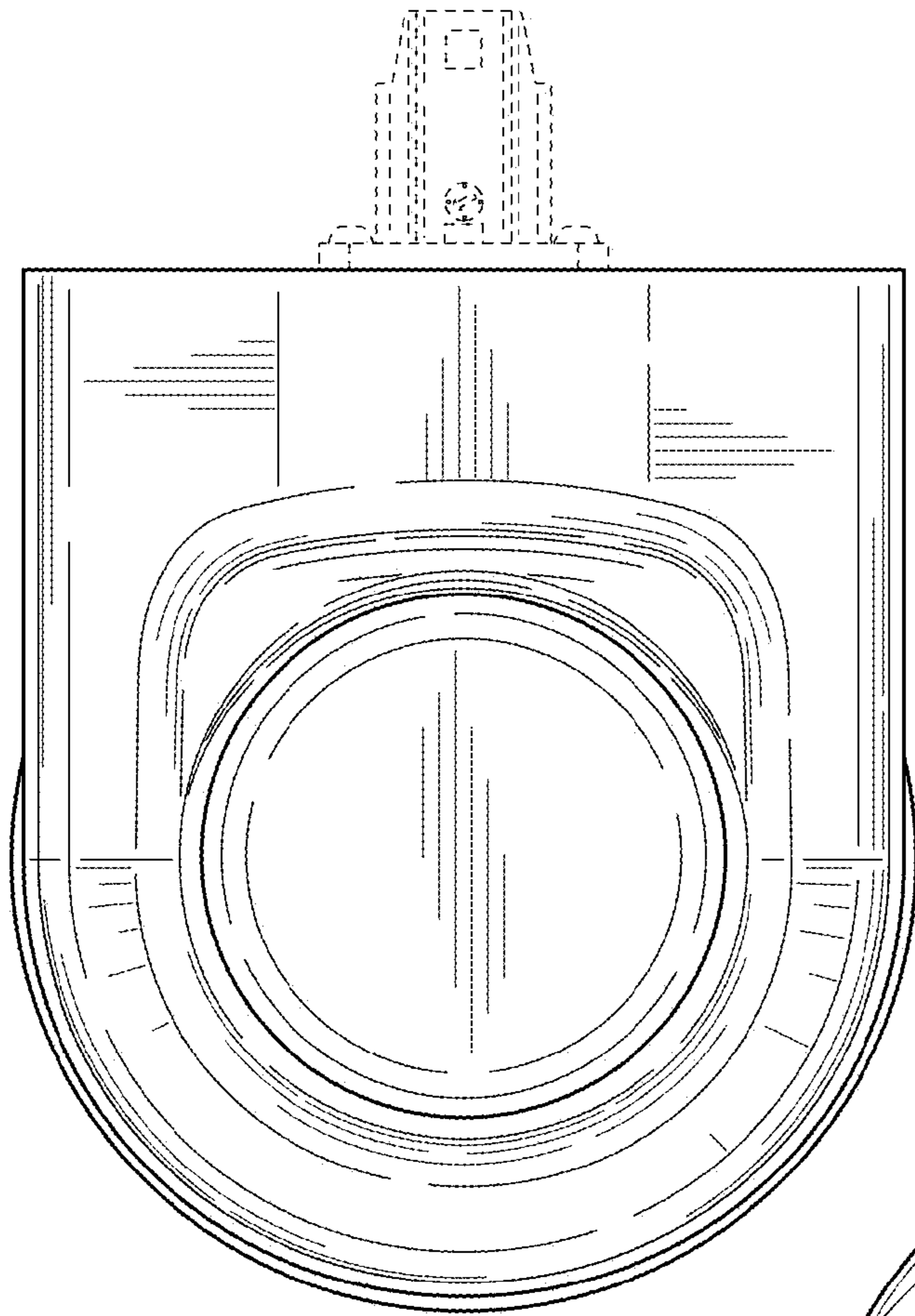


FIG. 6

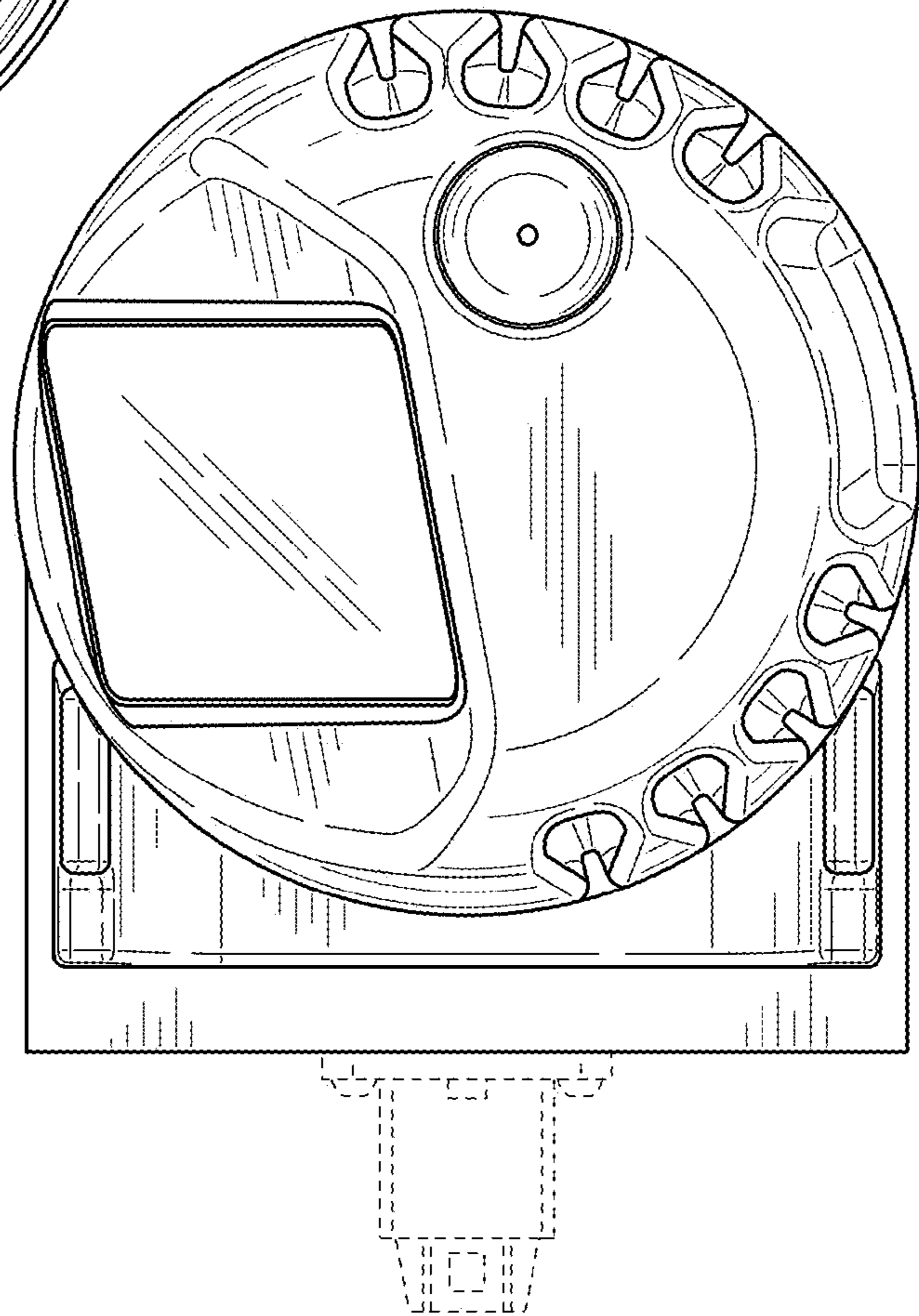


FIG. 7

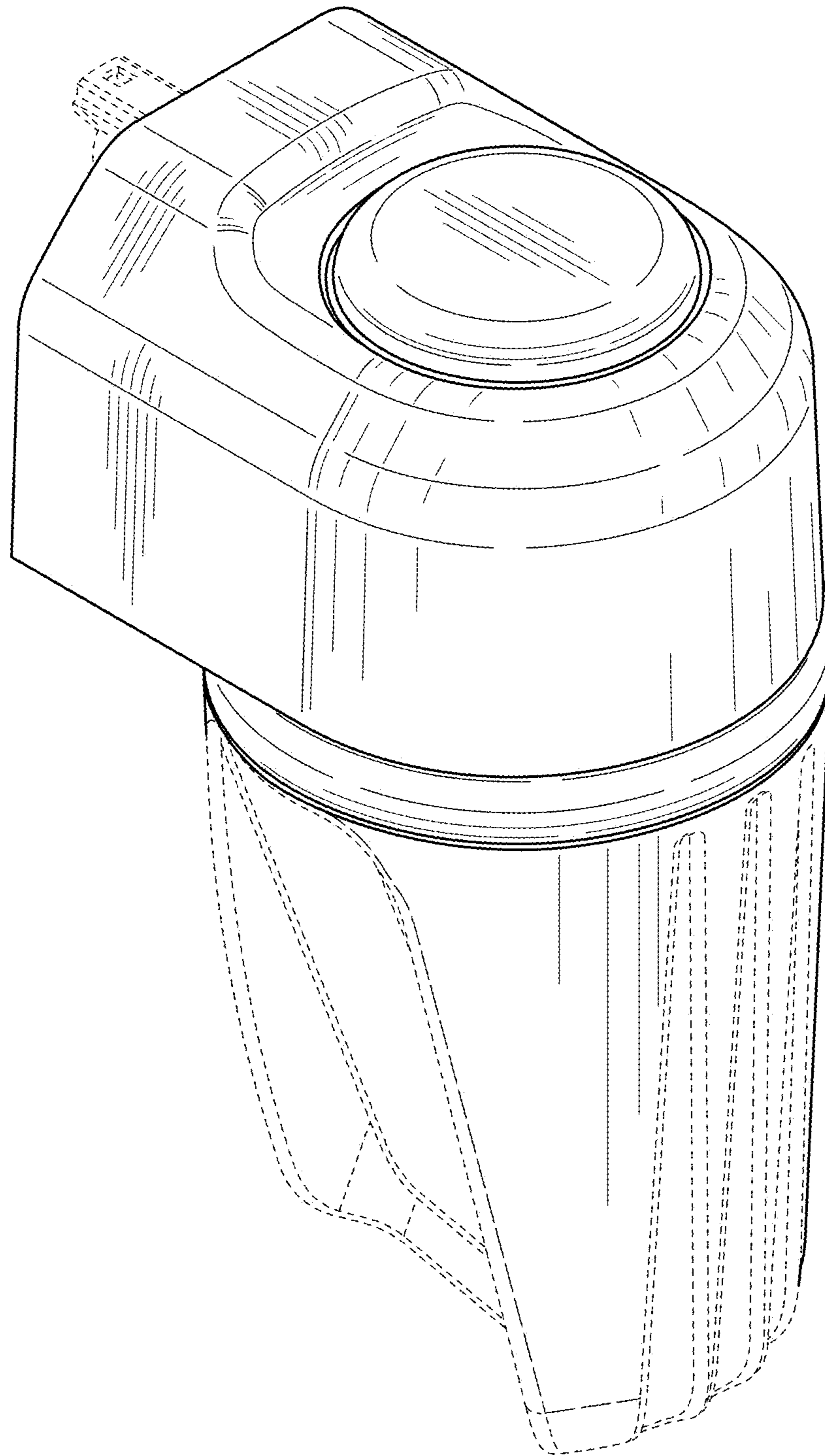


FIG. 8

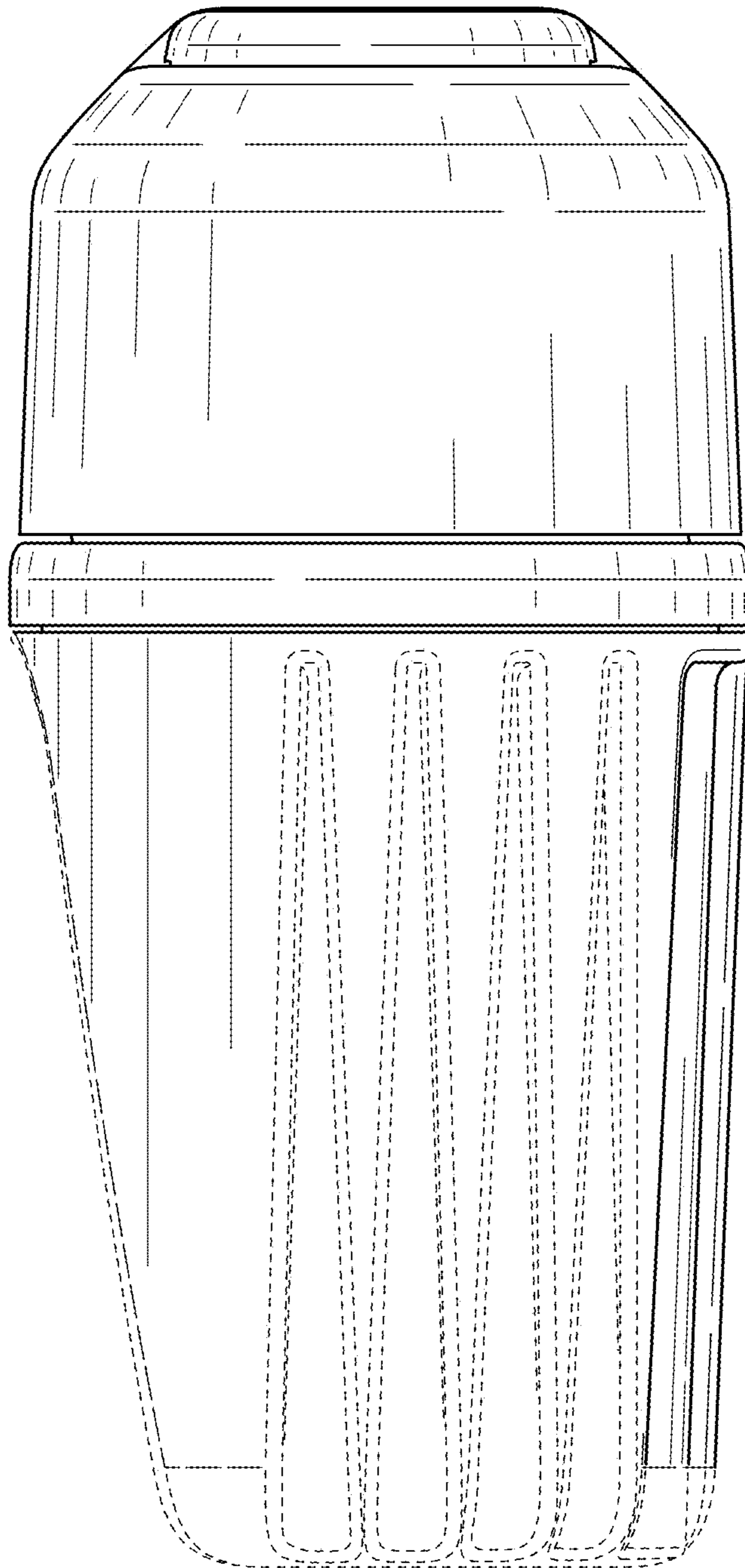


FIG. 9

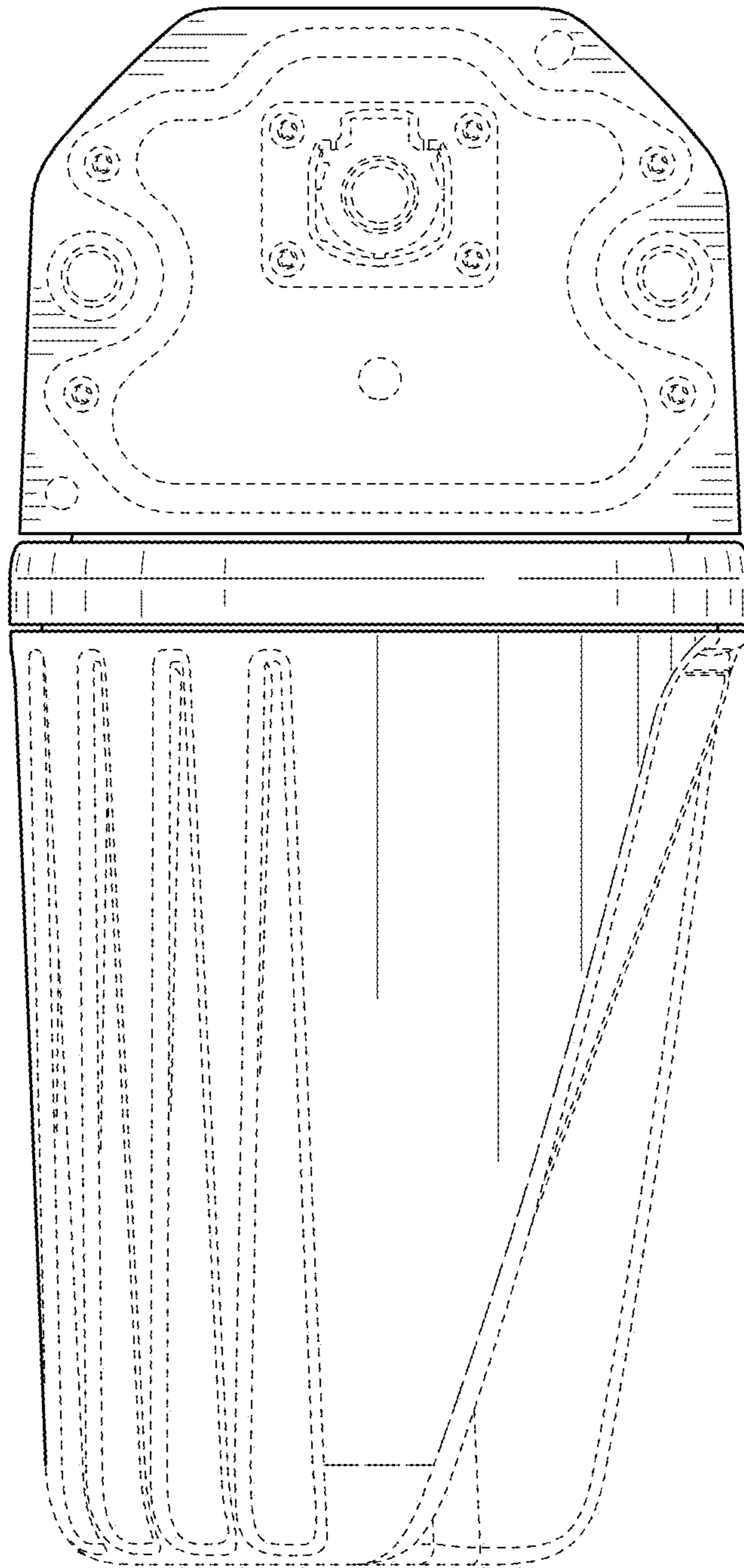


FIG. 10

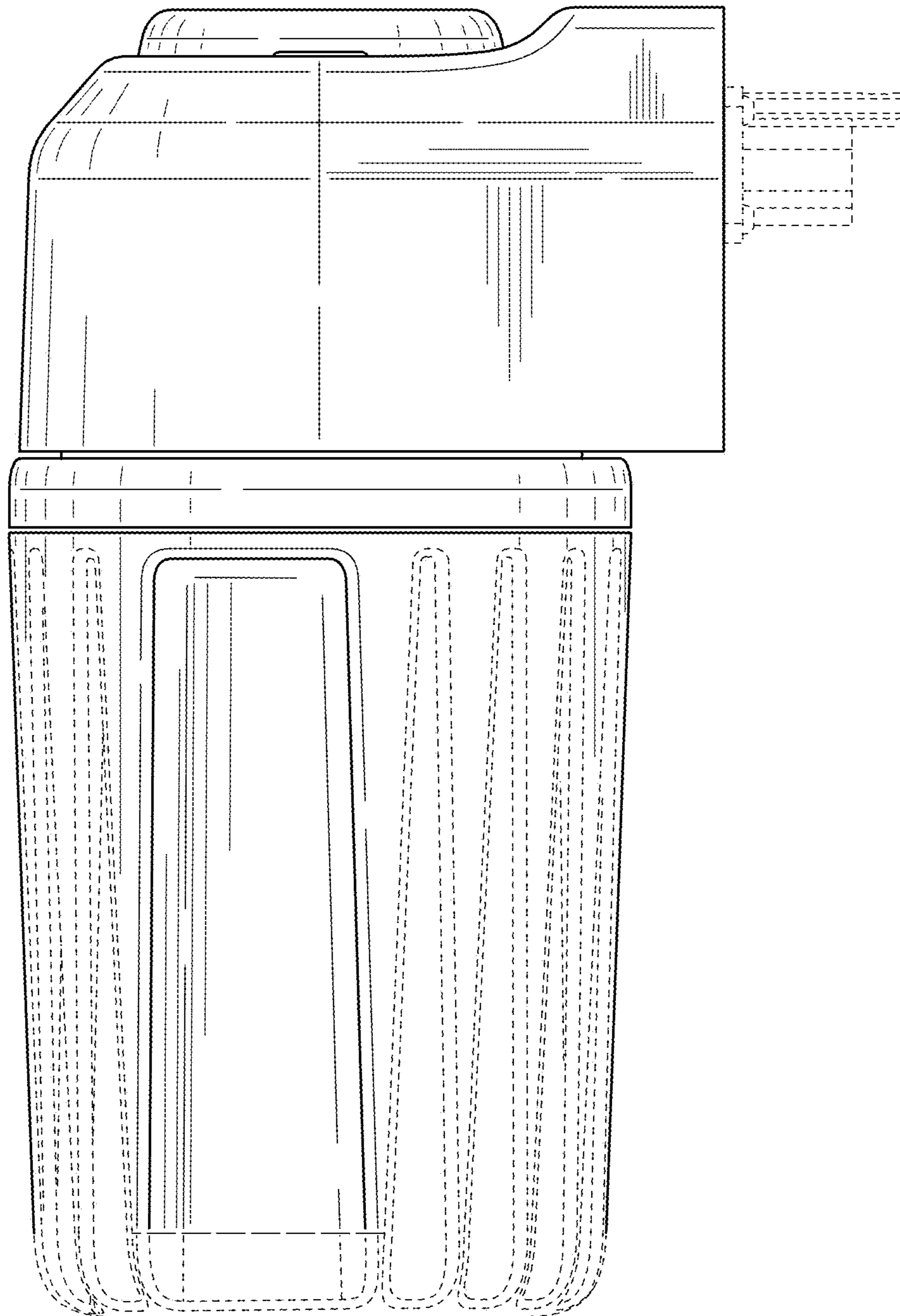


FIG. 11

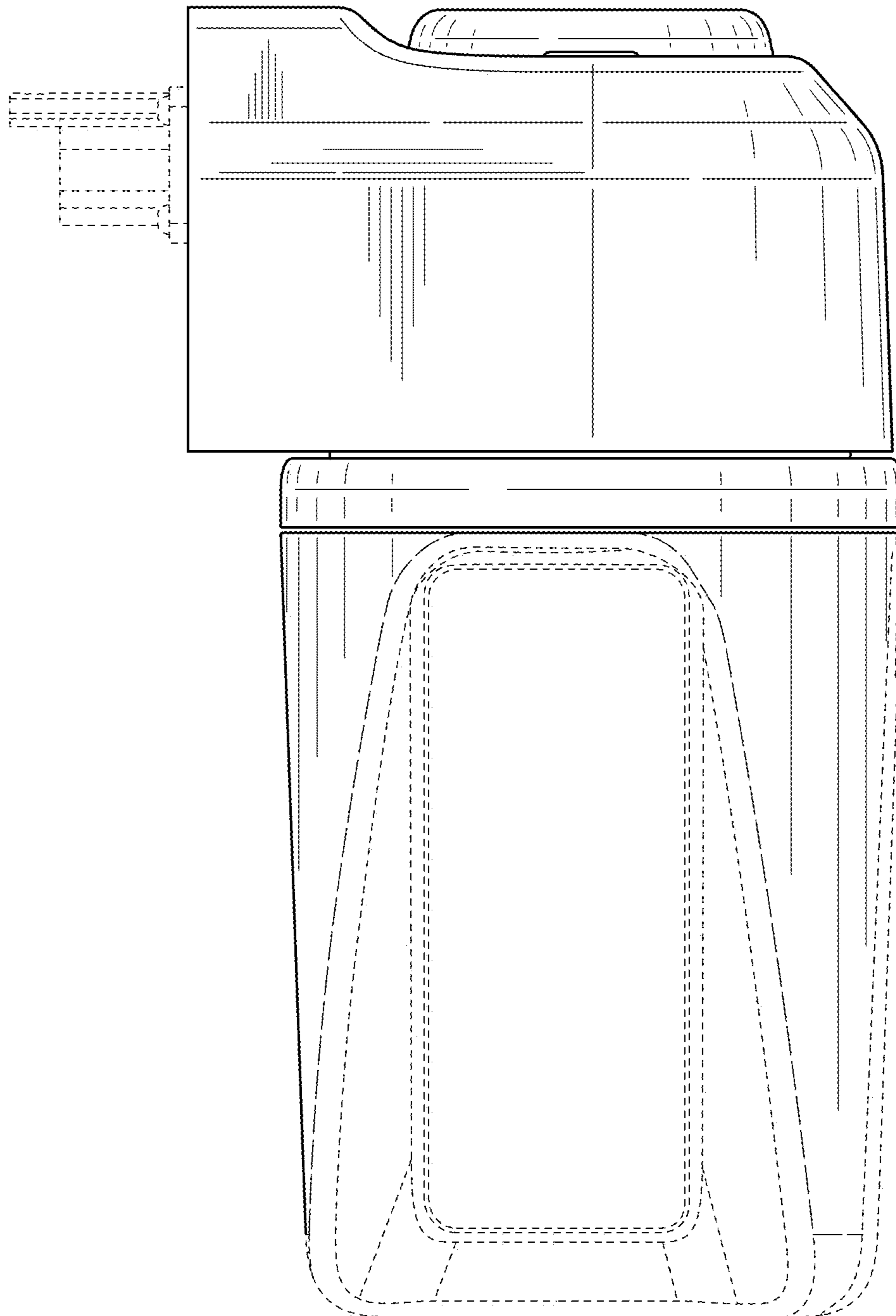


FIG. 12

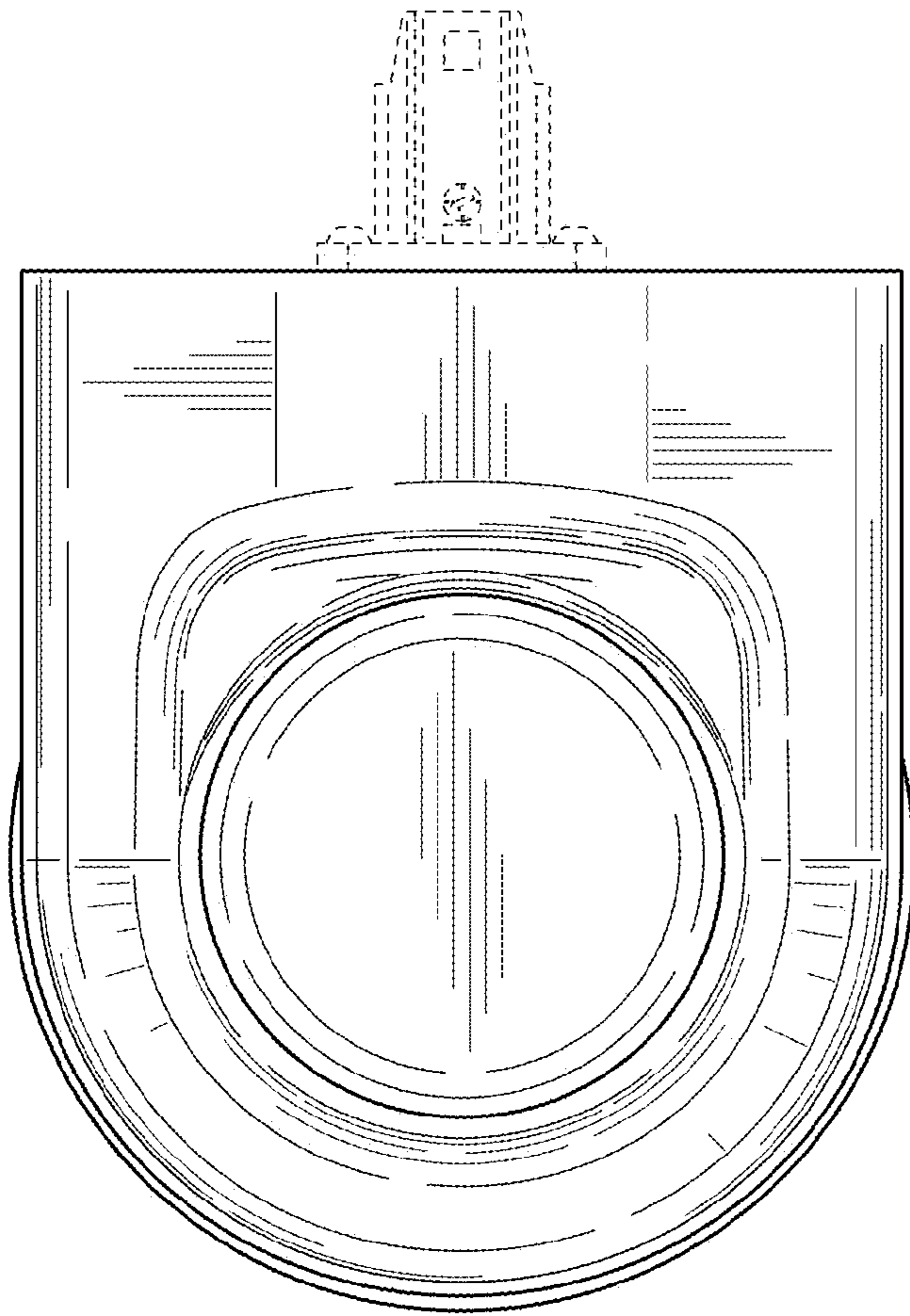


FIG. 13

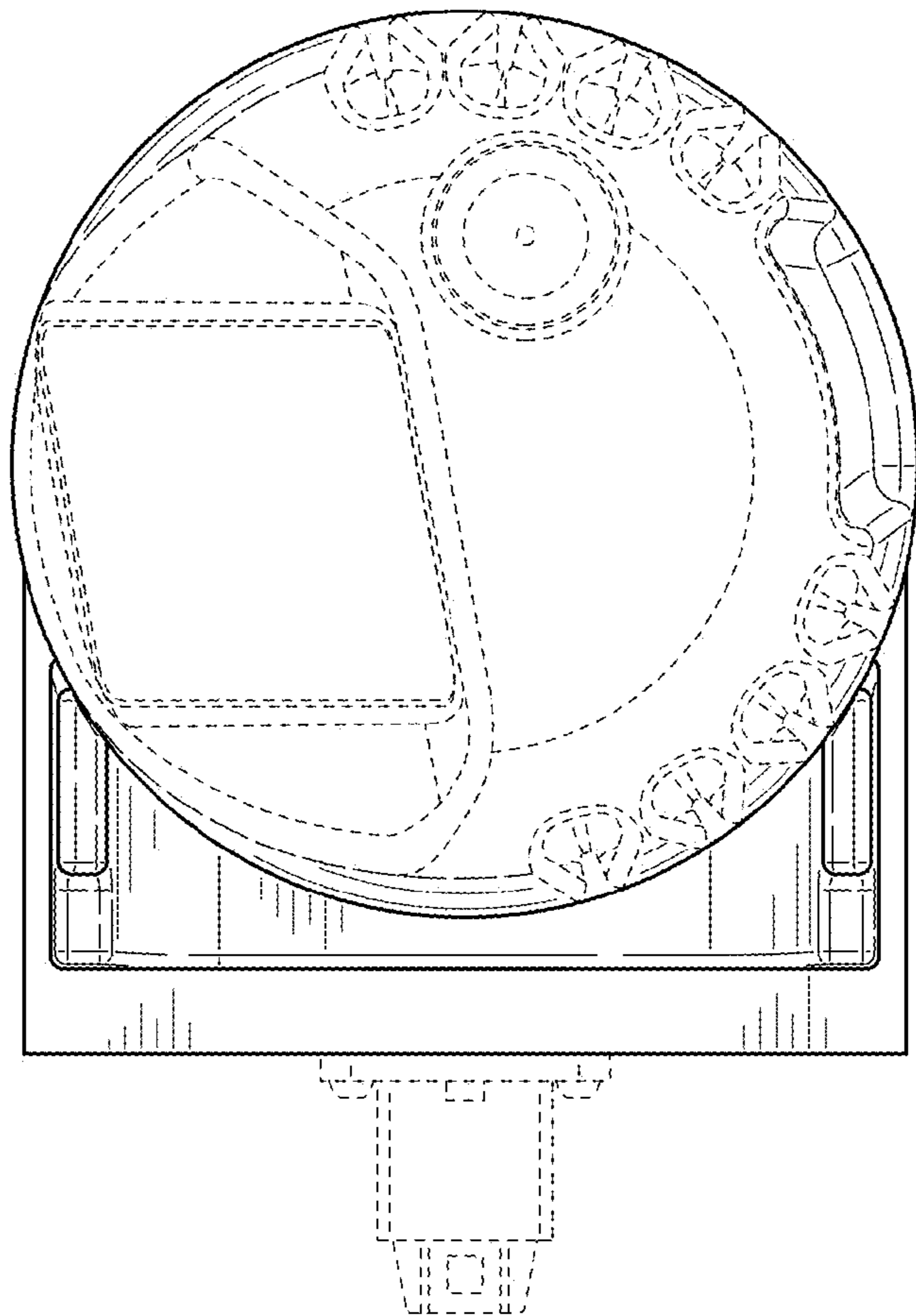


FIG. 14