



US00D944665S

(12) **United States Design Patent**  
**Li**

(10) **Patent No.:** **US D944,665 S**  
(45) **Date of Patent:** **\*\* Mar. 1, 2022**

(54) **GIMBAL WITH DETECTION DEVICE**

(71) Applicant: **SZ DJI Technology Co., Ltd.**,  
Shenzhen (CN)

(72) Inventor: **Lin Li**, Shenzhen (CN)

(73) Assignee: **SZ DJI Technology Co., Ltd.**,  
Shenzhen (CN)

(\*\*) Term: **15 Years**

(21) Appl. No.: **29/739,947**

(22) Filed: **Jun. 30, 2020**

(51) **LOC (13) Cl.** ..... **10-04**

(52) **U.S. Cl.**  
USPC ..... **D10/65**

(58) **Field of Classification Search**

USPC .... D10/75, 69, 56, 65, 81, 78, 60; D13/118,  
D13/110, 123; D14/307, 130; D16/130;  
307/11

CPC ..... G01S 7/4817; G01S 7/4808; G01S 17/08;  
G01S 17/42; G01C 3/08; G01C 15/008;  
G01C 1/00; G01C 1/14; H05K 5/00;  
H05K 5/02; H05K 5/0247; H05K 7/00;  
H05K 7/20; H05K 7/20136; H05K  
7/20154; H05K 7/209; H02M 7/00;  
H02M 7/003; H02M 2001/009; H02J  
7/0042; Y10T 307/367

See application file for complete search history.

(56) **References Cited**

**U.S. PATENT DOCUMENTS**

9,280,038 B1 \* 3/2016 Pan ..... A45F 5/10  
D768,312 S \* 10/2016 Choudhary ..... D24/216  
D790,000 S 6/2017 Wang et al.  
9,889,931 B2 \* 2/2018 Xu ..... H04R 1/1083  
10,183,762 B2 \* 1/2019 Zhao ..... F16M 11/18  
10,394,107 B2 \* 8/2019 Wang ..... F16M 11/18  
10,400,939 B2 \* 9/2019 Yan ..... G03B 17/56  
10,455,155 B1 \* 10/2019 Kalinowski ..... H04N 5/23254

D874,532 S \* 2/2020 Chen ..... D16/202  
10,625,877 B2 \* 4/2020 Zhao ..... B64D 47/08  
10,670,183 B2 \* 6/2020 Bin ..... F16M 11/38  
10,745,148 B2 \* 8/2020 Bin ..... G03B 15/006  
10,745,149 B2 \* 8/2020 Sun ..... G03B 15/006  
D897,351 S \* 9/2020 Watanabe ..... D14/453  
10,845,680 B2 \* 11/2020 Liu ..... F16M 11/18  
10,914,418 B2 \* 2/2021 Wang ..... F16M 11/205  
10,921,690 B2 \* 2/2021 Liu ..... F16M 11/2071  
10,953,998 B2 \* 3/2021 Bei ..... F16M 11/2085  
D916,167 S \* 4/2021 Hu ..... D16/206  
11,001,394 B2 \* 5/2021 Yin ..... F16F 1/373

(Continued)

**OTHER PUBLICATIONS**

DJI Enterprise Zenmuse L1—Versatile Lidar Solution, publication date Oct. 14, 2020, (online) URL:<https://www.youtube.com/watch?v=c0v-oCD8bX0> (Year: 2020).\*

(Continued)

*Primary Examiner* — L. A. Grabenstetter  
*Assistant Examiner* — Antoinette Martine Suiter  
(74) *Attorney, Agent, or Firm* — Sterne, Kessler,  
Goldstein & Fox P.L.L.C.

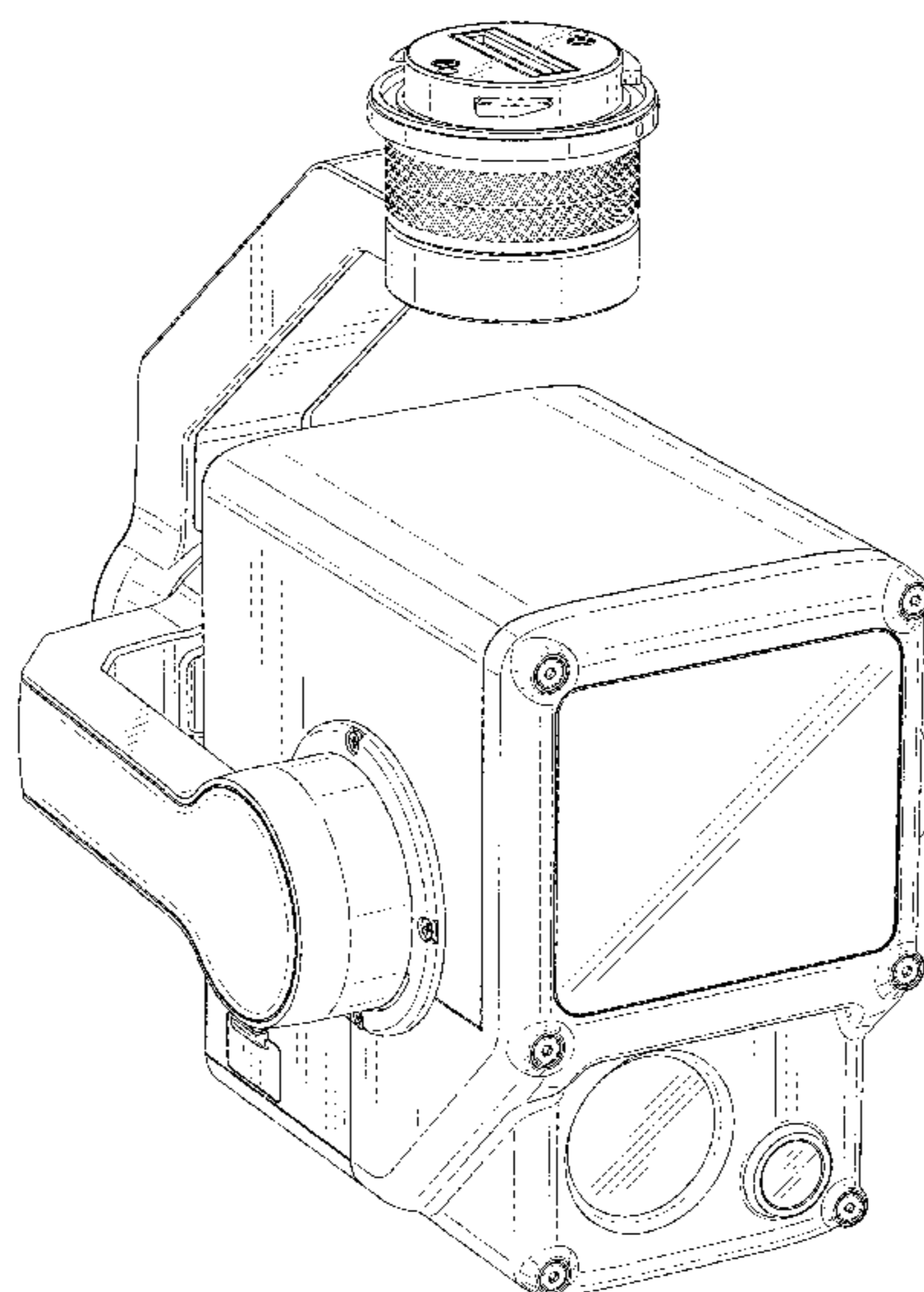
(57) **CLAIM**

The ornamental design for a gimbal with detection device, as shown and described.

**DESCRIPTION**

FIG. 1 is a top front perspective view of a gimbal with detection device showing the claimed design;  
FIG. 2 is a bottom rear perspective view thereof;  
FIG. 3 is a front view thereof;  
FIG. 4 is a rear view thereof;  
FIG. 5 is a left side view thereof;  
FIG. 6 is a right side view thereof;  
FIG. 7 is a top view thereof; and,  
FIG. 8 is a bottom view thereof.

**1 Claim, 8 Drawing Sheets**



(56)

**References Cited**

U.S. PATENT DOCUMENTS

2019/0377345 A1\* 12/2019 Bachrach ..... G06T 7/20

OTHER PUBLICATIONS

DJI Zenmuse L1—Lidar +RGB Surveying Solution (Full Trailer),  
publication date Oct. 14, 2020, (online) URL:<https://www.youtube.com/watch?v=YjJRgrQB7W8> (Year: 2020).\*

DJI Mavic Pro 2 gimbal issue, publication date Sep. 23, 2018,  
(online) URL:<https://www.youtube.com/watch?v=RkEszTQWzek>  
(Year: 2018).\*

\* cited by examiner

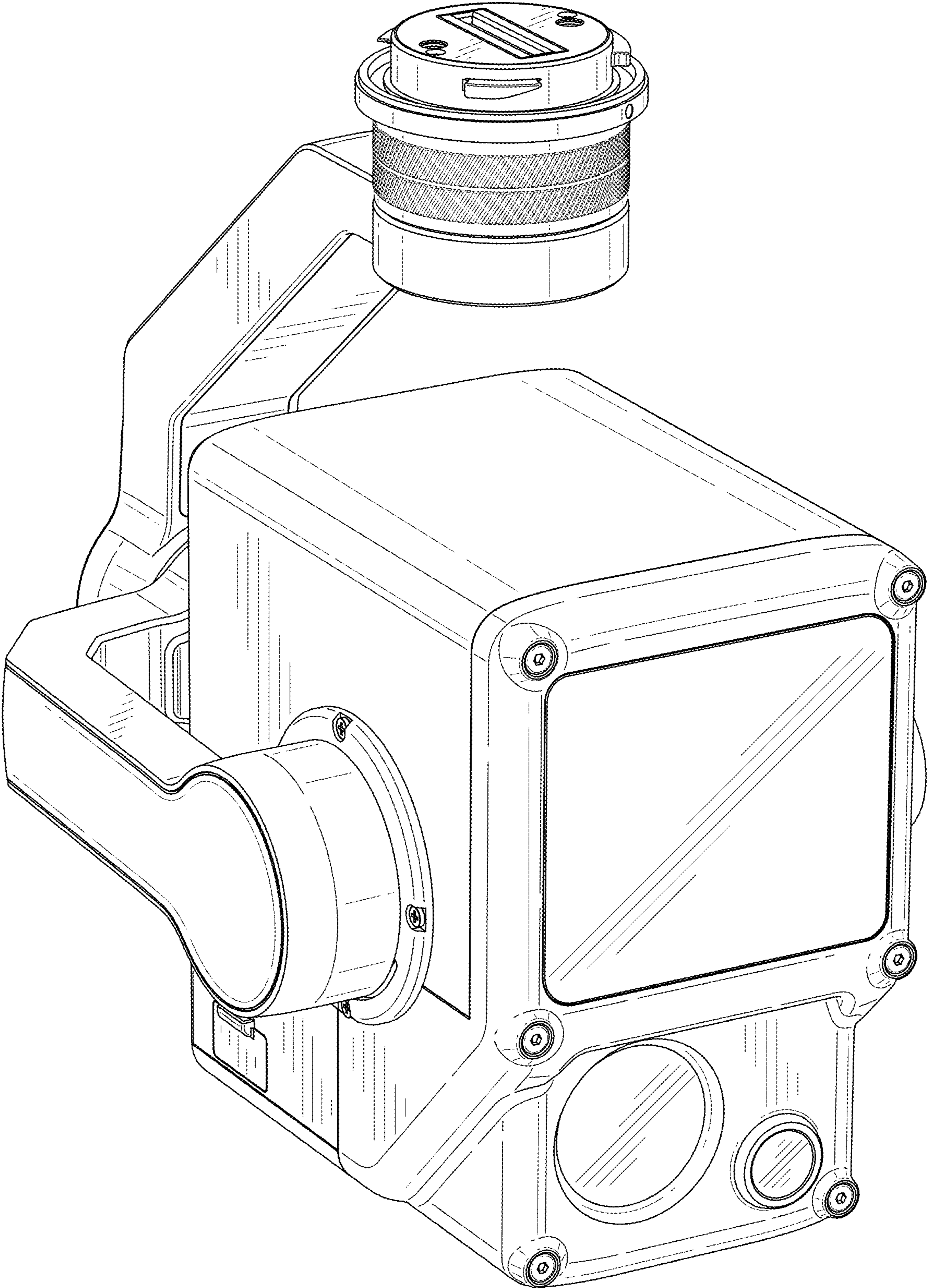


FIG. 1



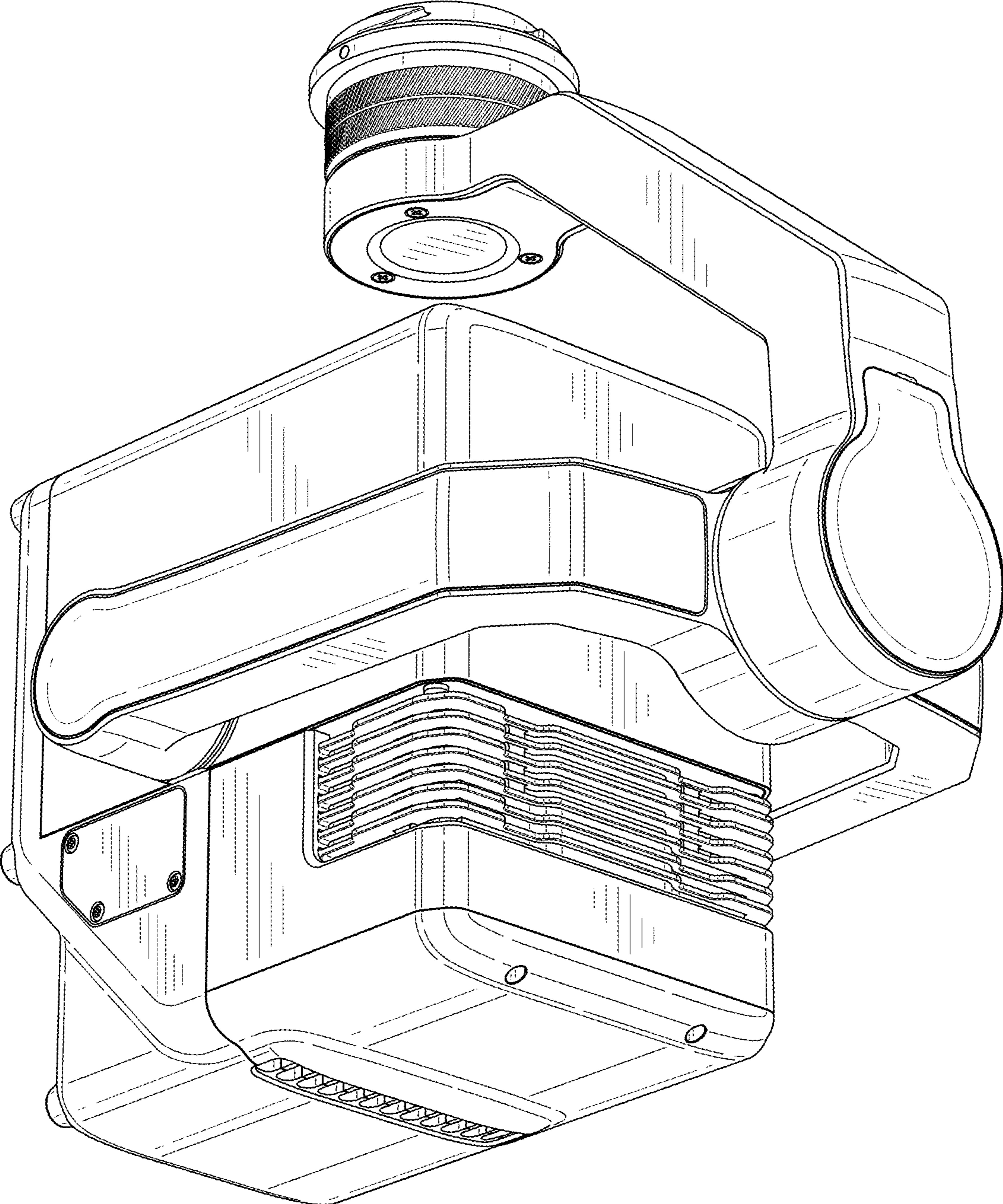


FIG. 2

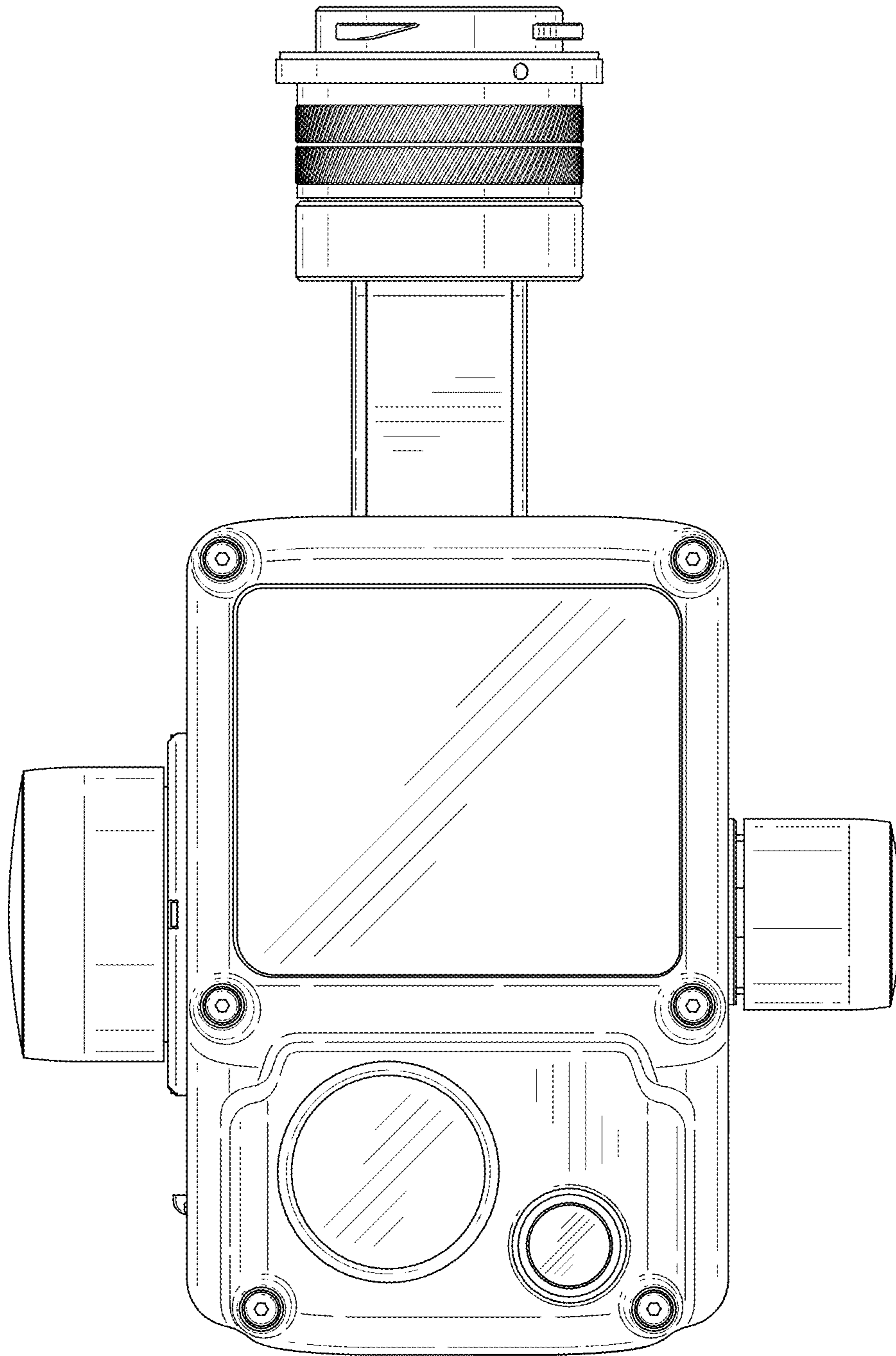


FIG. 3

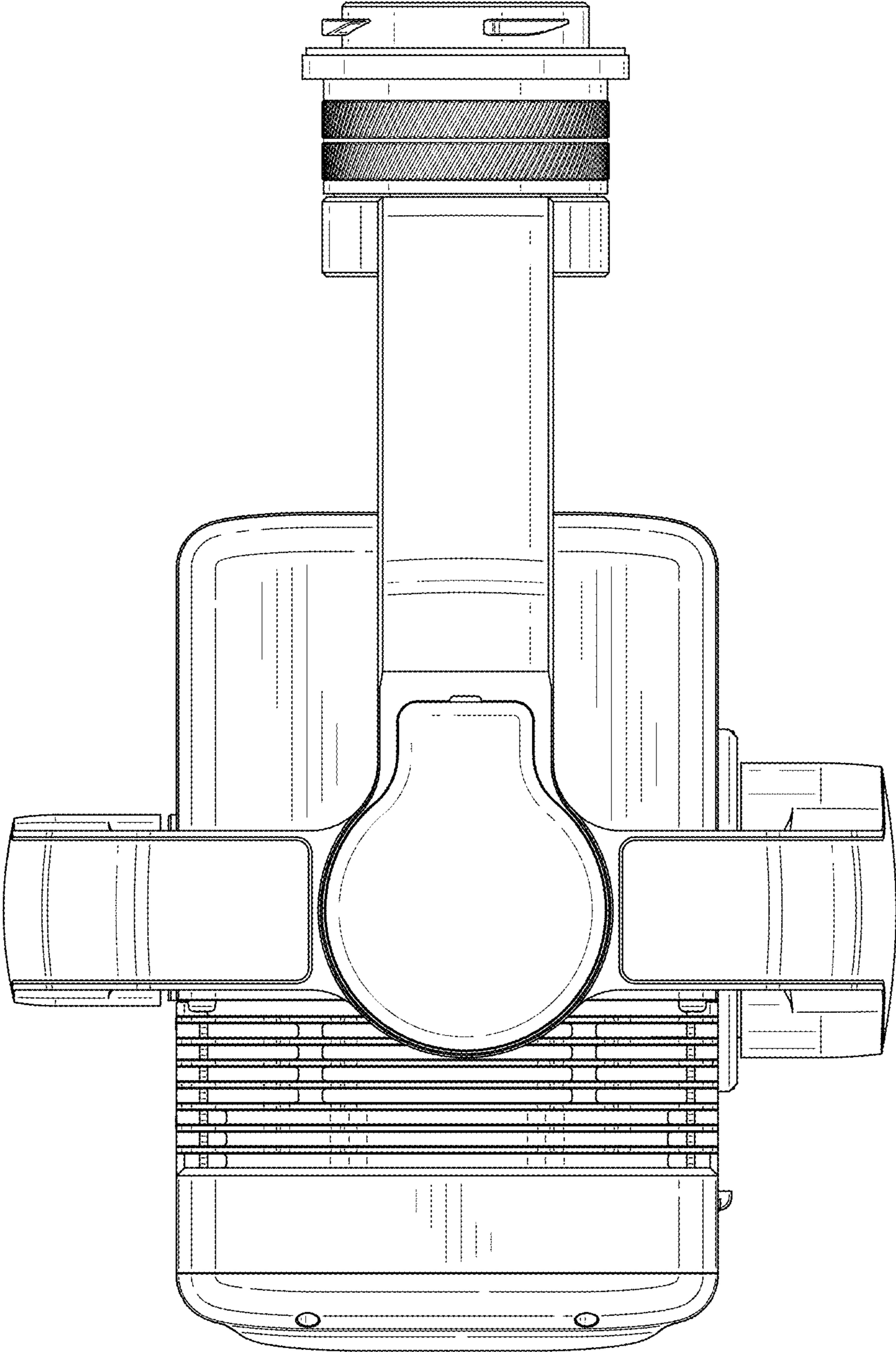


FIG. 4



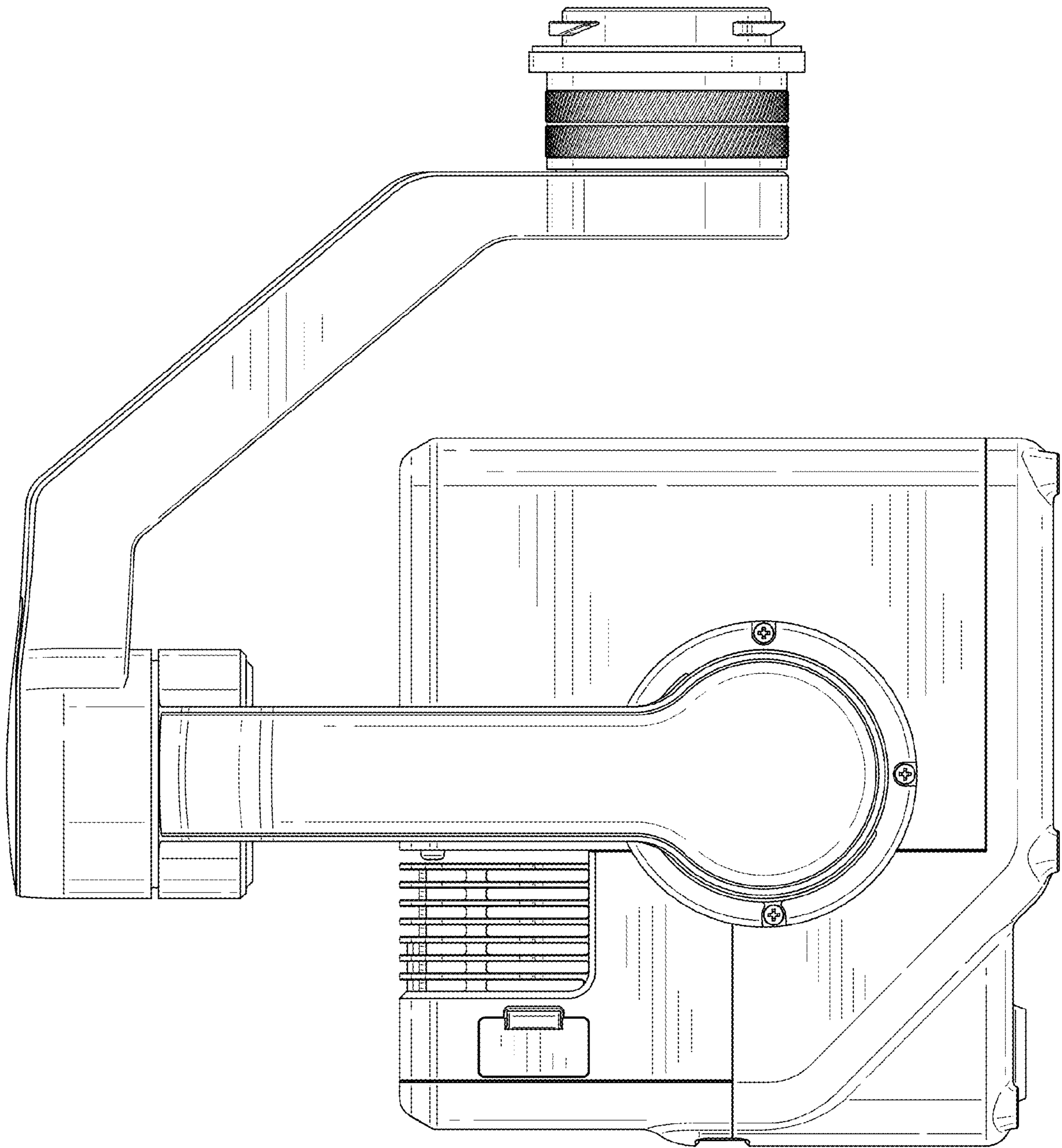


FIG. 5

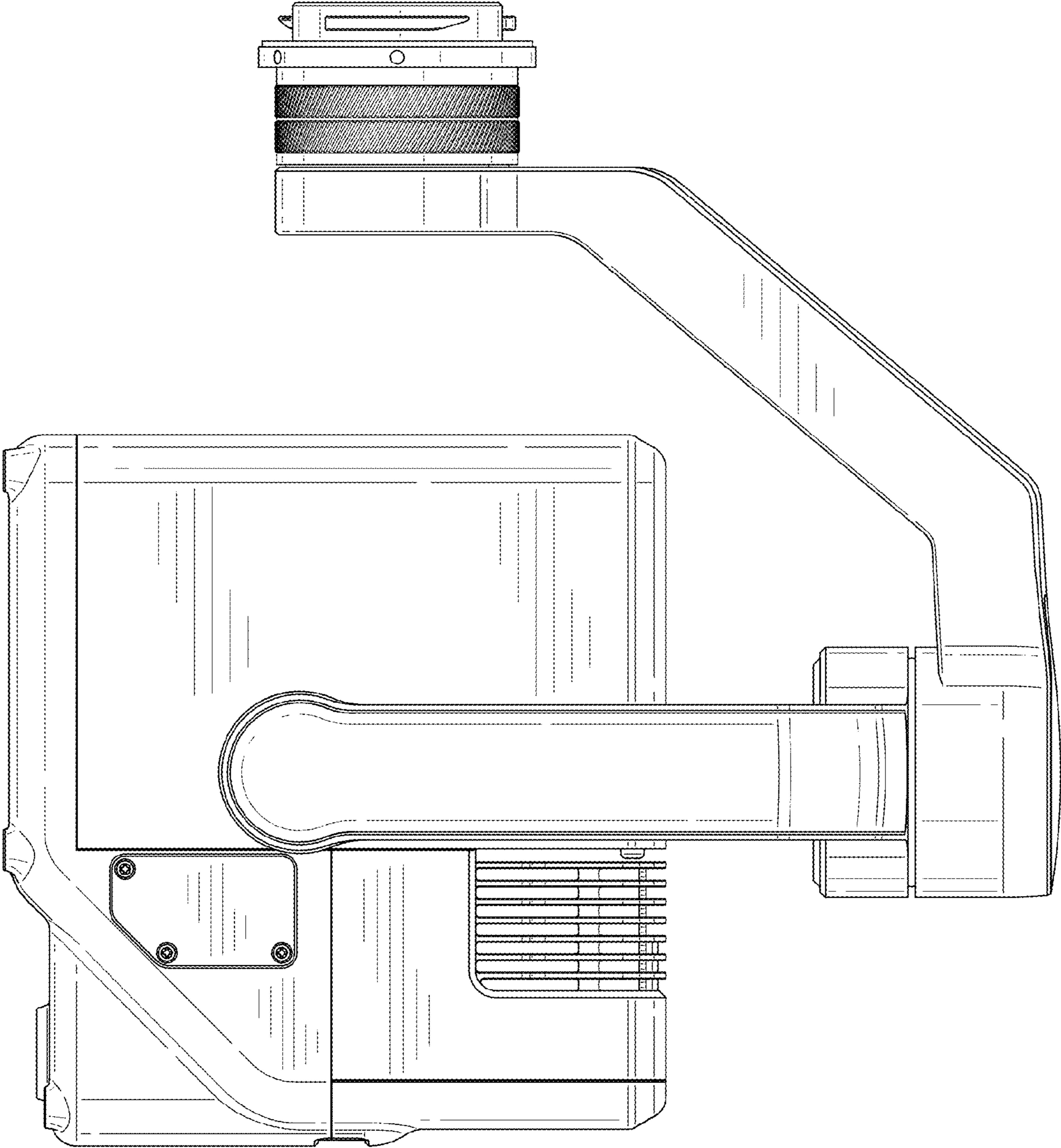


FIG. 6



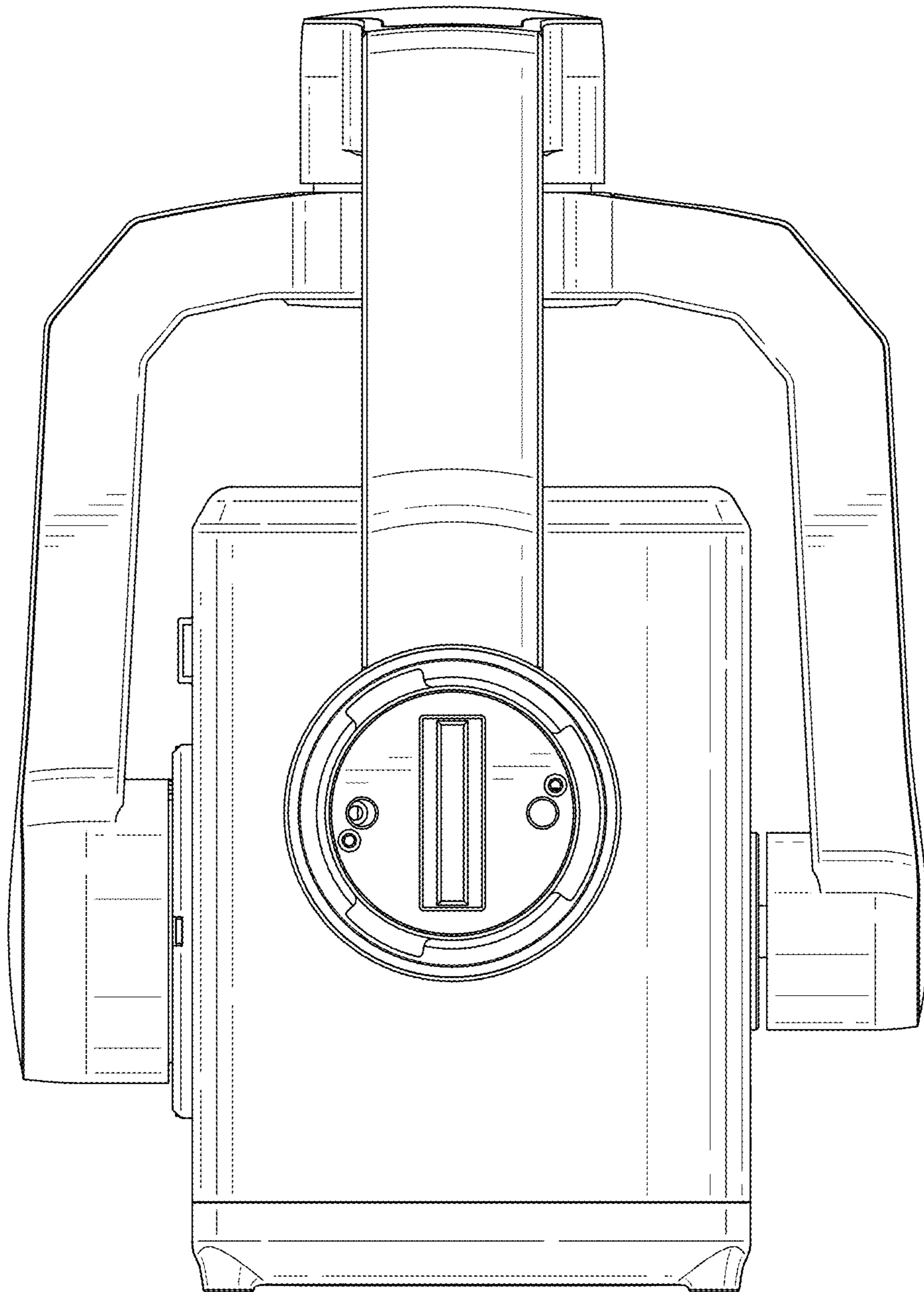


FIG. 7

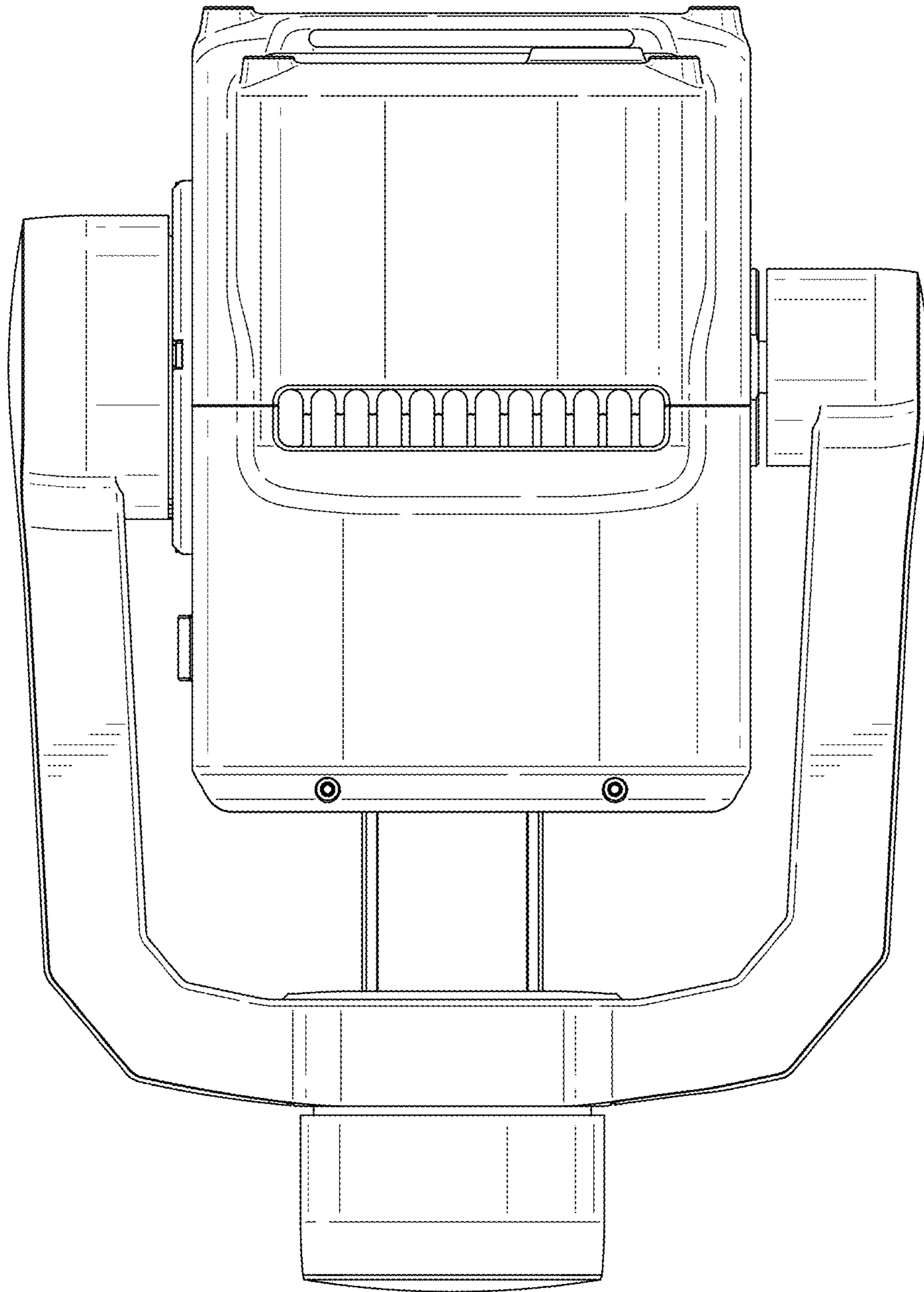


FIG. 8