



US00D944660S

(12) **United States Design Patent**
Friend

(10) **Patent No.:** **US D944,660 S**
(45) **Date of Patent:** **** Mar. 1, 2022**

- (54) **THERMOSTAT WITH TRIM PLATE**
- (71) Applicant: **Johnson Controls Technology Company**, Auburn Hills, MI (US)
- (72) Inventor: **Richard David Friend**, Levittown, PA (US)
- (73) Assignee: **Johnson Controls Tyco IP Holdings LLP**, Milwaukee, WI (US)

D875,569 S 2/2020 Swanson et al.
 D876,260 S 2/2020 Ribbich et al.
 D876,971 S 3/2020 Ribbich et al.
 D895,444 S * 9/2020 DeBoer D10/49
 2006/0192021 A1* 8/2006 Schultz F24F 11/30
 236/1 C
 2006/0192022 A1* 8/2006 Barton F24F 11/30
 236/94
 2013/0310985 A1* 11/2013 Tu H03K 17/962
 700/276

(**) Term: **15 Years**
 (21) Appl. No.: **29/715,446**

- (22) Filed: **Dec. 2, 2019**
- (51) **LOC (13) Cl.** **10-04**
- (52) **U.S. Cl.**
USPC **D10/49**
- (58) **Field of Classification Search**
USPC D10/46, 49, 50; D13/162, 168
CPC F24F 11/30; F24F 11/523; F24F 11/65; F24F
2110/00; F24F 2110/10; G05D 23/1902
See application file for complete search history.

(56) **References Cited**

U.S. PATENT DOCUMENTS

- 6,513,723 B1 * 2/2003 Mueller F23N 5/022
236/46 R
- D595,160 S * 6/2009 Fisher D10/50
- D734,180 S 7/2015 Benichou et al.
- D770,313 S * 11/2016 Turcotte D10/49
- D791,093 S * 7/2017 Clegg D14/125
- D814,321 S 4/2018 Abdala et al.
- 9,964,328 B2 5/2018 Ribbich et al.
- D821,897 S 7/2018 Sinha et al.
- D842,712 S 3/2019 Swanson et al.
- D843,246 S 3/2019 Sinha et al.
- D843,247 S 3/2019 Ribbich et al.
- D852,067 S 6/2019 Ribbich et al.
- D852,650 S * 7/2019 Zakharov D10/49

OTHER PUBLICATIONS

U.S. Appl. No. 29/572,236, filed Jul. 26, 2016, Johnson Controls Technology Company.

(Continued)

Primary Examiner — Leanne Was-Englehart
(74) *Attorney, Agent, or Firm* — Foley & Lardner LLP

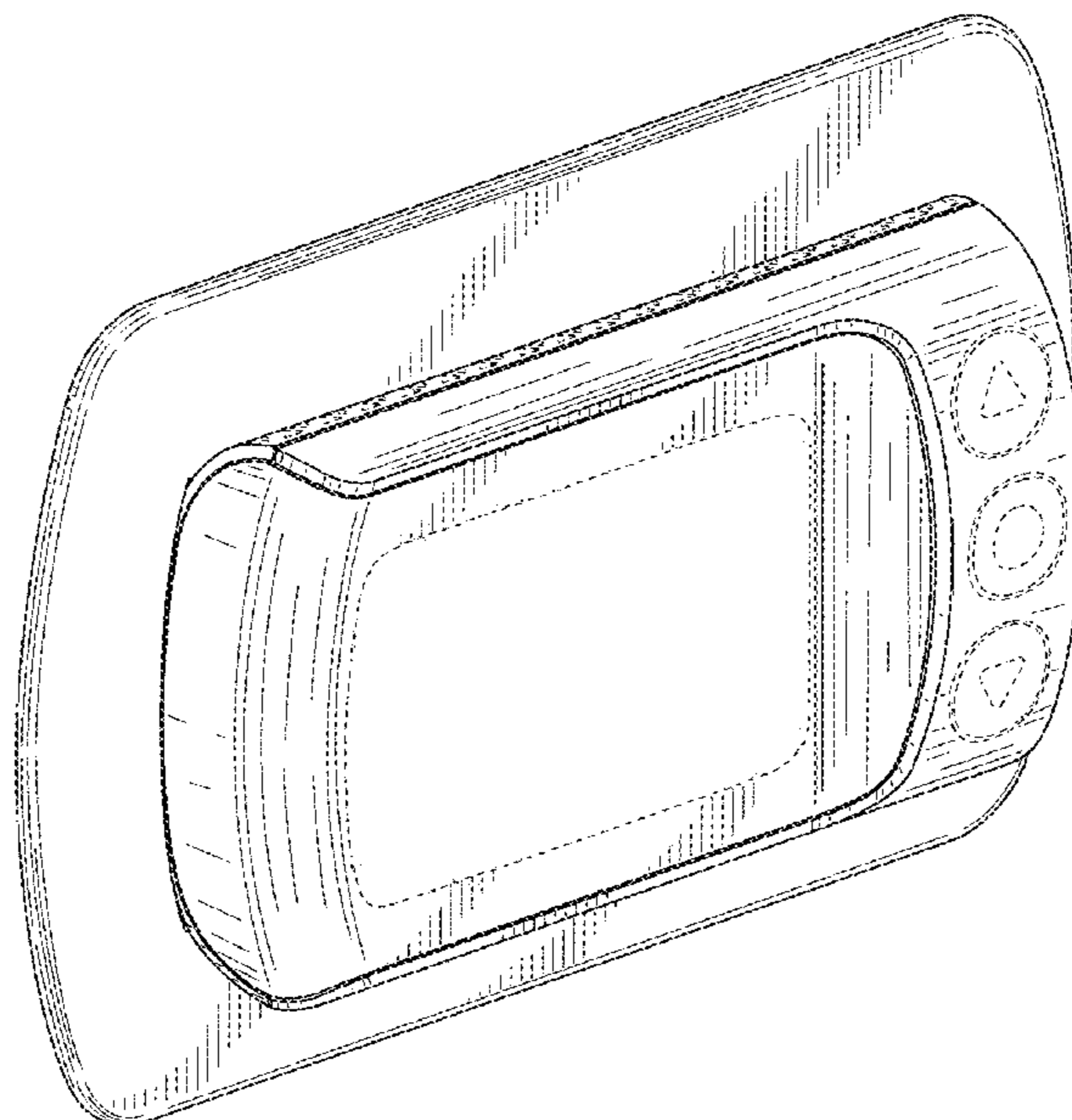
(57) **CLAIM**

I claim the ornamental design for a thermostat with trim plate, as shown and described.

DESCRIPTION

FIG. 1 is a top left perspective view of a thermostat with trim plate;
 FIG. 2 is a top right perspective view according to the claimed design;
 FIG. 3 is a front view according to the claimed design;
 FIG. 4 is a rear view according to the claimed design;
 FIG. 5 is a top view according to the claimed design;
 FIG. 6 is a bottom view according to the claimed design;
 FIG. 7 is a right side view according to the claimed design;
 and,
 FIG. 8 is a left side view according to the claimed design.
 The broken lines depict portions of the thermostat with trim plate that form no part of the claimed design.

1 Claim, 6 Drawing Sheets



(56)

References Cited

OTHER PUBLICATIONS

U.S. Appl. No. 29/610,694, filed Jul. 14, 2017, Johnson Controls Technology Company.

U.S. Appl. No. 29/679,298, filed Feb. 4, 2019, Johnson Controls Technology Company.

U.S. Appl. No. 29/703,968, filed Aug. 30, 2019, Johnson Controls Technology Company.

* cited by examiner

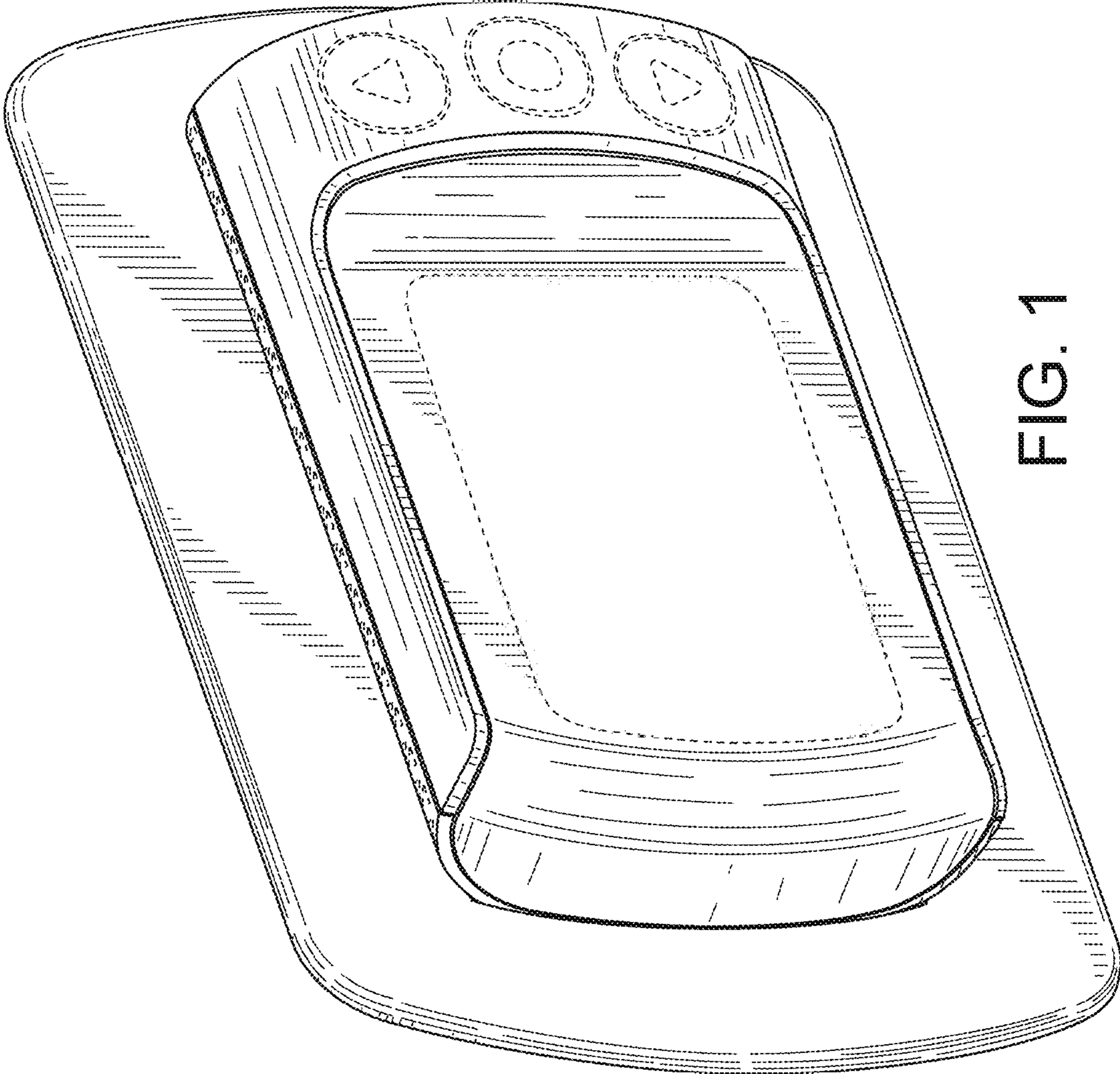


FIG. 1

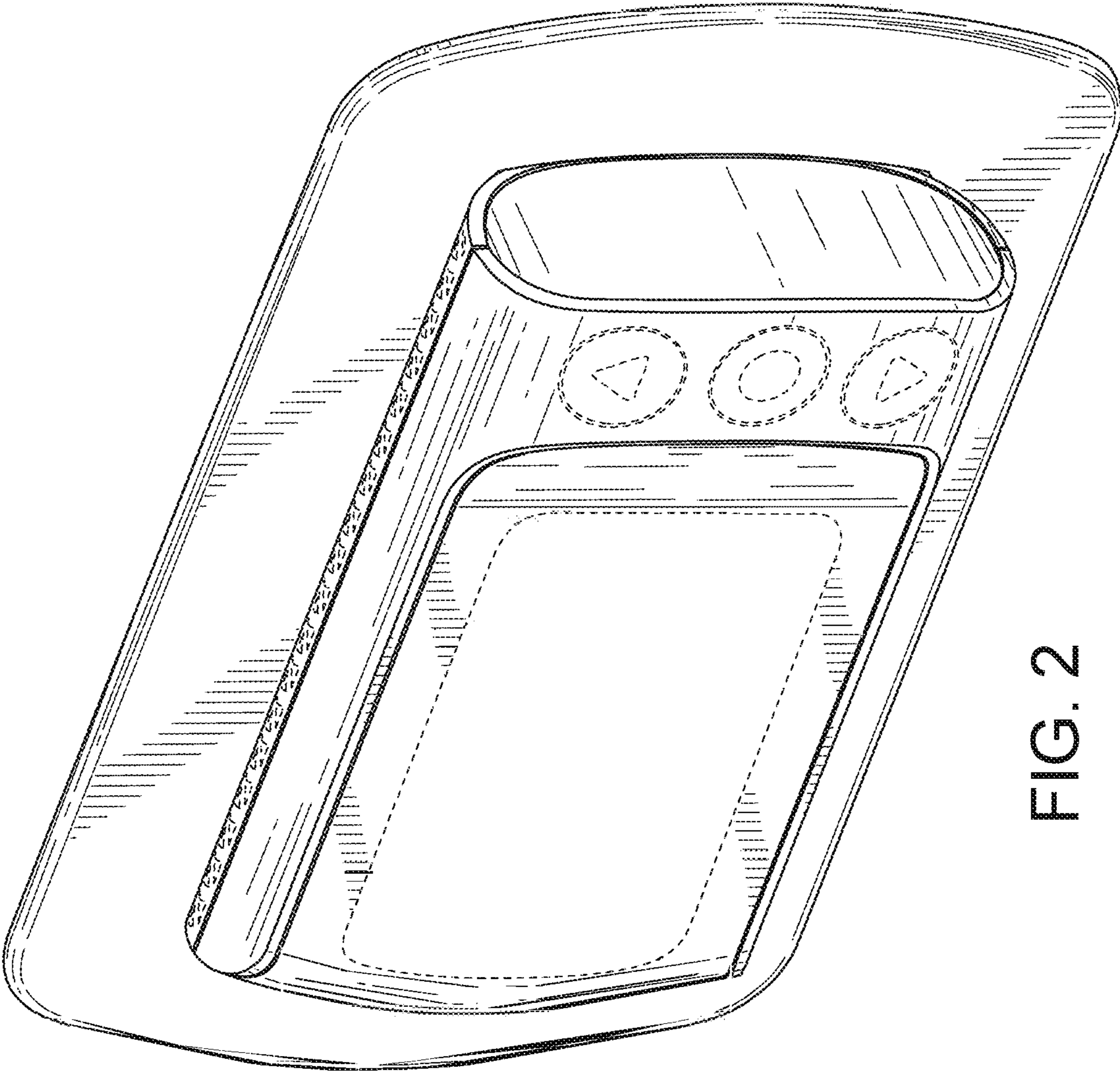


FIG. 2

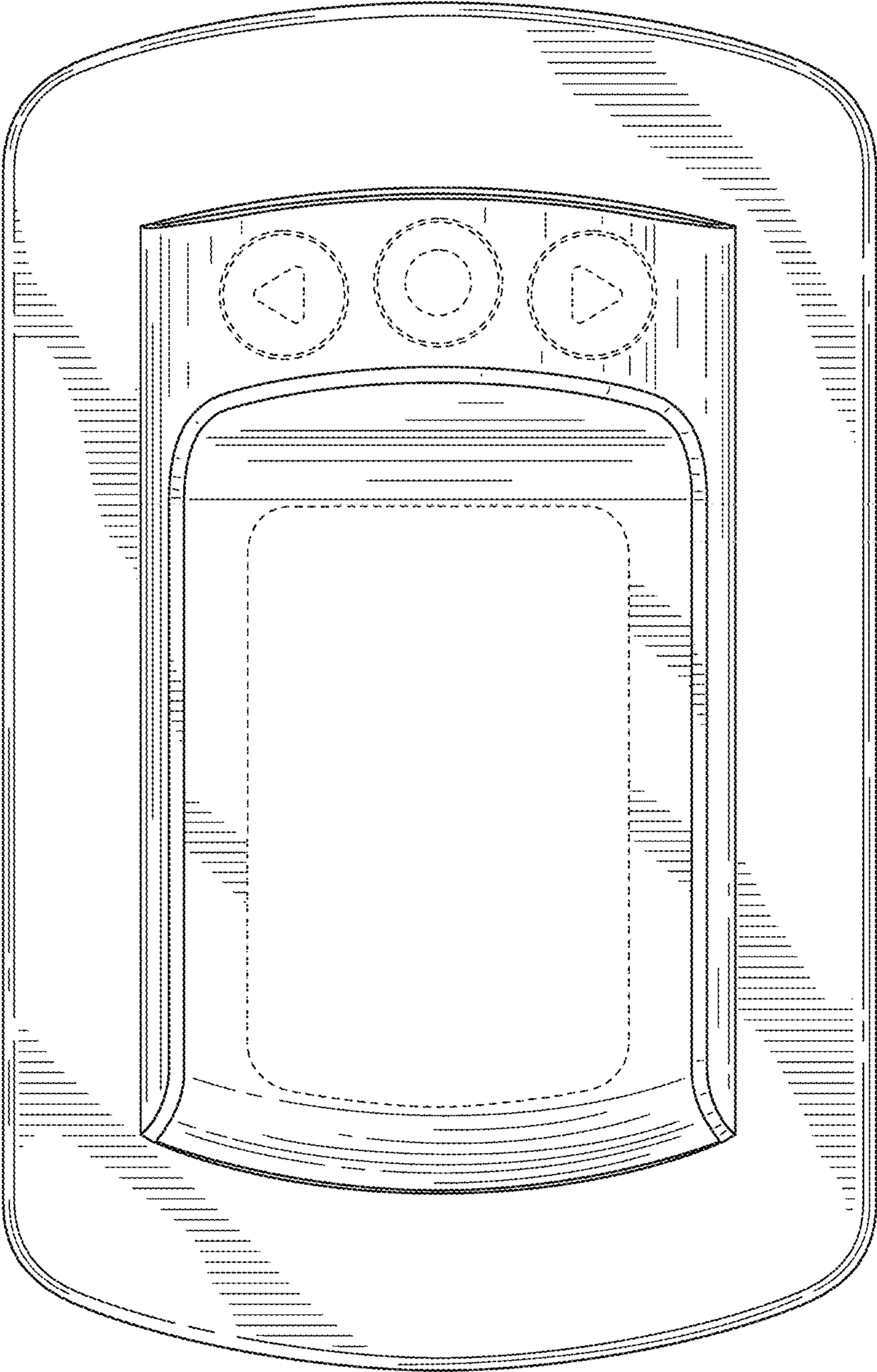


FIG. 3

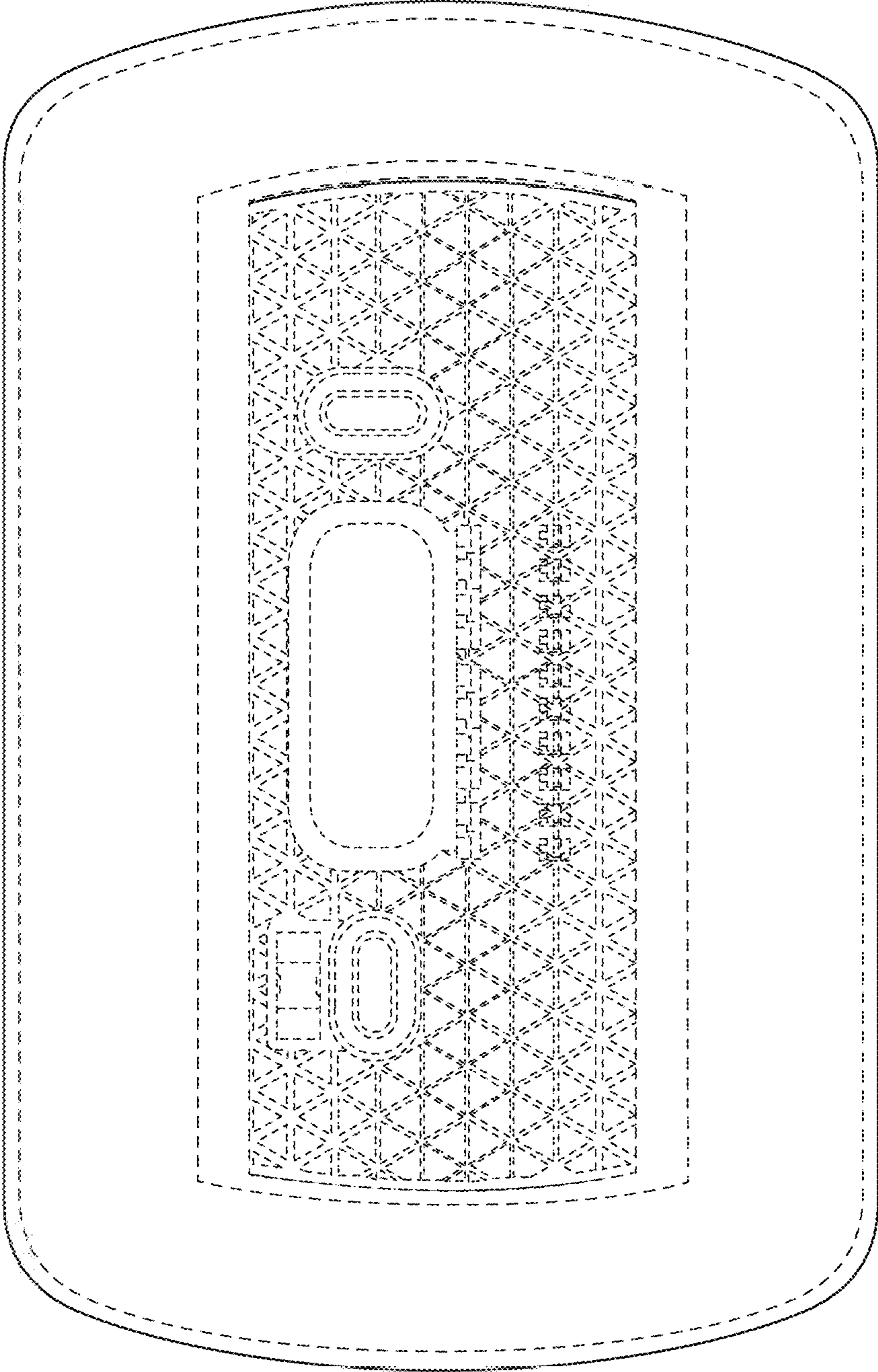


FIG. 4

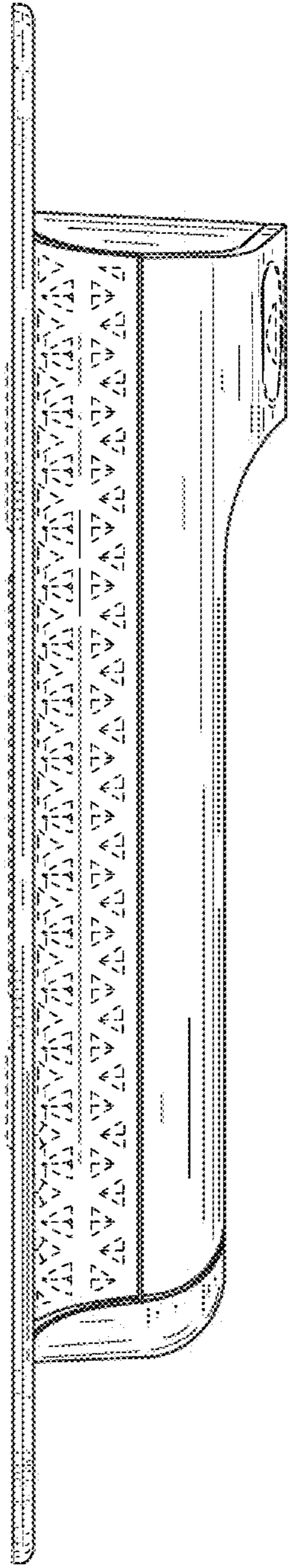


FIG. 5

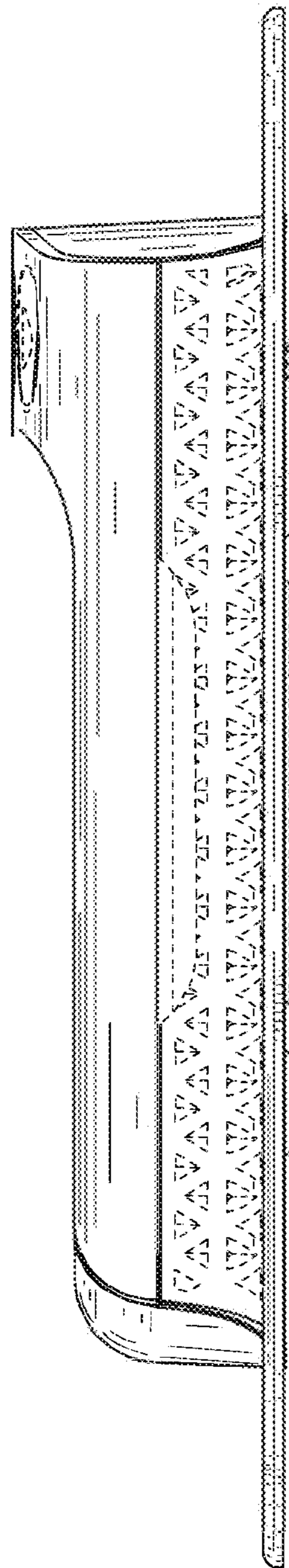


FIG. 6

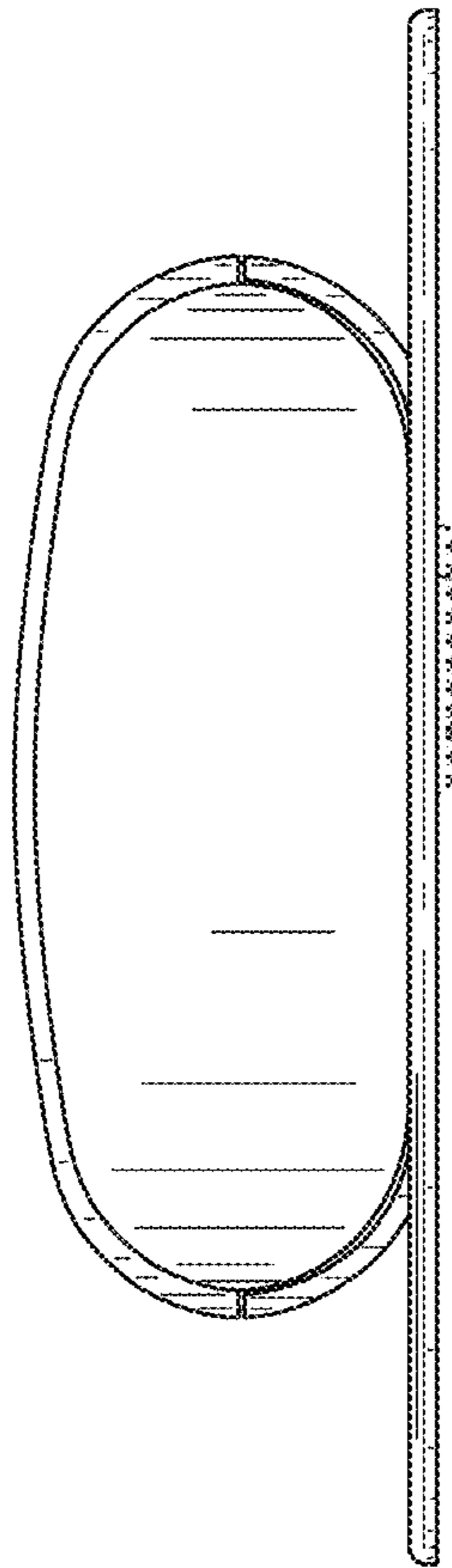


FIG. 7

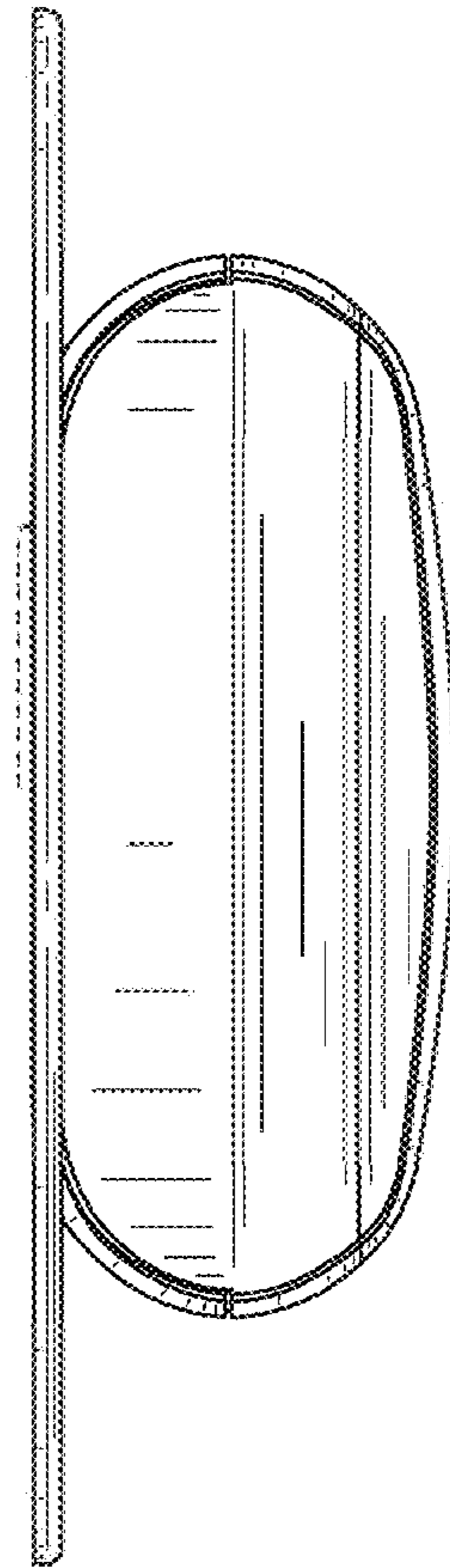


FIG. 8