



US00D944656S

(12) **United States Design Patent**
Spivey, Sr.

(10) **Patent No.:** **US D944,656 S**

(45) **Date of Patent:** **** Mar. 1, 2022**

(54) **CARRIER**

(71) Applicant: **Graphic Packaging International, LLC, Atlanta, GA (US)**

(72) Inventor: **Raymond R. Spivey, Sr., Mableton, GA (US)**

(73) Assignee: **Graphic Packaging International, LLC, Atlanta, GA (US)**

(**) Term: **15 Years**

(21) Appl. No.: **29/740,756**

(22) Filed: **Jul. 7, 2020**

(51) **LOC (13) Cl.** **09-03**

(52) **U.S. Cl.**
USPC **D9/753; D9/752**

(58) **Field of Classification Search**
USPC D9/737, 751-756, 455, 456, 517, 716, D9/719; D7/553.1, 553.4, 553.5, 553.8, D7/555, 701, 708; D3/310-315
(Continued)

(56) **References Cited**

U.S. PATENT DOCUMENTS

2,320,440 A * 6/1943 Kruea B65D 71/406
294/87.26
2,397,376 A * 3/1946 Singer B65D 71/48
294/87.2

(Continued)

FOREIGN PATENT DOCUMENTS

JP 2013-043652 A 3/2013

Primary Examiner — W. A. Teddy Falloway

(74) *Attorney, Agent, or Firm* — Womble Bond Dickinson (US) LLP

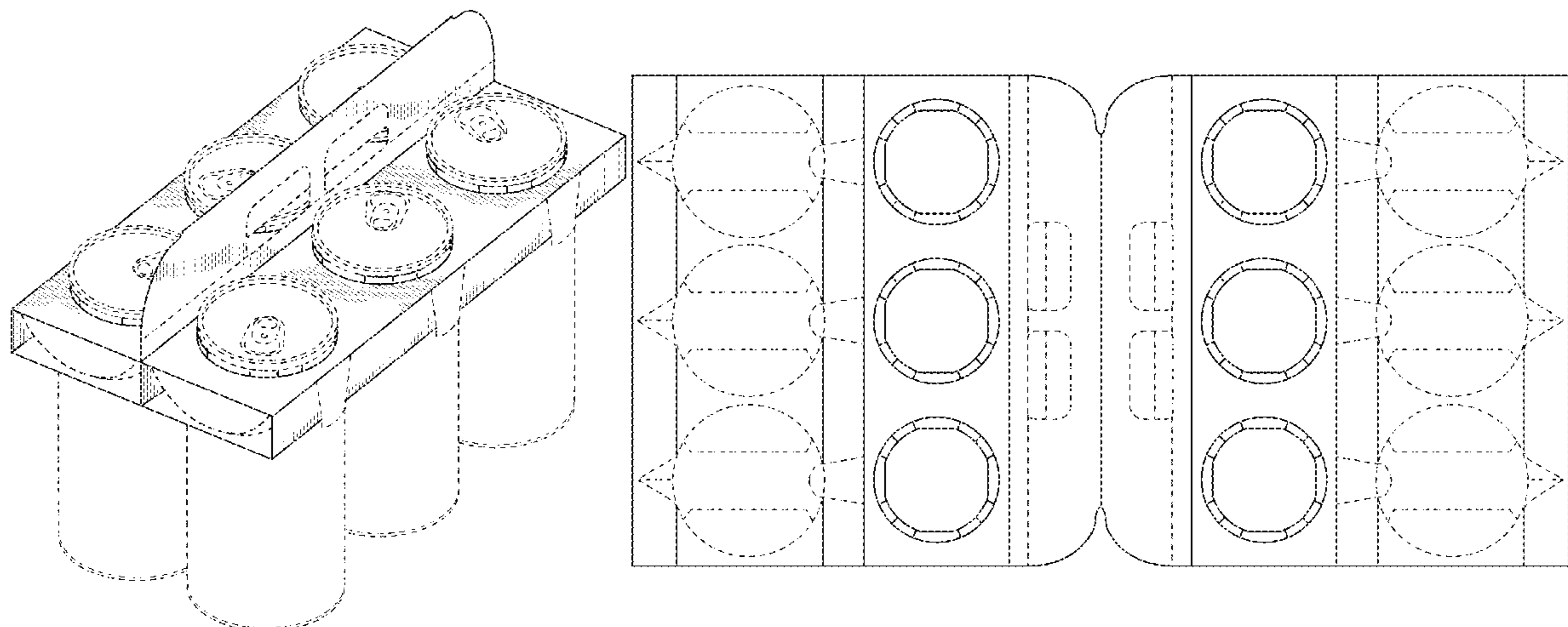
(57) **CLAIM**

The ornamental design for a carrier, as shown and described.

DESCRIPTION

The disclosures of each of U.S. Provisional Patent Application No. 62/779,689, filed on Dec. 14, 2018, U.S. Provisional Patent Application No. 62/783,752, filed on Dec. 21, 2018, U.S. Provisional Patent Application No. 62/796,830, filed on Jan. 25, 2019, U.S. Provisional Patent Application No. 62/797,585, filed on Jan. 28, 2019, U.S. Provisional Patent Application No. 62/810,015, filed on Feb. 25, 2019, U.S. Provisional Patent Application No. 62/814,412, filed on Mar. 6, 2019, U.S. Provisional Patent Application No. 62/817,120, filed on Mar. 12, 2019, U.S. Provisional Patent Application No. 62/841,449, filed on May 1, 2019, U.S. patent application Ser. No. 16/426,050, filed on May 30, 2019, U.S. patent application Ser. No. 16/426,057, filed on May 30, 2019, U.S. patent application Ser. No. 16/426,060, filed on May 30, 2019, U.S. patent application Ser. No. 16/426,063, filed on May 30, 2019, U.S. patent application Ser. No. 16/426,066, filed on May 30, 2019, U.S. Design patent application Ser. No. 29/692,992, filed on May 30, 2019, U.S. Design patent application Ser. No. 29/692,993, filed on May 30, 2019, U.S. Design patent application Ser. No. 29/692,994, filed on May 30, 2019, U.S. Design patent application Ser. No. 29/692,996, filed on May 30, 2019, U.S. Design patent application Ser. No. 29/692,997, filed on May 30, 2019, U.S. patent application Ser. No. 16/598,282, filed on Oct. 10, 2019, U.S. Design patent application Ser. No. 29/709,918, filed on Oct. 18, 2019, U.S. Provisional Patent Application No. 62/952,839, filed on Dec. 23, 2019, U.S. Provisional Patent Application No. 62/956,882, filed on Jan. 3, 2020, U.S. Provisional Patent Application No. 62/985,997, filed on Mar. 6, 2020, U.S. patent application Ser. No. 16/829,346, filed on Mar. 25, 2020, U.S. Provisional Patent Application No. 63/015,898, filed on Apr. 27, 2020, U.S. Provisional Patent Application No. 63/022,757, filed on May 11, 2020, and U.S. Provisional Patent Application No. 63/023,442, filed on May 12, 2020, U.S. Design patent application Ser. No. 29/735,178, filed on May 19, 2020, U.S. Provisional Patent Application No. 63/031,615, filed on May 29, 2020, U.S. Design patent application Ser. No. 29/739,927, filed on Jun. 30, 2020, U.S. Design patent application

(Continued)



Ser. No. 29/739,929, filed on Jun. 30, 2020, U.S. Design patent application Ser. No. 29/739,931, filed on Jun. 30, 2020, U.S. Design patent application Ser. No. 29/739,933, filed on Jun. 30, 2020, and U.S. Design patent application Ser. No. 29/739,934, filed on Jun. 30, 2020, are hereby incorporated by reference for all purposes as if presented herein in their entirety.

FIG. 1 is a perspective view of a carrier showing our new design.

FIG. 2 is a front elevation view of the carrier of FIG. 1, the rear elevation view is a mirror image.

FIG. 3 is a left elevation view of the carrier of FIG. 1, the right elevation view is a mirror image.

FIG. 4 is a top plan view of the carrier of FIG. 1.

FIG. 5 is a bottom plan view of the carrier of FIG. 1; and, FIG. 6 is a plan view of the carrier of FIG. 1 shown in an unfolded configuration.

All evenly-spaced broken lines are for environmental purposes only and do not form part of the claimed design.

1 Claim, 6 Drawing Sheets

(58) Field of Classification Search

CPC .. B65D 2571/0066; B65D 2571/00277; B65D 2571/0029; B65D 71/0022; B65D 71/50; B65B 17/025

See application file for complete search history.

(56) References Cited

U.S. PATENT DOCUMENTS

2,397,716 A * 4/1946 Wendler B65D 71/40
294/87.2
2,513,715 A * 7/1950 Deerwester B65D 71/50
294/87.28
2,581,100 A * 1/1952 Hennessy B65D 81/368
446/80
2,680,038 A * 6/1954 Gray B65D 71/44
294/87.2
2,737,326 A * 3/1956 Toensmeier B65D 71/48
294/87.2
2,965,410 A * 12/1960 Hughes B65D 71/42
294/87.2
3,046,711 A * 7/1962 Harrison B65D 71/508
53/398
3,085,683 A * 4/1963 Harrison B65D 71/508
206/161
3,245,711 A * 4/1966 Dantoin B65D 71/44
294/87.2
5,320,216 A * 6/1994 Pangborn B65D 71/48
206/148
5,682,982 A * 11/1997 Stonehouse B65D 71/42
206/142

5,706,936 A * 1/1998 Bernstein B65D 71/44
206/145
5,735,394 A * 4/1998 Harrelson B65D 71/44
206/151
5,816,391 A * 10/1998 Harris B65D 71/44
206/147
6,082,532 A * 7/2000 Miess B65D 71/44
206/158
6,168,012 B1 * 1/2001 Galbierz B65D 71/46
206/151
7,448,492 B2 11/2008 Sutherland
7,677,387 B2 3/2010 Brand et al.
7,913,844 B2 3/2011 Spivey, Sr.
8,020,695 B2 9/2011 Brand
8,087,512 B2 1/2012 Brand
8,256,617 B2 9/2012 Gomes et al.
8,297,437 B2 10/2012 Smalley et al.
8,317,082 B2 11/2012 May et al.
8,347,591 B2 1/2013 Coltri-Johnson
8,376,213 B2 2/2013 Brand
8,622,207 B2 1/2014 Smalley
8,869,979 B2 10/2014 Smalley
8,936,149 B2 1/2015 Smalley
8,997,986 B2 4/2015 Spivey, Sr.
9,022,277 B2 5/2015 Hendricks et al.
9,061,810 B2 6/2015 Brand
9,199,774 B2 12/2015 Smalley et al.
9,376,250 B2 6/2016 Spivey, Sr.
9,415,914 B2 8/2016 Holley, Jr.
9,567,120 B2 2/2017 Spivey, Sr. et al.
9,708,112 B2 7/2017 Sutherland et al.
9,845,182 B2 12/2017 Baldino et al.
10,214,334 B2 2/2019 Jones et al.
10,301,090 B2 5/2019 Holley, Jr.
D854,412 S 7/2019 Smalley
10,384,846 B2 8/2019 Bates et al.
D861,483 S 10/2019 Smalley
D867,900 S 11/2019 Thompson et al.
10,513,367 B2 12/2019 Smalley et al.
10,513,381 B2 12/2019 Nielsen et al.
10,518,951 B2 12/2019 Holley, Jr.
D872,597 S 1/2020 Holley, Jr.
10,543,969 B2 1/2020 Gonzalez et al.
D878,931 S 3/2020 Boersma
D878,932 S 3/2020 Yamaguchi et al.
D883,803 S 5/2020 Smalley
D886,640 S 6/2020 Boersma
10,669,061 B2 6/2020 Smalley et al.
10,766,680 B2 9/2020 Holley, Jr.
2007/0158226 A1 7/2007 Coltri-Johnson et al.
2007/0241017 A1 10/2007 Sutherland et al.
2010/0147932 A1 6/2010 Brand
2012/0285854 A1 * 11/2012 Spivey, Sr. B65D 71/46
206/427
2013/0032496 A1 * 2/2013 Spivey, Sr. B65D 71/46
206/156
2016/0122101 A1 5/2016 Bouie et al.
2020/0189821 A1 * 6/2020 Smalley B65D 71/48
2020/0223612 A1 * 7/2020 Swenson B65D 75/02
2021/0276776 A1 * 9/2021 Zammit B65D 71/44

* cited by examiner

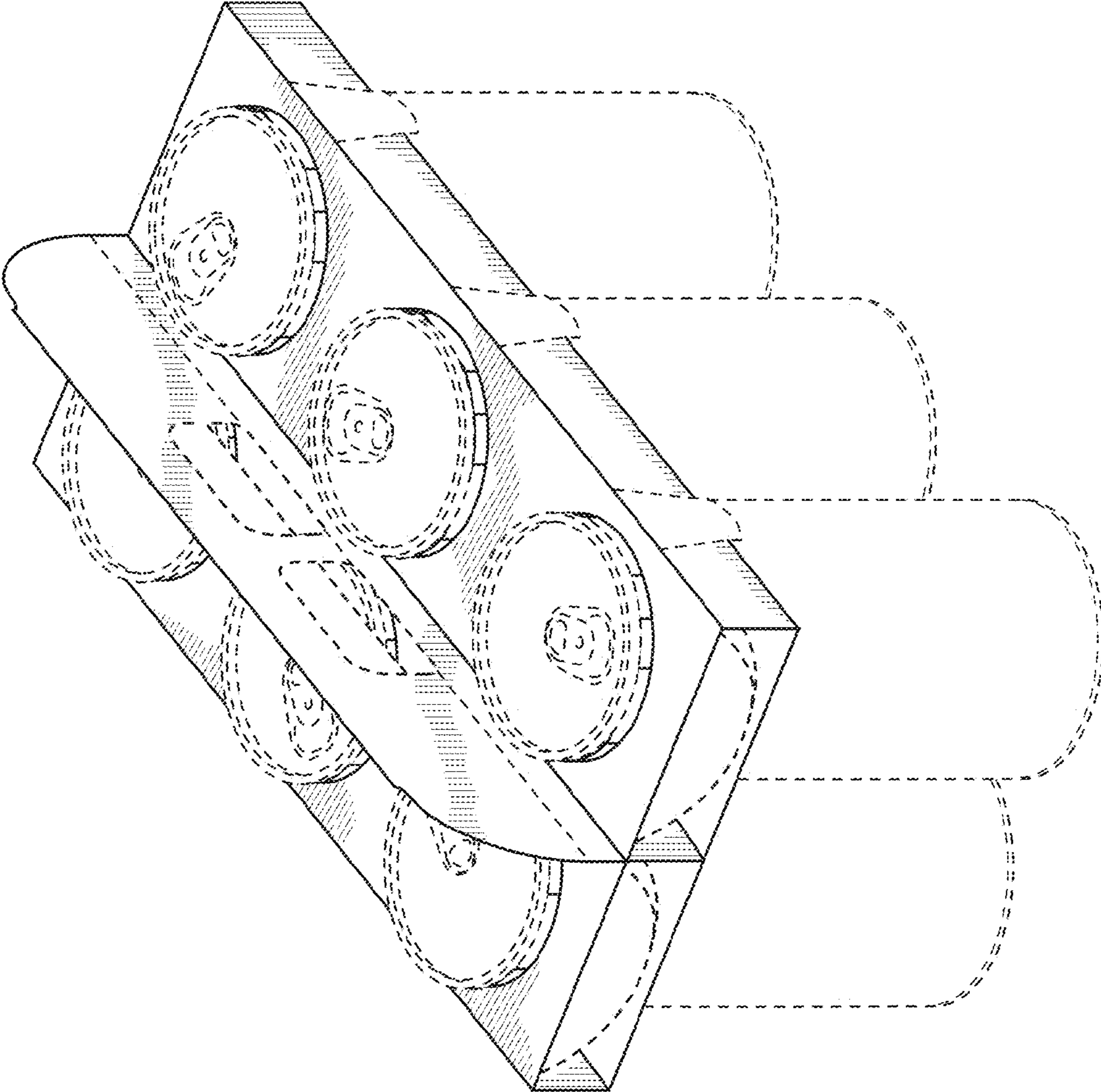


FIG. 1

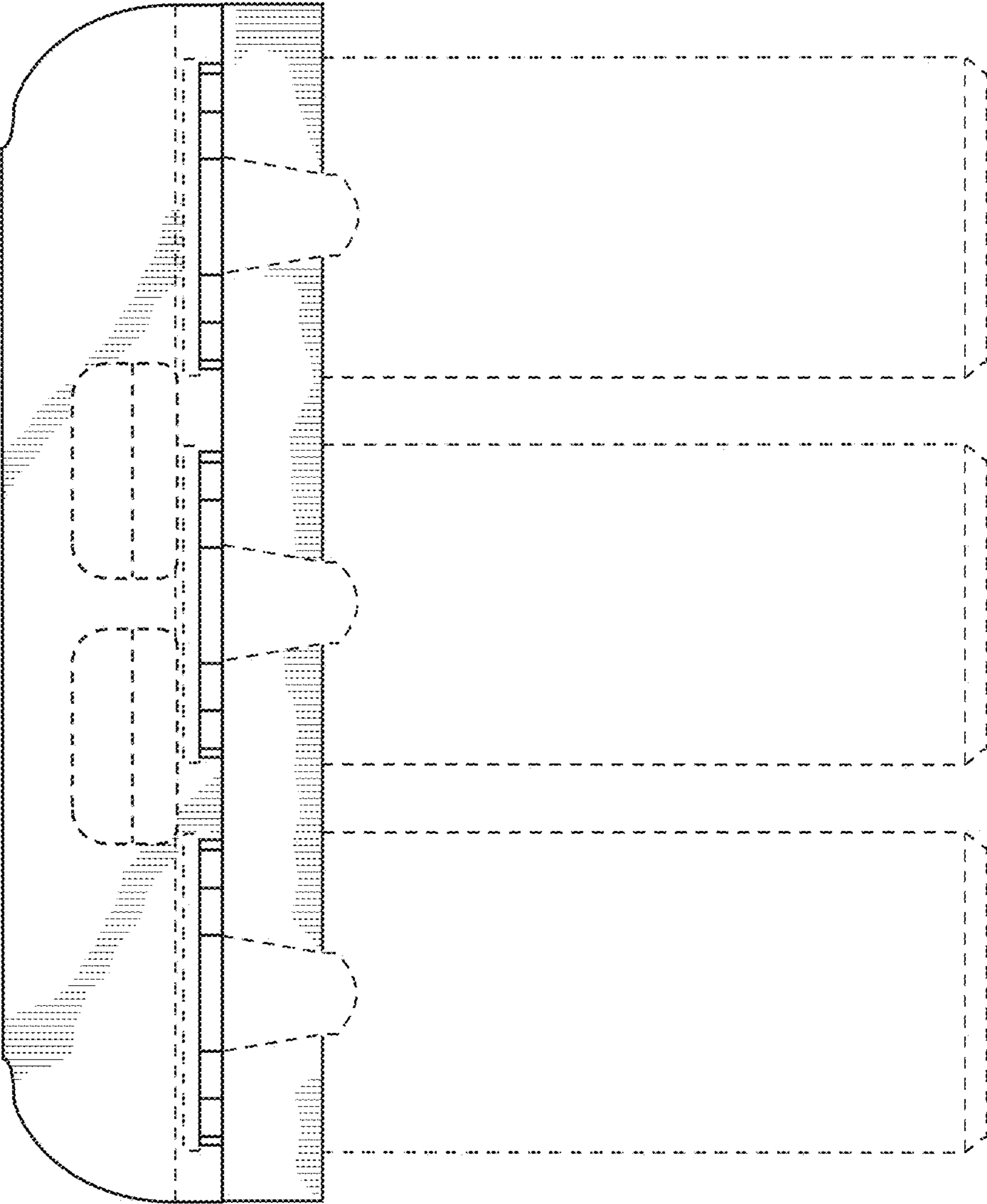


FIG. 2

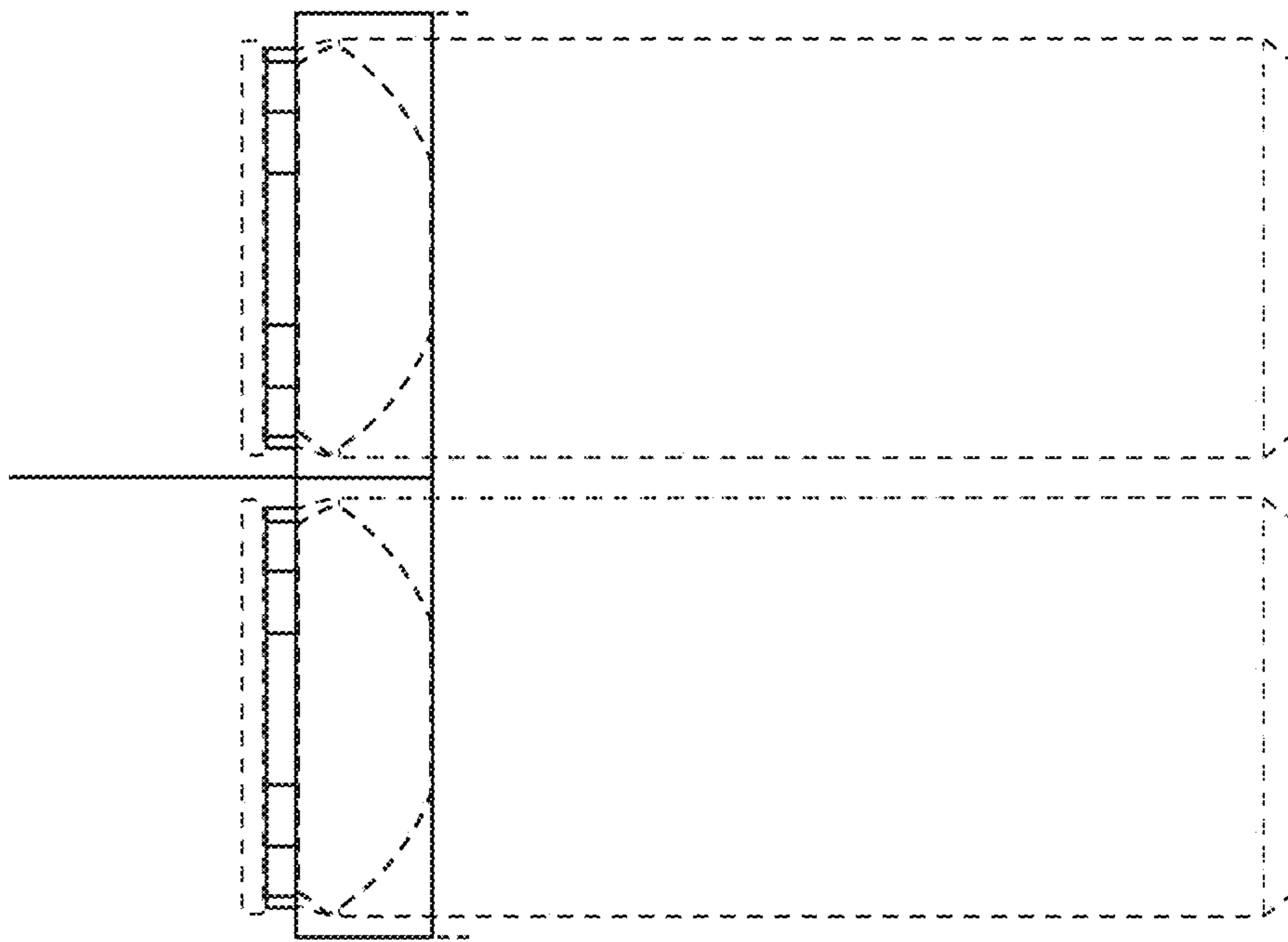


FIG. 3

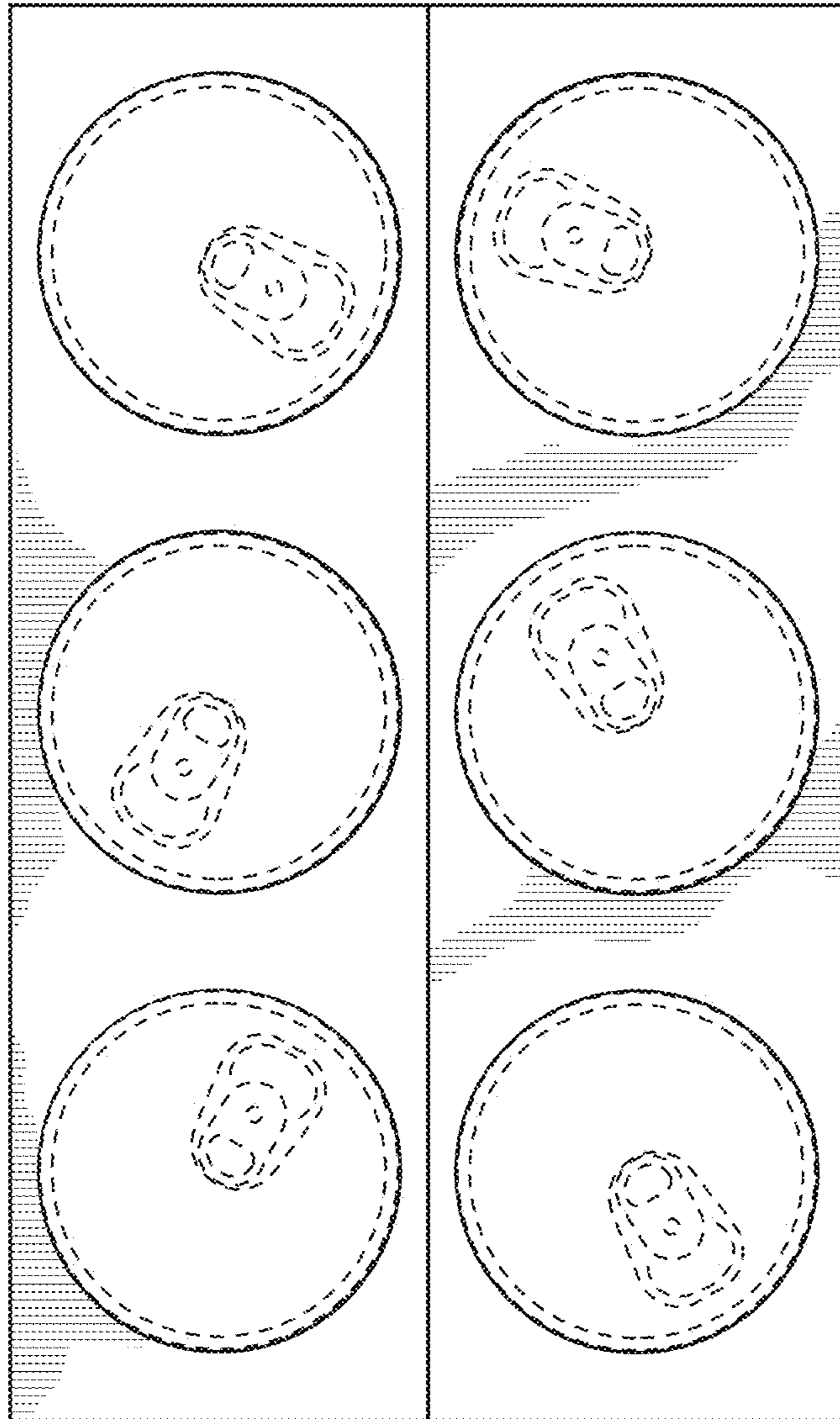


FIG. 4

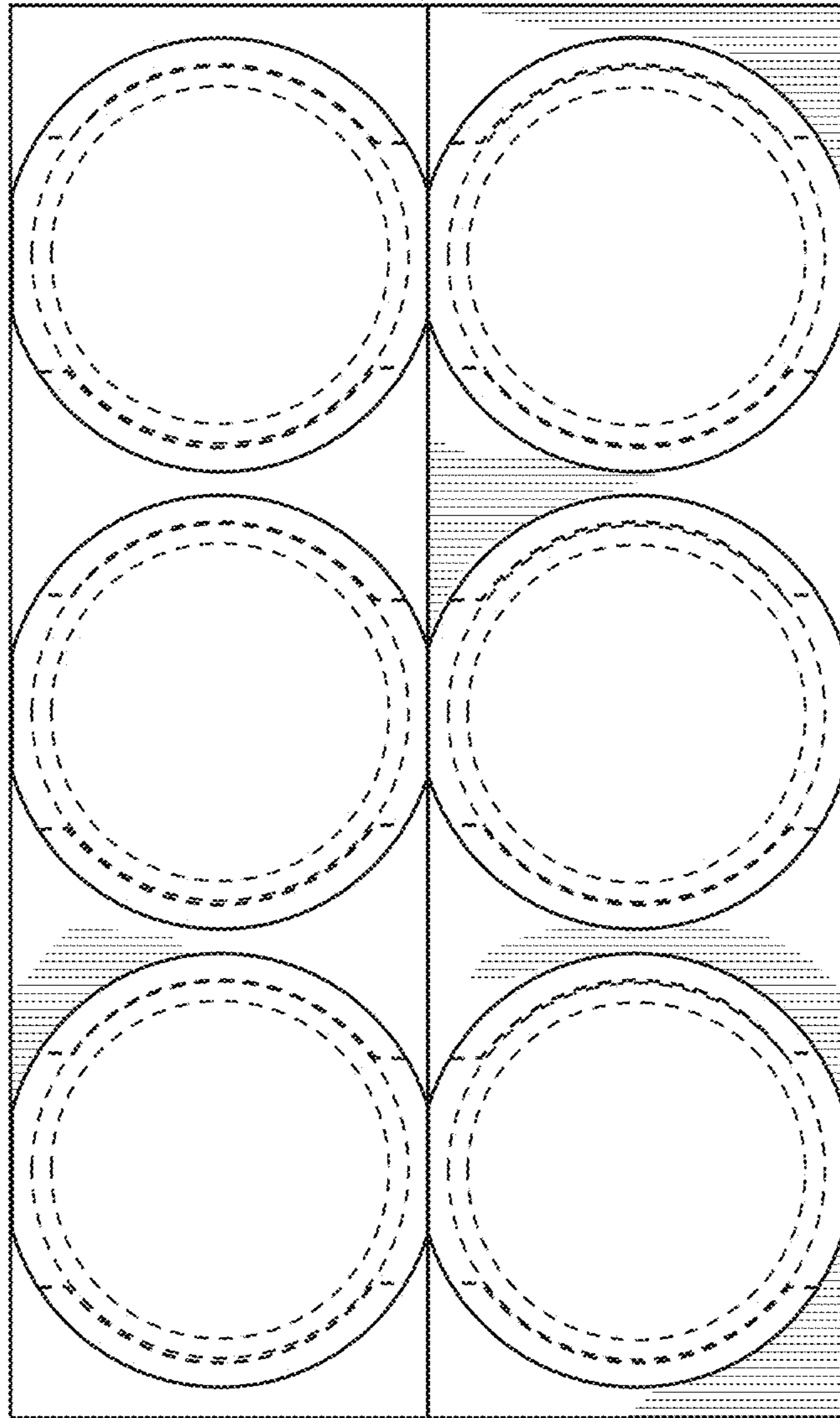


FIG. 5

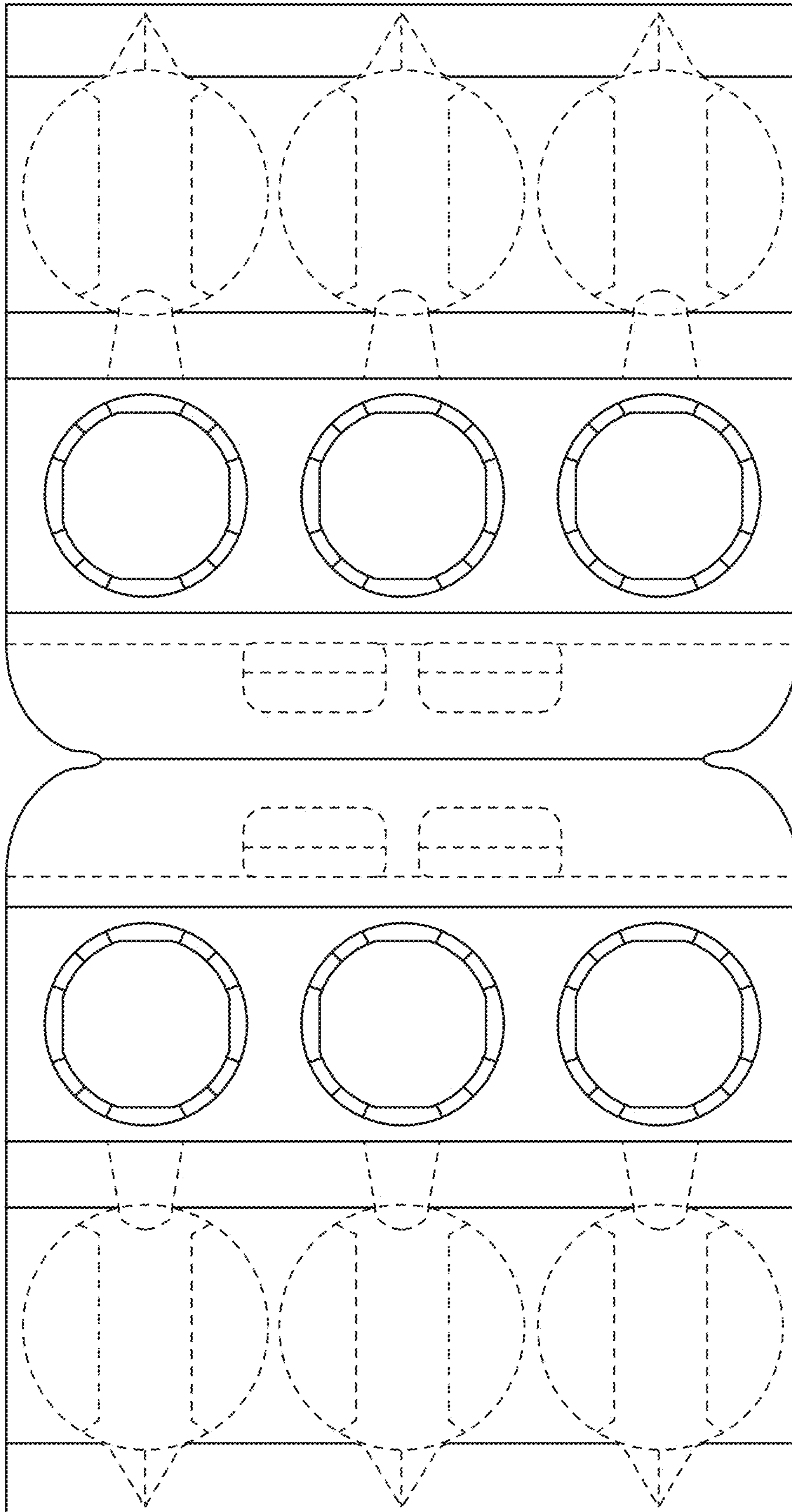


FIG. 6