



US00D944655S

(12) **United States Design Patent**  
**Rattanapaibooncharoen**

(10) **Patent No.:** **US D944,655 S**  
(45) **Date of Patent:** **\*\* Mar. 1, 2022**

(54) **DOUBLE CUP CARRIER**

(71) Applicant: **Jirasak Rattanapaibooncharoen,**  
Tigard, OR (US)

(72) Inventor: **Jirasak Rattanapaibooncharoen,**  
Tigard, OR (US)

(\*\*) Term: **15 Years**

(21) Appl. No.: **29/715,289**

(22) Filed: **Nov. 29, 2019**

(51) **LOC (13) Cl.** ..... **09-03**

(52) **U.S. Cl.**  
USPC ..... **D9/753; D9/433**

(58) **Field of Classification Search**  
USPC ..... D9/414-420, 421-433, 434, 442, 445,  
D9/456, 542, 563, 600, 614-624, 707,  
(Continued)

(56) **References Cited**

**U.S. PATENT DOCUMENTS**

2,371,317 A 3/1945 Ringler  
2,533,997 A \* 12/1950 Cochrane ..... A47G 23/0616  
294/159

(Continued)

**FOREIGN PATENT DOCUMENTS**

CN 101801807 6/2012  
KR 3020120033353 \* 8/2012

(Continued)

**OTHER PUBLICATIONS**

Splittable Drink Carriers (400 units Plain White). Online, published date unknown. Retrieved on Aug. 15, 2021 from URL: <https://www.packgenie.co.uk/products/beer-carriers?variant=31601205674057>.\*

(Continued)

*Primary Examiner* — Susan Bennett Hattan

*Assistant Examiner* — Omeed Agilee

(74) *Attorney, Agent, or Firm* — Enterprise Patent LLC

(57) **CLAIM**

I claim the ornamental design for a double cup carrier, as shown and described.

**DESCRIPTION**

FIG. 1 is a top plan view of a double cup carrier of my new design in an unfolded configuration (and the bottom view is a mirror image of the top plan view);

FIG. 2 is a right side elevation view of the double cup carrier thereof (and the left side elevation view is an identical image of the right side elevation view);

FIG. 3 is a front elevation view of the double cup carrier thereof (and the rear elevation view is an identical image of the front elevation view);

FIG. 4 is a front elevation view of the double cup carrier thereof, shown in a folded configuration;

FIG. 5 is a rear elevation view of the double cup carrier of FIG. 1, shown in a folded configuration;

FIG. 6 is an isometric view of the double cup carrier of FIG. 1, shown in a folded configuration;

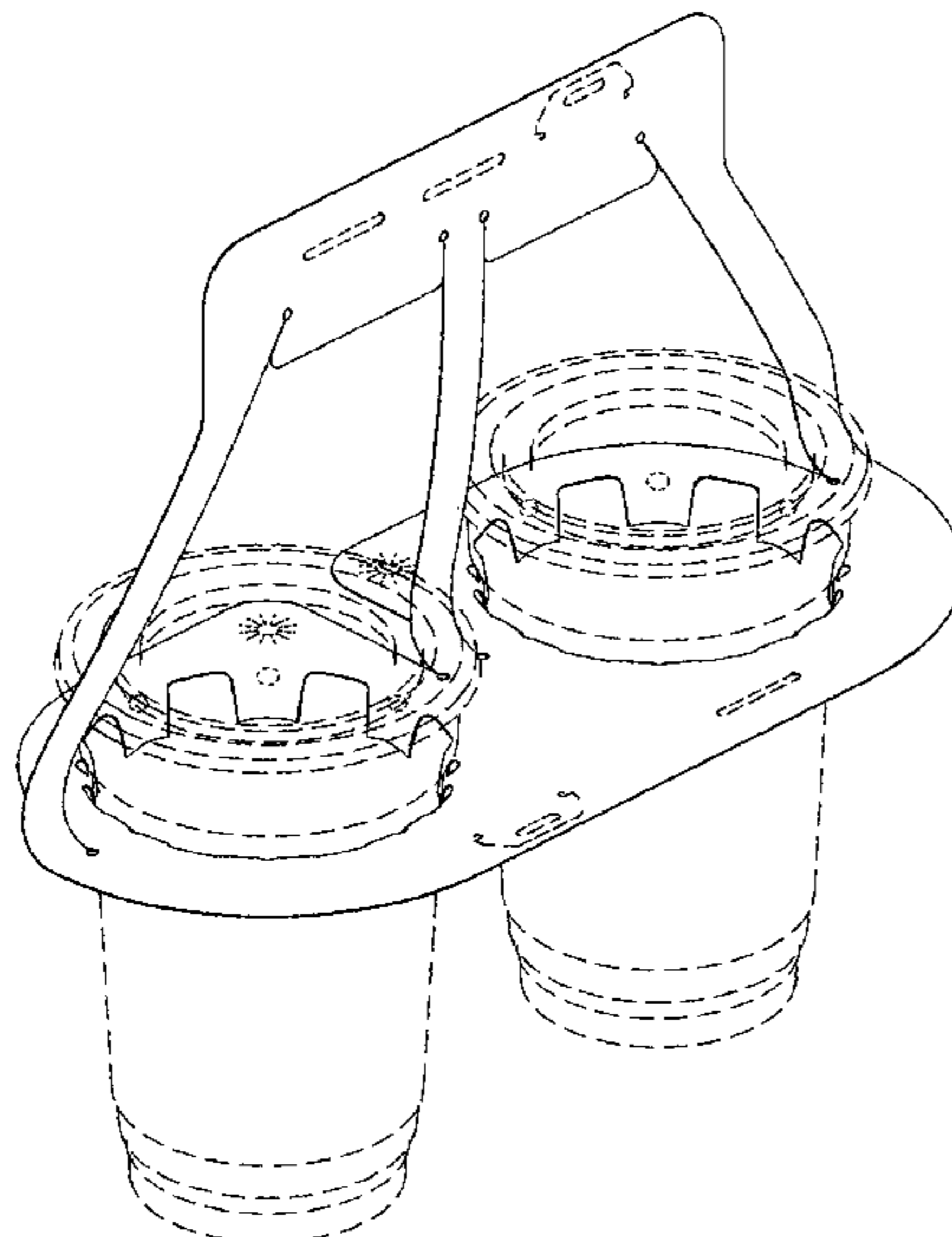
FIG. 7 is a right side elevation view of the double cup carrier of FIG. 1, shown in a folded configuration (and the left side elevation view is a mirror image of the right side elevation view of the folded configuration);

FIG. 8 is top plan view of the double cup carrier of FIG. 1, shown in a folded configuration; and,

FIG. 9 is bottom view of the double cup carrier of FIG. 1, shown in a folded configuration.

The longer-sized dash lines in the form of two cups depict environmental subject matter and form no part of the claimed design. The medium-sized and shorter-sized dash lines in the drawings depict portions of the double cup carrier that form no part of the claimed design.

**1 Claim, 4 Drawing Sheets**



(58) **Field of Classification Search**

USPC ..... D9/708, 711, 751–755, 759; D3/273,  
 D3/276, 304, 309–313; D7/601, 602, 709  
 CPC ..... B65D 5/00; B65D 5/001; B65D 5/0027;  
 B65D 5/0254; B65D 5/18; B65D 5/38;  
 B65D 5/40; B65D 5/2033; B65D  
 5/48024; B65D 5/6605; B65D 1/22;  
 B65D 1/24; B65D 1/34; B65D 71/0007;  
 B65D 71/50; B65B 5/06

See application file for complete search history.

(56) **References Cited**

U.S. PATENT DOCUMENTS

3,298,563 A 1/1967 Rabb  
 3,367,557 A \* 2/1968 Farquhar ..... B65D 71/32  
 206/140  
 4,196,807 A 4/1980 Brom  
 D286,507 S \* 11/1986 Drago ..... D6/535  
 D287,789 S \* 1/1987 Johnson ..... D12/420  
 4,799,723 A 1/1989 Mahaffy  
 4,850,479 A 7/1989 Bird  
 5,060,999 A \* 10/1991 Marvin ..... B65D 71/504  
 294/87.2  
 5,069,335 A 12/1991 Beales  
 5,098,144 A 3/1992 Marvin  
 5,267,644 A 12/1993 Tsao  
 5,624,024 A \* 4/1997 Miess ..... B65D 71/004  
 206/172  
 5,755,474 A 5/1998 Slomski  
 6,129,397 A 10/2000 Borg  
 6,561,353 B2 5/2003 Levieux et al.

8,091,702 B1 \* 1/2012 Keip ..... B65D 71/004  
 206/171  
 D709,375 S \* 7/2014 Smith ..... D9/455  
 D732,977 S \* 6/2015 Booth ..... D9/752  
 9,932,160 B2 4/2018 Smith  
 D831,503 S \* 10/2018 Borg ..... D9/753  
 D889,960 S \* 7/2020 Kollias ..... D9/433  
 D918,057 S \* 5/2021 L'Heureux ..... D9/752  
 D924,680 S \* 7/2021 Johnson ..... D9/432  
 2007/0199859 A1 8/2007 Cook et al.  
 2008/0087558 A1 \* 4/2008 Libit ..... B65D 71/0074  
 206/196  
 2008/0203204 A1 8/2008 Olsen  
 2009/0266872 A1 \* 10/2009 Fogle ..... B65D 71/16  
 229/100  
 2010/0096397 A1 \* 4/2010 Weinberger ..... B65D 71/72  
 220/738  
 2015/0353252 A1 12/2015 Zammit et al.  
 2021/0163199 A1 \* 6/2021 Rattanapaibooncharoen .....  
 A47G 23/0225

FOREIGN PATENT DOCUMENTS

KR 101656733 9/2016  
 KR 10-2019-0041664 4/2019  
 KR 3020200015537 \* 10/2020  
 WO 2013019834 2/2013

OTHER PUBLICATIONS

UKIPO Search Report (Apr. 26, 2021).

\* cited by examiner

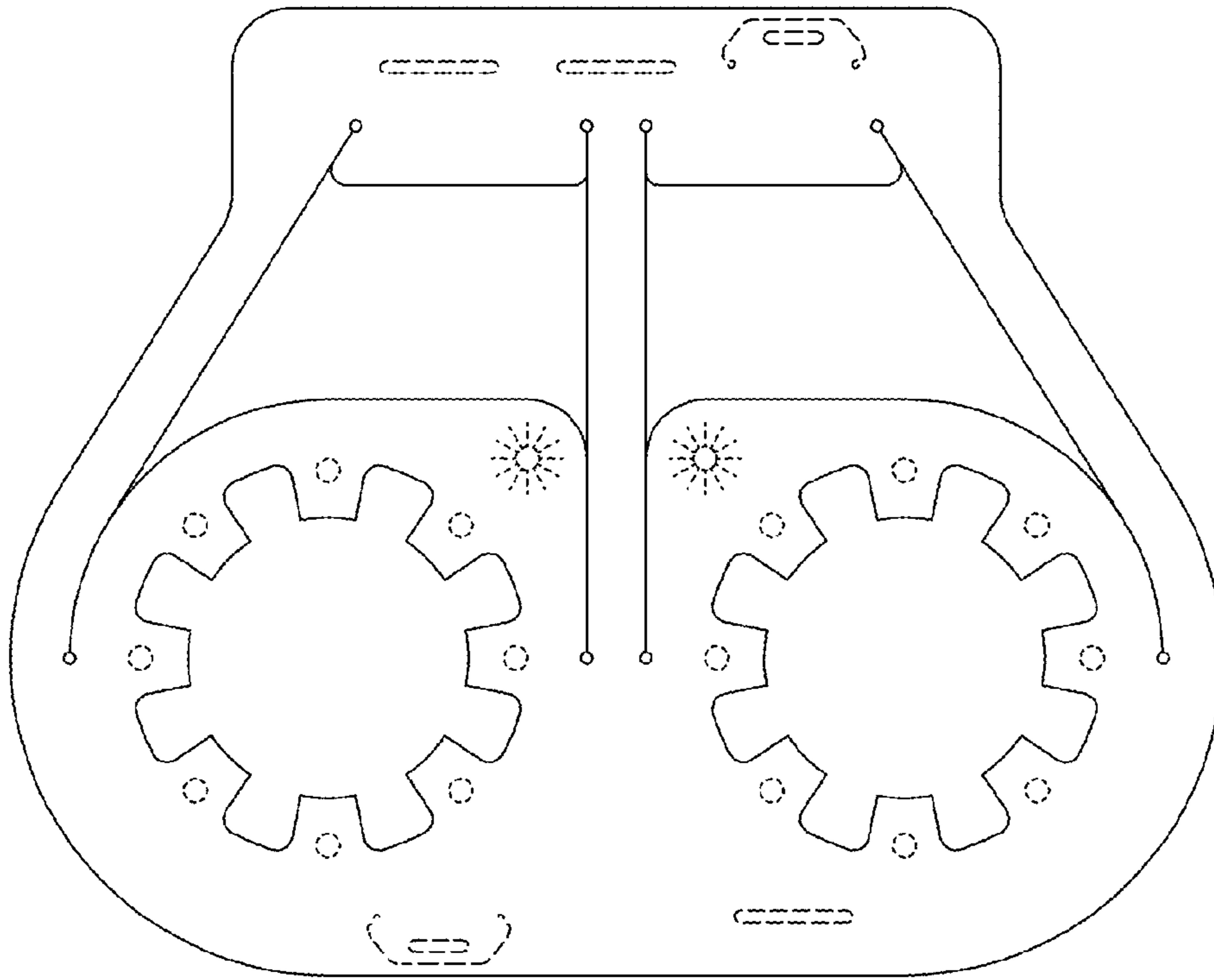


FIG. 1



FIG. 2



FIG. 3

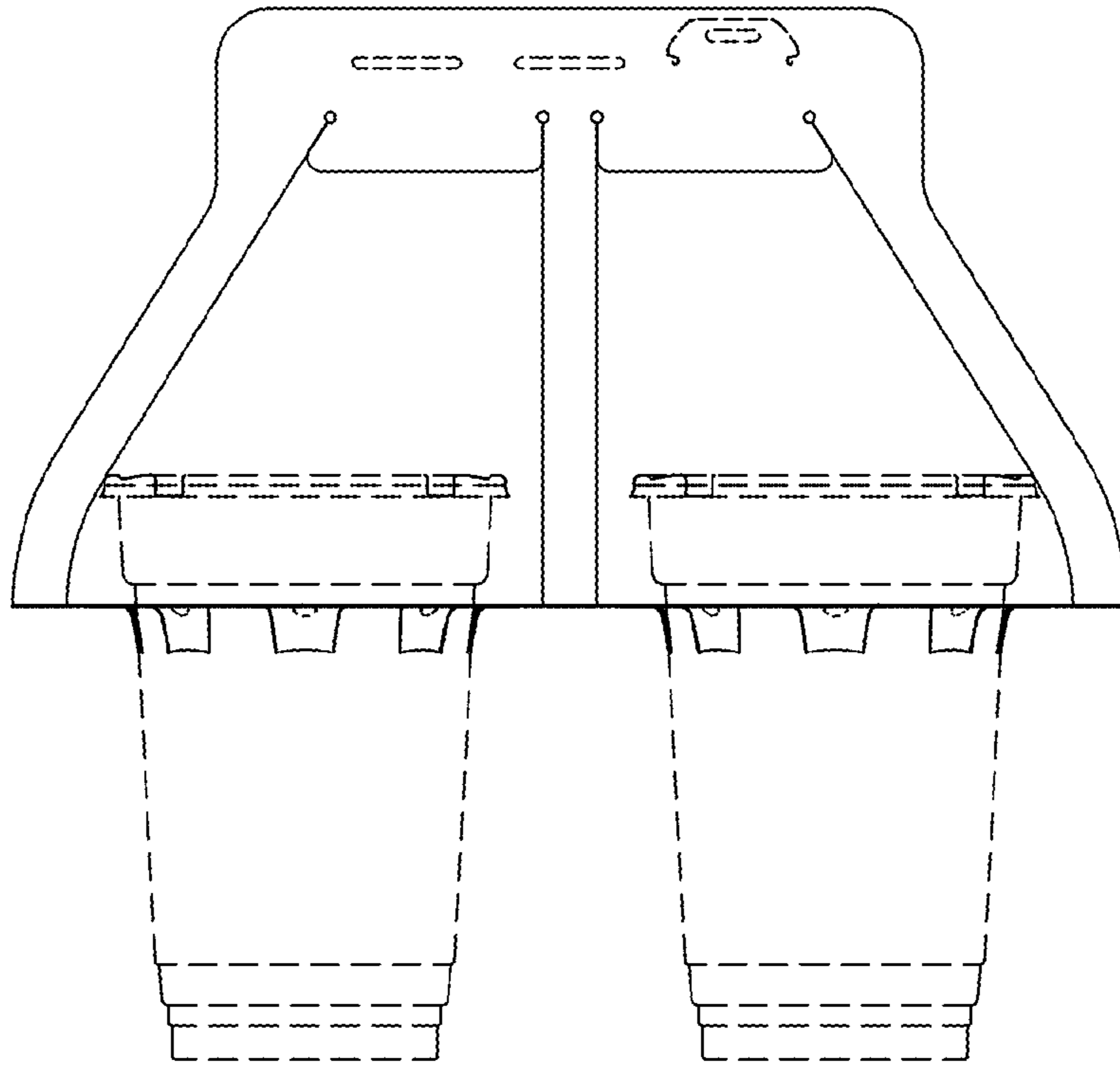


FIG. 4

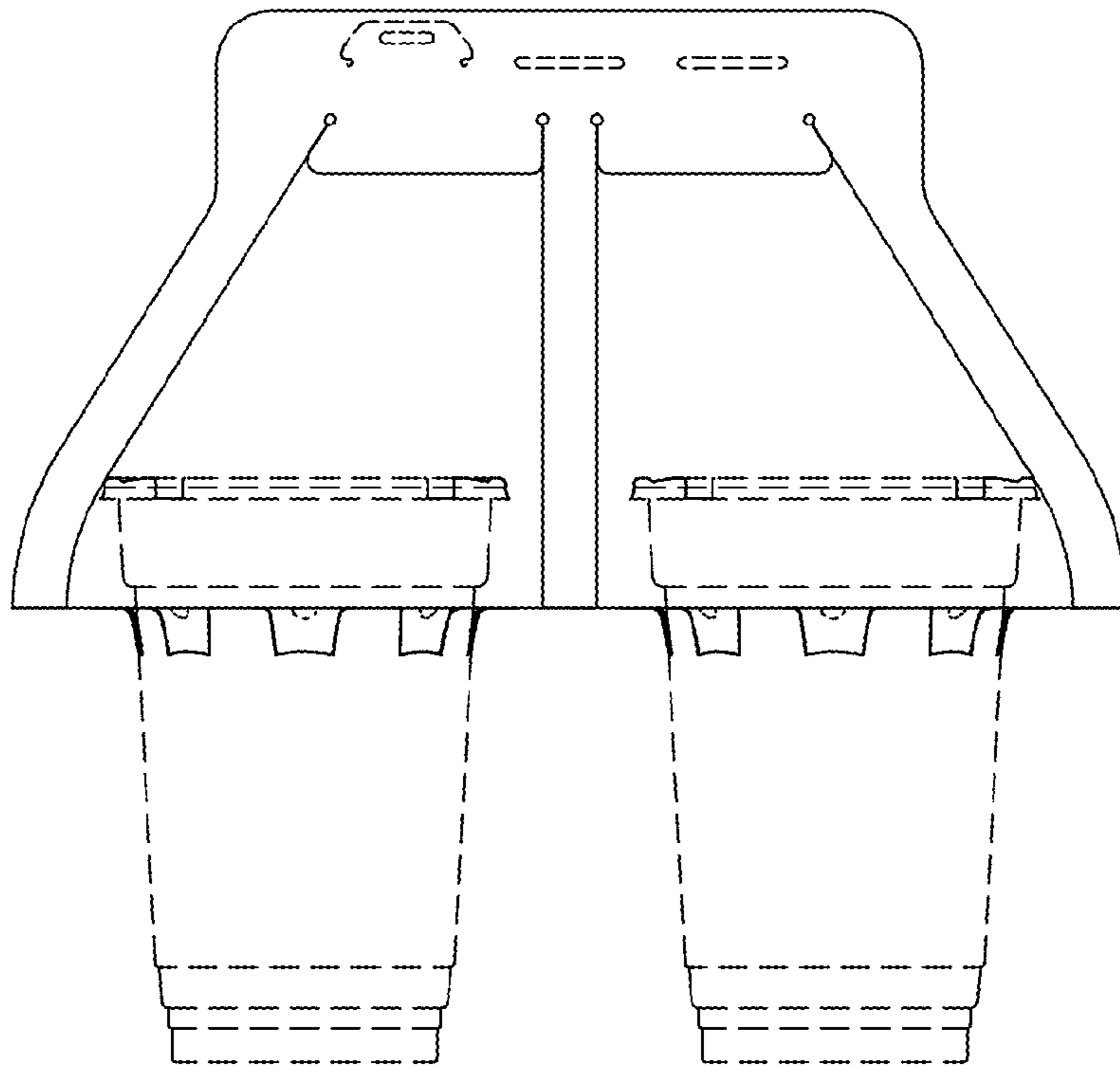


FIG. 5



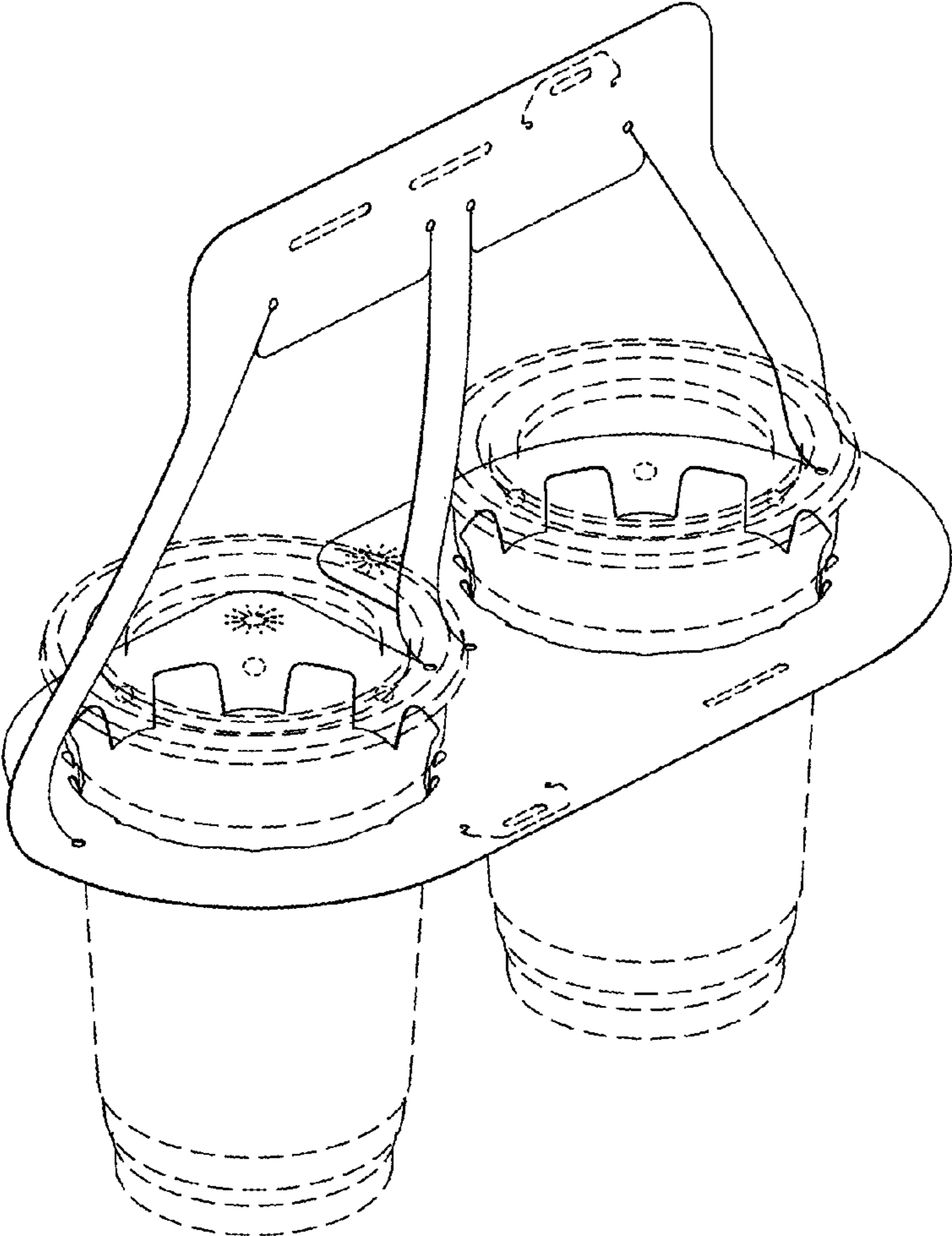


FIG. 6

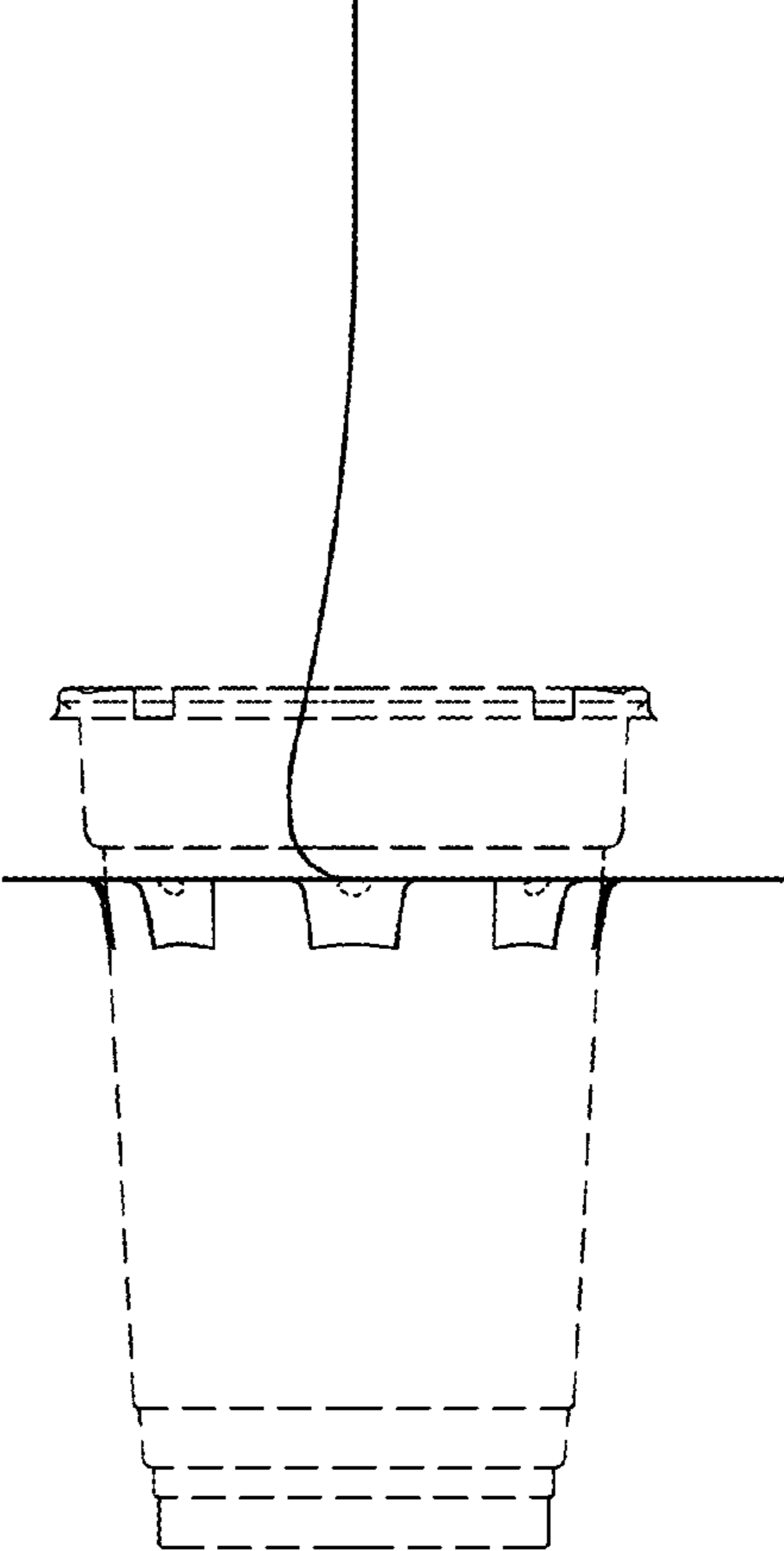


FIG. 7

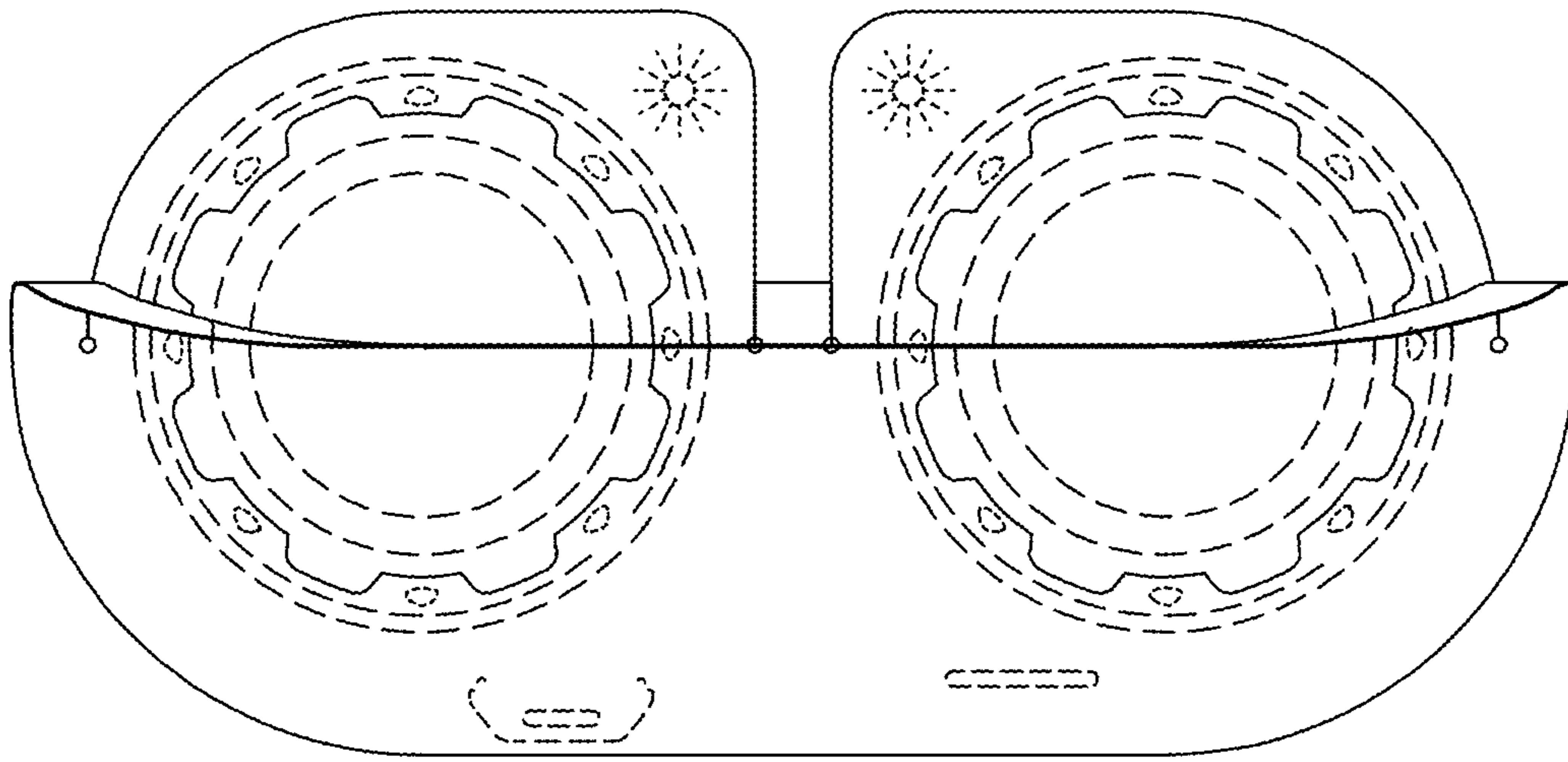


FIG. 8

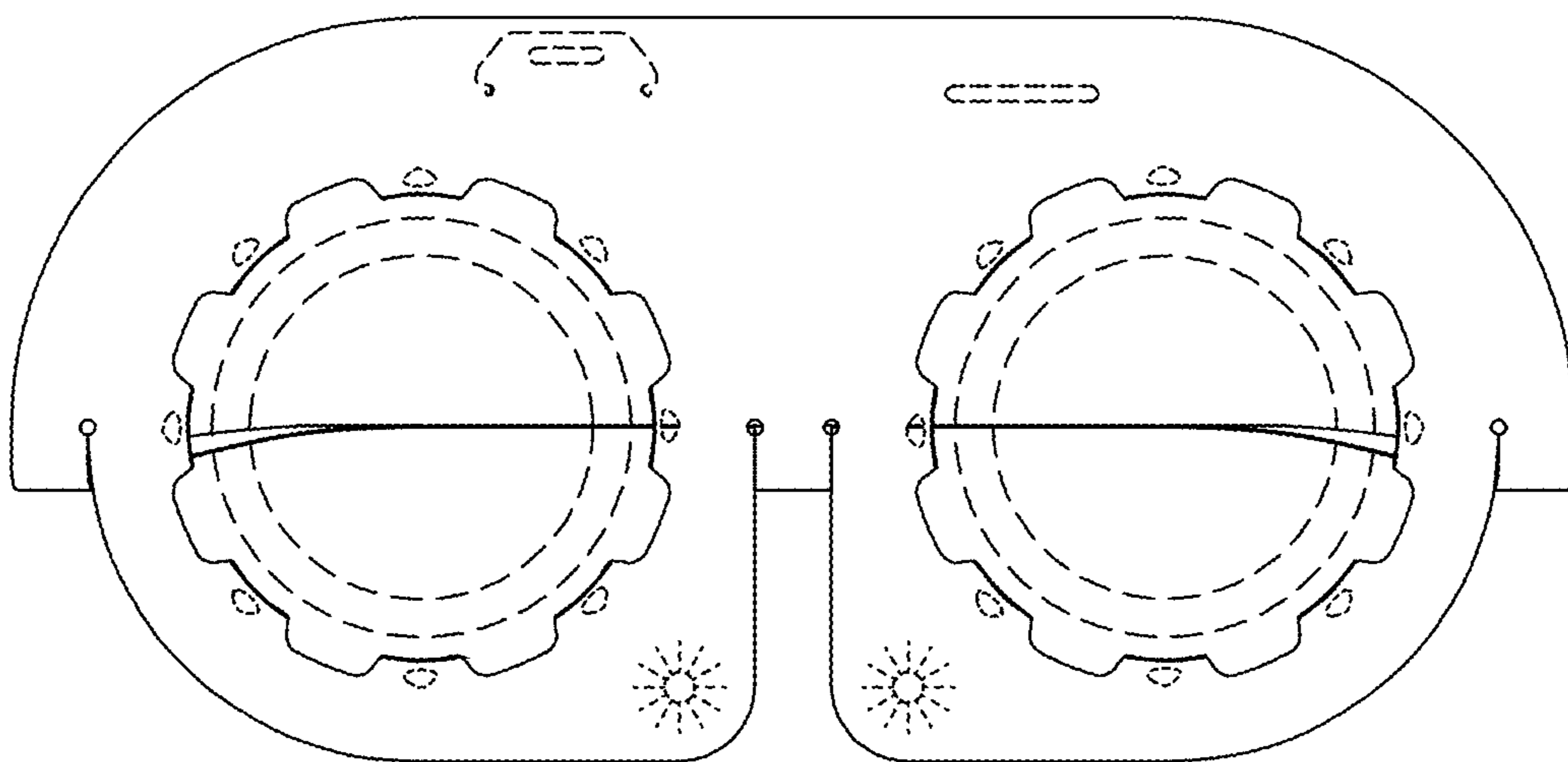


FIG. 9