

US00D944653S

(12) **United States Design Patent** (10) **Patent No.:** **US D944,653 S**  
**Ramsey** (45) **Date of Patent:** **\*\* Mar. 1, 2022**

(54) **RESEALABLE POUCH**

(71) Applicant: **Junobie, LLC**, West Lafayette, IN (US)

(72) Inventor: **Nikeytha Monique Ramsey**, West Lafayette, IN (US)

(\*\*) Term: **15 Years**

(21) Appl. No.: **29/770,365**

(22) Filed: **Feb. 11, 2021**

**Related U.S. Application Data**

(63) Continuation of application No. 16/996,862, filed on Aug. 18, 2020.

(51) **LOC (13) Cl.** ..... **09-05**

(52) **U.S. Cl.**  
USPC ..... **D9/709**

(58) **Field of Classification Search**

USPC ..... D9/702-714, 720-722, 435, 415-416, D9/430-433; 383/104, 120-121, 107, 383/114, 61.1, 61.2, 64, 103, 210.1, 66, 383/62; 229/200, 201, 125.15, 213, 80; 222/107; D3/303, 273, 232, 203.1; 426/106; 206/541, 223, 524.8; 220/495.03; 53/456, 459, 405; 283/81, 283/100-101; 428/34.3; 493/212-213, 493/186; 24/415, 585.12, DIG. 11, 24/30.5 R, 30.5 L, 585.1, 399, 387  
CPC .. B65D 33/00; B65D 33/16; B65D 33/24-25; B65D 33/2583; B65D 33/2591; A44B  
19/16

See application file for complete search history.

(56) **References Cited**

U.S. PATENT DOCUMENTS

D399,708 S	*	10/1998	Grissom	.....	D7/629
D644,881 S	*	9/2011	van Wijk	.....	D7/601
D848,858 S	*	5/2019	Tastan	.....	D9/705
D901,983 S	*	11/2020	Mouler	.....	D7/601
D902,052 S	*	11/2020	Case	.....	D9/709
D910,461 S	*	2/2021	Mishkin	.....	D9/707
D919,439 S	*	5/2021	Blomberg	.....	D9/705

\* cited by examiner

*Primary Examiner* — Abraham Bahta

(74) *Attorney, Agent, or Firm* — Gutwein Law; Tyler B. Droste

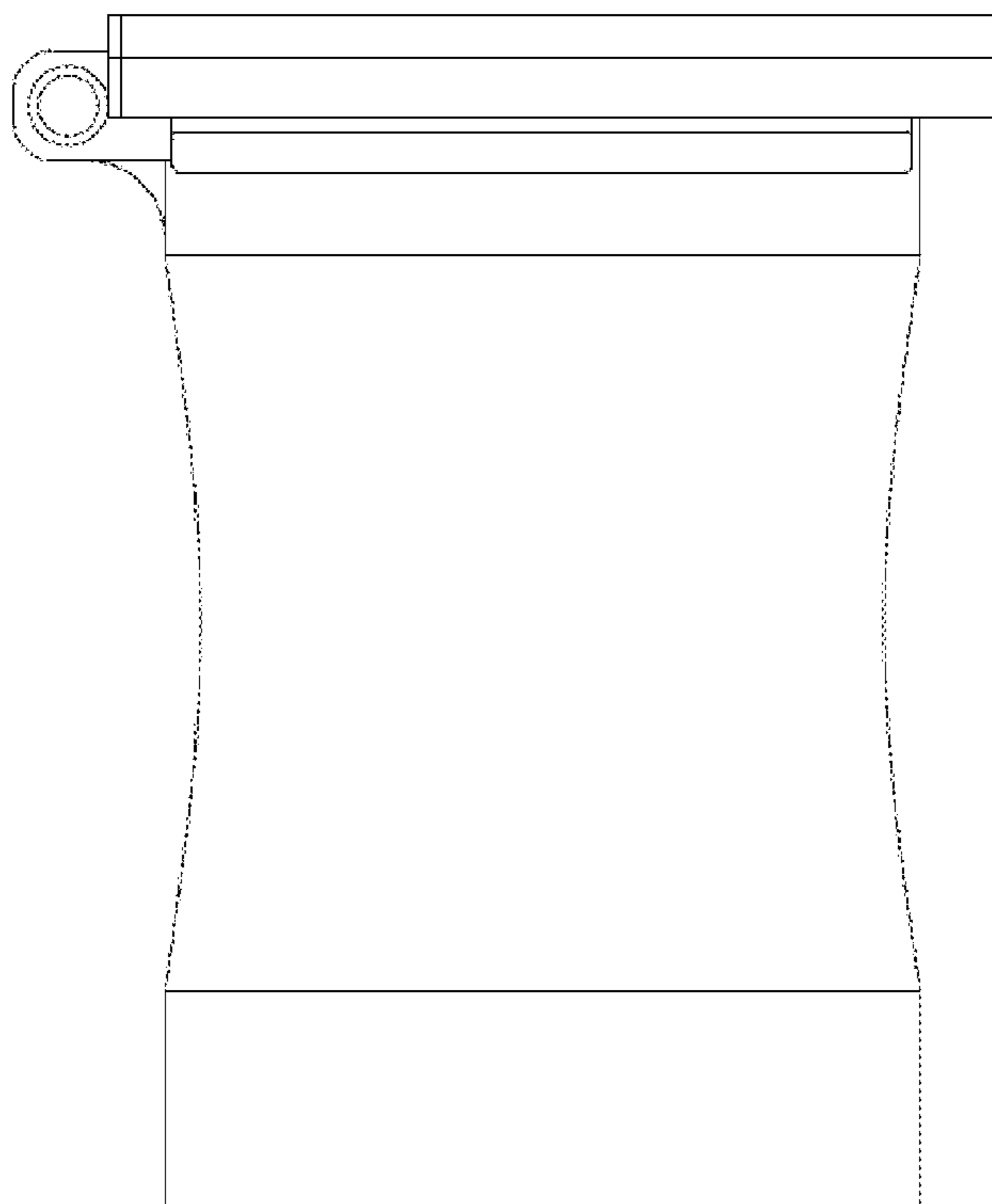
(57) **CLAIM**

The ornamental design for a resealable pouch, as shown and described.

**DESCRIPTION**

FIG. 1 is a front view of the resealable pouch with the sealing member coupled to the pouch;  
FIG. 2 is a back view of FIG. 1;  
FIG. 3 is a front view of the resealable pouch wherein the sealing member is uncoupled from the pouch;  
FIG. 4 is a back view of FIG. 3;  
FIG. 5 is a left side view thereof;  
FIG. 6 is a right side view thereof;  
FIG. 7 front perspective view thereof;  
FIG. 8 is a bottom side view thereof; and,  
FIG. 9 is a top side view thereof.

**1 Claim, 9 Drawing Sheets**



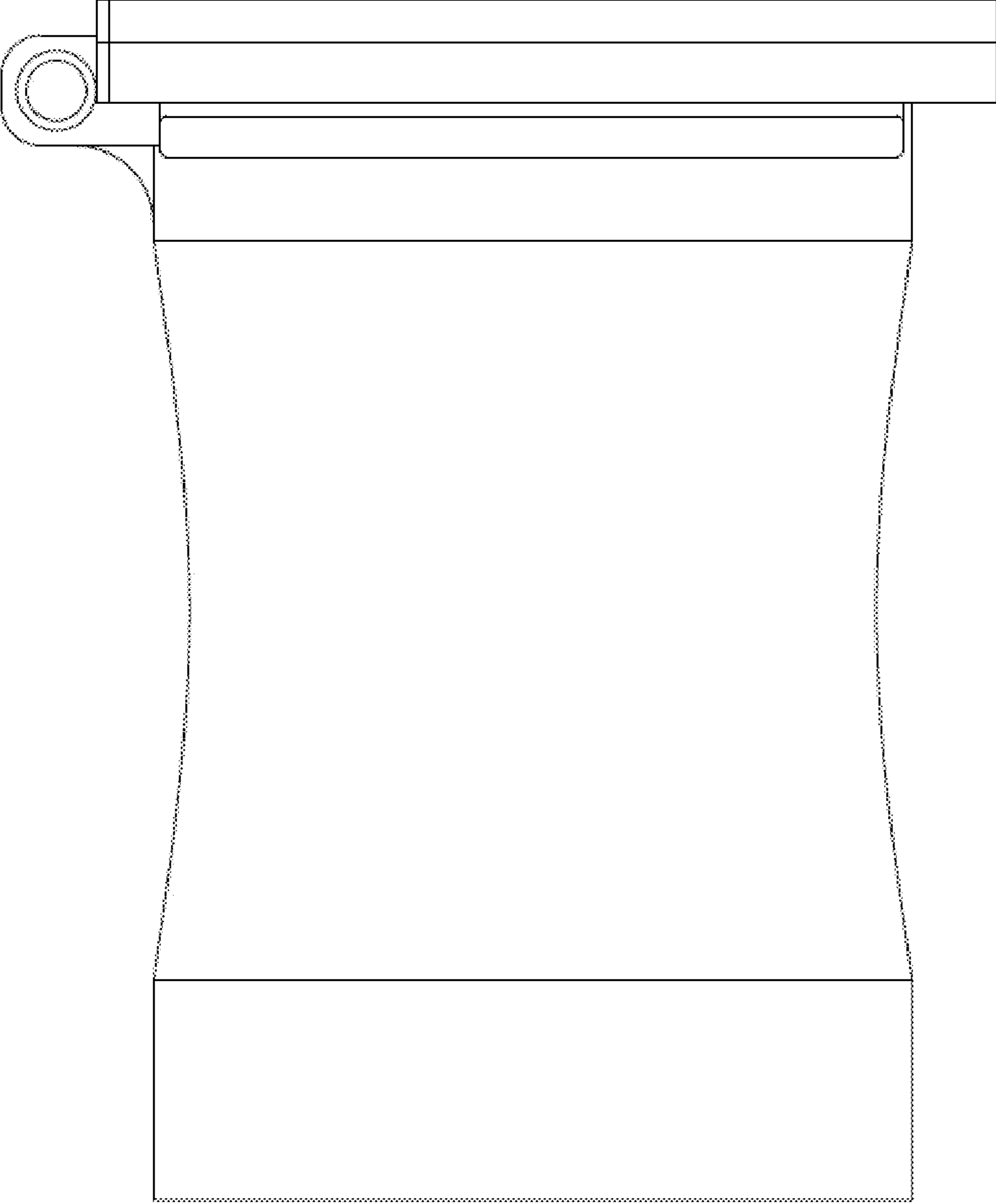


Fig. 1

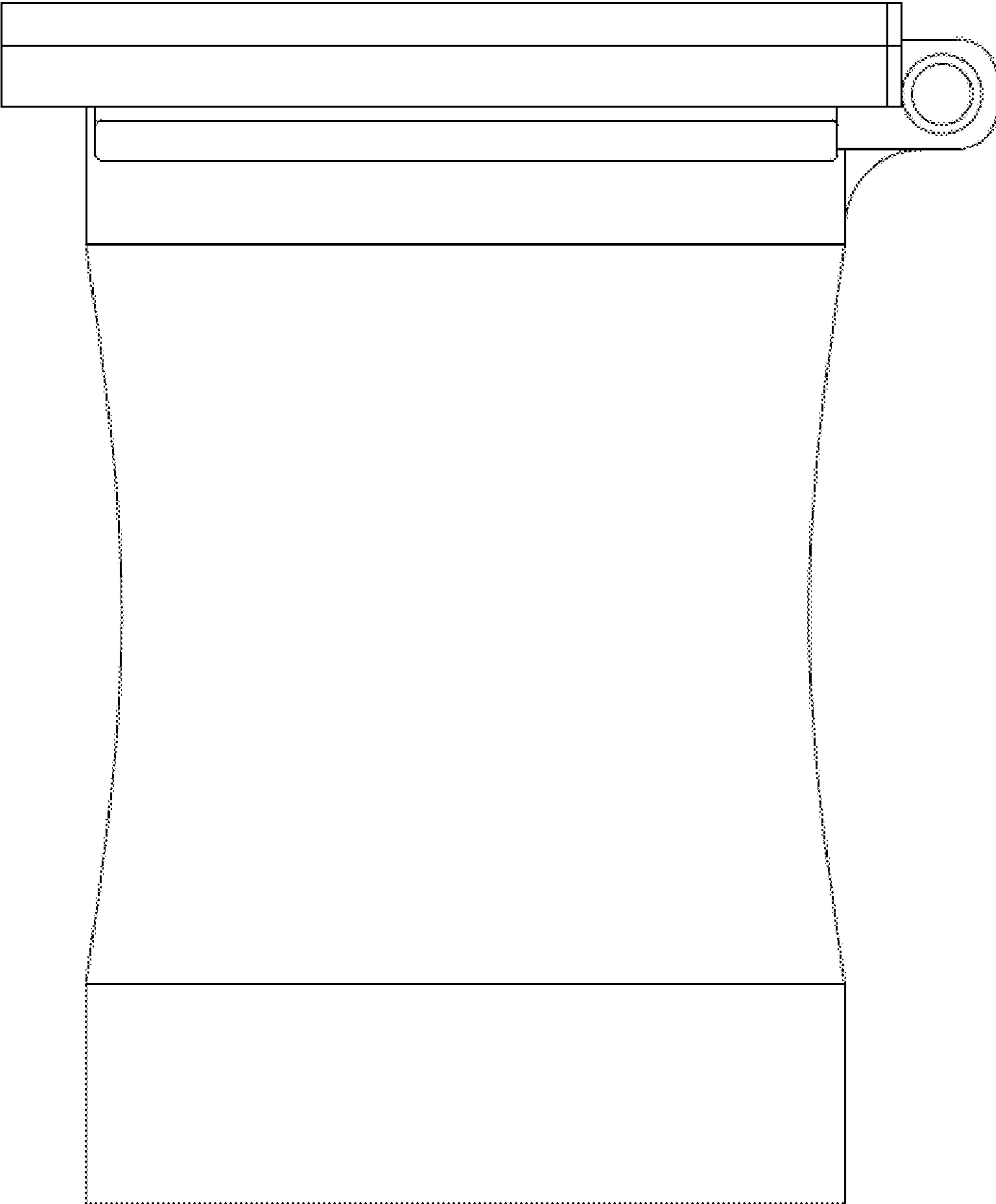


Fig. 2

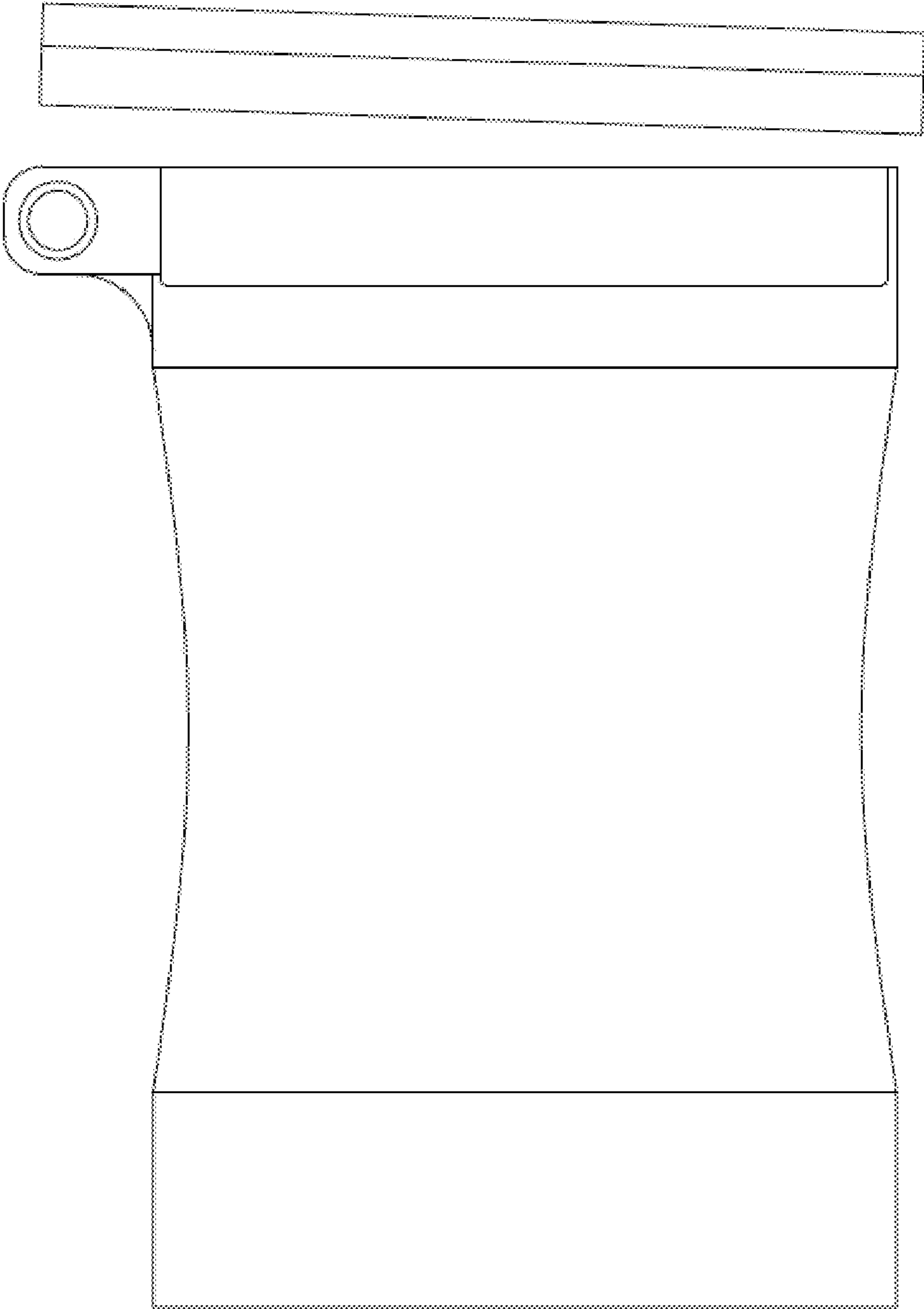


Fig. 3

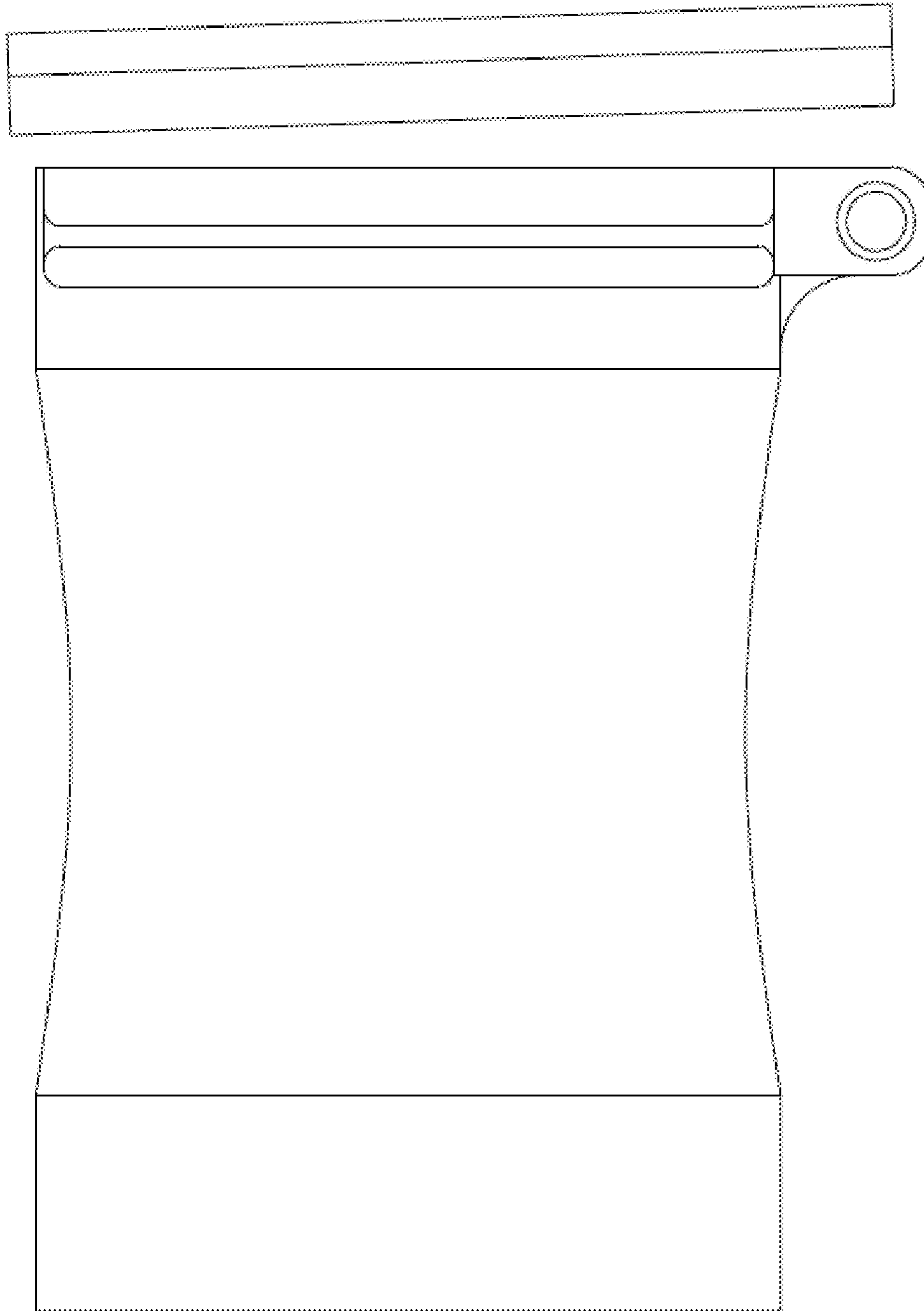


Fig. 4

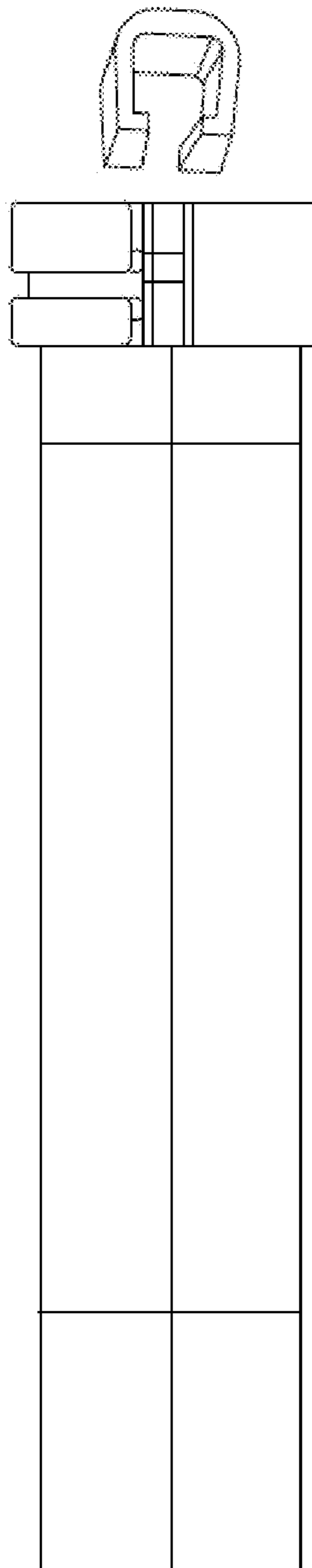


Fig. 5

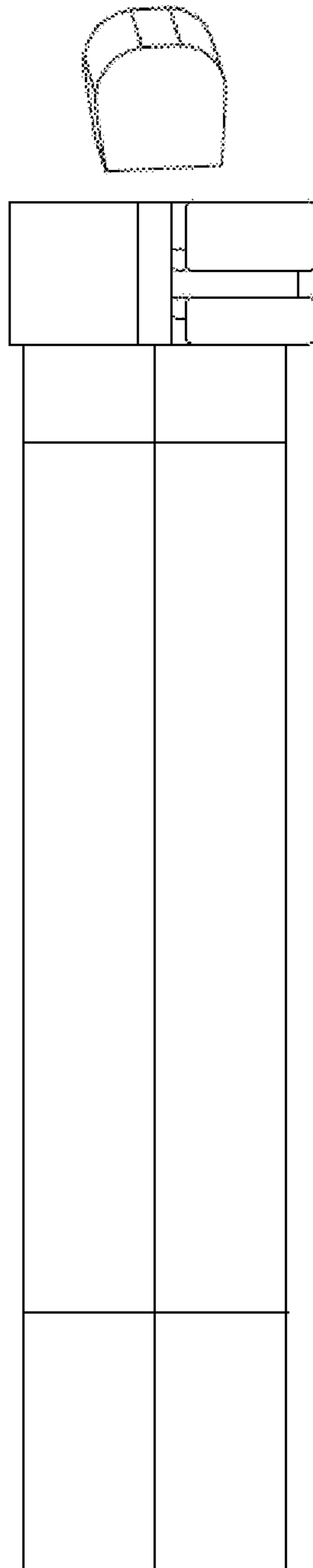


Fig. 6

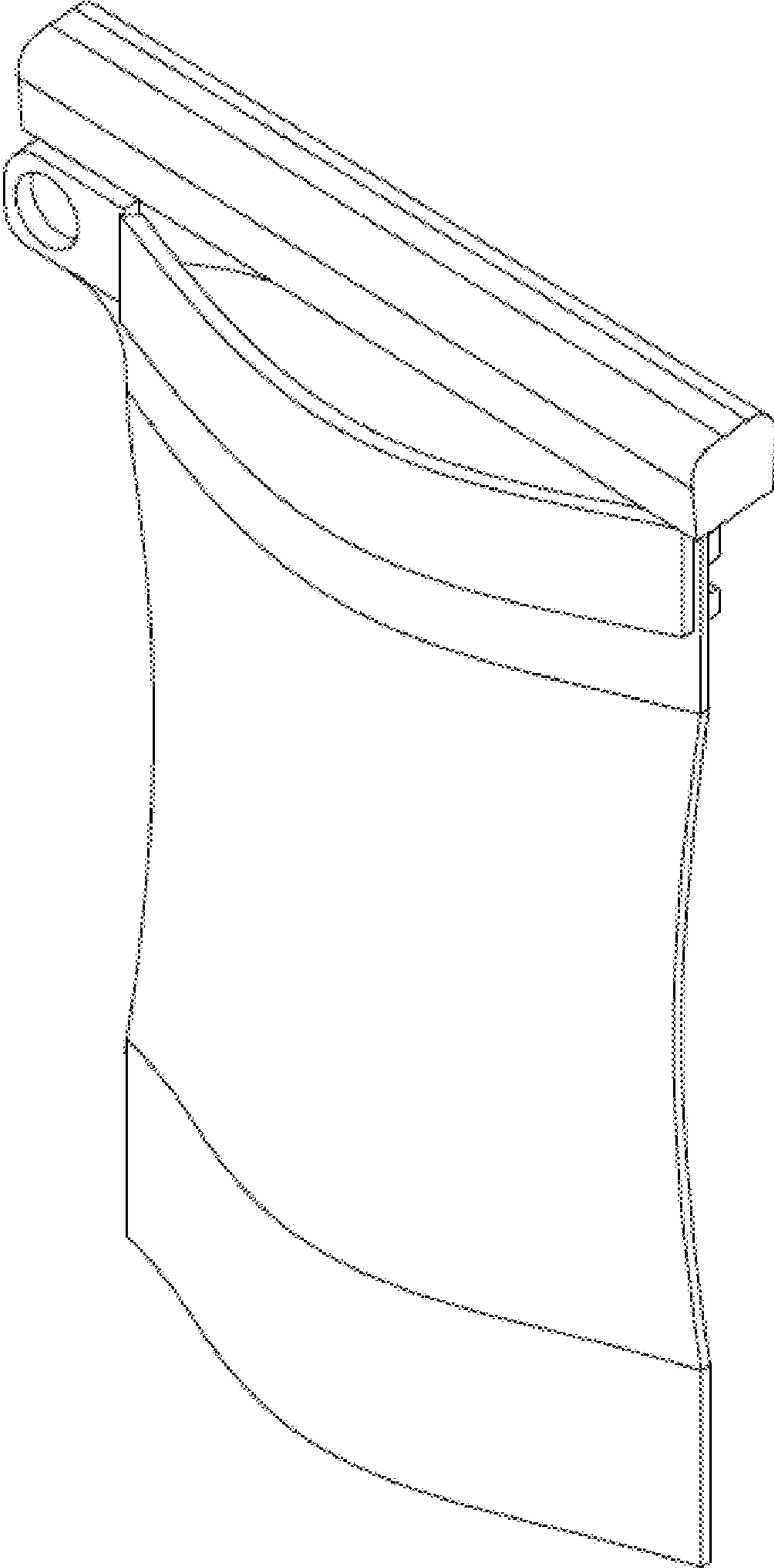


Fig. 7



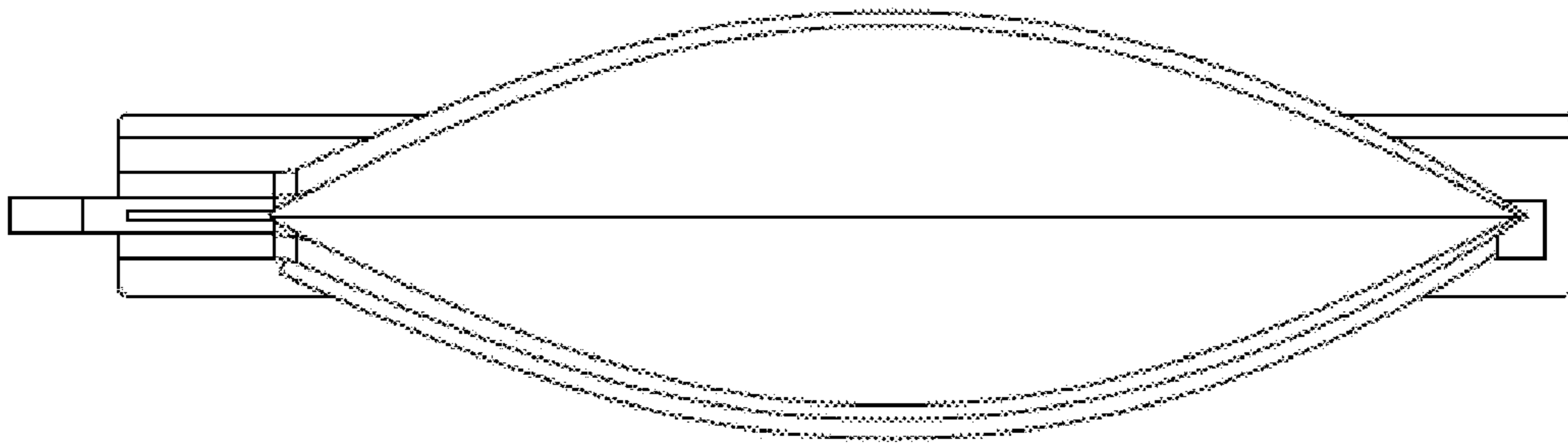


Fig. 8

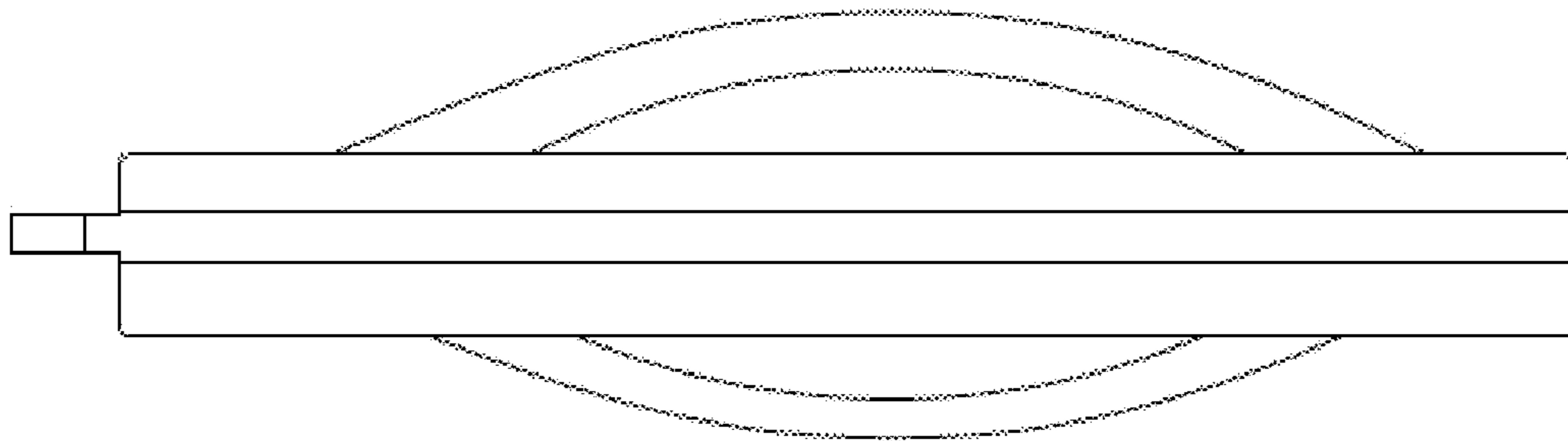


Fig. 9