

US00D944650S

(12) **United States Design Patent** (10) **Patent No.:** **US D944,650 S**  
**Eggers** (45) **Date of Patent:** **\*\* Mar. 1, 2022**

(54) **TUBULAR CONTAINER**  
(71) Applicant: **Ryan A. Eggers**, Atlanta, GA (US)  
(72) Inventor: **Ryan A. Eggers**, Atlanta, GA (US)  
(\*\*) Term: **15 Years**  
(21) Appl. No.: **29/734,359**  
(22) Filed: **May 12, 2020**  
(51) **LOC (13) Cl.** ..... **09-01**  
(52) **U.S. Cl.**  
USPC ..... **D9/504; D9/454**  
(58) **Field of Classification Search**  
USPC ..... D9/434-435, 438, 449, 454, 500,  
D9/503-504, 516, 529, 549, 558, 715,  
D9/719, 721; D3/203.2  
CPC ..... B65D 1/00; B65D 1/02; B65D 1/0223;  
B65D 23/00; B65D 2501/00; B65D  
2501/0009  
See application file for complete search history.

CN	203294428	U	11/2013
CN	204726926	U	10/2015
CN	208715856	U	4/2019
JP	3265939	U	4/1987
KR	20020037918	A	5/2002
KR	20030019507	A	3/2003
KR	20040004340	A	1/2004
KR	100424005	B	3/2004
KR	200410184	Y	3/2006
KR	1020070113525	A	11/2007
KR	2020080004829	U	10/2008
KR	100915792	B	9/2009
KR	2020100003873	U	4/2010
KR	1020150081809	A	7/2015
KR	1020150085892	A	7/2015
KR	200491265	Y	3/2020
TW	M320543		10/2007

\* cited by examiner

*Primary Examiner* — Dana Meyrow  
(74) *Attorney, Agent, or Firm* — Bekiares Eliezer LLP

(57) **CLAIM**

The ornamental design for a tubular container, as shown.

(56) **References Cited**

U.S. PATENT DOCUMENTS

D147,847	S	*	11/1947	Gittleson	.....	D9/504
D292,881	S	*	11/1987	Thompson	.....	D9/503
D296,665	S	*	7/1988	Hofer	.....	D11/146
D387,988	S	*	12/1997	Fitten	.....	D9/504
D415,685	S	*	10/1999	Braun	.....	D9/503
D736,633	S	*	8/2015	Bisbikis	.....	D9/503
D736,634	S	*	8/2015	Bisbikis	.....	D9/503
D742,699	S		11/2015	Boroski		
D756,222	S	*	5/2016	Lopez	.....	D9/454
D784,072	S	*	4/2017	Baron	.....	D7/392.1
D812,480	S	*	3/2018	Newson	.....	D9/503

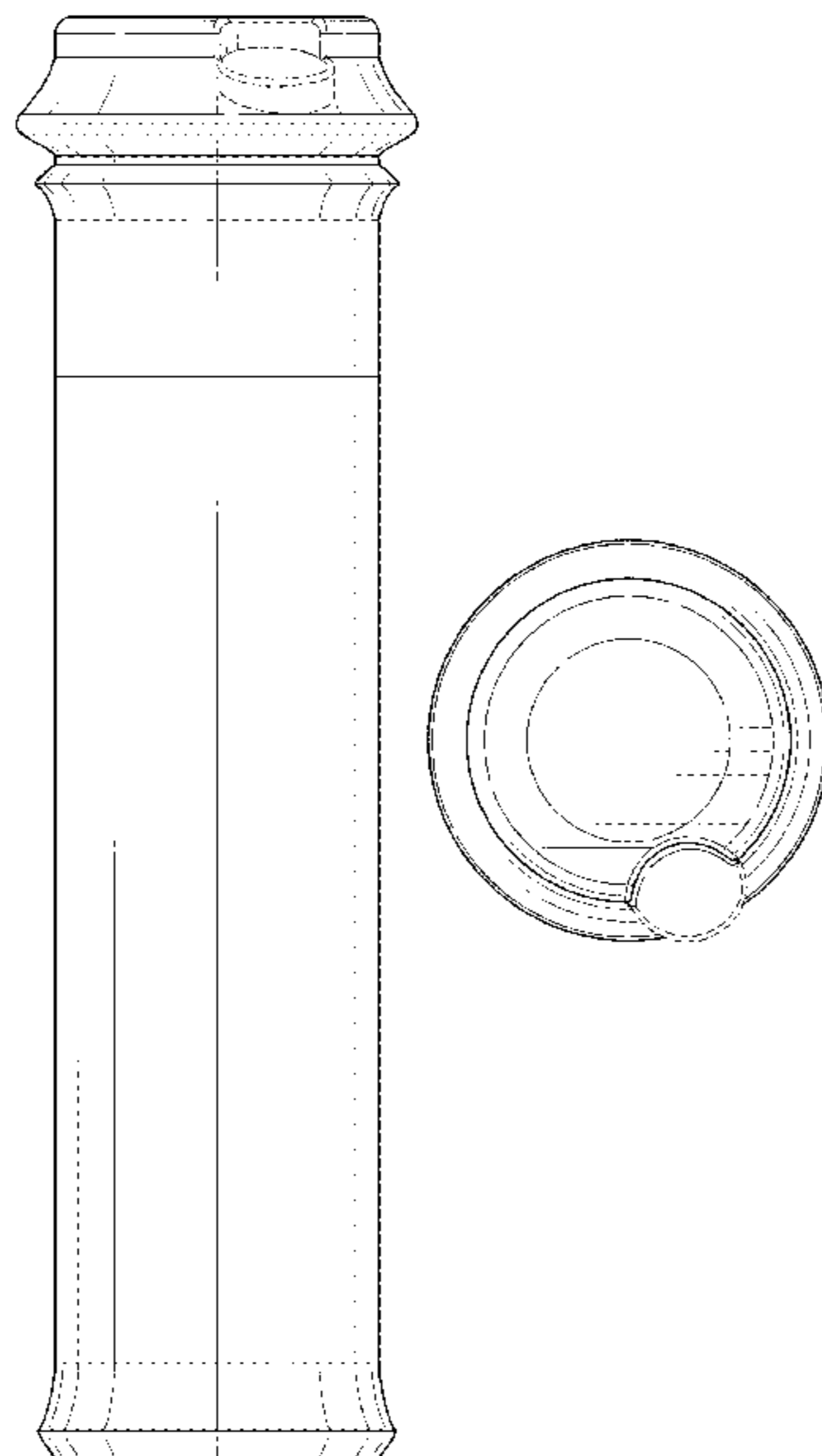
FOREIGN PATENT DOCUMENTS

AU	2019100768	A4	8/2019
CN	201376735	Y	1/2010

**DESCRIPTION**

FIG. 1 is a front view of a tubular container showing my new design;  
FIG. 2 is a top view thereof;  
FIG. 3 is a bottom view thereof;  
FIG. 4 is a side view thereof;  
FIG. 5 is a perspective view thereof;  
FIG. 6 is a front view thereof, shown in use; and,  
FIG. 7 is a perspective view thereof, shown in use.  
The broken lines illustrate portions of the tubular container that do not form a part of the claimed design.

**1 Claim, 7 Drawing Sheets**



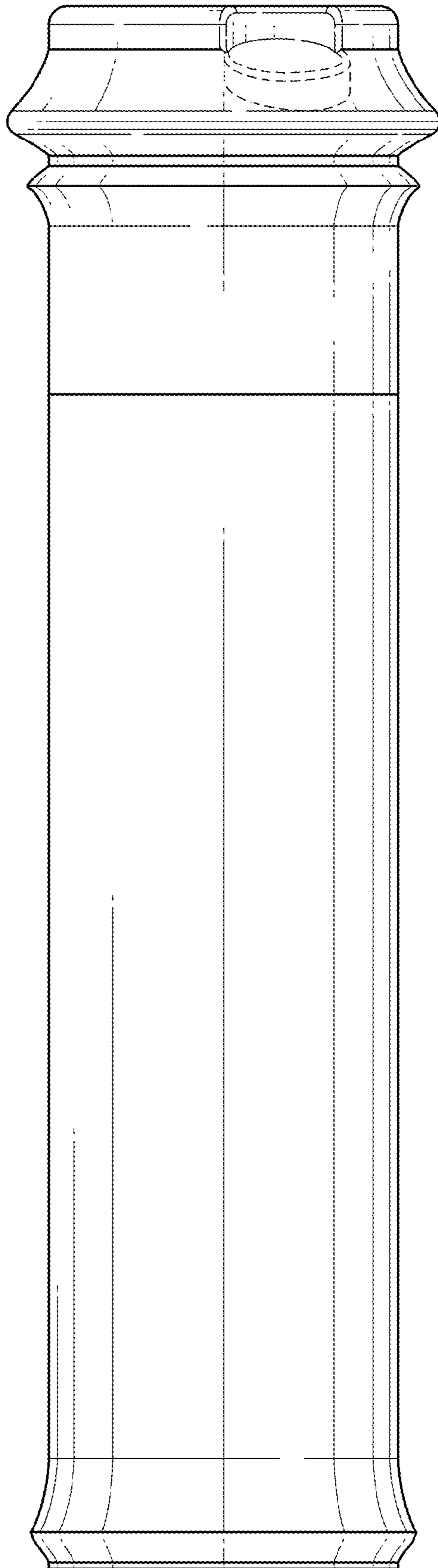


FIG. 1

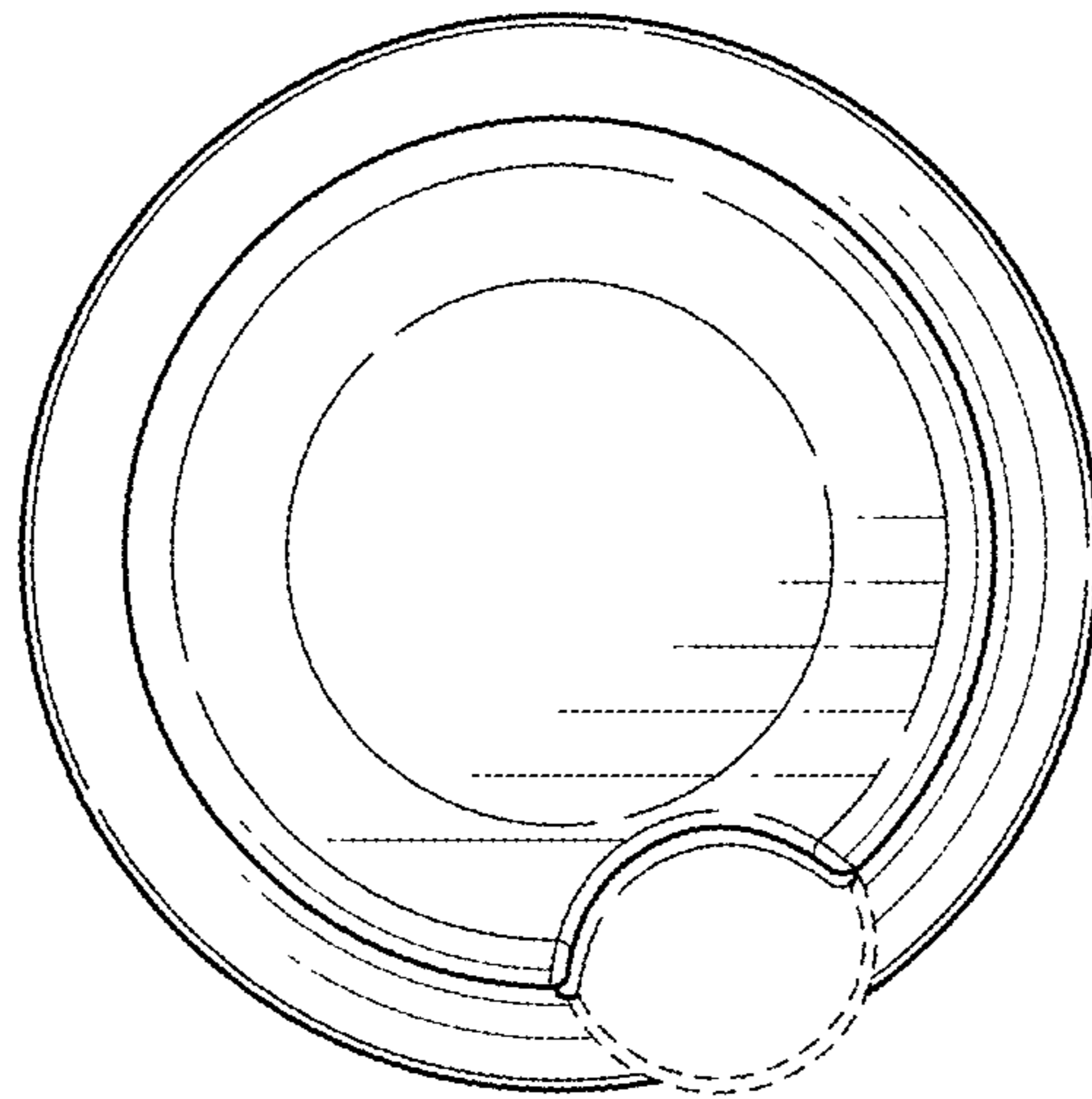


FIG. 2

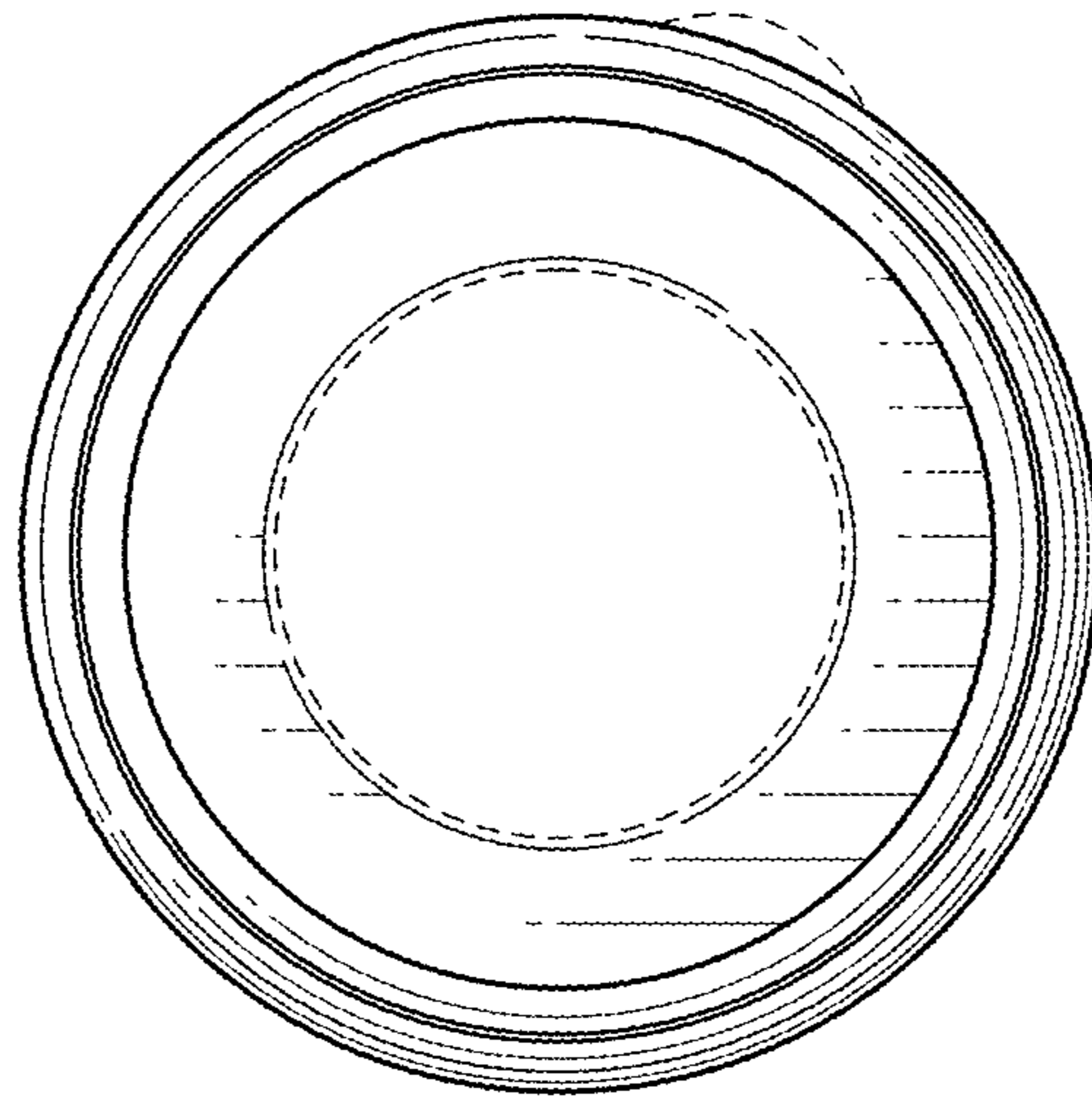


FIG. 3

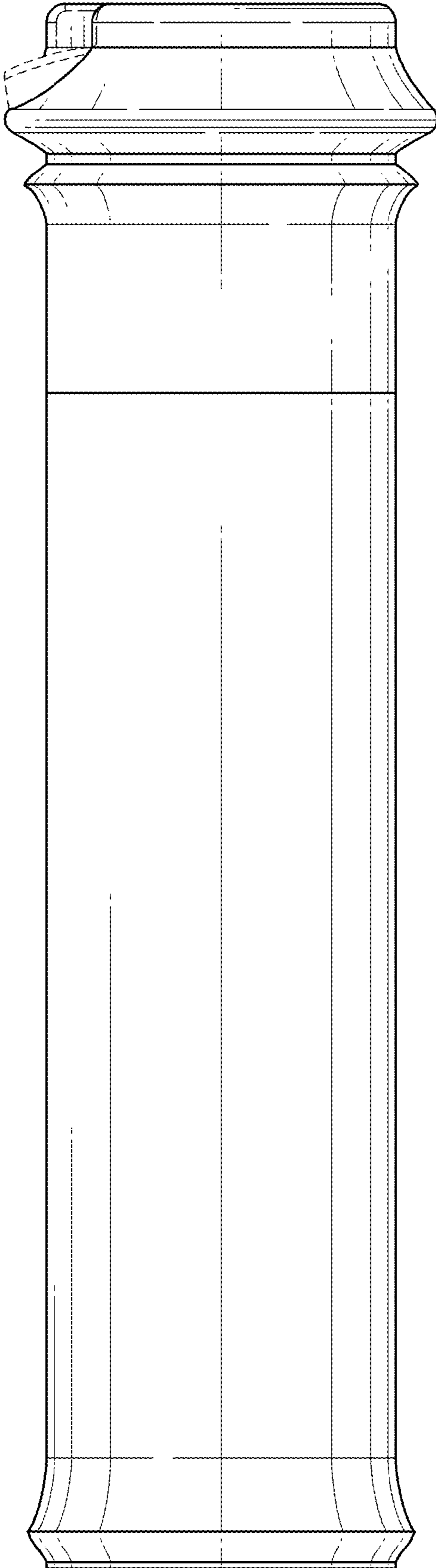


FIG. 4

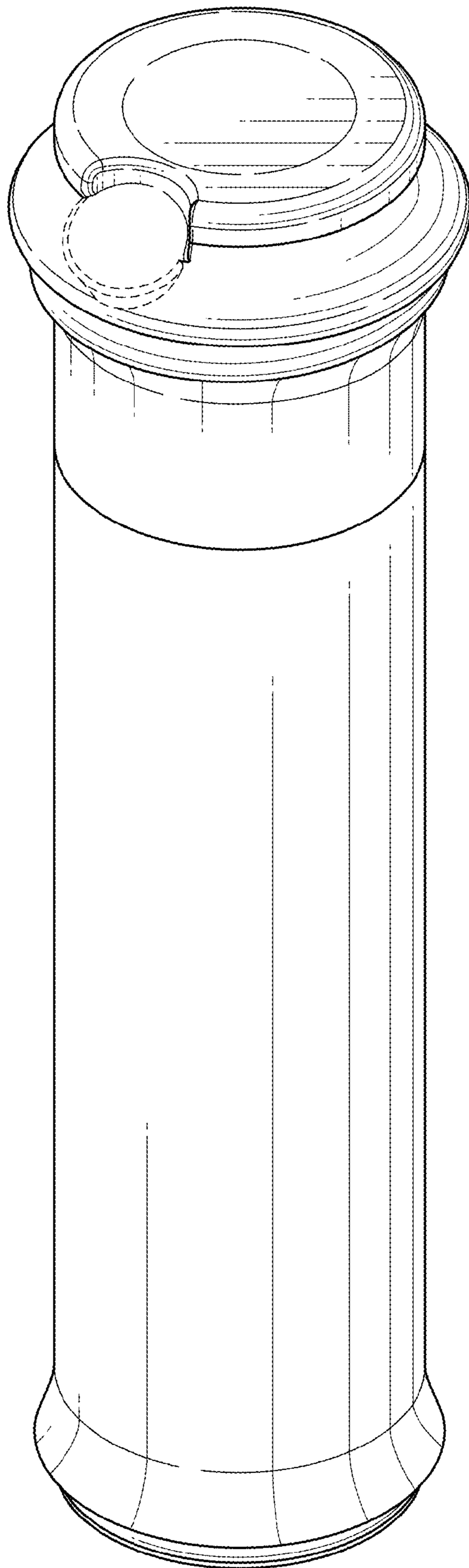


FIG. 5

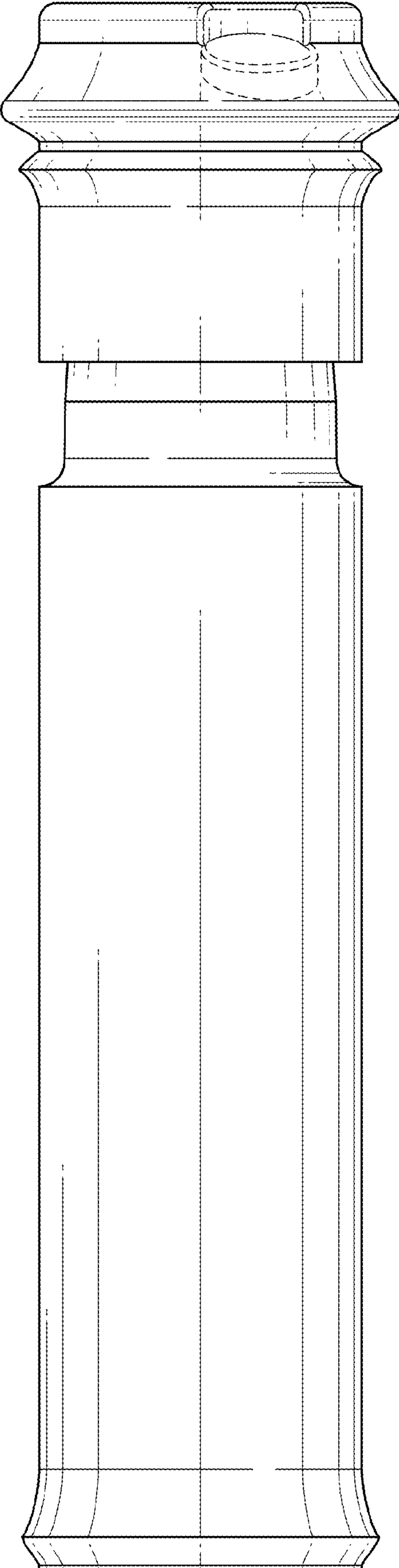


FIG. 6

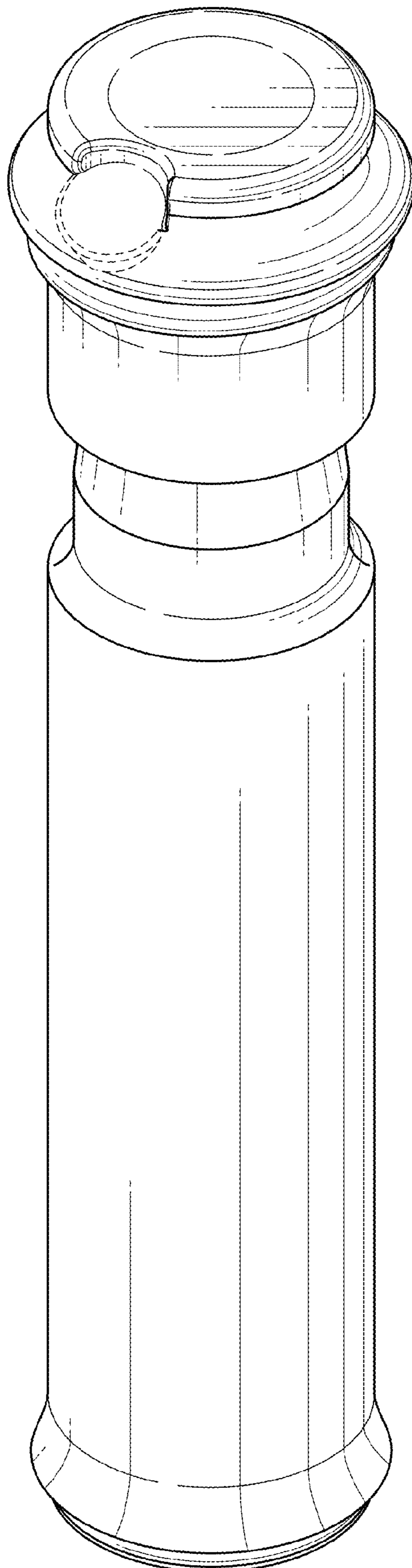


FIG. 7