



US00D944646S

(12) **United States Design Patent** (10) **Patent No.:** **US D944,646 S**  
**Luu** (45) **Date of Patent:** **\*\* Mar. 1, 2022**

(54) **BOTTLE**  
(71) Applicant: **LeChat**, Hercules, CA (US)  
(72) Inventor: **Newton Luu**, Hercules, CA (US)  
(73) Assignee: **LeChat**, Hercules, CA (US)  
(\*\*) Term: **15 Years**  
(21) Appl. No.: **29/725,330**  
(22) Filed: **Feb. 24, 2020**

**Related U.S. Application Data**

(60) Continuation of application No. 29/715,639, filed on Dec. 3, 2019, which is a division of application No. 29/693,110, filed on May 30, 2019, now Pat. No. Des. 868,582, which is a division of application No. 29/644,917, filed on Apr. 20, 2018, now Pat. No. Des. 850,264.

(51) **LOC (13) Cl.** ..... **09-01**  
(52) **U.S. Cl.**  
USPC ..... **D9/500**

(58) **Field of Classification Search**  
USPC ..... D9/434-435, 447, 452, 454, 500,  
D9/503-504, 516, 549, 558, 715, 719,  
D9/436, 502, 723; D4/116, 114  
CPC ..... B65D 1/00; B65D 1/02; B65D 1/0223;  
B65D 23/00; B65D 51/32; B65D  
2501/00; B65D 2501/0009; A45D 34/042;  
A45D 34/045; A45D 34/053; A46B  
11/00; A46B 11/001  
See application file for complete search history.

(56) **References Cited**  
U.S. PATENT DOCUMENTS

D90,558 S 8/1933 Tricard  
D93,074 S 8/1934 Westlake

D104,835 S \* 6/1937 Dunnock ..... D9/500  
D105,396 S 7/1937 McIntosh  
D111,313 S 9/1938 Titze  
D116,813 S 9/1939 Bost  
D117,843 S 11/1939 Smith  
D126,234 S 5/1940 Barbiers  
D166,116 S 3/1952 Menefee, Jr.  
2,832,981 A 5/1958 Ernst  
D201,999 S 8/1965 Rau  
3,337,901 A 8/1967 Schefer et al.  
D208,885 S 10/1967 Roehrich  
D216,250 S 12/1969 Kneapler  
D237,360 S 10/1975 Olivera  
D252,445 S 7/1979 Rhodes  
D253,454 S 11/1979 Earle  
4,189,245 A 2/1980 Bennett  
D259,252 S 5/1981 Acker  
4,280,638 A 7/1981 Keihm  
D270,331 S 8/1983 Benson  
D271,565 S 11/1983 Slater  
D309,711 S \* 8/1990 Biesecker ..... D9/500  
D316,034 S 4/1991 DeGaetano  
D329,592 S 9/1992 Crawford  
D330,859 S 11/1992 Schaeffer  
D344,804 S 3/1994 Muniz  
D346,334 S 4/1994 Ahlsvik

(Continued)

*Primary Examiner* — Dana Meyrow

(74) *Attorney, Agent, or Firm* — Aka Chan LLP

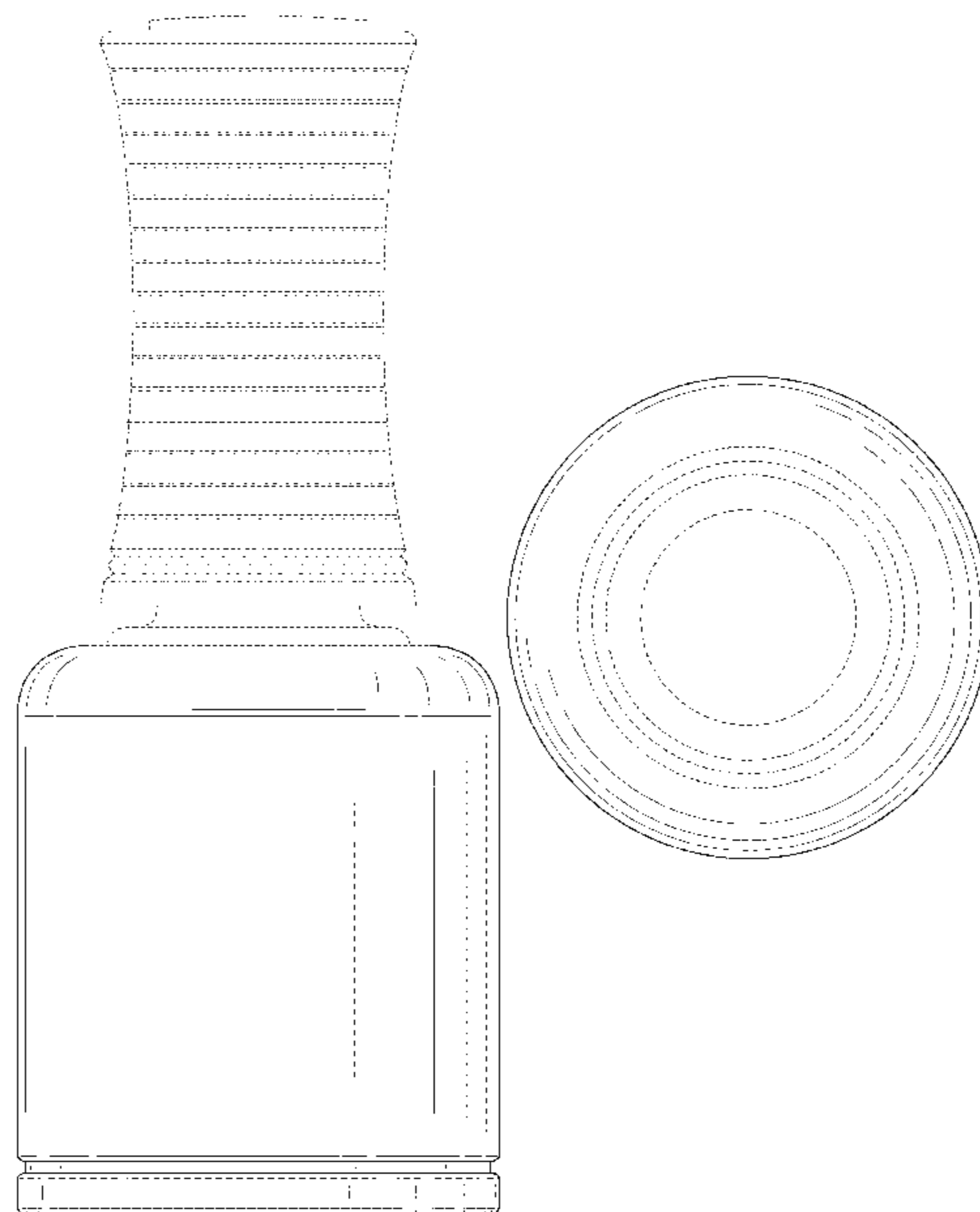
(57) **CLAIM**

The ornamental design for a bottle, as shown and described.

**DESCRIPTION**

FIG. 1 is a perspective view of a design for a bottle;  
FIG. 2 is a side elevation view thereof;  
FIG. 3 is a top plan view thereof; and,  
FIG. 4 is a bottom plan view thereof.  
The broken lines in the drawings illustrate the portions of the  
bottle that form no part of the claimed design.

**1 Claim, 3 Drawing Sheets**



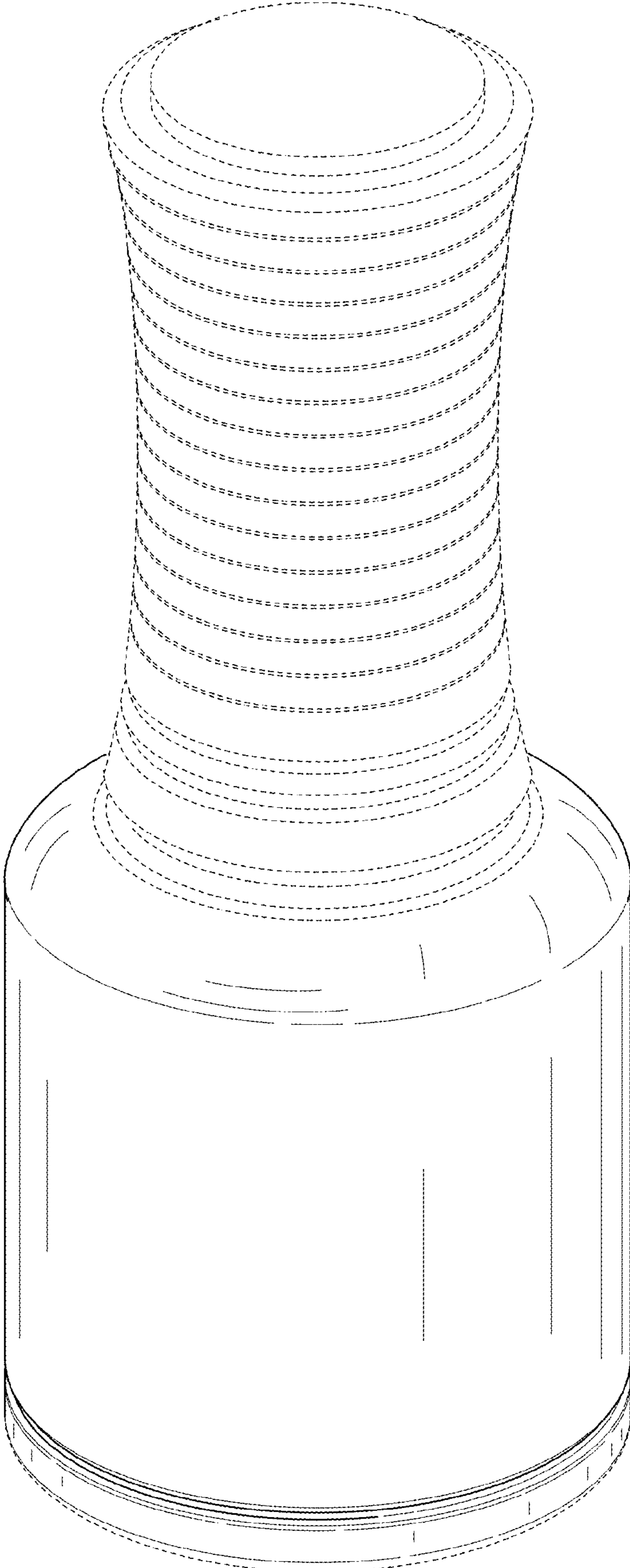
(56)

References Cited

U.S. PATENT DOCUMENTS

D379,764 S	6/1997	Litton				
D383,980 S	9/1997	Abfier et al.				
D415,319 S	* 10/1999	Bakic .....	D28/76			
D449,228 S	10/2001	Nosella				
D469,356 S	1/2003	Vo				
D471,108 S	3/2003	Calderon, Jr.				
D494,476 S	8/2004	Cwynar-Laska				
6,966,716 B2	11/2005	Pink				
7,311,457 B2	12/2007	Pink				
D561,027 S	2/2008	Nguyen				
D577,599 S	9/2008	Moretti				
D604,167 S	11/2009	Tran				
D633,798 S	* 3/2011	Cresswell .....	D9/500			
D633,799 S	* 3/2011	Cresswell .....	D9/500			
D637,915 S	5/2011	Huang				
D695,121 S	12/2013	Seo				
D701,124 S	3/2014	O'Hara				
D721,966 S	2/2015	Mathiez				
D756,234 S	5/2016	Orset				
D757,551 S	5/2016	Pires et al.				
D757,553 S	5/2016	Pires et al.				
D758,737 S	6/2016	Tan et al.				
D758,865 S	6/2016	Pires et al.				
D767,405 S	9/2016	Orset				
D769,124 S	10/2016	Wieland				
D770,284 S	11/2016	Luu et al.				
D770,285 S	11/2016	Luu et al.				
D770,295 S	11/2016	Luu et al.				
D770,901 S	11/2016	Luu et al.				
D772,579 S	11/2016	Baranes				
D790,624 S	* 6/2017	Matsushita .....	D18/56			
D802,420 S	11/2017	Luu				
D802,426 S	11/2017	Luu et al.				
D803,055 S	11/2017	Luu et al.				
D805,910 S	12/2017	Luu et al.				
D813,551 S	3/2018	Tan et al.				
D816,506 S	5/2018	Jones et al.				
D817,763 S	5/2018	Isaksen				
D820,683 S	6/2018	Perrulli				
D821,200 S	6/2018	Harris				
D833,874 S	11/2018	Harrison				
D836,444 S	12/2018	Tan et al.				
D845,773 S	* 4/2019	Huang .....	D9/503			
D847,654 S	5/2019	Luu				
D848,262 S	* 5/2019	Luu .....	D9/454			
D850,264 S	6/2019	Luu				
D852,048 S	* 6/2019	Flint .....	D9/558			
D867,883 S	* 11/2019	Luu .....	D9/452			
D867,885 S	* 11/2019	Luu .....	D9/454			
D868,582 S	* 12/2019	Luu .....	D9/503			
2002/0039513	A1	4/2002	Pink			
2006/0213863	A1	9/2006	Tran et al.			

\* cited by examiner



**FIG. 1**

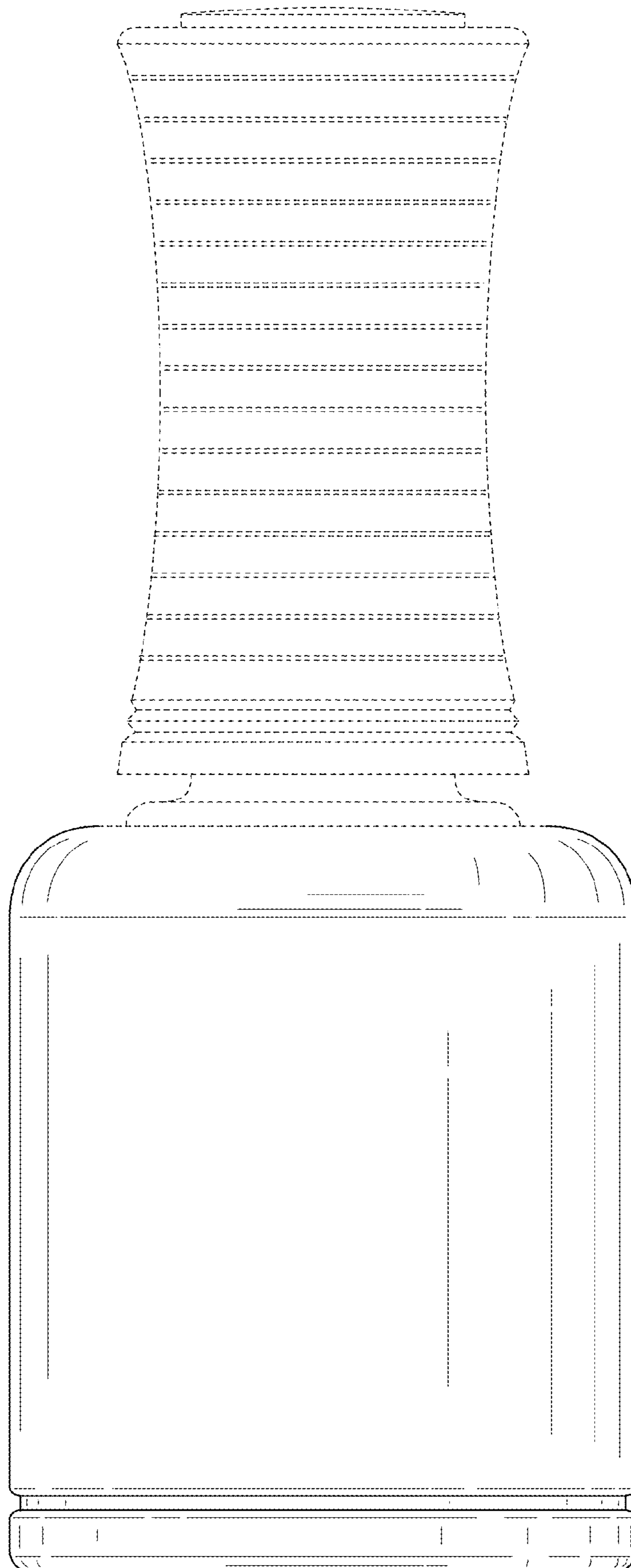
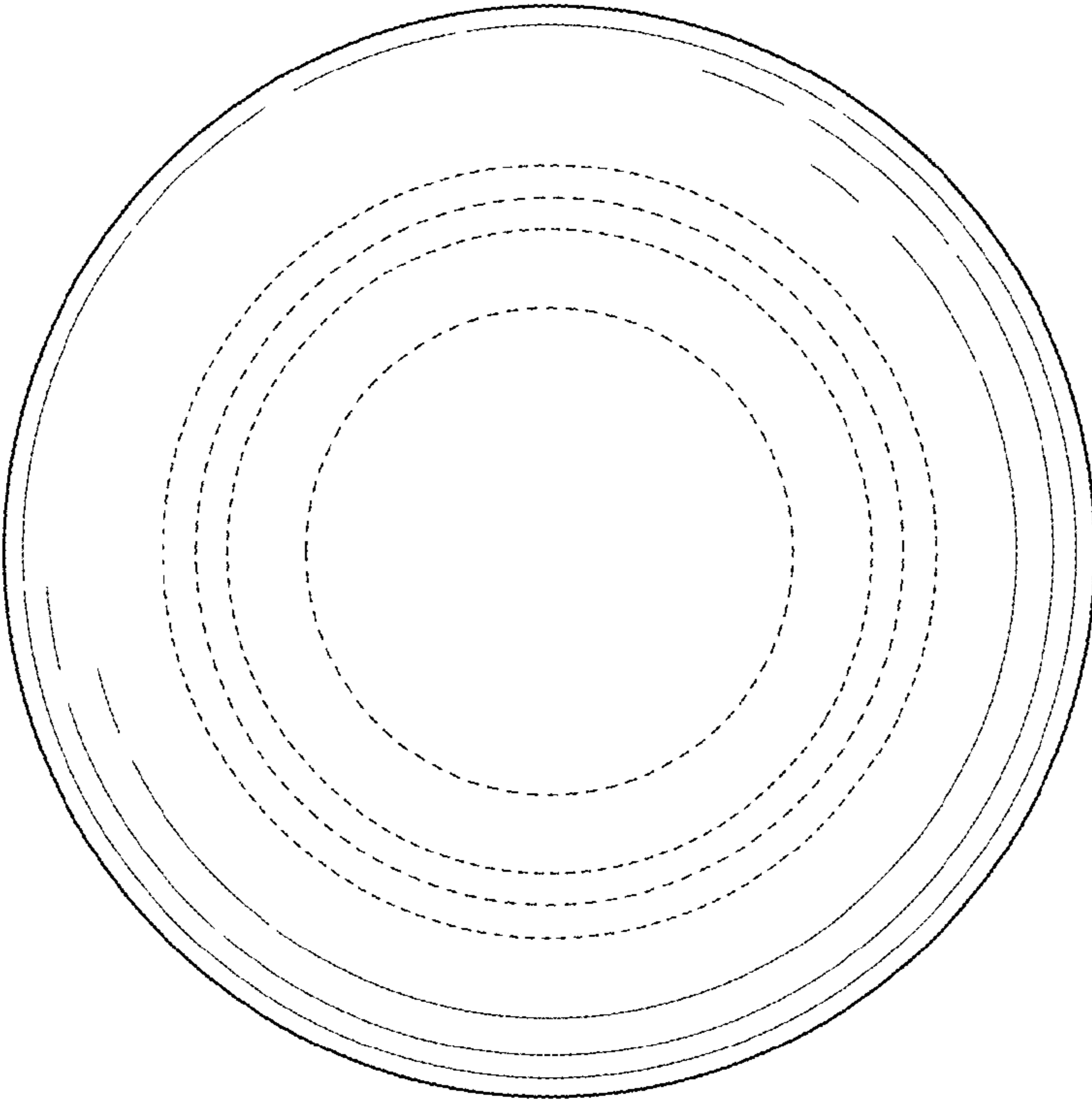
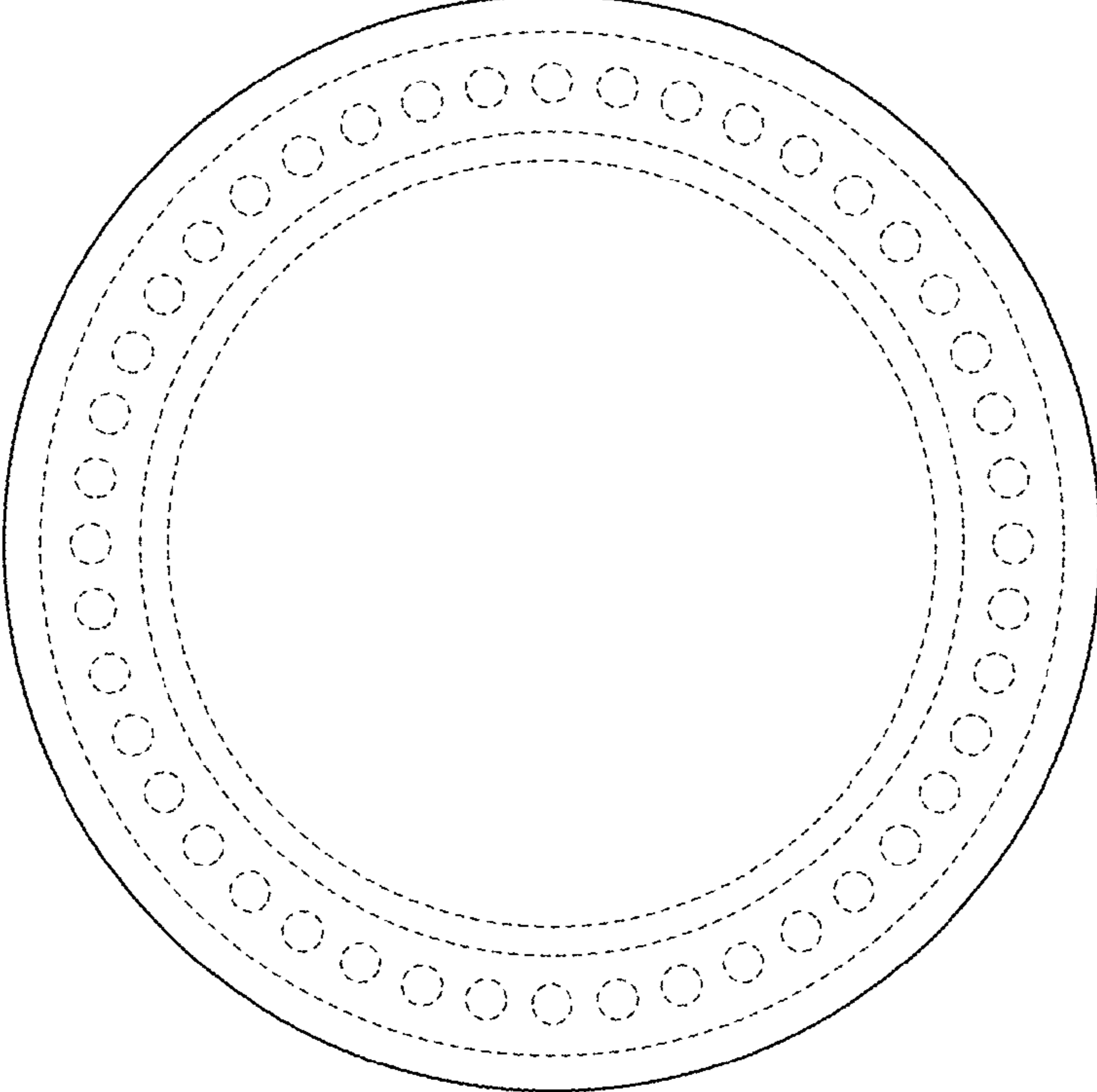


FIG. 2



**FIG. 3**



**FIG. 4**