



US00D944644S

(12) **United States Design Patent**
Nervo et al.

(10) **Patent No.:** **US D944,644 S**
(45) **Date of Patent:** **** Mar. 1, 2022**

(54) **DISPENSER**

(71) Applicant: **Dispensing Technologies B.V.**,
Eindhoven (NL)

(72) Inventors: **Paolo Nervo**, Eindhoven (NL); **Dennis Van Melick**, Eindhoven (NL)

(73) Assignee: **Dispensing Technologies B.V.**,
Eindhoven (NL)

(**) Term: **15 Years**

(21) Appl. No.: **29/699,313**

(22) Filed: **Jul. 24, 2019**

(51) **LOC (13) Cl.** **09-07**

(52) **U.S. Cl.**
USPC **D9/448**

(58) **Field of Classification Search**
USPC D9/682-694, 516-575, 434-436, 448,
D9/445; D6/542
CPC B65D 1/0223; B65D 1/40; B65D 23/102;
B65D 2501/0081; B65D 2501/009; B65D
83/14-759; B05B 11/00-3098; A47K
5/12-1211; A47K 5/1214; A45D 34/00;
A45D 34/02; A45D 2200/05-057; A45D
2034/005; A45D 2034/007

See application file for complete search history.

(56) **References Cited**

U.S. PATENT DOCUMENTS

D206,832 S * 1/1967 Kotuby D9/448
D628,898 S * 12/2010 Barnett D9/682
D696,962 S * 1/2014 Chen D9/688
D698,660 S * 2/2014 Maas D9/689
D698,661 S * 2/2014 Maas D9/689
8,905,271 B2 12/2014 Maas et al.
D777,296 S * 1/2017 Huang D23/225
D790,342 S * 6/2017 Farrell D9/448
9,714,133 B2 7/2017 Maas et al.

D830,194 S * 10/2018 Maas D9/685
D832,705 S * 11/2018 Bos D9/448
10,328,447 B1 * 6/2019 Vandenberg B05B 15/16
D918,730 S * 5/2021 Van Den Bergh D9/685
D921,486 S * 6/2021 Van Den Bergh D9/448
2008/0290120 A1 * 11/2008 Helf B65D 83/207
222/649
2012/0048959 A1 * 3/2012 Maas B05B 9/0883
239/1
2013/0112766 A1 * 5/2013 Maas B05B 11/00446
239/1
2014/0246506 A1 9/2014 Maas et al.
2015/0008267 A1 1/2015 Maas et al.

(Continued)

FOREIGN PATENT DOCUMENTS

EM 003142009-0001 5/2016
EP 3517216 A1 * 7/2019 B05B 11/3059

(Continued)

Primary Examiner — Catherine A Tuttle

(74) *Attorney, Agent, or Firm* — Cook Alex Ltd.

(57) **CLAIM**

The ornamental design for a dispenser, as shown and described.

DESCRIPTION

FIG. 1 is an upper perspective view showing the new design for a dispenser;

FIG. 2 is a front elevational view thereof;

FIG. 3 is a rear elevational view thereof;

FIG. 4 is a left side elevational view thereof;

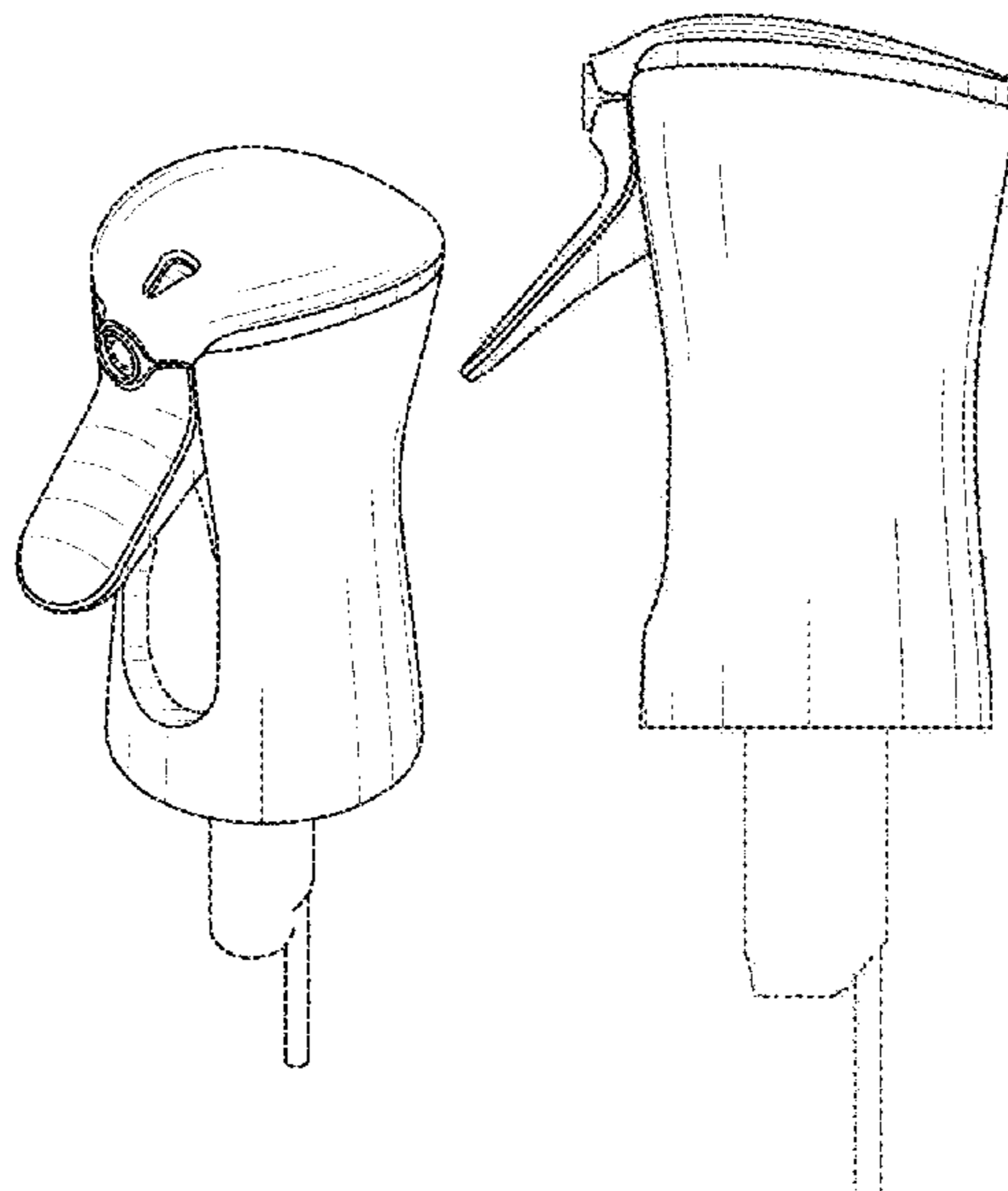
FIG. 5 is a right side elevational view thereof;

FIG. 6 is a top plan view thereof; and,

FIG. 7 is a bottom plan view thereof.

In the drawings, the broken lines depict portions of the dispenser that form no part of the claim. The appearance within the unshaded, recessed regions adjacent to the broken lines likewise forms no part of the claim.

1 Claim, 7 Drawing Sheets



(56)

References Cited

U.S. PATENT DOCUMENTS

2018/0185864 A1 7/2018 Maas et al.
2018/0318858 A1 11/2018 Maas et al.
2019/0232311 A1* 8/2019 Hoefte B05B 15/14

FOREIGN PATENT DOCUMENTS

EP 3517217 A1 * 7/2019 B05B 11/3042
WO WO 2013/043938 A1 3/2013

* cited by examiner

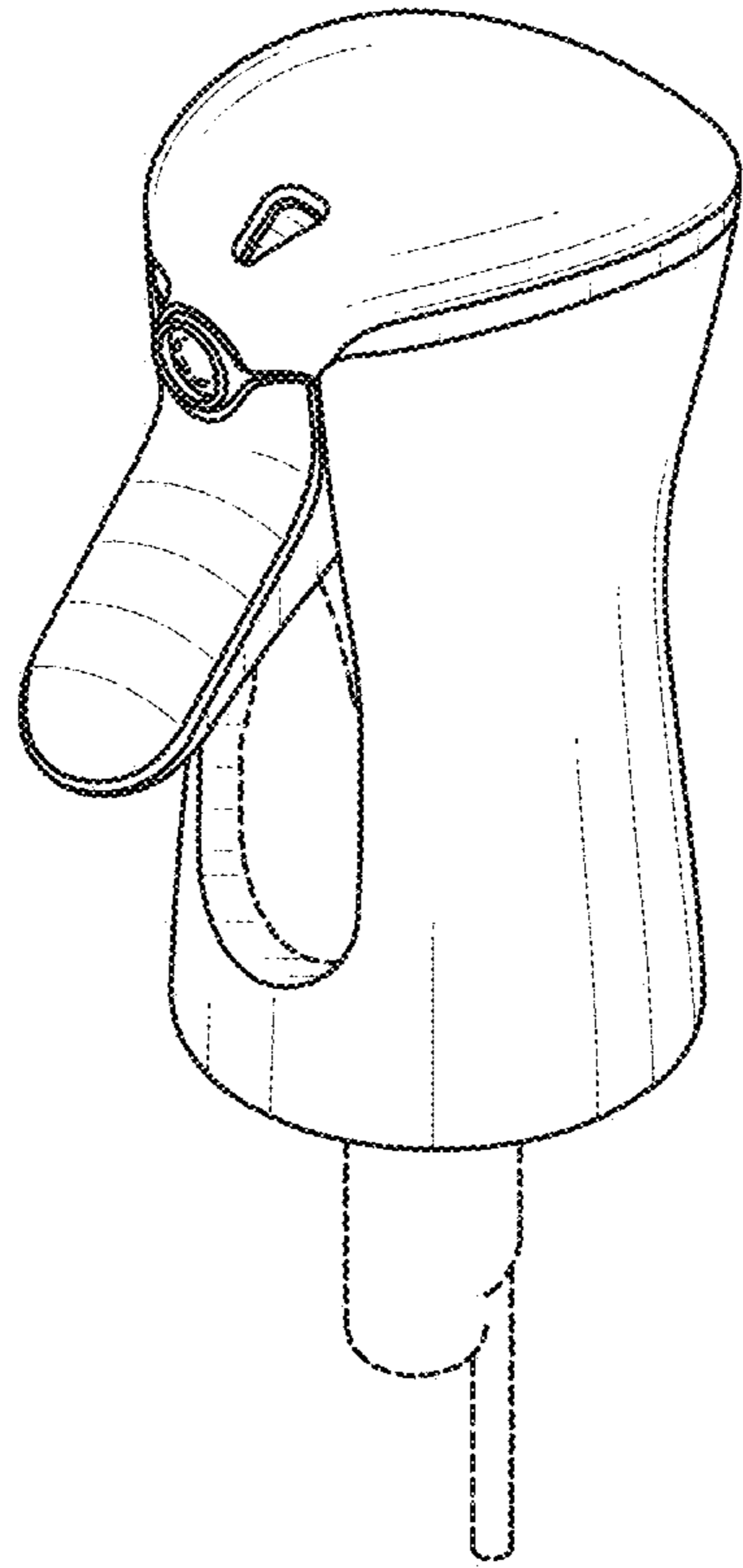


FIG.1

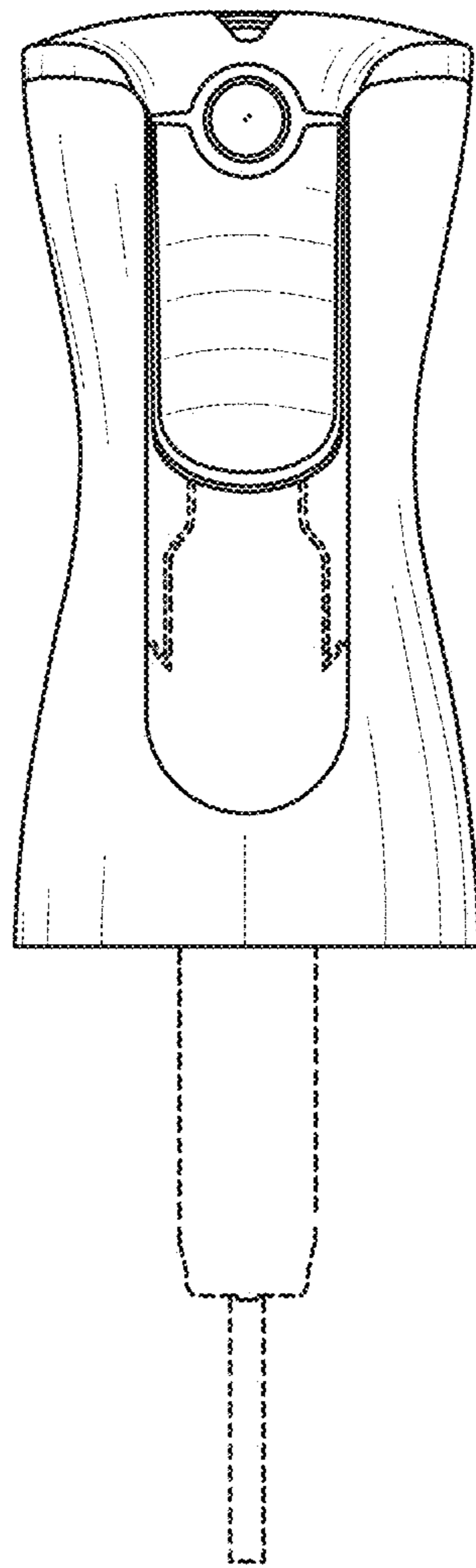


FIG.2

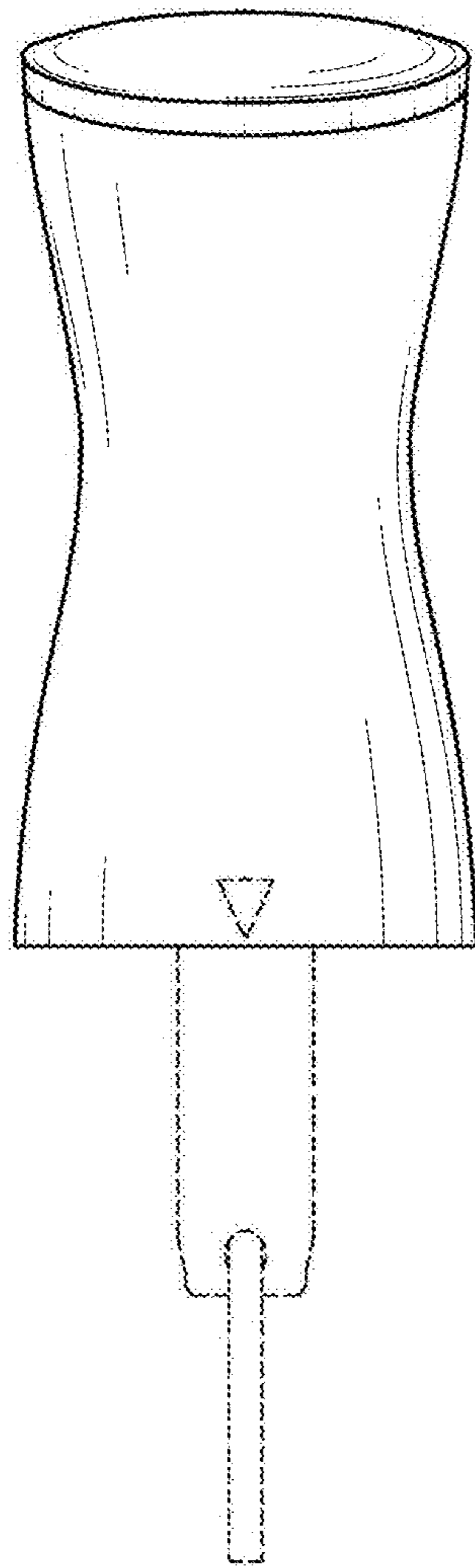


FIG. 3

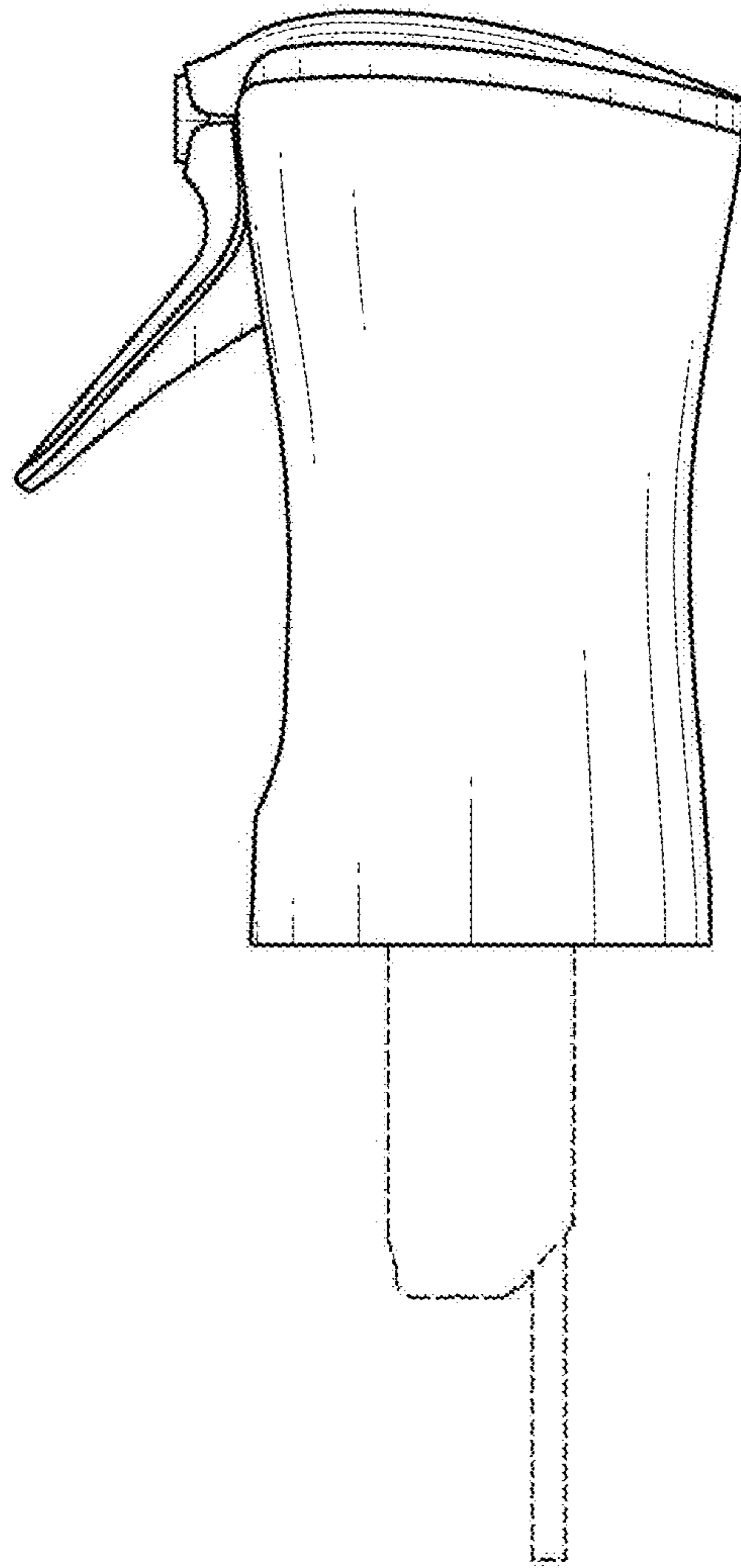


FIG. 4

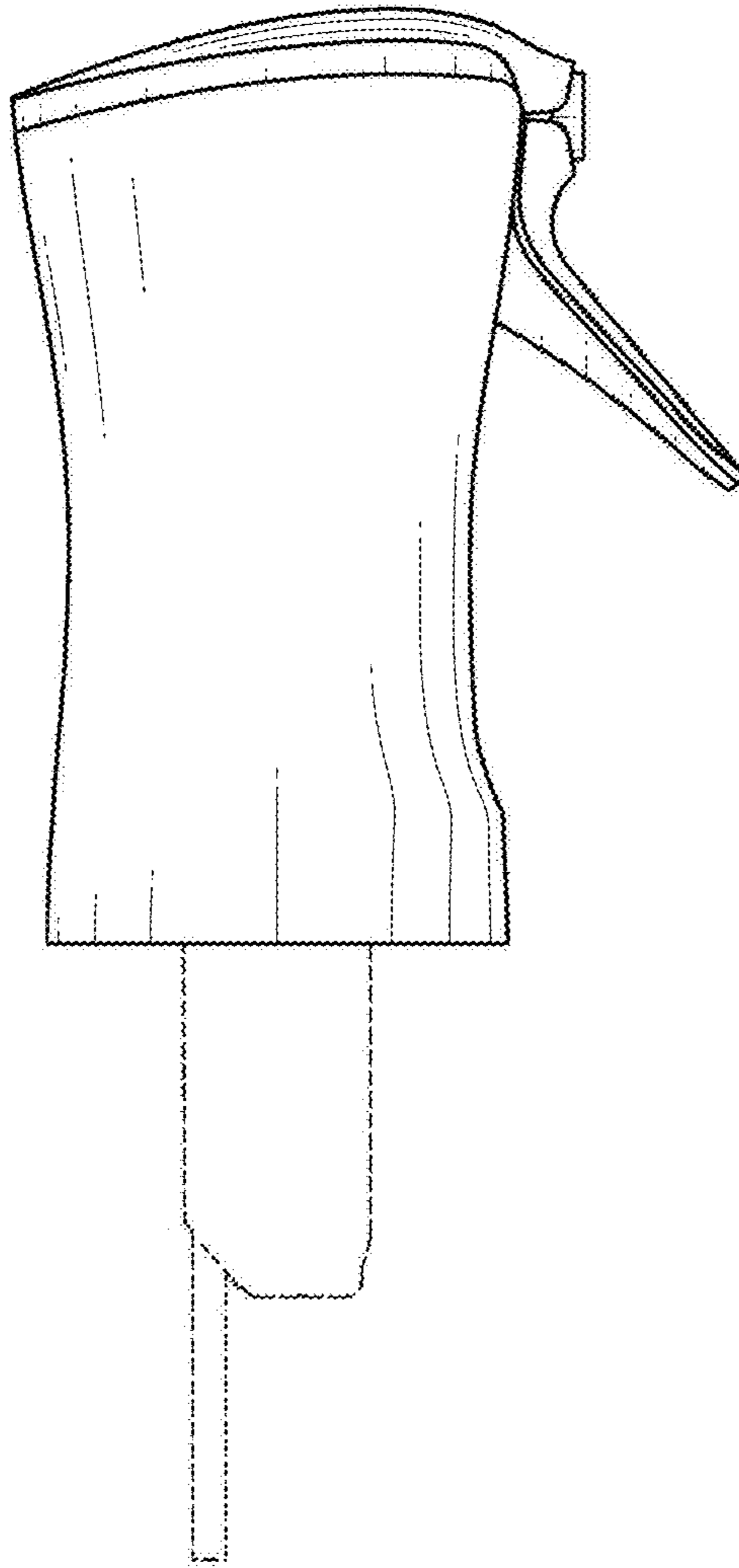


FIG. 5

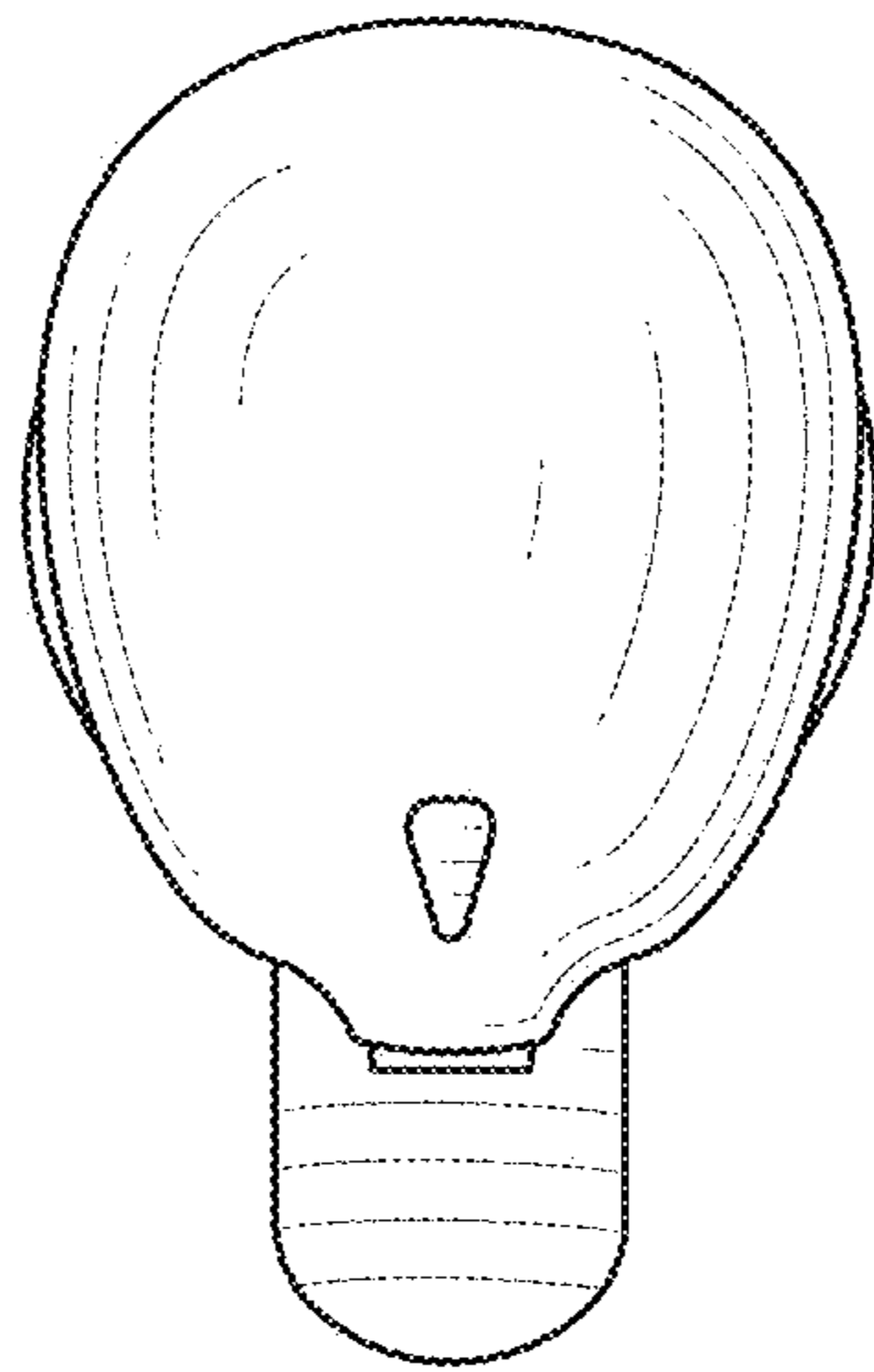


FIG.6

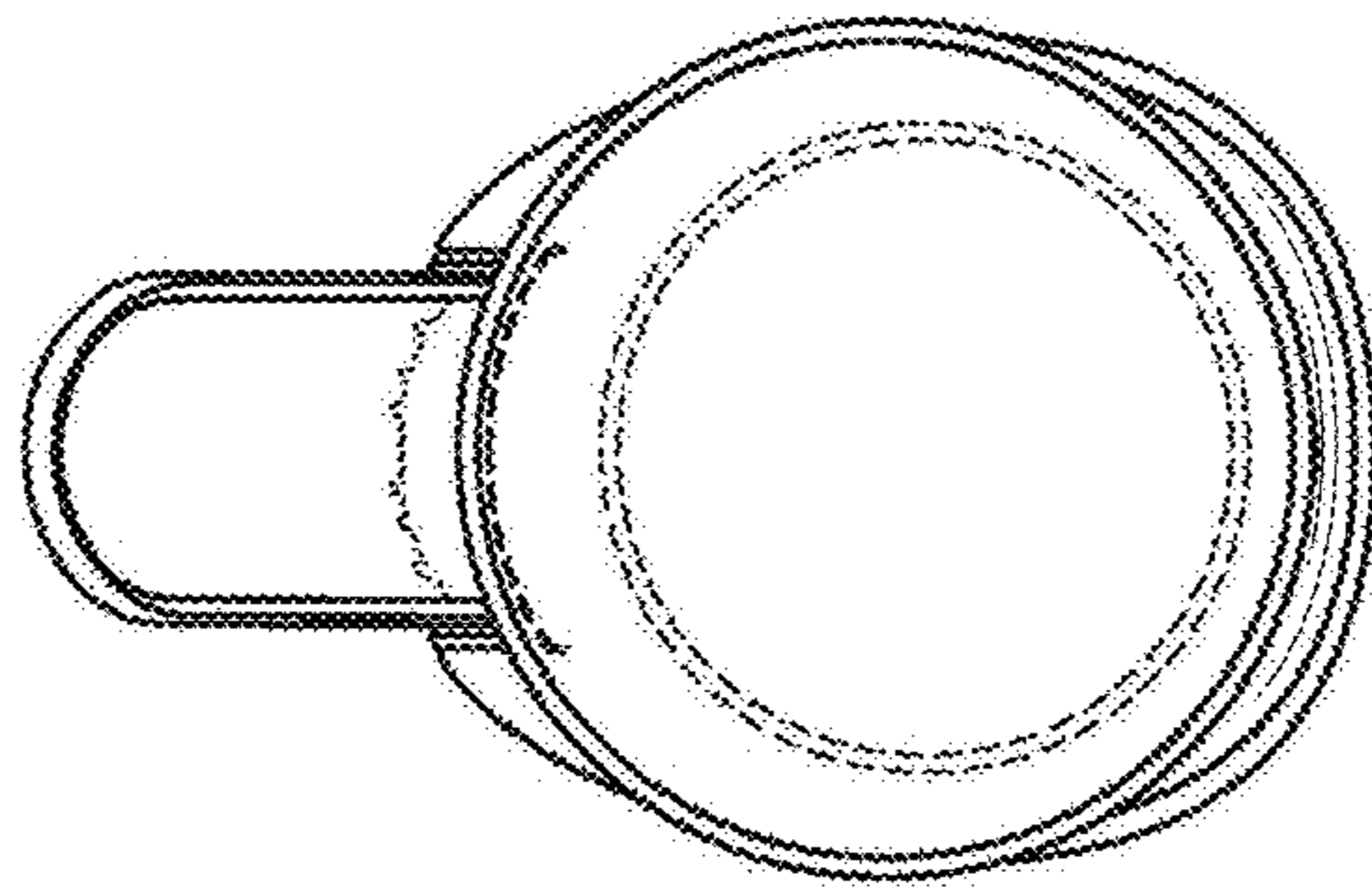


FIG.7

UNITED STATES PATENT AND TRADEMARK OFFICE
CERTIFICATE OF CORRECTION

PATENT NO. : D944,644 S
APPLICATION NO. : 29/699313
DATED : March 1, 2022
INVENTOR(S) : Paolo Nervo and Dennis Van Melick

Page 1 of 1

It is certified that error appears in the above-identified patent and that said Letters Patent is hereby corrected as shown below:

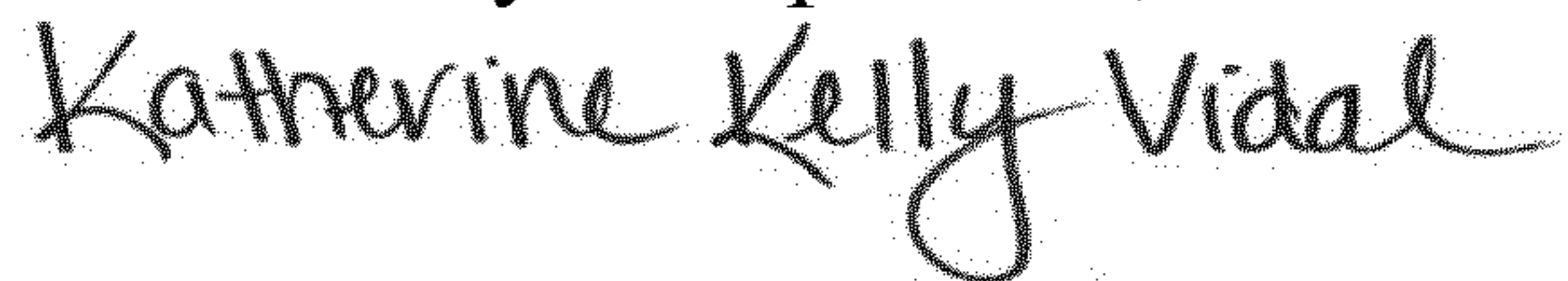
On the Title Page

Insert Item (30) immediately after and below “(22)”:

--(30) Foreign Application Priority Data

Jan. 31, 2019 (EM) 006134516--

Signed and Sealed this
Third Day of September, 2024



Katherine Kelly Vidal
Director of the United States Patent and Trademark Office