



US00D944643S

(12) **United States Design Patent** (10) **Patent No.:** **US D944,643 S**  
**D'Amato** (45) **Date of Patent:** **\*\* Mar. 1, 2022**

(54) **PAPER LID**

FOREIGN PATENT DOCUMENTS

(71) Applicant: **SEDA INTERNATIONAL**  
**PACKAGING GROUP SPA**, Arzano  
Napoli (IT)

CN 103482207 A 1/2014  
CN 105857894 A 8/2016  
(Continued)

(72) Inventor: **Gianfranco D'Amato**, Arzano Napoli  
(IT)

OTHER PUBLICATIONS

Taiwanese Search Report, 109127939, dated Aug. 30, 2019.  
(Continued)

(\*\*) Term: **15 Years**

(21) Appl. No.: **35/509,902**

*Primary Examiner* — Khawaja Anwar

(22) Filed: **Feb. 26, 2020**

(80) **Hague Agreement Data**

(57) **CLAIM**

Int. Filing Date: **Feb. 26, 2020**  
Int. Reg. No.: **DM/209231**  
Int. Reg. Date: **Feb. 26, 2020**  
Int. Reg. Pub. Date: **Jul. 24, 2020**

The ornamental design for a paper lid, as shown and described.

(30) **Foreign Application Priority Data**

**DESCRIPTION**

Aug. 30, 2019 (EP) ..... 006792180

(51) **LOC (13) Cl.** ..... **09-03**

(52) **U.S. Cl.**  
USPC ..... **D9/435**

(58) **Field of Classification Search**  
USPC ..... D9/434, 435, 414, 416, 424, 425, 428,  
D9/429, 452, 454, 456, 500, 502, 503;  
D7/397, 538, 601, 602, 641, 629, 900  
CPC .. B65D 90/48; B65D 81/3818; B65D 81/382;  
B65D 85/30; B65D 88/06; B65D 88/128;  
B65D 90/50  
See application file for complete search history.

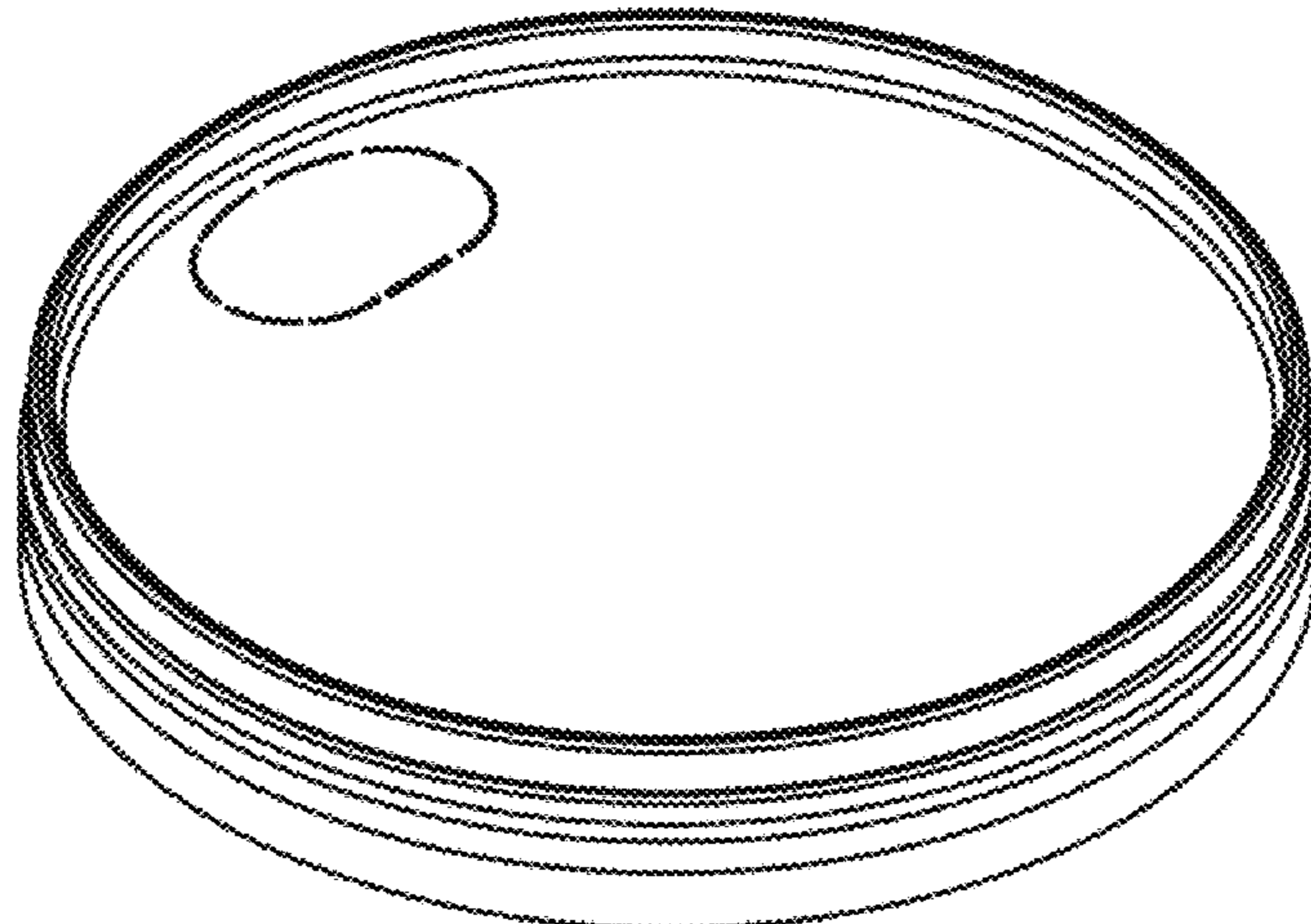
Figure 1.1 is a perspective view of a lid for disposable cup showing a first embodiment of the design;  
Figure 1.2 is a top view thereof;  
Figure 1.3 is an enlarged cross-sectional view thereof;  
Figure 1.4 is an enlarged portion of Figure 1.3;  
Figure 2.1 is a perspective view of a lid for disposable cup showing a second embodiment of the design;  
Figure 2.2 is a top view thereof;  
Figure 2.3 is an enlarged cross-sectional view thereof;  
Figure 2.4 is an enlarged portion of Figure 2.3;  
Figure 3.1 is a perspective view of a lid for disposable cup showing a third embodiment of the design;  
Figure 3.2 is a top view thereof;  
Figure 3.3 is an enlarged cross-sectional view thereof;  
Figure 3.4 is an enlarged portion of Figure 3.3;  
Figure 4.1 is a perspective view of a lid for disposable cup showing a fourth embodiment of the design;  
Figure 4.2 is a top view thereof;  
Figure 4.3 is an enlarged cross-sectional view thereof; and  
Figure 4.4 is an enlarged portion of Figure 4.3.

(56) **References Cited**

U.S. PATENT DOCUMENTS

D286,026 S \* 10/1986 Rayner ..... D9/435  
4,953,743 A 9/1990 Dart et al.  
(Continued)

(Continued)



The broken lines shown in the drawings illustrate portions of the lid for disposable cup that form no part of the claimed design. The dot-dashed lines form no part of the claimed design.

**1 Claim, 16 Drawing Sheets**

(56)

**References Cited**

U.S. PATENT DOCUMENTS

D398,997	S	*	9/1998	Taylor	.....	D23/386
D495,600	S	*	9/2004	Kouri	.....	D9/435
D774,887	S	*	12/2016	Torrison	.....	D9/416
D804,306	S	*	12/2017	Simons	.....	D9/454
D816,500	S	*	5/2018	Torrison	.....	D9/454
D820,677	S	*	6/2018	D'Anglade	.....	D9/435
D828,158	S	*	9/2018	Manis	.....	D9/436
10,604,307	B2		3/2020	Stahlecker		
D882,397	S	*	4/2020	Dziaba	.....	D9/435
D885,919	S	*	6/2020	Beardsall	.....	D9/503
D889,902	S	*	7/2020	Cheng	.....	D7/391
D891,174	S	*	7/2020	Cheng	.....	D7/391
10,913,581	B2		2/2021	Stahlecker		
D916,590	S	*	4/2021	Albright	.....	D9/435
D917,283	S	*	4/2021	Albright	.....	D9/435
D917,284	S	*	4/2021	Albright	.....	D9/435
2008/0099481	A1		5/2008	D'Amato		
2013/0056463	A1		3/2013	Buck		

FOREIGN PATENT DOCUMENTS

CN			206395040	U		8/2017
DE			4012379	A1		1/1991

DE			202004008076	U1		10/2005
DE			202005018987	U1		4/2007
DE			102014219272	A1		3/2016
EP			1787916	A1		5/2007
EP			1975085	A2		10/2008
EP			1968861	B1		3/2011
EP			2674370	A1		12/2013
EP			3068706	A1		9/2016
TW			M579156	U		6/2019
WO			07065605	A1		6/2007
WO			14/031880	A1		2/2014
WO			15071743	A1		5/2015
WO			16/069755	A1		5/2016
WO			16099173	A1		6/2016

OTHER PUBLICATIONS

German Search Report, DE20219104776.3, dated Oct. 12, 2020.  
 Machine translation of Notification and Application for Declaration of Invalidity for corresponding ICD 000115887 Design 1.  
 Machine translation of Notification and Application for Declaration of Invalidity for corresponding ICD 00115906 Design 2.  
 Machine translation of Notification and Application for Declaration of Invalidity for corresponding ICD 00115907 Design 3.  
 Machine translation of Notification and Application for Declaration of Invalidity for corresponding ICD 00115888 Design 4.  
 Machine translation of Notification and Application for Declaration of Invalidity for corresponding ICD 00115908 Design 5.  
 Machine translation of Notification and Application for Declaration of Invalidity for corresponding ICD 00115889 Design 6.

\* cited by examiner

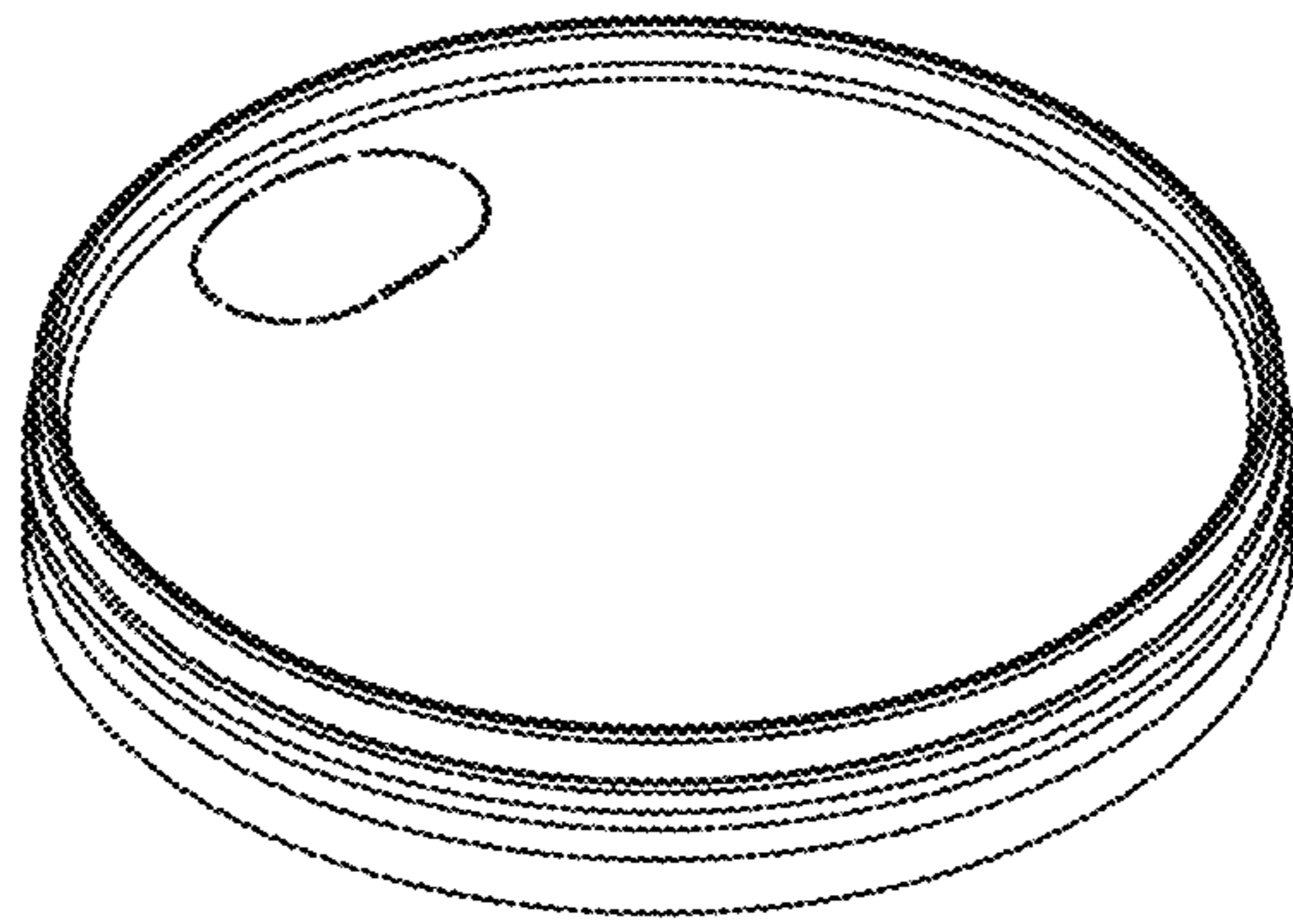


FIG. 1.1

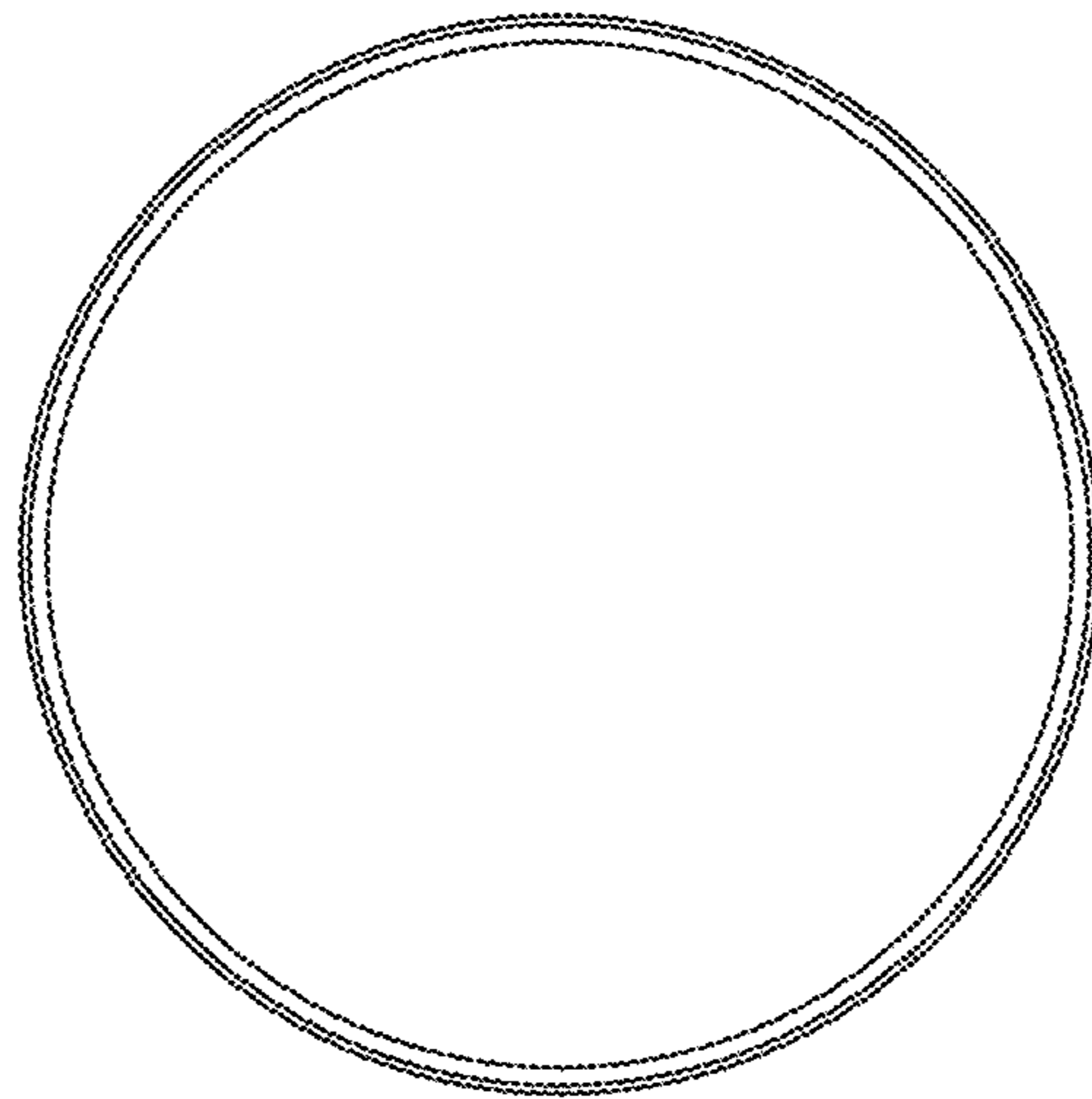


FIG. 1.2

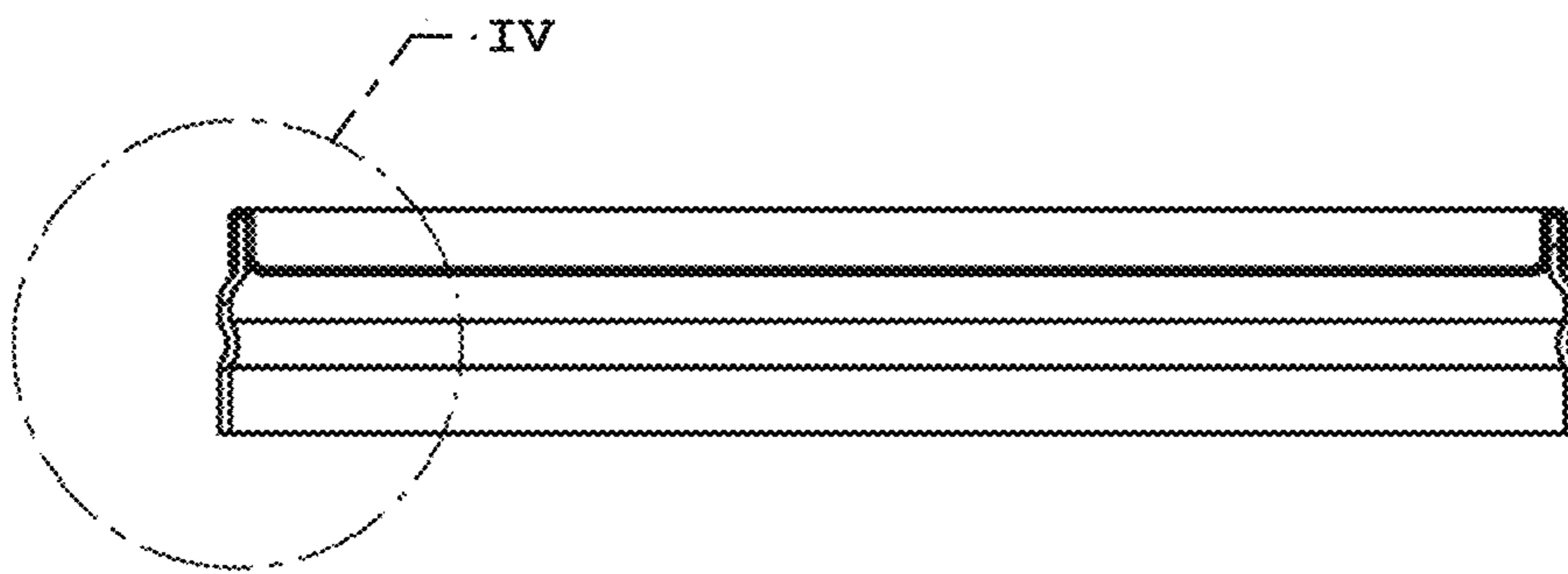


FIG. 1.3

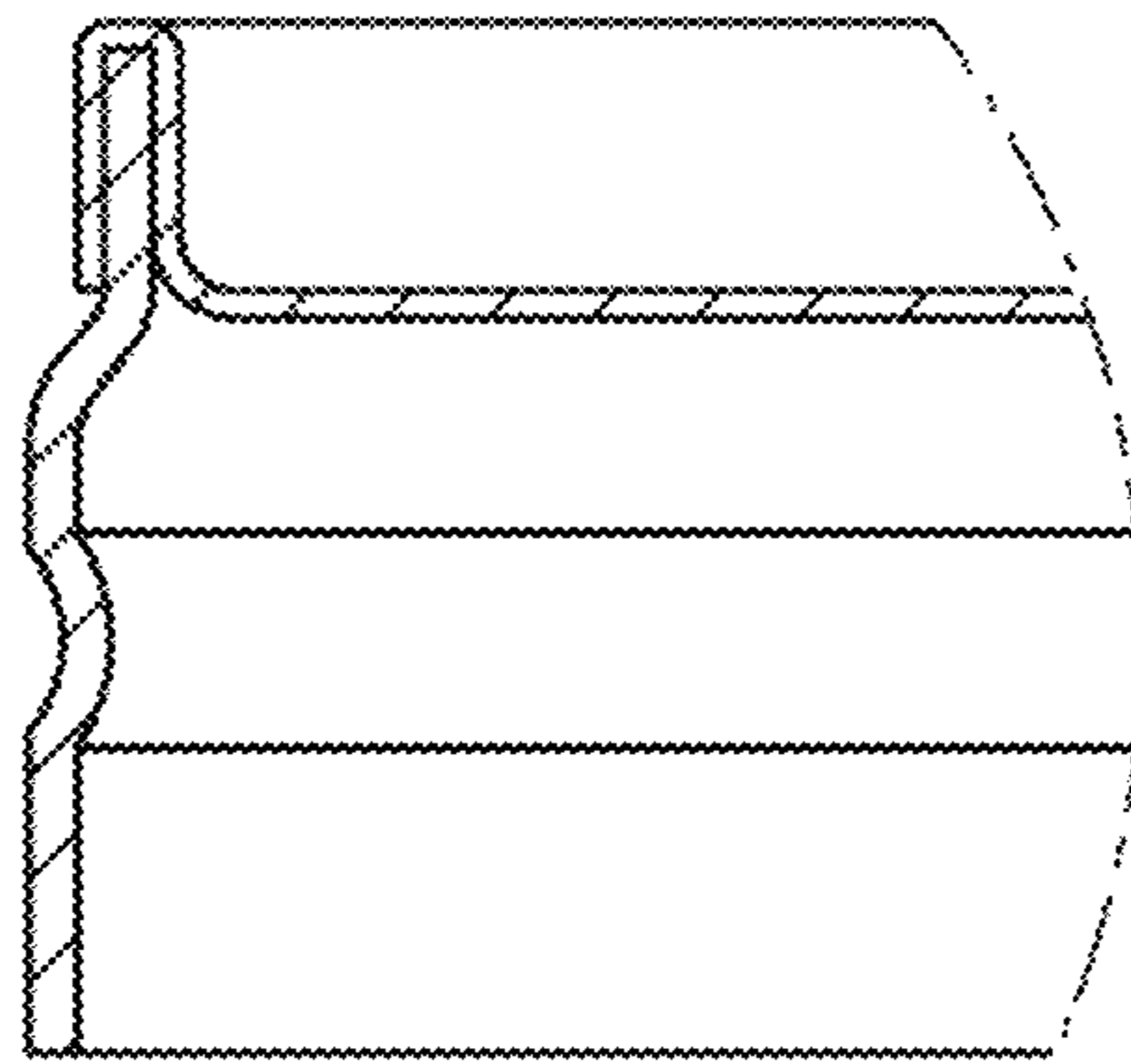


FIG. 1.4

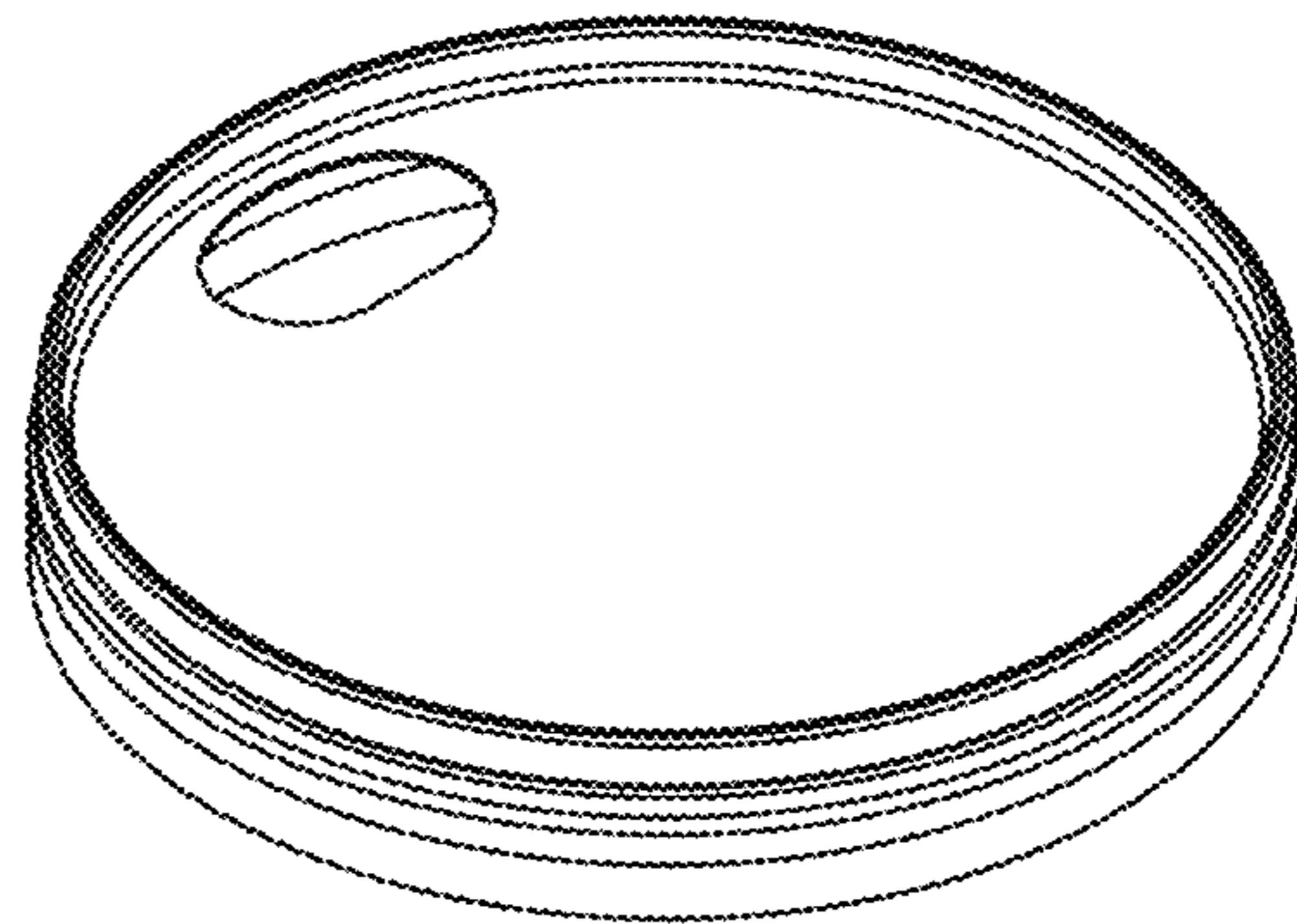


FIG. 2.1

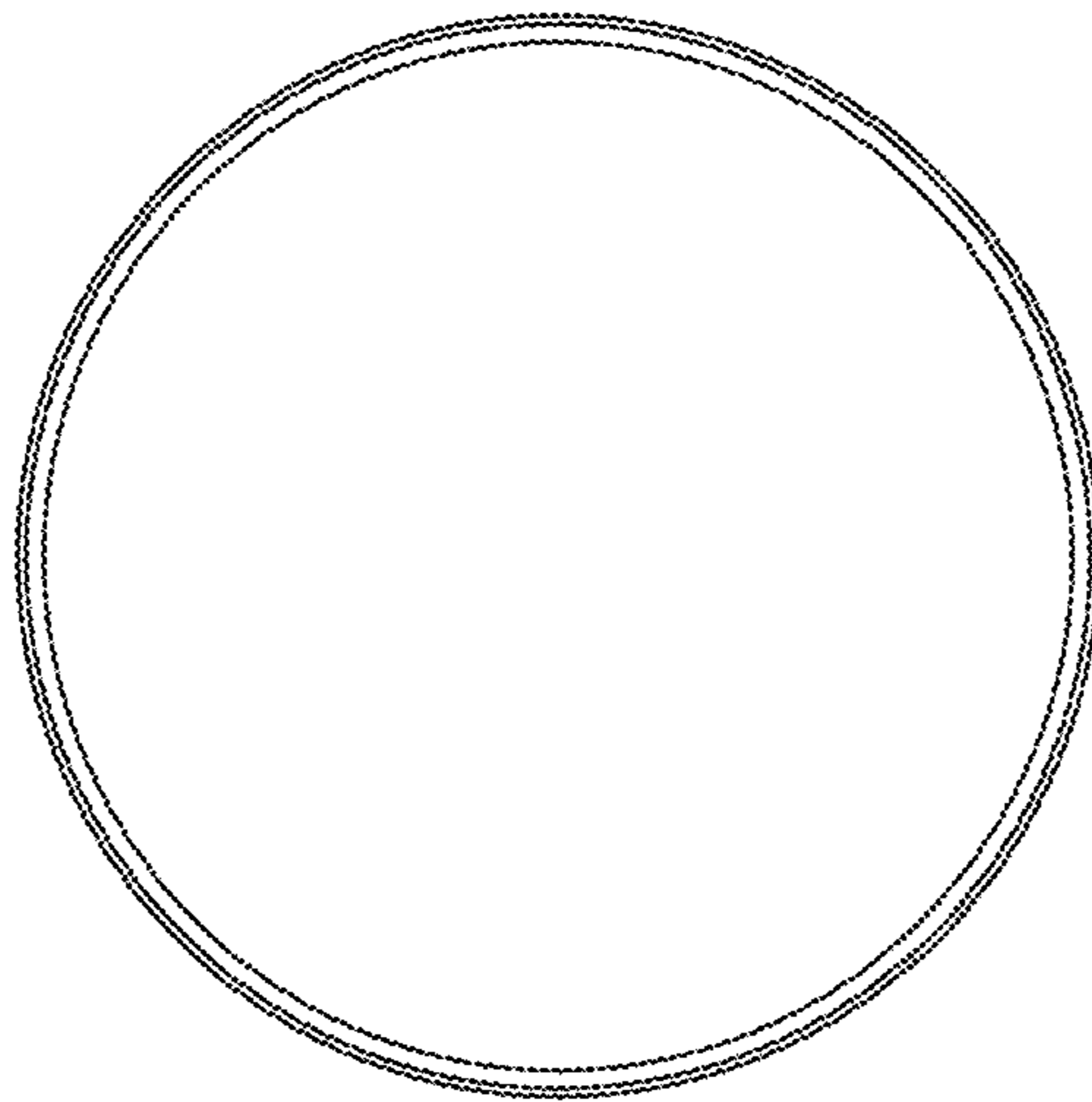


FIG. 2.2



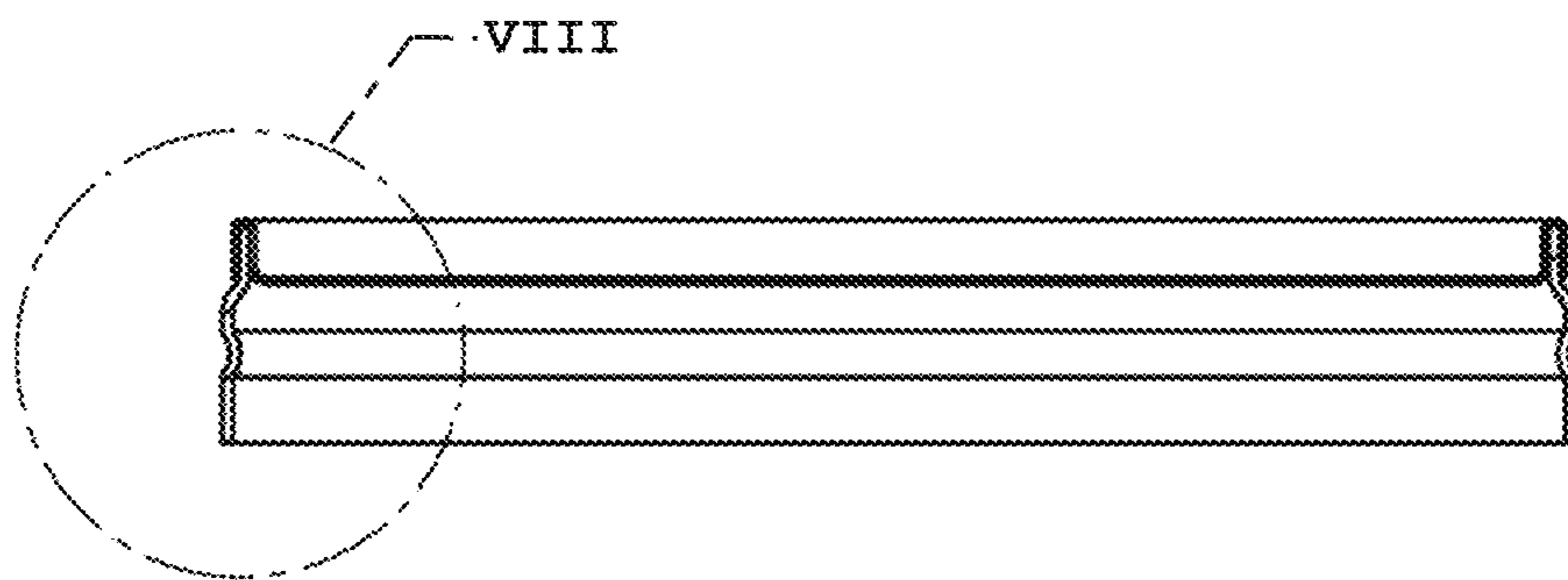


FIG. 2.3

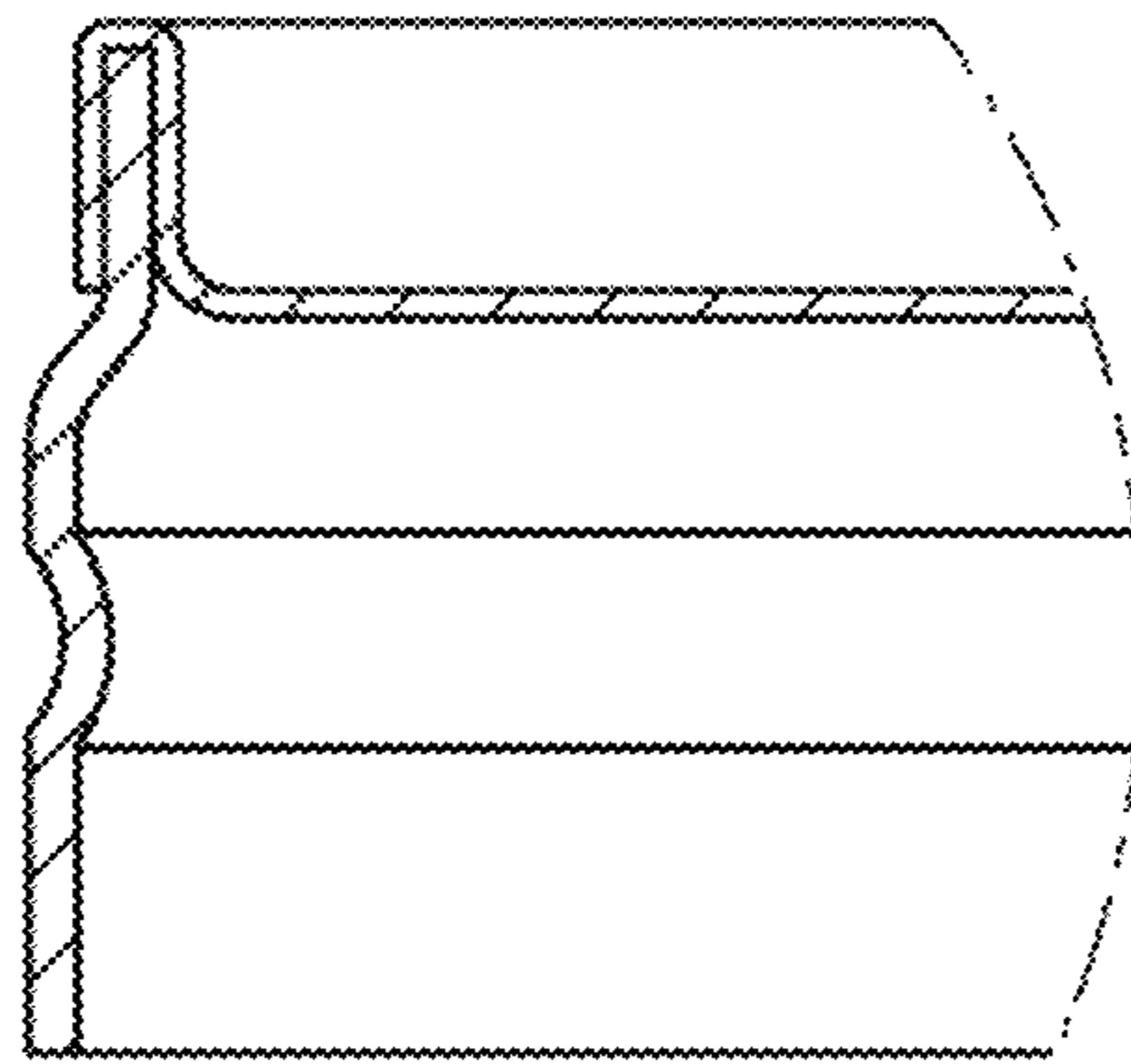


FIG. 2.4

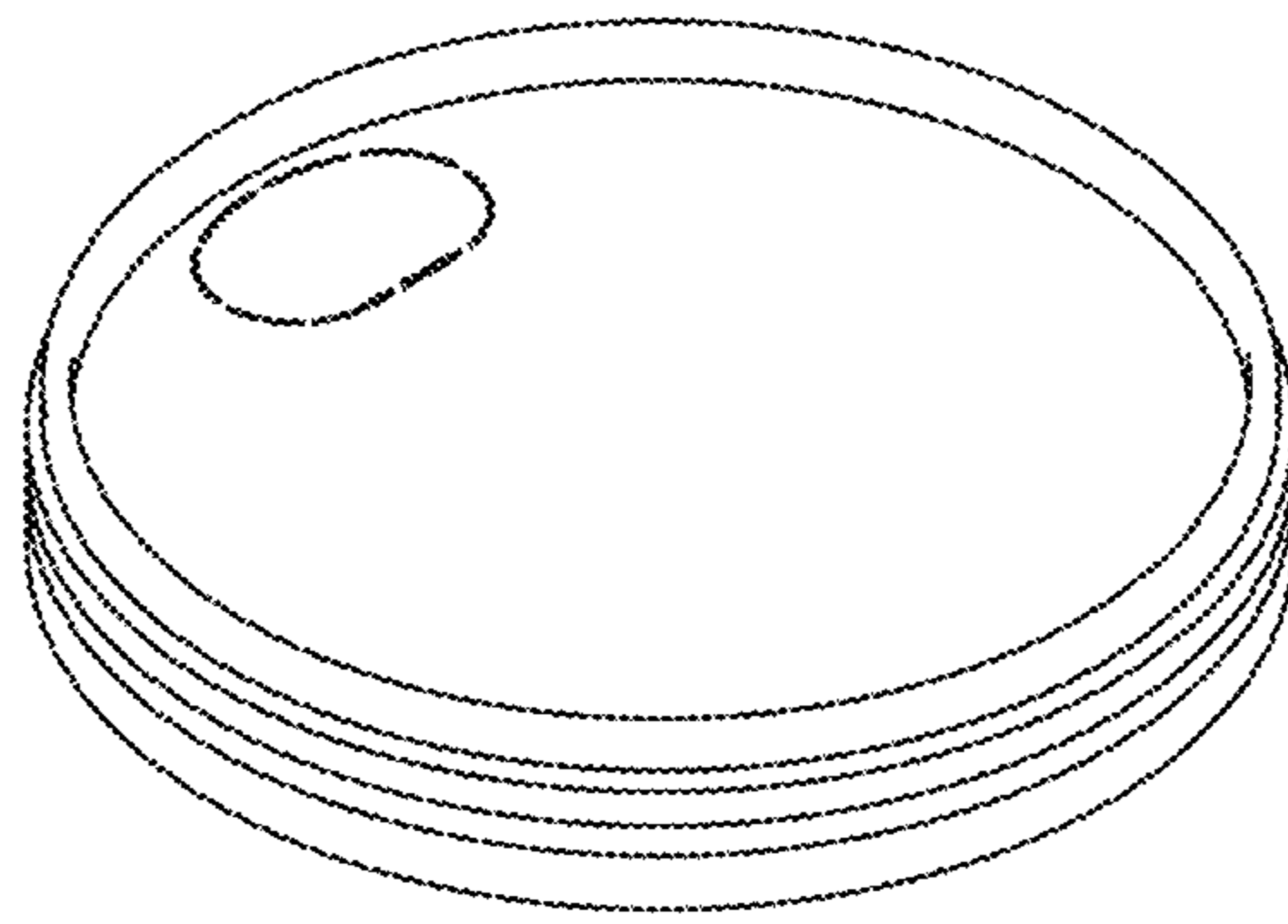


FIG. 3.1

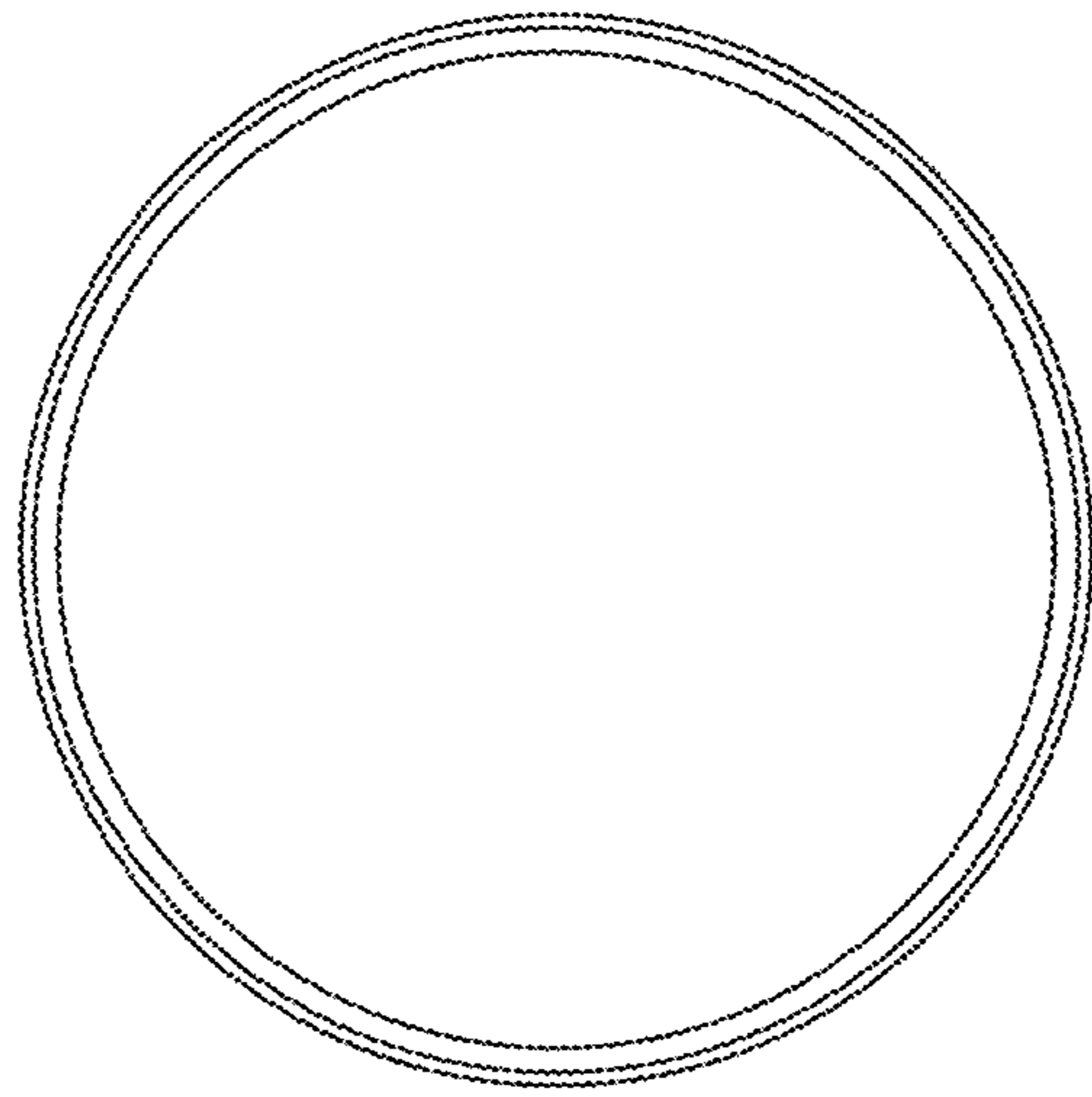


FIG. 3.2



FIG. 3.3

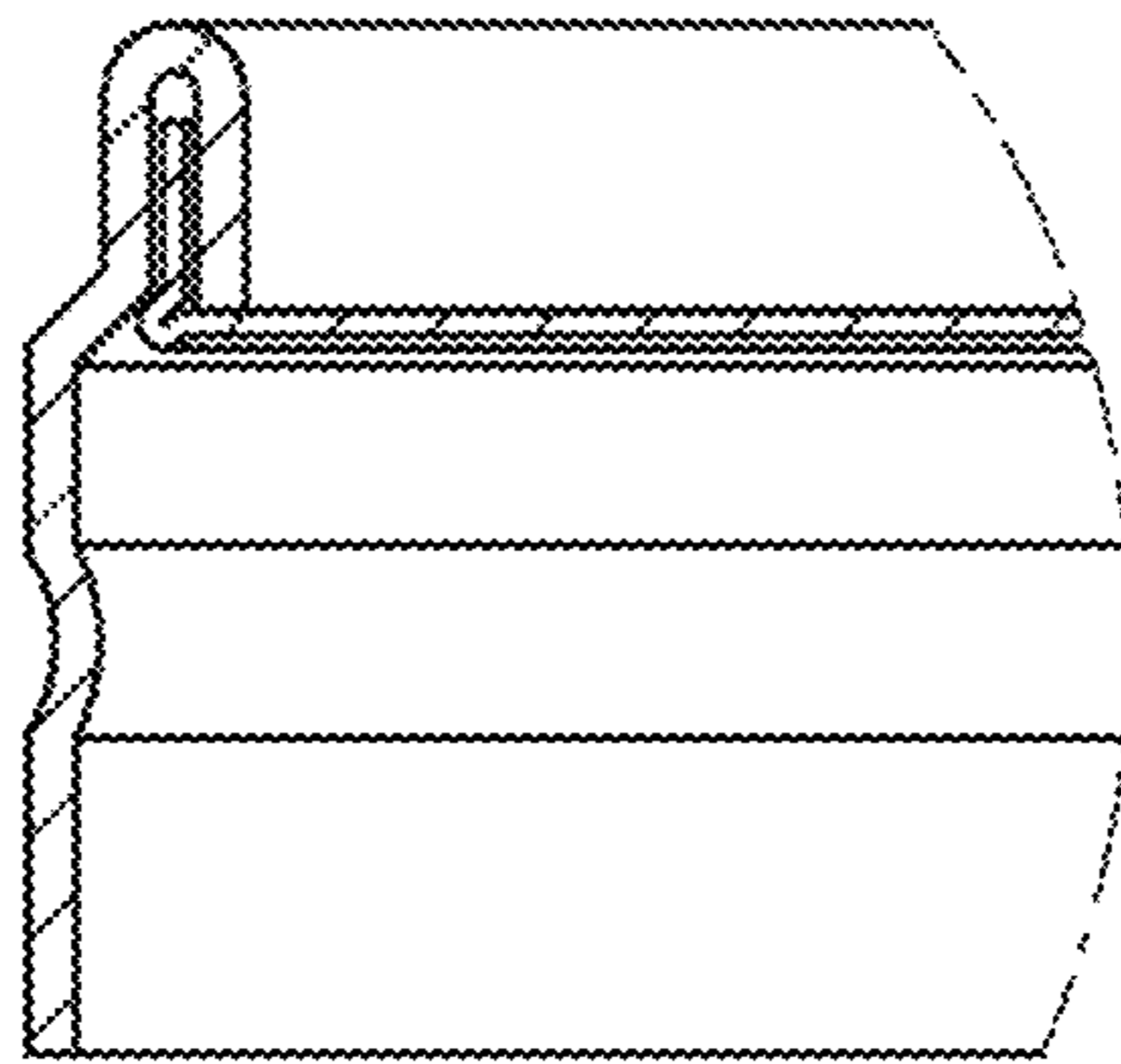


FIG. 3.4

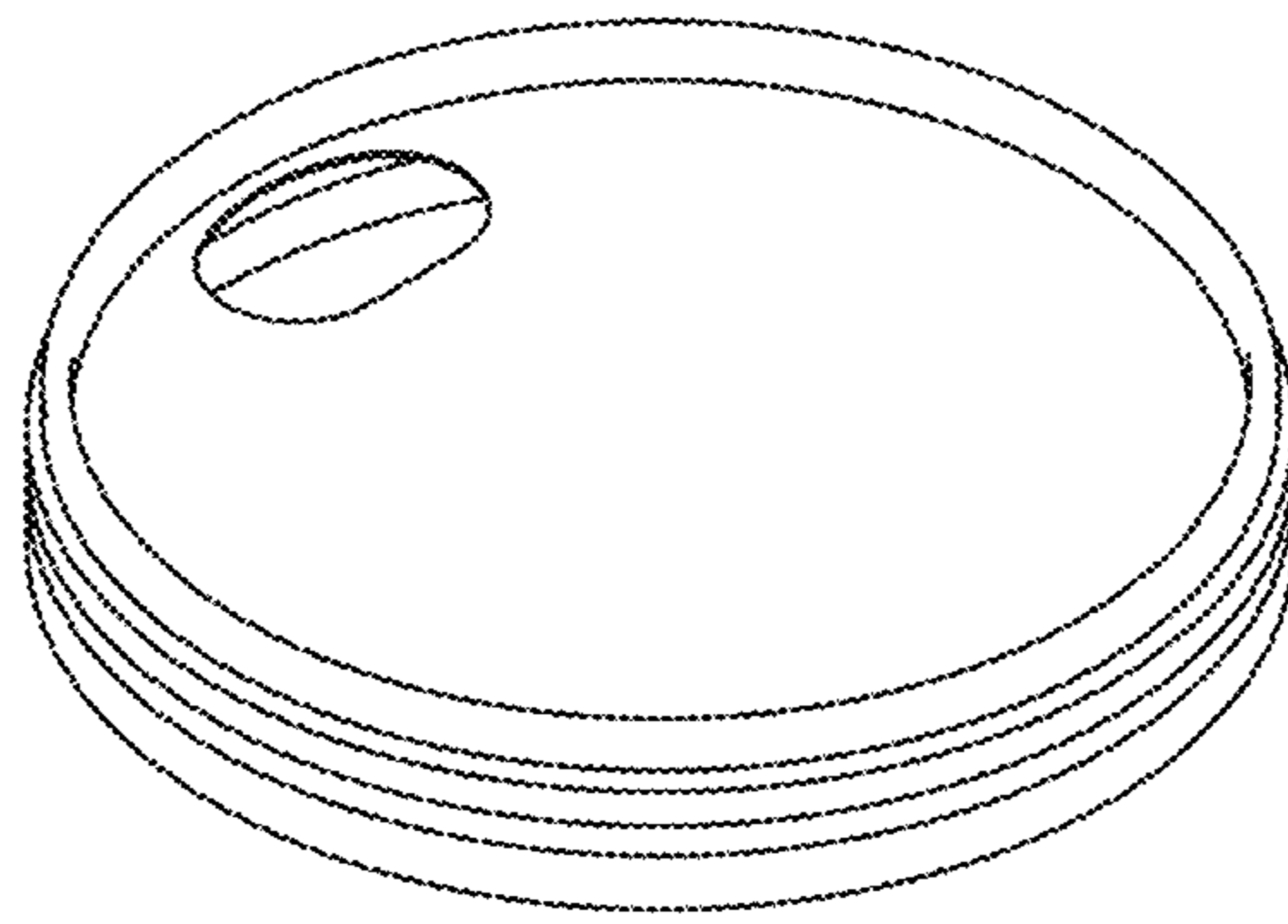


FIG. 4.1

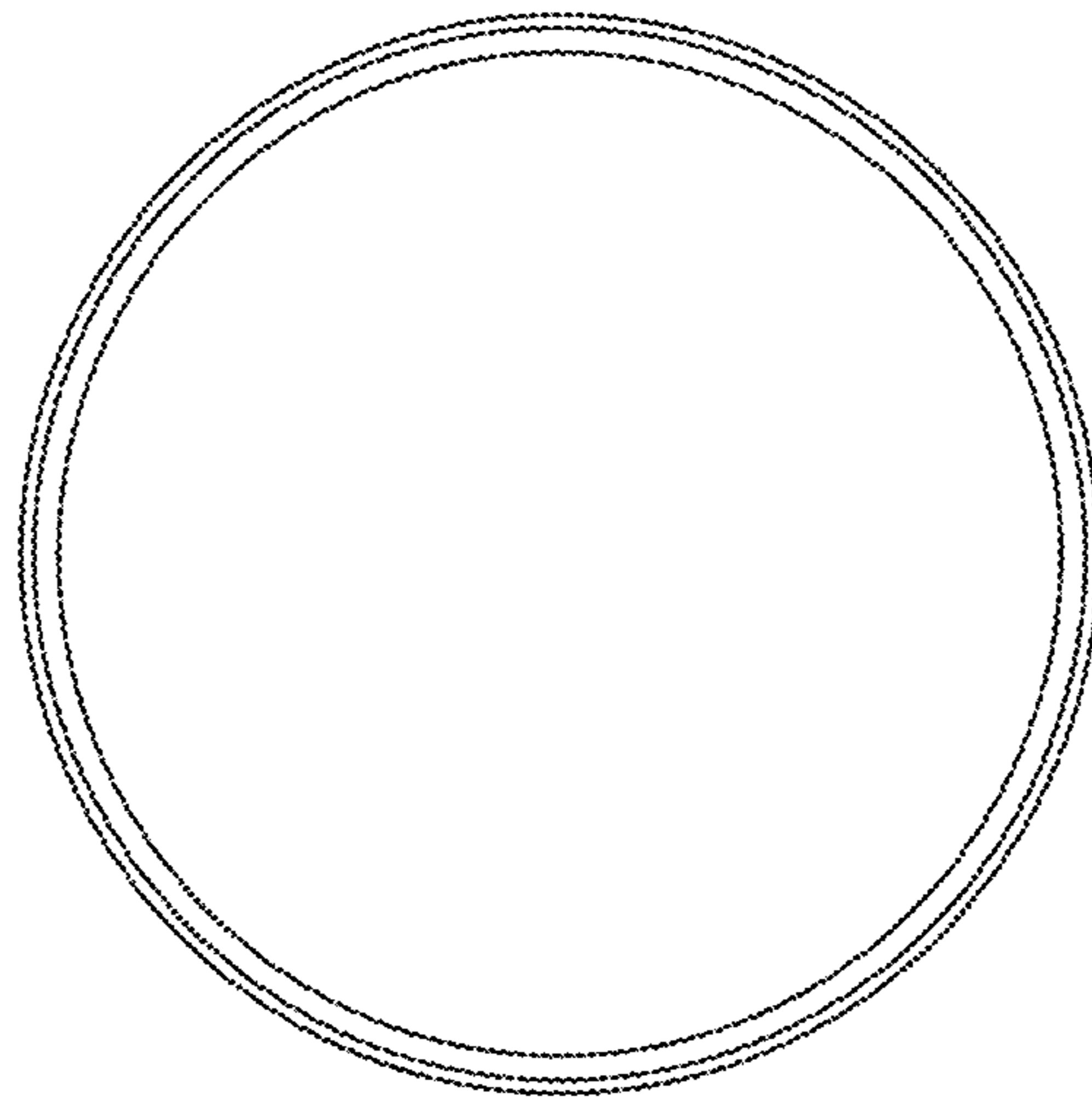


FIG. 4.2



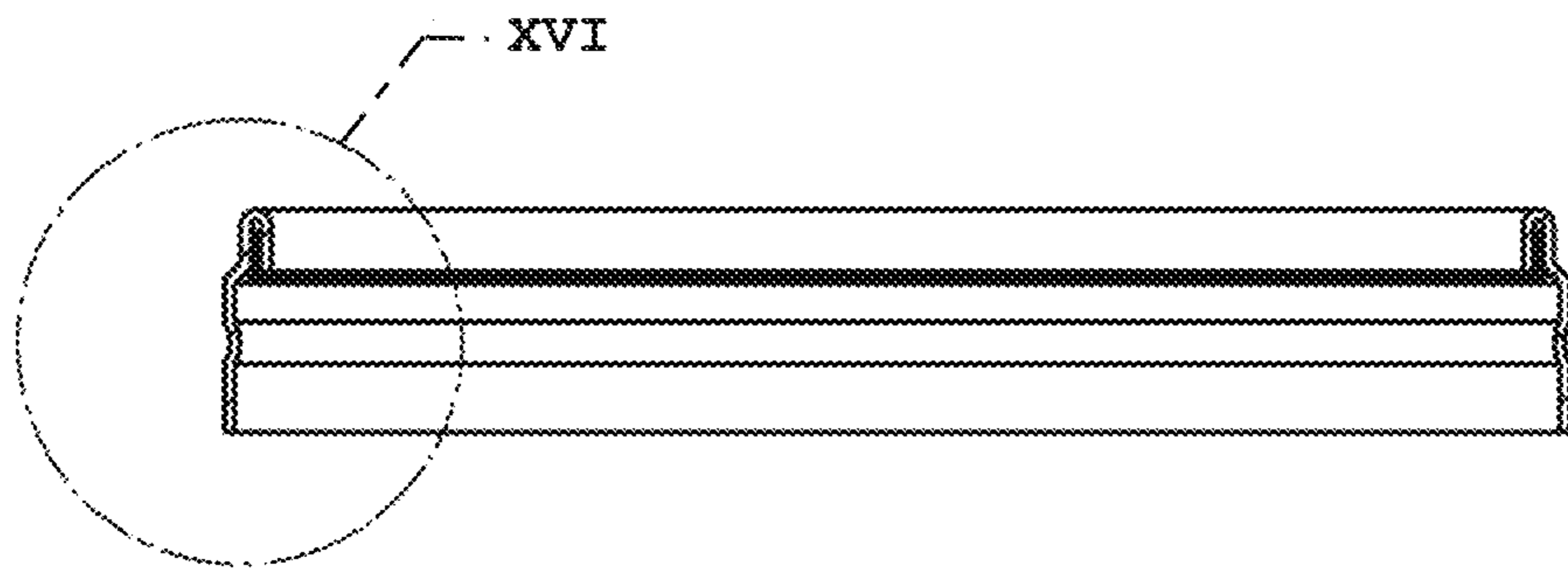


FIG. 4.3

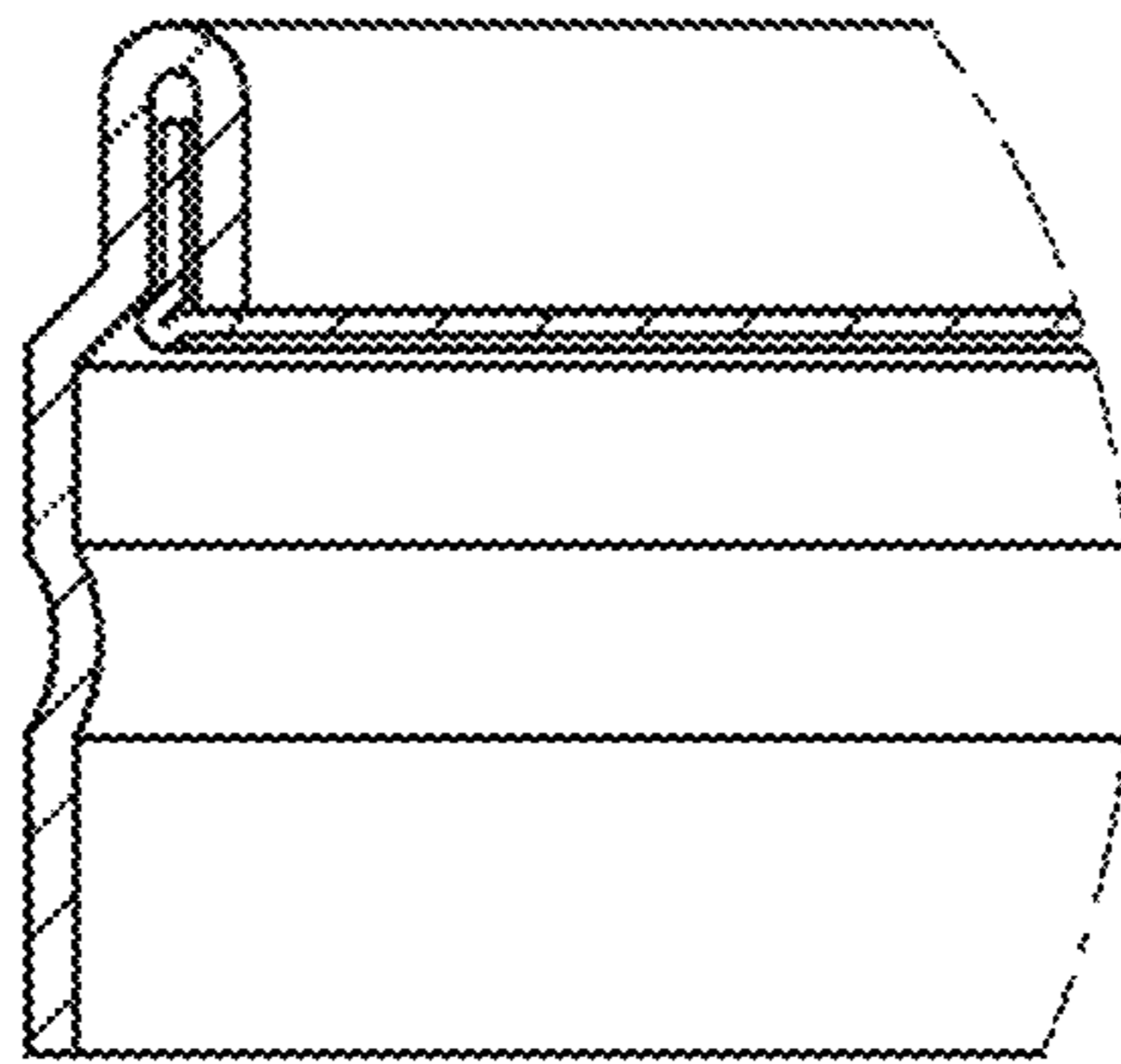


FIG. 4.4