



US00D944641S

(12) **United States Design Patent** (10) **Patent No.:** **US D944,641 S**
Wu (45) **Date of Patent:** **** Mar. 1, 2022**

(54) **CONTAINER**
(71) Applicant: **TAISHAN ZHONGSHANG FOOD PACKAGING MANUFACTURING CO., LTD., Taishan (CN)**
(72) Inventor: **Jingdong Wu, Taishan (CN)**
(73) Assignee: **TAISHAN ZHONGSHANG FOOD PACKAGING MANUFACTURING CO., LTD., Taishan (CN)**
(**) Term: **15 Years**
(21) Appl. No.: **29/739,301**
(22) Filed: **Jun. 24, 2020**
(51) **LOC (13) Cl.** **09-03**
(52) **U.S. Cl.**
USPC **D9/425; D9/428; D7/602**
(58) **Field of Classification Search**
USPC D9/414, 417, 420, 423, 424, 425, 430, D9/431, 432, 499, 428, 429, 434, 435, D9/436, 454, 426; D7/387, 392, 392.1, D7/396.1, 601, 602
CPC B65D 21/0223; B65D 51/1605; B65D 43/162; B65D 51/1683; B65D 51/16; B65D 43/02
See application file for complete search history.

D598,744 S * 8/2009 Shields D9/425
D606,368 S * 12/2009 Wu D7/629
D628,080 S * 11/2010 Van Heerikhuize D9/549
D634,618 S * 3/2011 Colacitti D9/425
D663,615 S * 7/2012 Liang D9/425
D664,033 S * 7/2012 Liang D9/428
D664,427 S * 7/2012 Chen D9/425
D665,663 S * 8/2012 Krupa D9/428
D669,313 S * 10/2012 Paladino D7/602

(Continued)

OTHER PUBLICATIONS

Taishan Zhongshang Food Packaging Manufacturing Co. Ltd. RO-8. Publication date unavailable. Visited Dec. 28, 2021. <http://www.gdzscc.com/product/897.html> (Year: 0).*

(Continued)

Primary Examiner — Darcey E Gottschalk
Assistant Examiner — Vanessa M. Pursley
(74) *Attorney, Agent, or Firm* — Innovation Capital Law Group, LLP; Vic Lin

(57) **CLAIM**

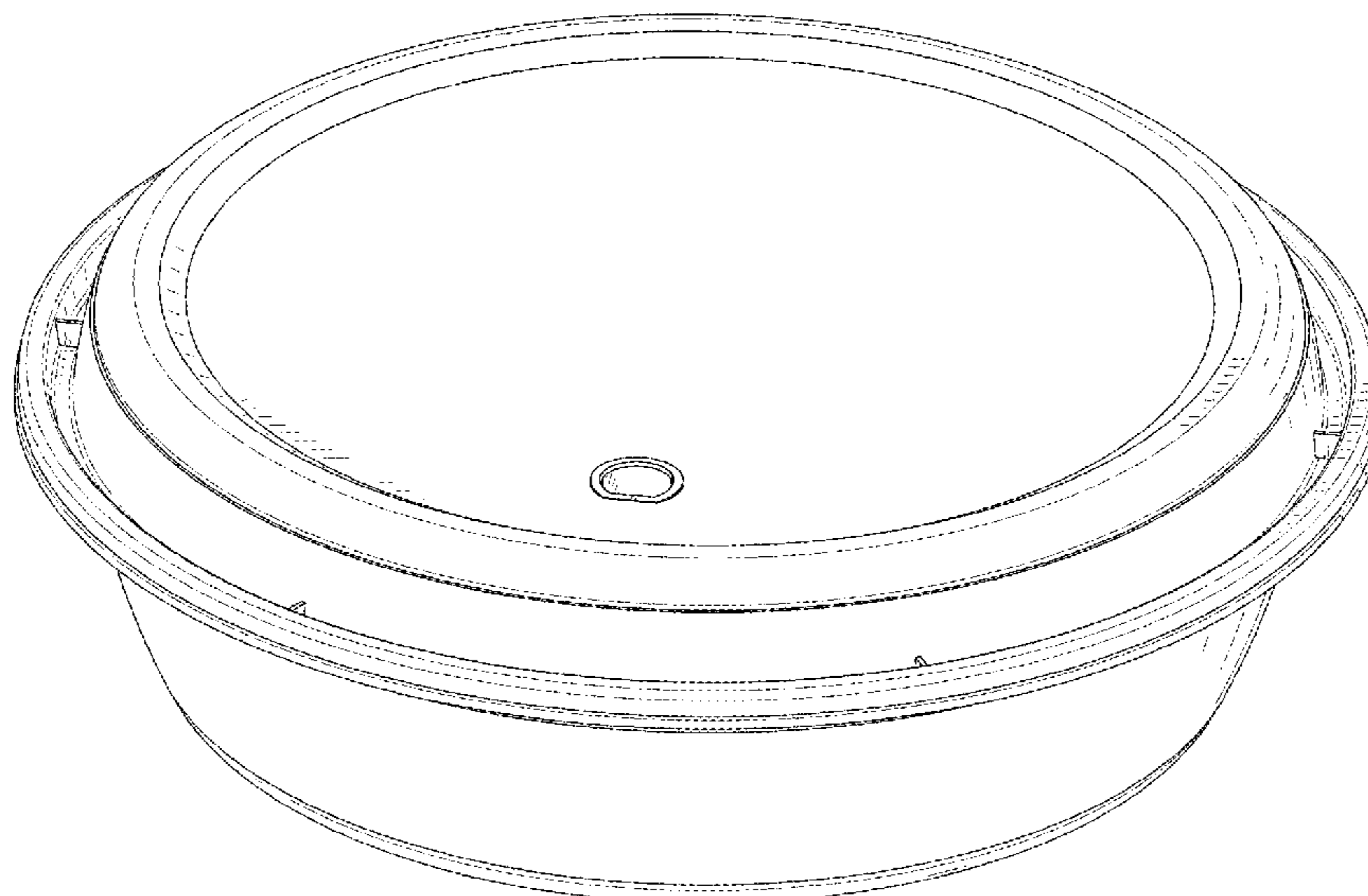
The ornamental design for a container, as shown and described.

DESCRIPTION

FIG. 1 is a front elevation view of a container;
FIG. 2 is a right elevation view of the container;
FIG. 3 is a top plan view of the container;
FIG. 4 is a bottom plan view of the container;
FIG. 5 is a top perspective view of the container;
FIG. 6 is a bottom perspective view of the container;
FIG. 7 is a front cross-section view of the container, taken along line 7-7 of FIG. 3;
FIG. 8 is a top perspective exploded view of the container, shown in an exploded configuration; and,
FIG. 9 is a bottom perspective exploded view of the container, shown in an exploded configuration.

1 Claim, 9 Drawing Sheets

(56) **References Cited**
U.S. PATENT DOCUMENTS
D415,420 S * 10/1999 Chen D7/629
D469,689 S * 2/2003 Buchalski D9/425
D475,621 S * 6/2003 Buchalski D9/428
D491,455 S * 6/2004 Li D9/428
D549,050 S * 8/2007 Spencer D7/538
D592,499 S * 5/2009 Colacitti D7/354
D592,500 S * 5/2009 Colacitti D7/354
D594,324 S * 6/2009 Colacitti D7/354
D594,325 S * 6/2009 Colacitti D7/354
D594,326 S * 6/2009 Colacitti D7/354



(56)

References Cited

U.S. PATENT DOCUMENTS

D680,861	S *	4/2013	Chen	D9/429
D743,253	S *	11/2015	Kui	D9/429
D769,113	S *	10/2016	Chen	D9/425
D794,444	S *	8/2017	Chen	D9/428
D811,214	S *	2/2018	Wu	D9/428
D811,872	S *	3/2018	Wu	D9/428
D838,585	S *	1/2019	Kui	D9/428
D886,600	S *	6/2020	Wu	D9/428
D926,028	S *	7/2021	Huang	D9/425
2018/0022517	A1 *	1/2018	Wu	B65D 43/0208 220/780
2021/0235939	A1 *	8/2021	Munari	A47J 45/071
2021/0300661	A1 *	9/2021	Chen	B65D 81/2038

OTHER PUBLICATIONS

Plus Packaging. 24 Oz Round Microwaveable Containers Combo Pack. Publication date unavailable. Visited Dec. 28, 2021. <https://paperpluspackaging.com/products/copy-of-16-oz-round-microwaveable-containers-combo-pack-black-718whmb-150ct> (Year: 0).*

Amazon. Plastic Microwavable Food Containers Bowls for meal prepping with Lids. First available Jul. 14, 2018. Visited Dec. 28, 2021. https://www.amazon.com/Microwavable-Containers-prepping-BPA-Free-Dishwasher/dp/B079TF48?ref_=ast_sto_dp&th=1 (Year: 2018).*

* cited by examiner

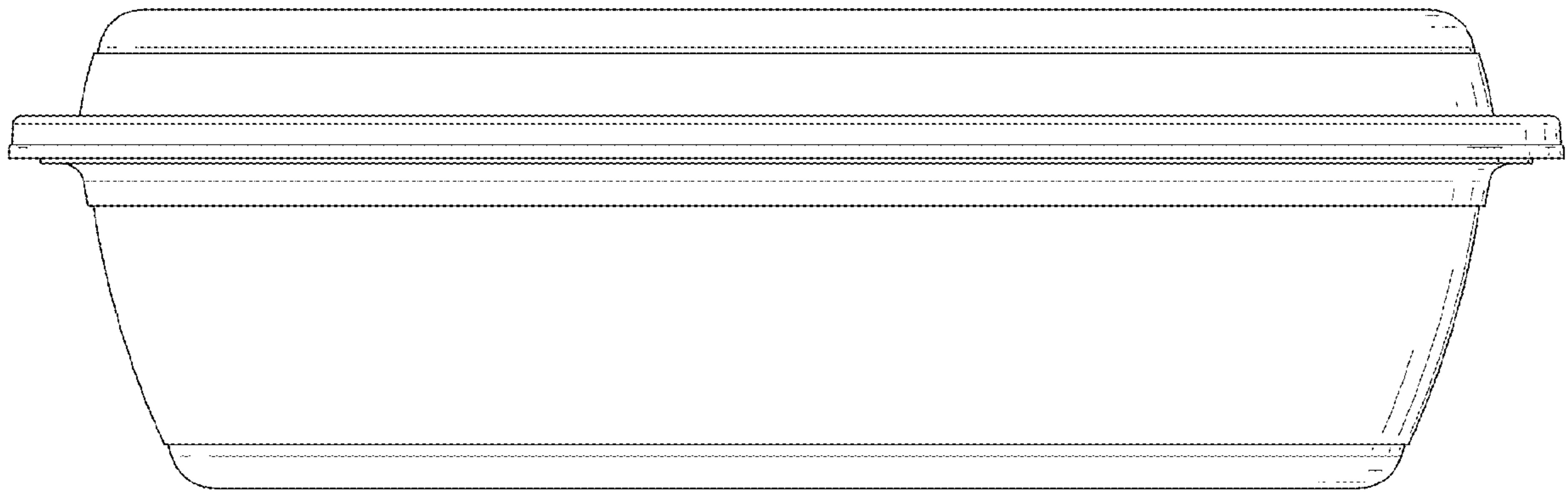


FIG. 1

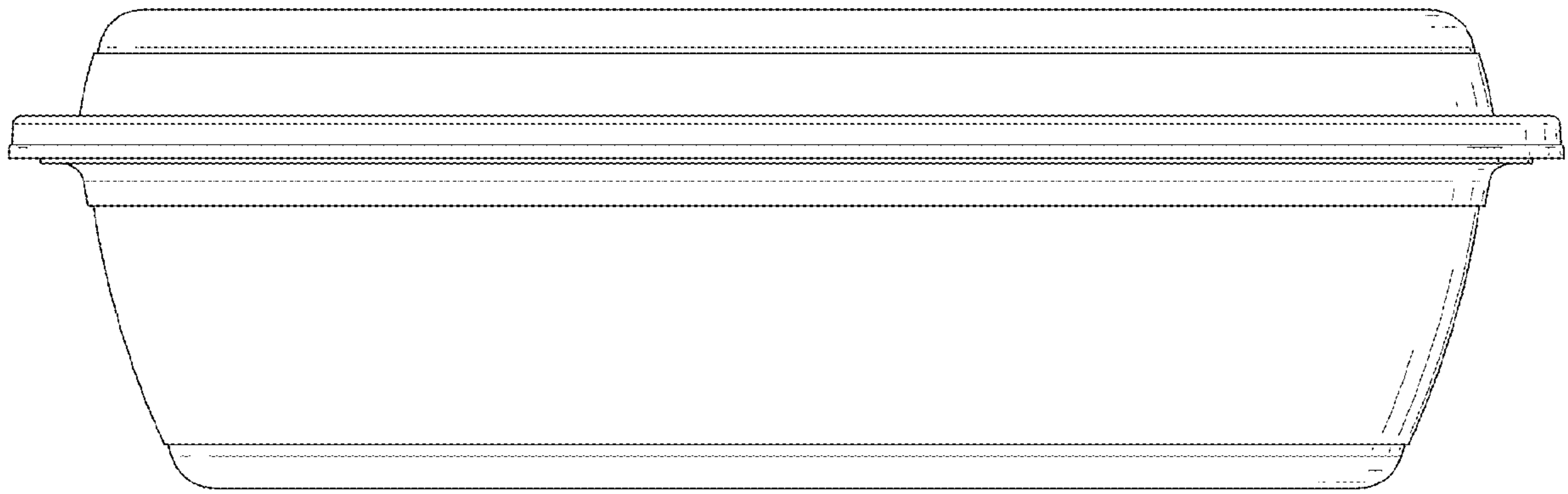


FIG. 2

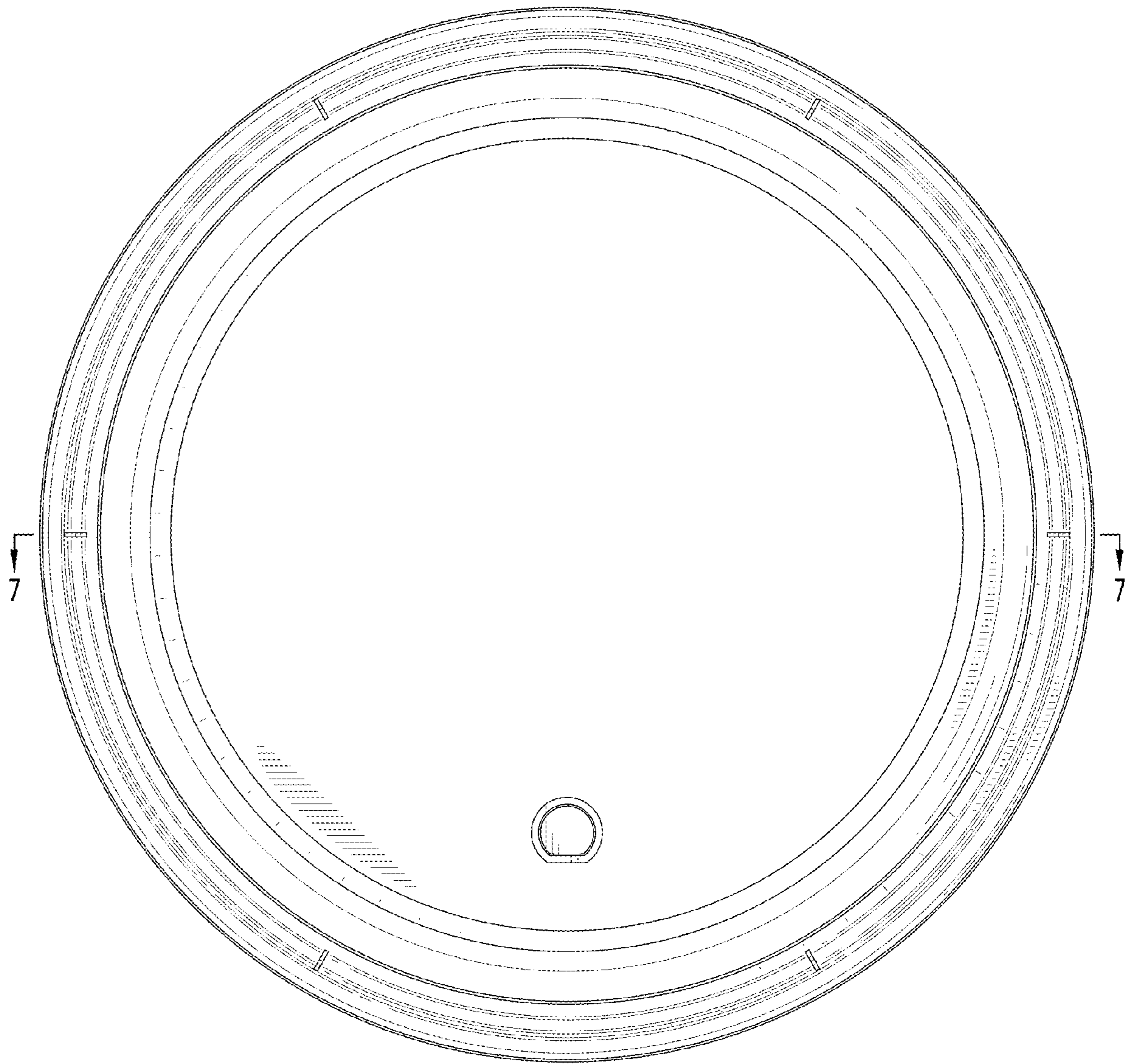


FIG. 3

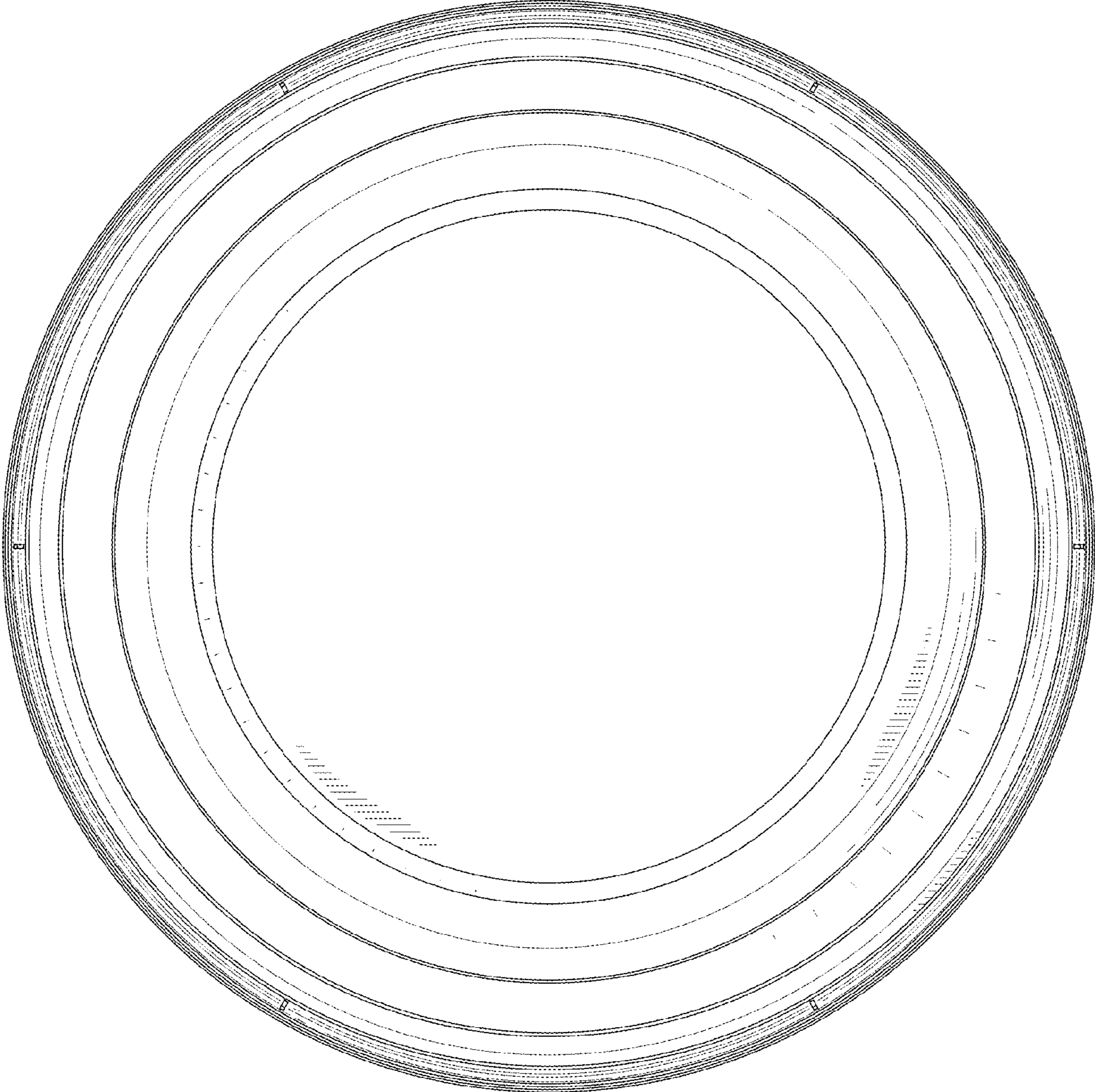


FIG. 4

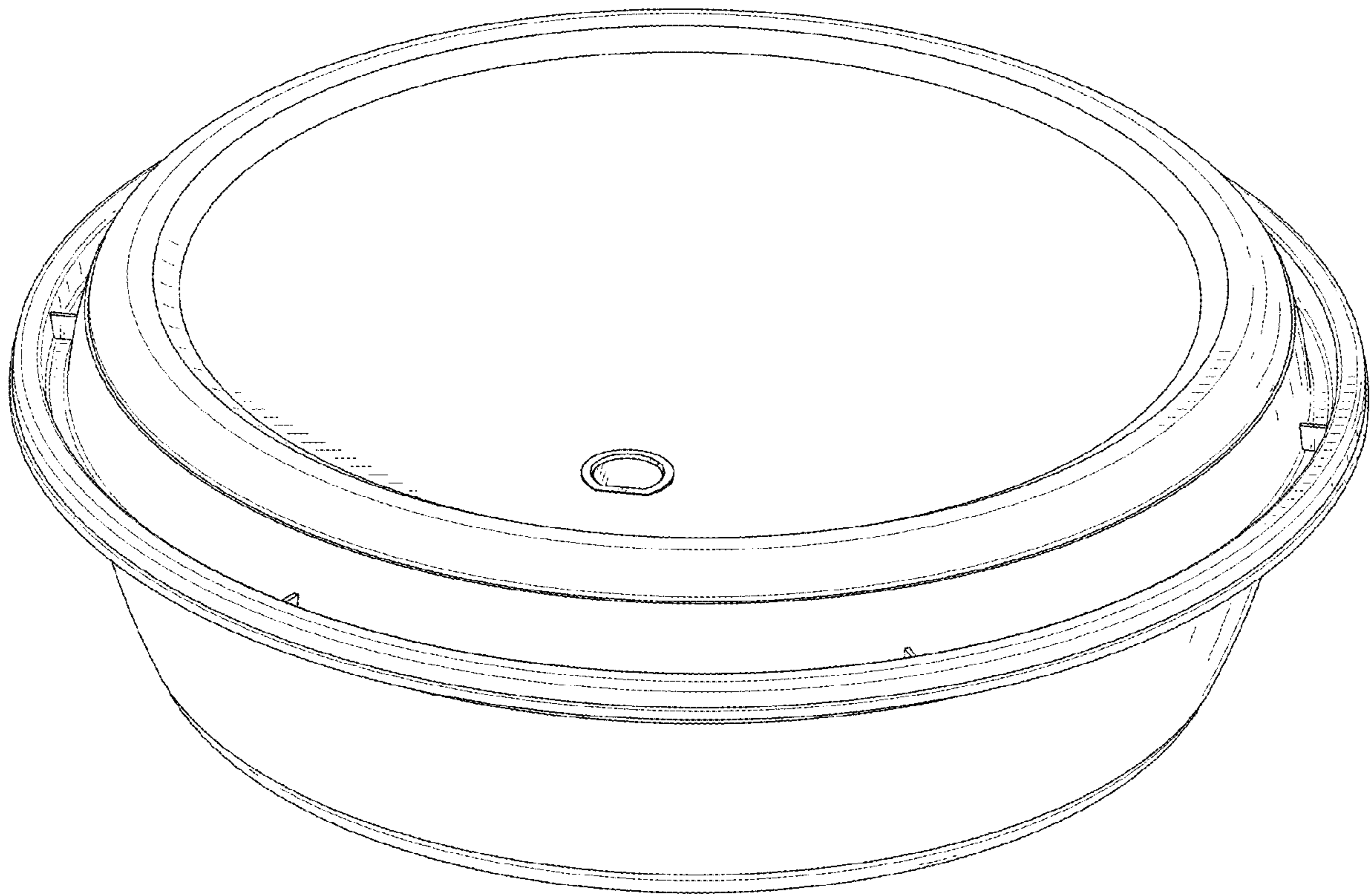


FIG. 5

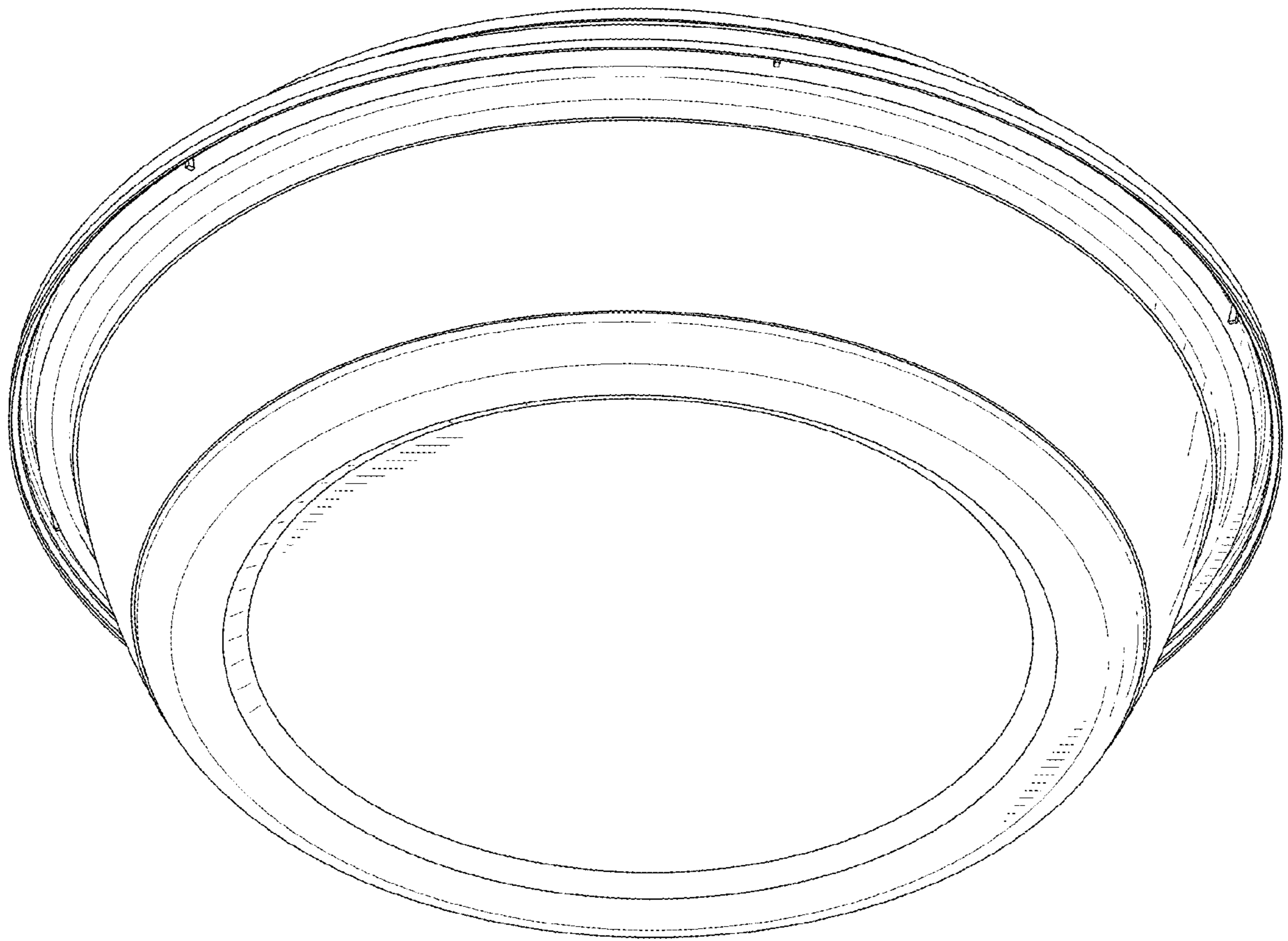


FIG. 6



FIG. 7

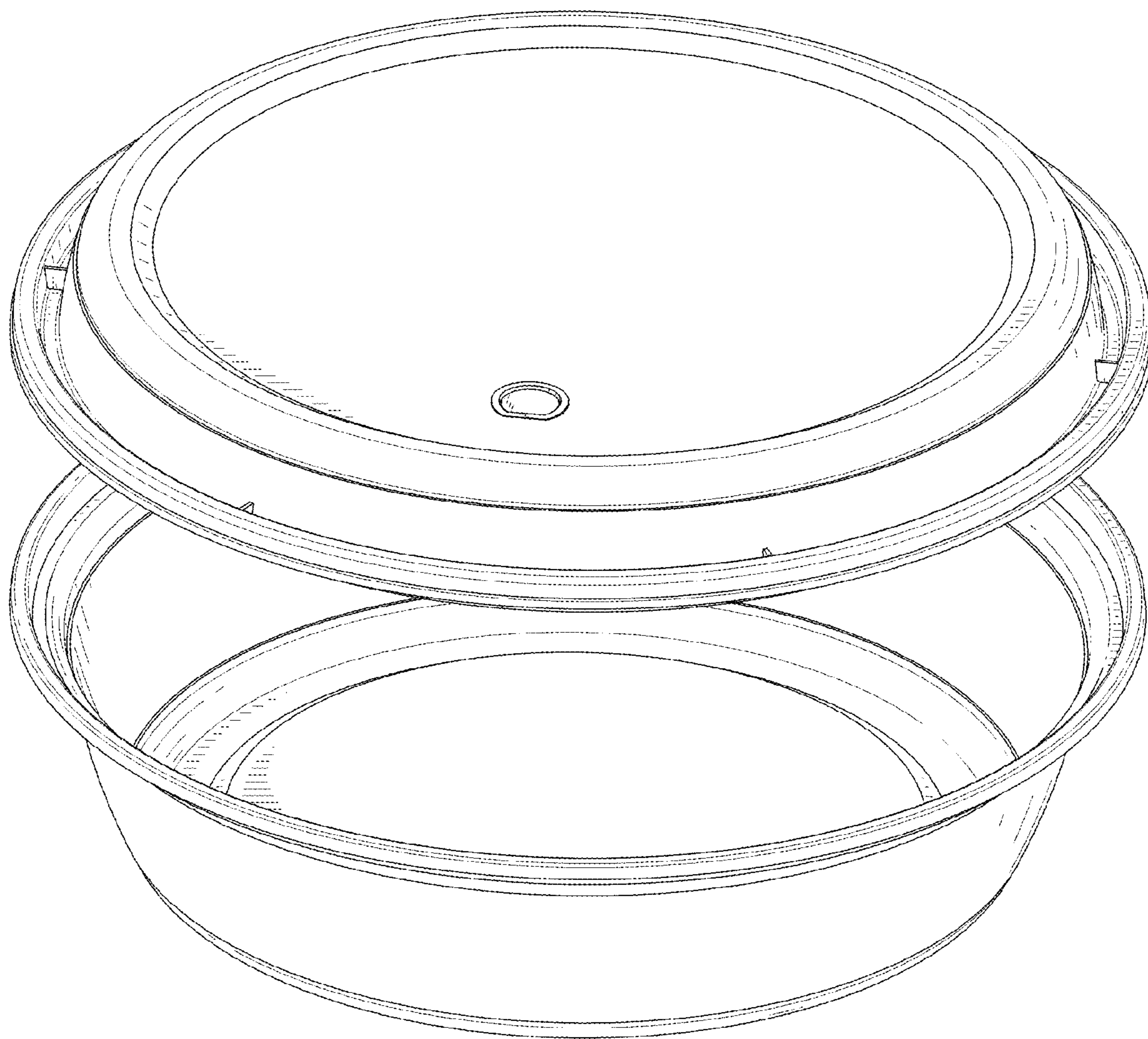


FIG. 8

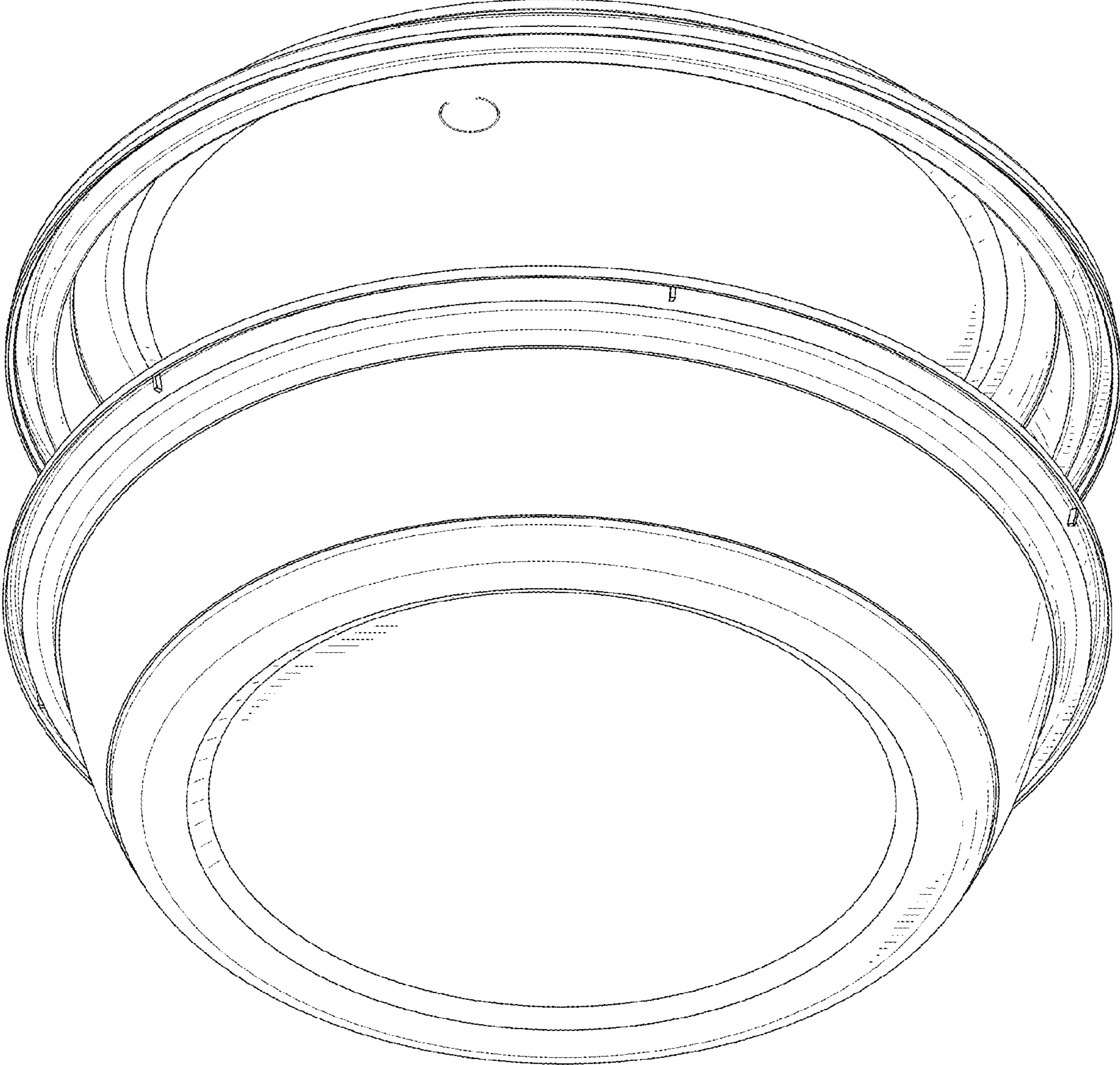


FIG. 9