



US00D944637S

(12) **United States Design Patent**
Coverstone et al.

(10) **Patent No.:** **US D944,637 S**

(45) **Date of Patent:** **** Mar. 1, 2022**

(54) **PACKAGING BOX**

(71) Applicant: **STAR CO Scientific Technologies
Advanced Research Co, LLC,**
Longview, TX (US)

(72) Inventors: **Thomas E. Coverstone,** Longview, TX
(US); **Jason Montgomery,** Longview,
TX (US); **Rachel Pollard,** Longview,
TX (US)

(73) Assignee: **STAR CO SCIENTIFIC
TECHNOLOGIES ADVANCED
RESEARCH CO DIRECT.COM,
L.L.C.,** Longview, TX (US)

(**) Term: **15 Years**

(21) Appl. No.: **29/703,452**

(22) Filed: **Aug. 27, 2019**

(51) **LOC (13) Cl.** **09-03**

(52) **U.S. Cl.**
USPC **D9/414**

(58) **Field of Classification Search**

USPC D9/199, 414-434, 437, 443, 445, 449,
D9/450, 453, 457, 499, 454, 703, 704,
D9/705, 707, 708, 709, 710, 711, 712,
D9/713, 715, 722, 738, 500, 501;
D7/590, 601, 612; D19/91
CPC .. B65D 5/4204; B65D 5/5007; B65D 5/5206;
B65D 1/00; B65D 1/22; B65D 1/225;
B65D 5/00; B65D 5/18; B65D 5/20;
B65D 5/42; B65D 5/061; B65D 5/008;
B65D 5/422; B65D 5/4225; B65D 25/54;
B65D 33/04; B65D 33/14; A47F 7/03;
A47F 7/145; B42D 15/02; A45D 40/221

See application file for complete search history.

(56) **References Cited**

U.S. PATENT DOCUMENTS

1,431,133	A *	10/1922	Young	B65D 5/5206 206/45.23
2,638,210	A *	5/1953	Sparks	B65D 5/5038 206/777
2,675,911	A *	4/1954	Thurston	A47F 7/03 206/754
D652,321	S *	1/2012	Melnick	D9/721
D681,444	S *	5/2013	Oja	D9/418
D689,360	S *	9/2013	Adams	D9/418
D702,546	S *	4/2014	McAdam	D9/418
8,936,158	B2 *	1/2015	Salow	B65D 77/0433 206/758

(Continued)

Primary Examiner — Mehri F Bajoul

(74) *Attorney, Agent, or Firm* — McAndrews, Held & Malloy, Ltd.

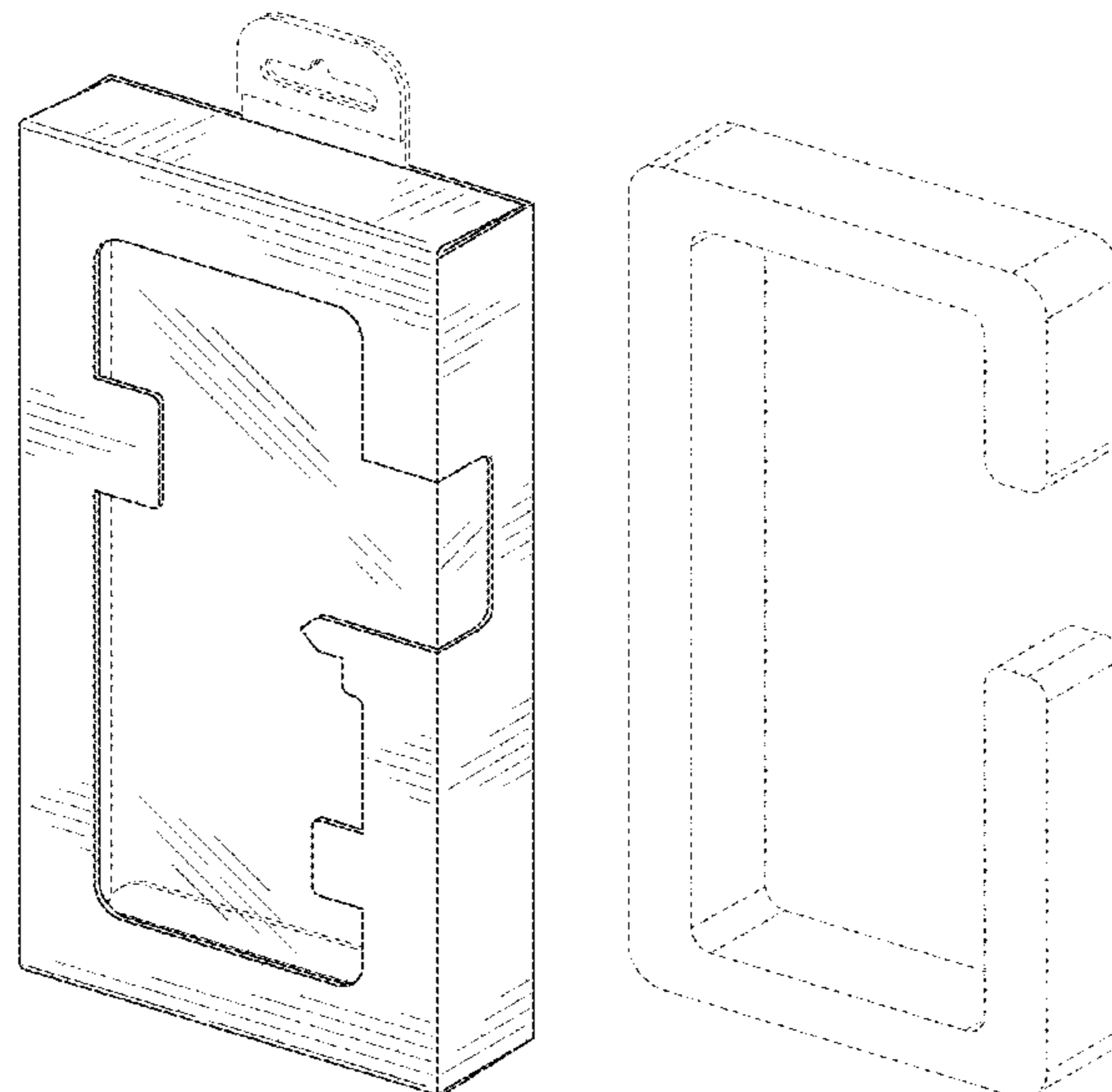
(57) **CLAIM**

The ornamental design for a packaging box, as shown and described.

DESCRIPTION

FIG. 1 is an exploded front perspective view of a packaging box showing our new design with a tray that forms no part of the claimed design to show environment; FIG. 2 is an exploded front elevation view thereof; FIG. 3 is an exploded rear elevation view thereof; FIG. 4 is an exploded right side elevation view thereof; FIG. 5 is an exploded left side elevation view thereof; FIG. 6 is an exploded top plan view thereof; FIG. 7 is an exploded bottom plan view thereof; and, FIG. 8 is a front perspective view thereof, in which the packaging box is shown separately for ease of illustration. The tray shown in evenly dash-dash line illustrates environmental structure and forms no part of the claimed design. The remaining evenly dash-dash line depict portions of the packaging box that form no part of the claimed design. The long-short dash line in FIG. 3 illustrates a boundary line that forms no part of the claimed design.

1 Claim, 6 Drawing Sheets



(56)

References Cited

U.S. PATENT DOCUMENTS

D734,142	S *	7/2015	Lee	D9/415
D739,766	S *	9/2015	Glass	D9/705
D740,654	S *	10/2015	Boehnen	D9/418
D762,465	S *	8/2016	Popper	D9/415
D786,664	S *	5/2017	Lee	D9/418
D786,665	S *	5/2017	Lee	D9/418
D818,821	S *	5/2018	Su	D9/424
D822,480	S *	7/2018	Rivera	D9/418
D822,481	S *	7/2018	Rivera	D9/418
D830,199	S *	10/2018	Ogata	D9/734
D846,981	S *	4/2019	Sill	D9/418
D846,982	S *	4/2019	Horne	D9/418
D855,453	S *	8/2019	Meyer	D9/418
D885,883	S *	6/2020	Hagee	D9/418
D887,834	S *	6/2020	Moore	D9/432
2007/0251983	A1 *	11/2007	Freeze	B65D 5/38
					229/125.125
2009/0236351	A1 *	9/2009	Chu	B65D 25/22
					220/751

* cited by examiner

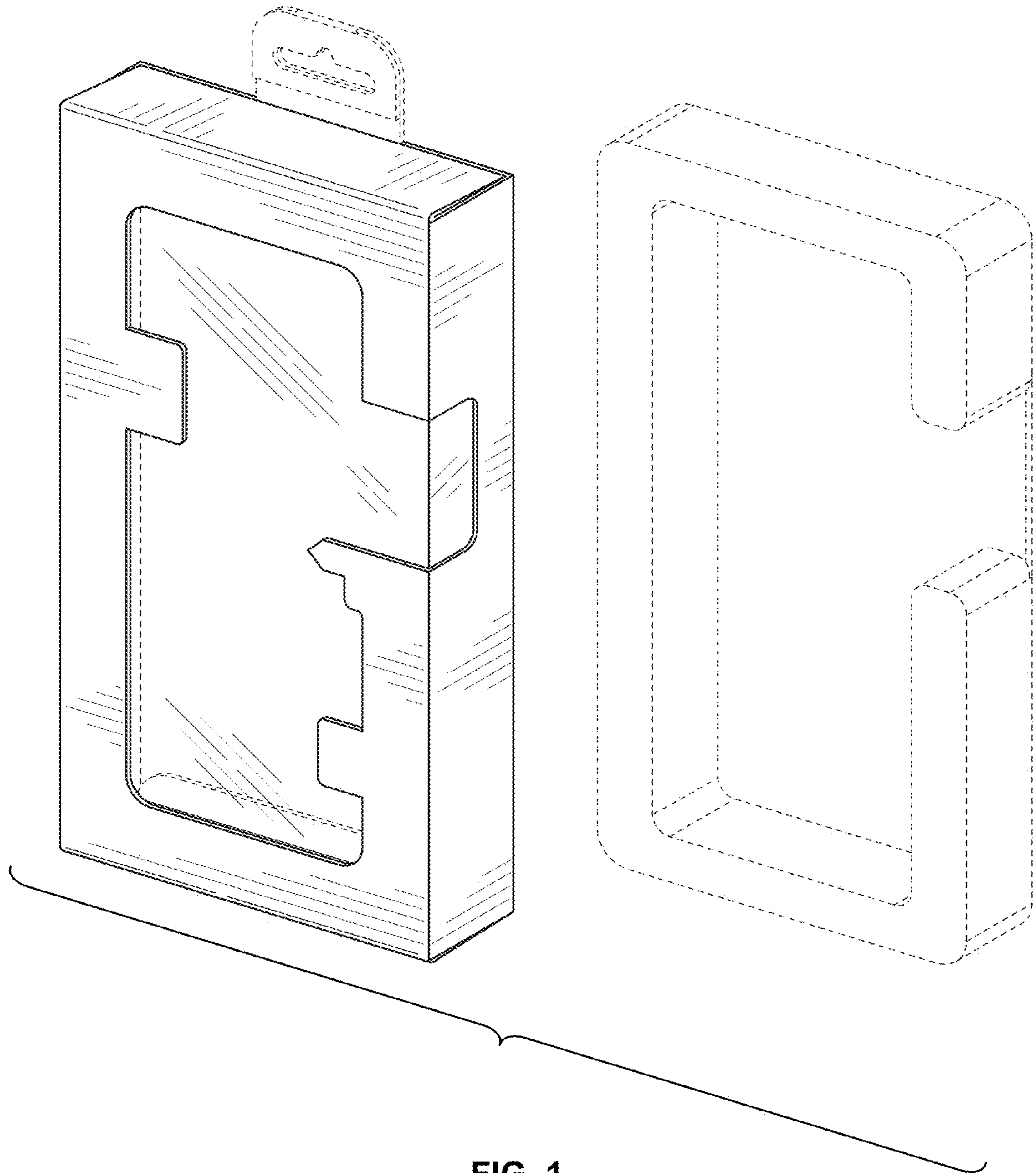


FIG. 1

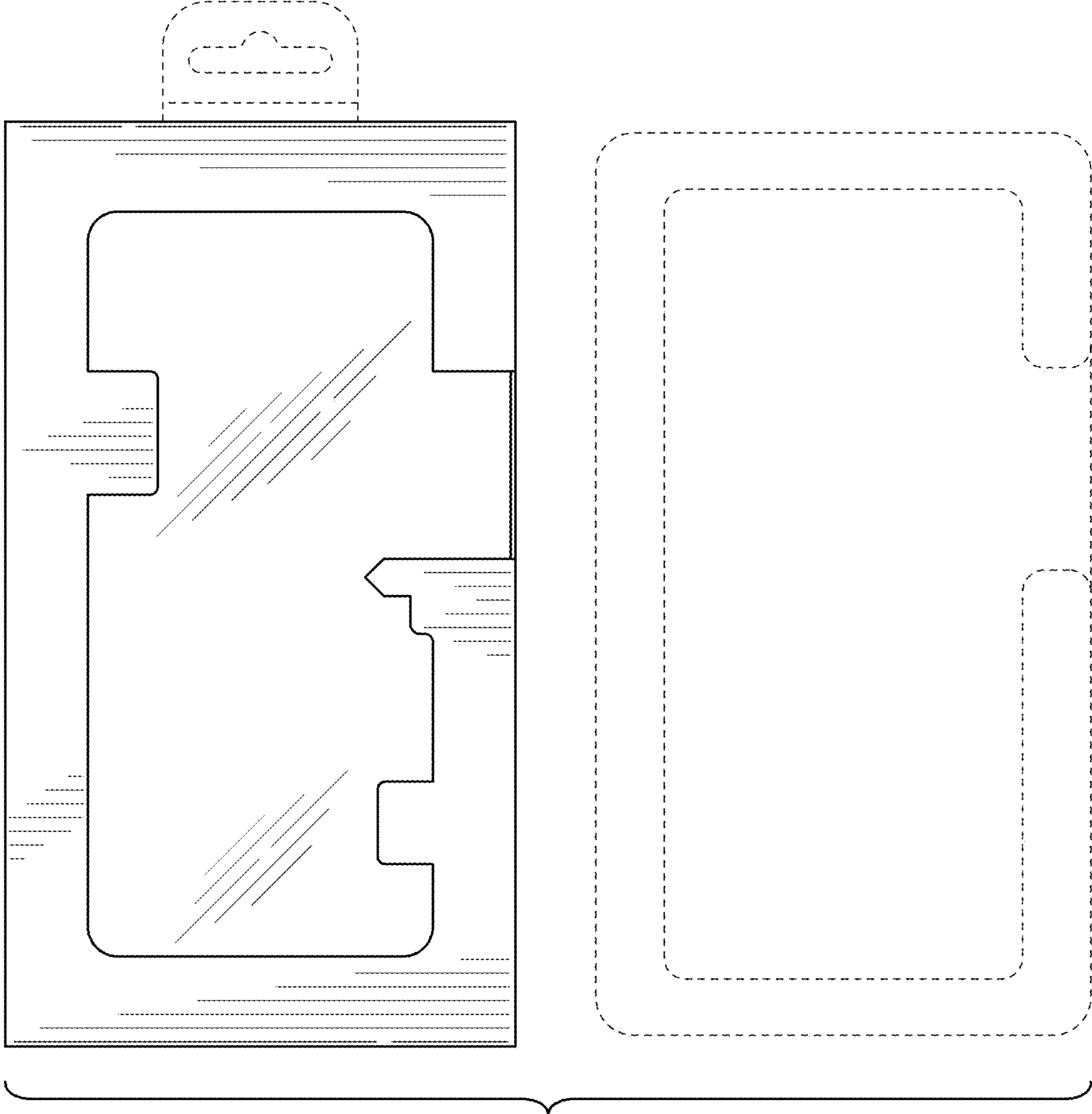


FIG. 2

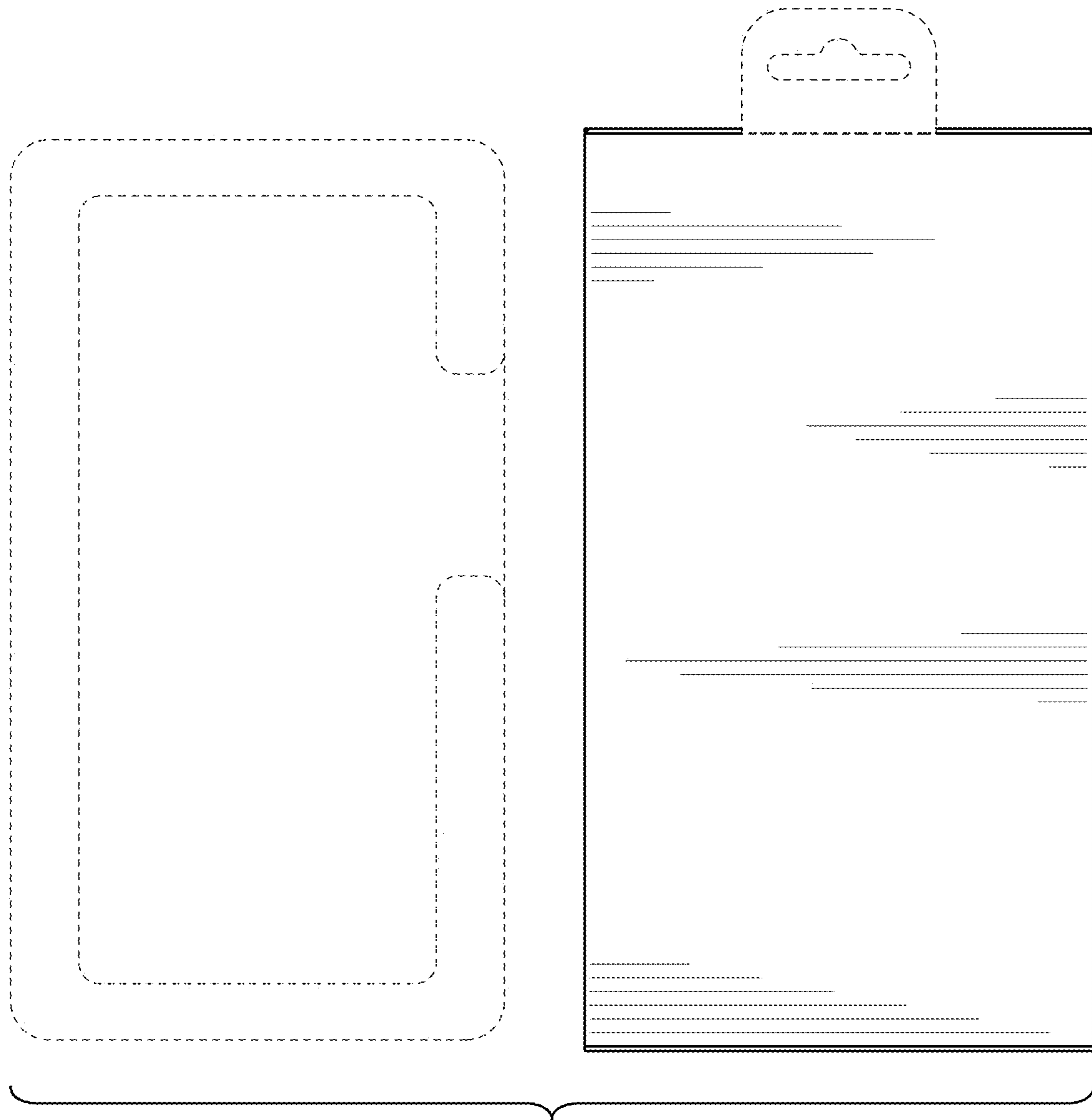


FIG. 3

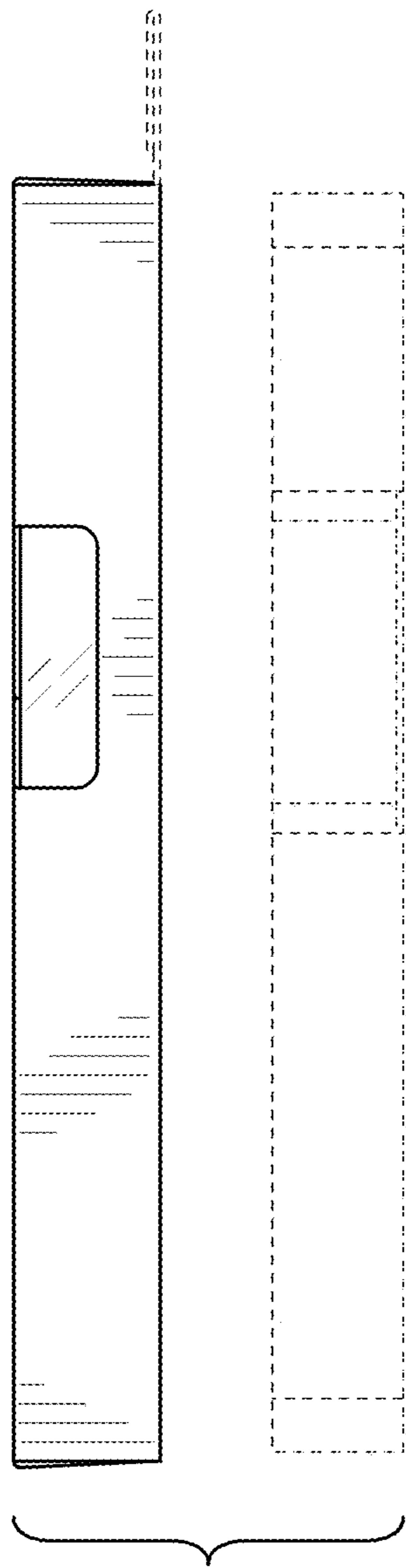


FIG. 4

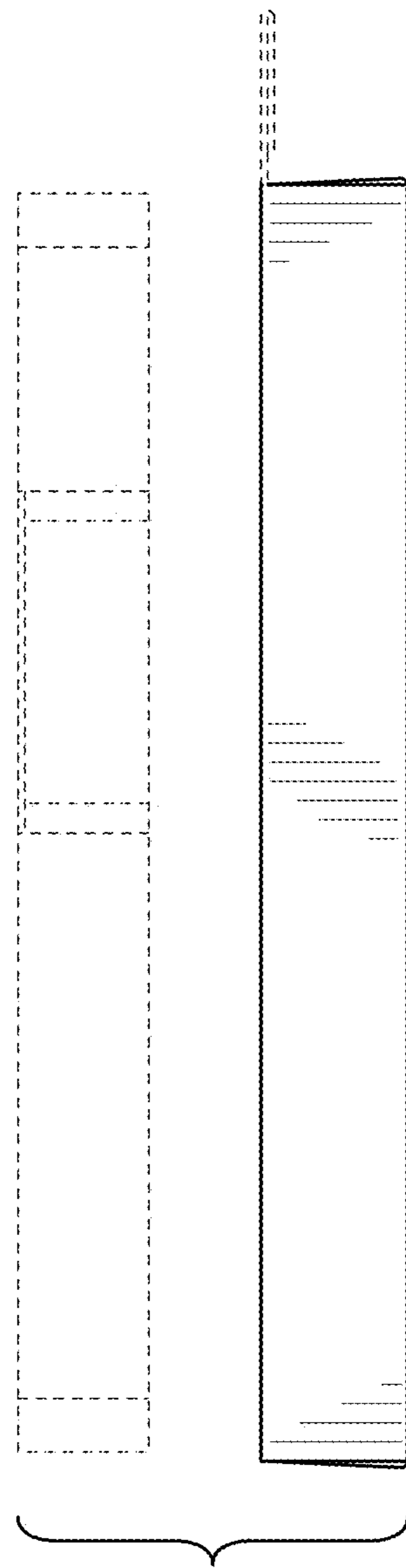


FIG. 5

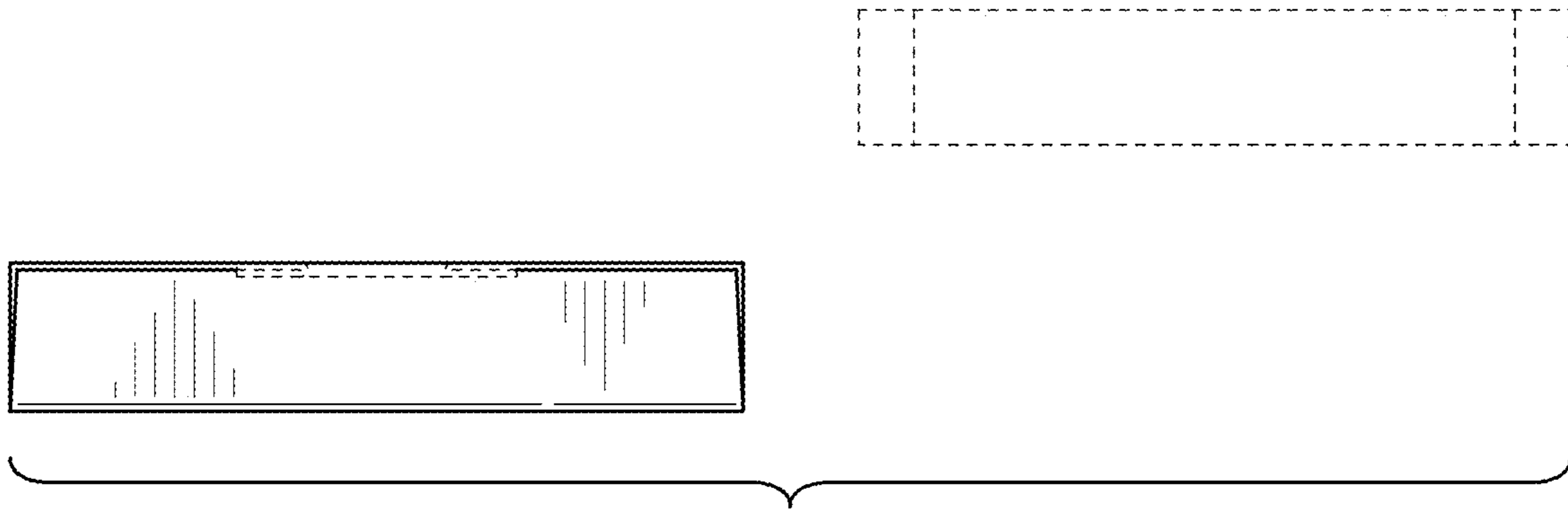


FIG. 6

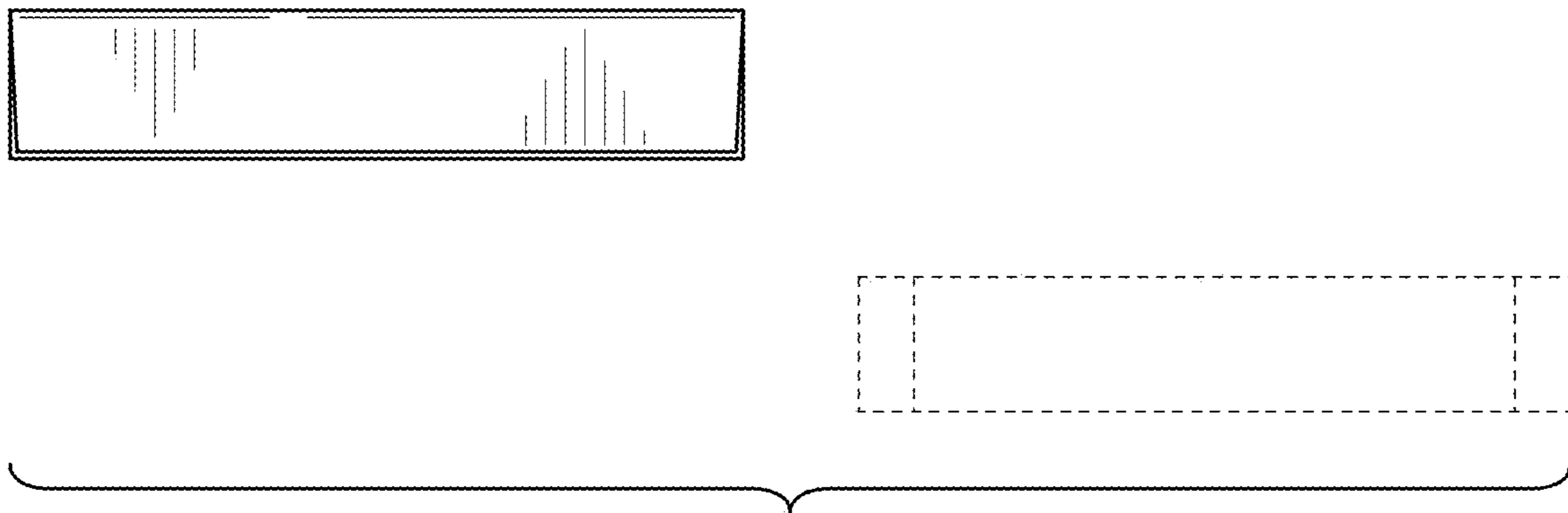


FIG. 7

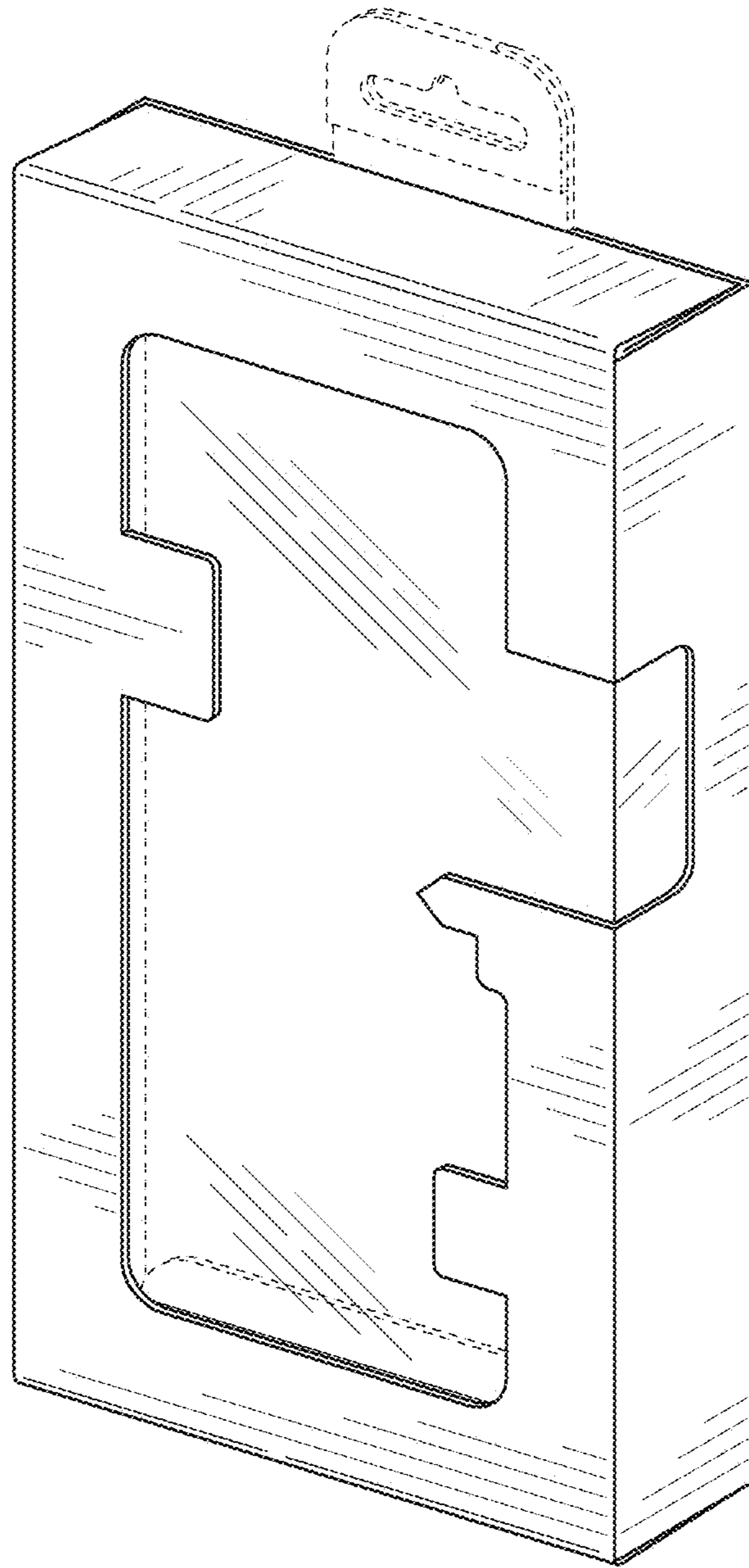


FIG. 8