



US00D944636S

(12) **United States Design Patent**
Klug

(10) **Patent No.:** **US D944,636 S**

(45) **Date of Patent:** **** Mar. 1, 2022**

(54) **HANDS-FREE DOOR OPENER**

(71) Applicant: **Jason Charles Klug**, Salt Lake City,
UT (US)

(72) Inventor: **Jason Charles Klug**, Salt Lake City,
UT (US)

(**) Term: **15 Years**

(21) Appl. No.: **29/733,431**

(22) Filed: **May 1, 2020**

(51) **LOC (13) Cl.** **08-09**

(52) **U.S. Cl.**
USPC **D8/400; D8/319**

(58) **Field of Classification Search**
USPC D8/315, 316, 317, 318, 319, 320;
D6/549; 15/235.5

CPC B25G 3/00
See application file for complete search history.

(56) **References Cited**

U.S. PATENT DOCUMENTS

D298,797 S	*	12/1988	White	D8/319
D353,697 S	*	12/1994	Breen	D34/10
D467,784 S	*	12/2002	Maier	D8/301
D467,785 S	*	12/2002	Tsai	D8/319
D470,389 S	*	2/2003	Richardson	D8/319

D551,534 S	*	9/2007	Liang	D8/301
D718,605 S	*	12/2014	Yang	D8/315
D812,929 S	*	3/2018	Garland	D6/549
D862,653 S	*	10/2019	Wieser	D23/240

* cited by examiner

Primary Examiner — Keli L Hill

Assistant Examiner — Harold E Blackwell, II

(74) *Attorney, Agent, or Firm* — David A. Jones; Nadesan Beck P.C.

(57) **CLAIM**

The ornamental design for a hands-free door opener, as shown and described.

DESCRIPTION

FIG. 1 is a front-top perspective view of the hands-free door opener showing my new design;

FIG. 2 is a front elevation view thereof;

FIG. 3 is a left side view thereof, a right view thereof being identical to the left;

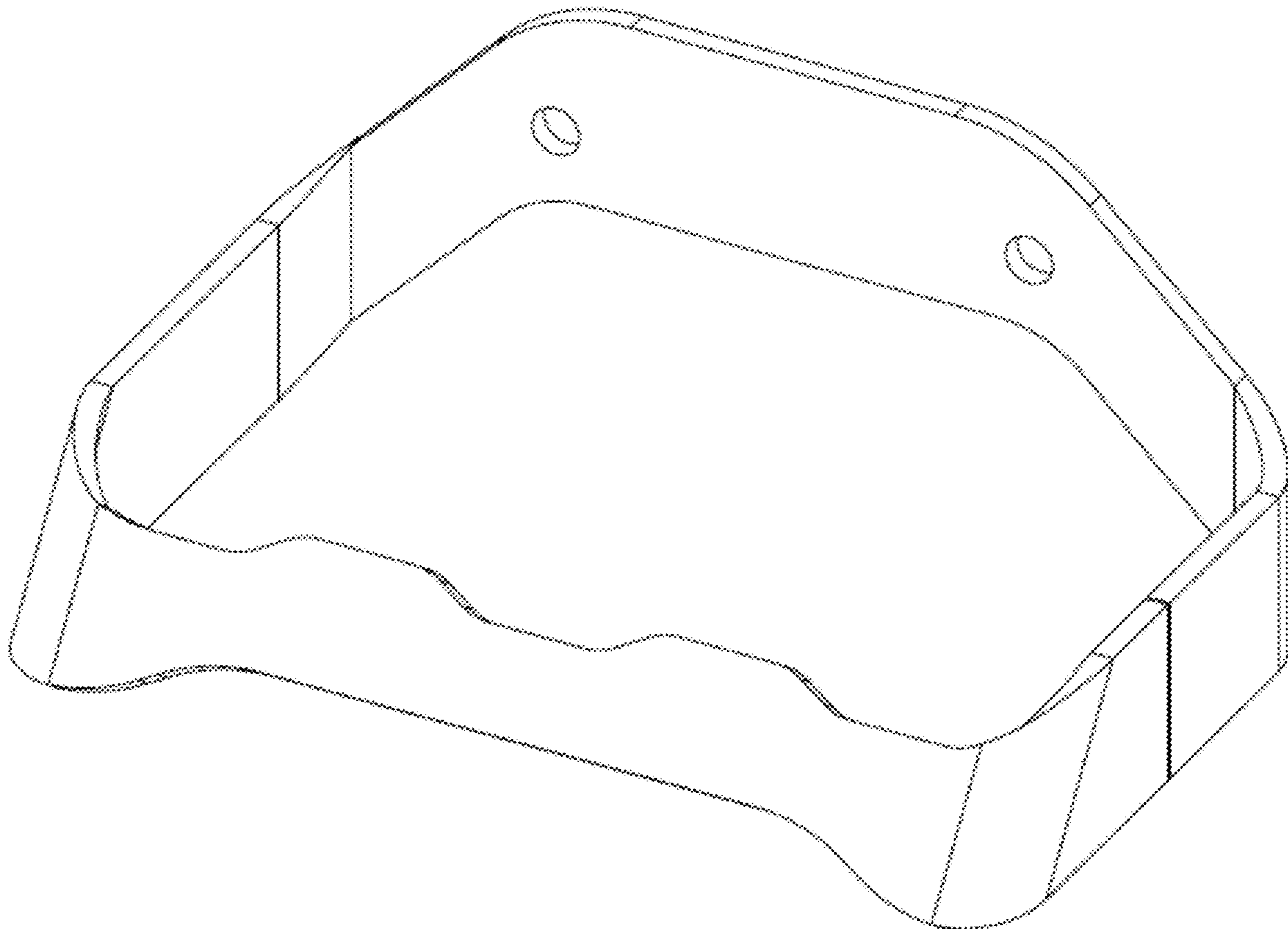
FIG. 4 is a rear view thereof;

FIG. 5 is a top side view thereof;

FIG. 6 is a bottom view thereof; and,

FIG. 7 is a rear-bottom perspective view thereof.

1 Claim, 7 Drawing Sheets



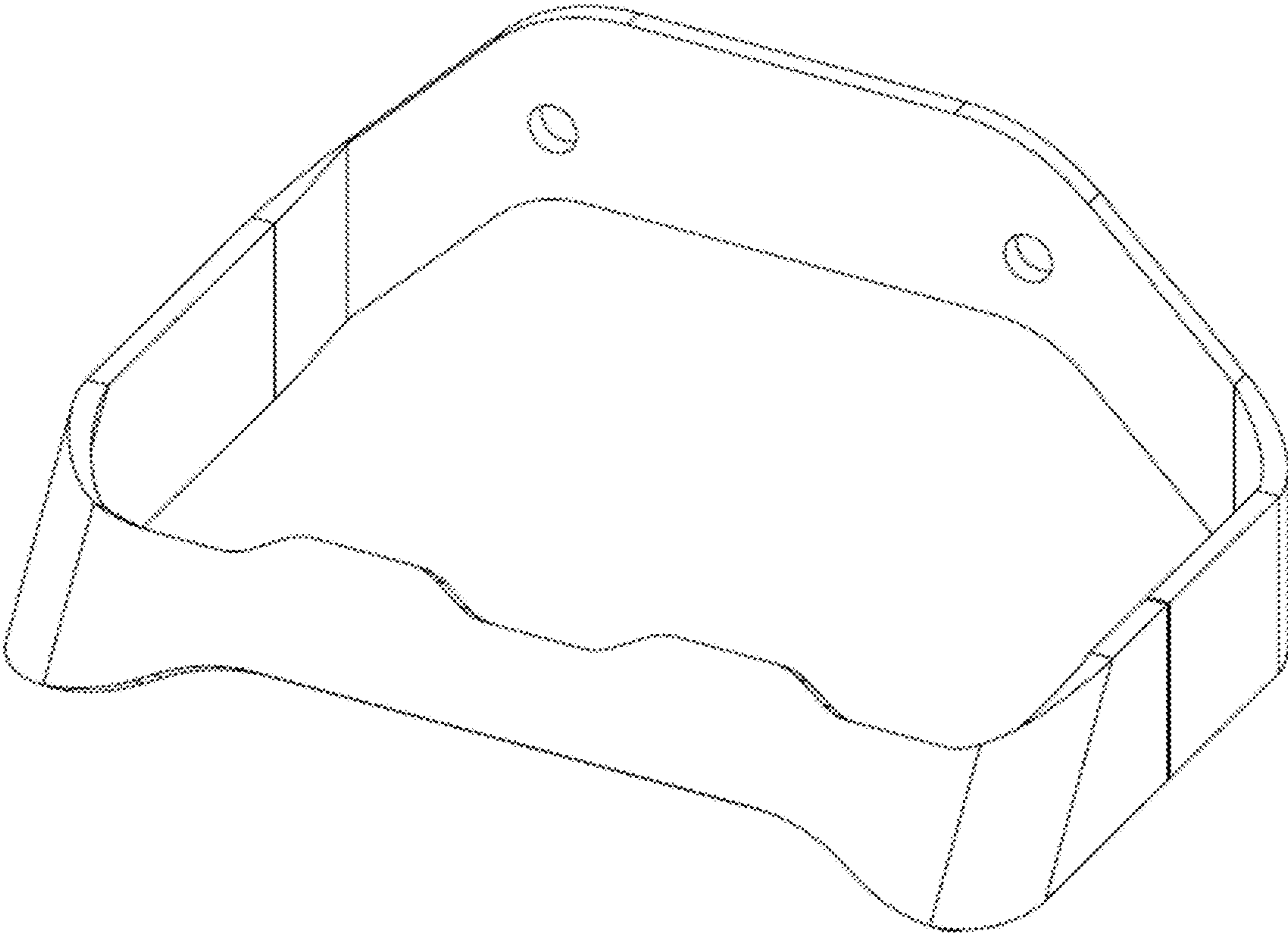


FIG. 1

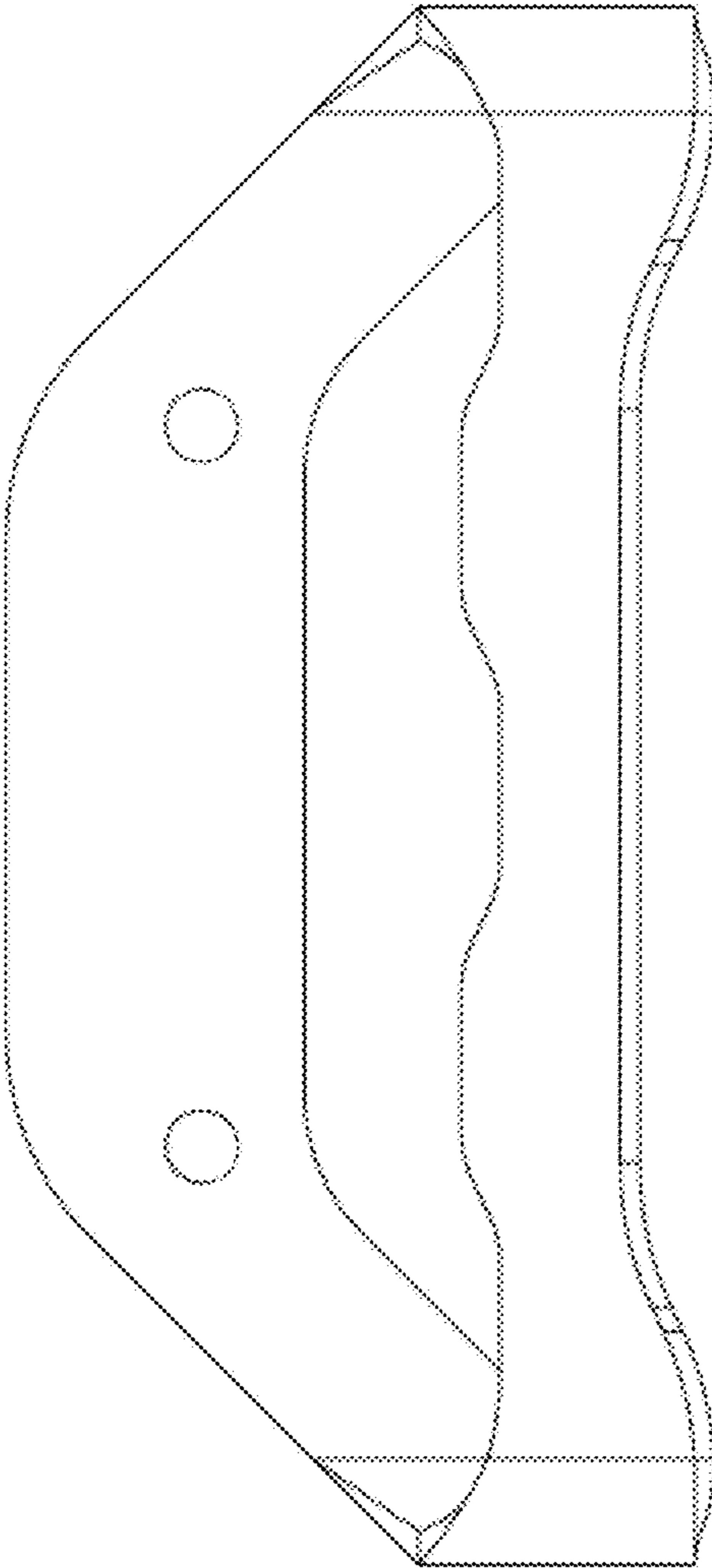


FIG. 2

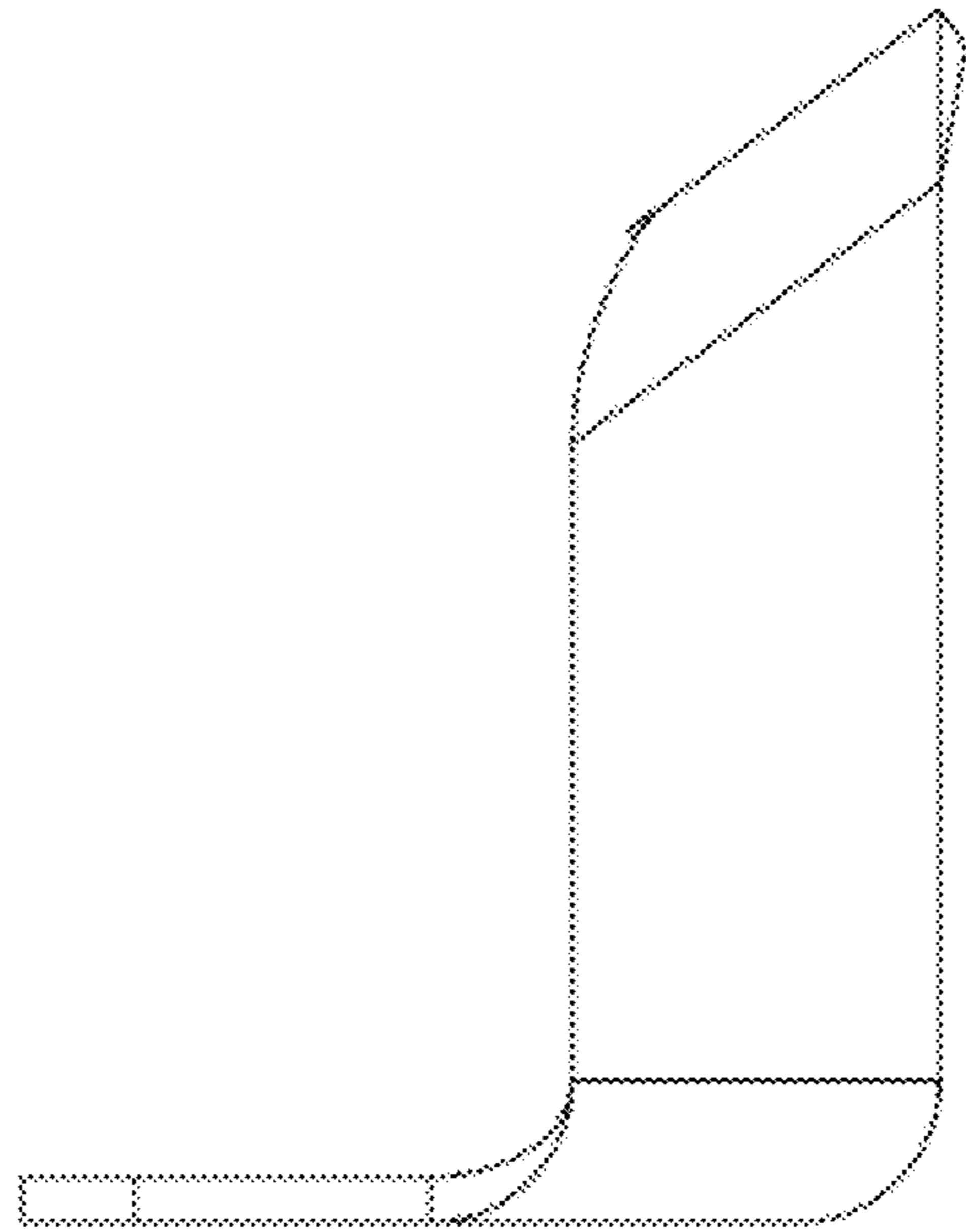


FIG. 3

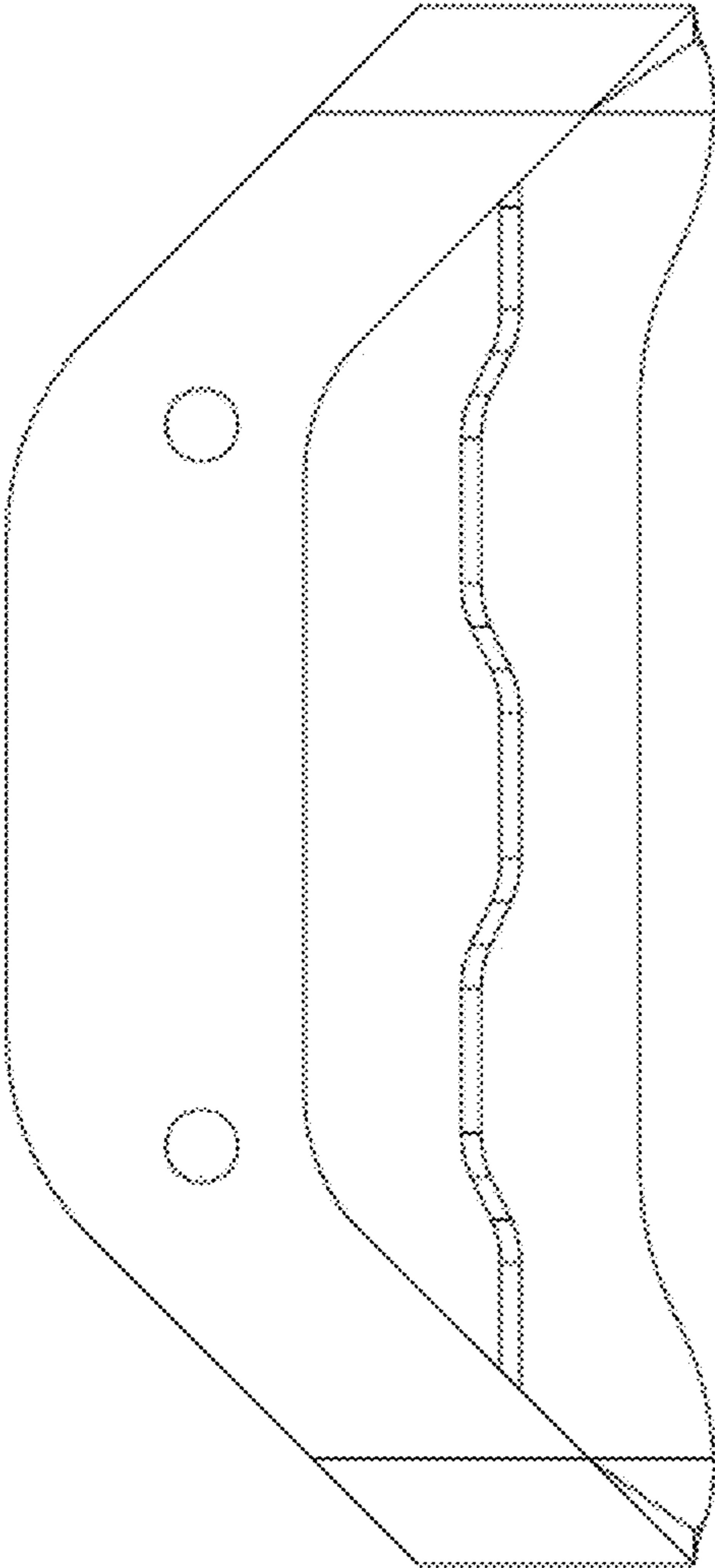


FIG. 4

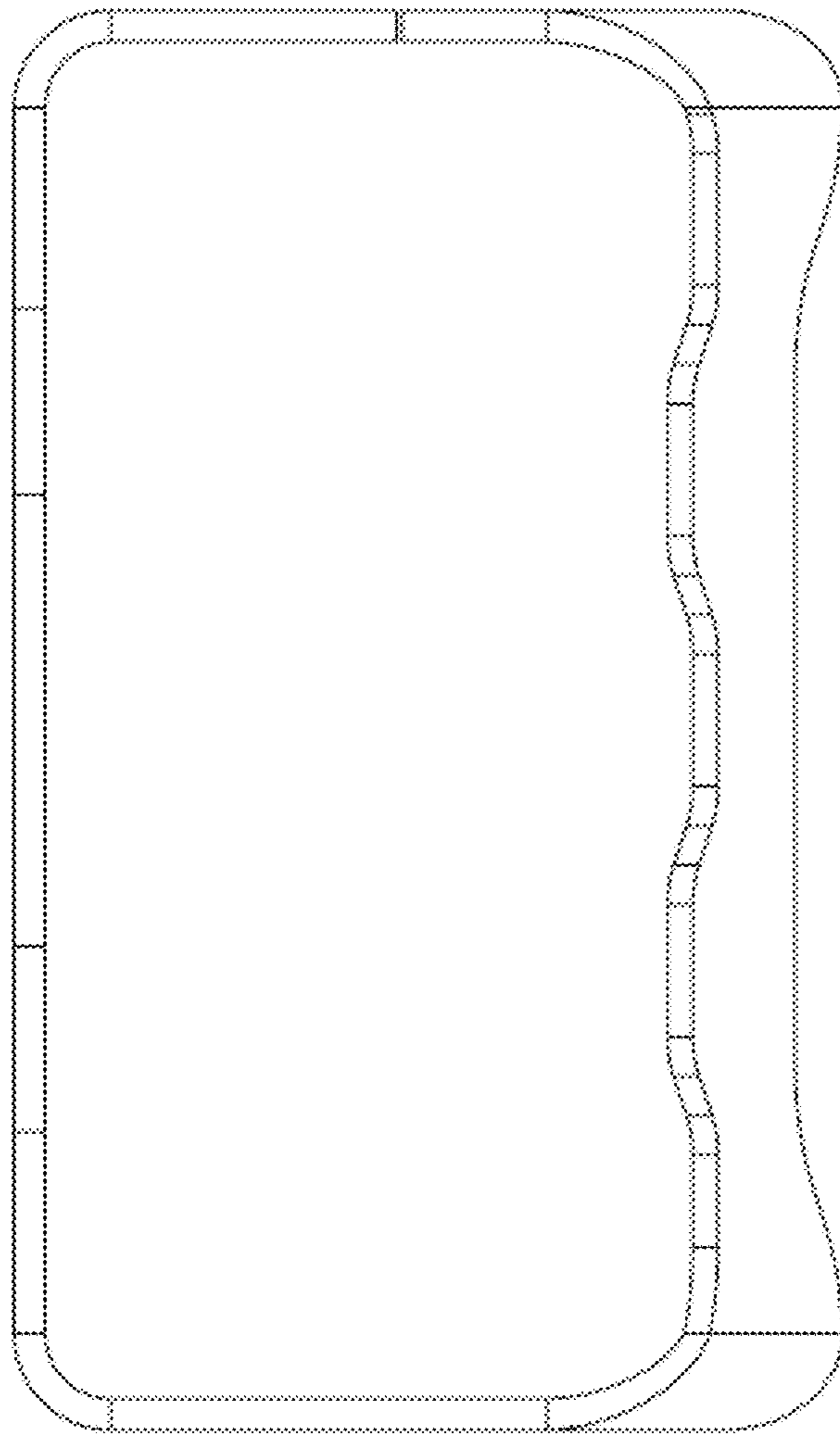


FIG. 5

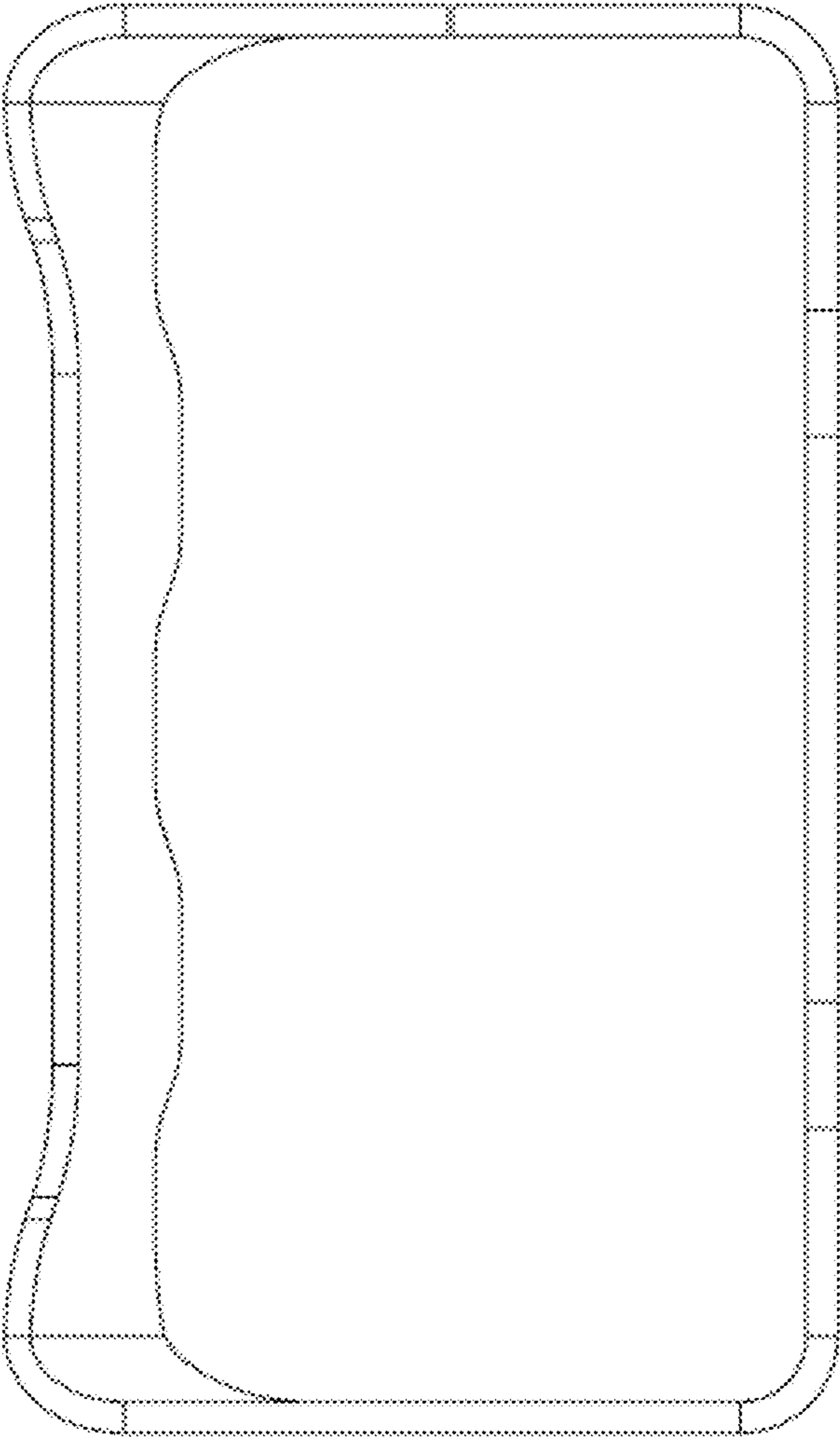


FIG. 6

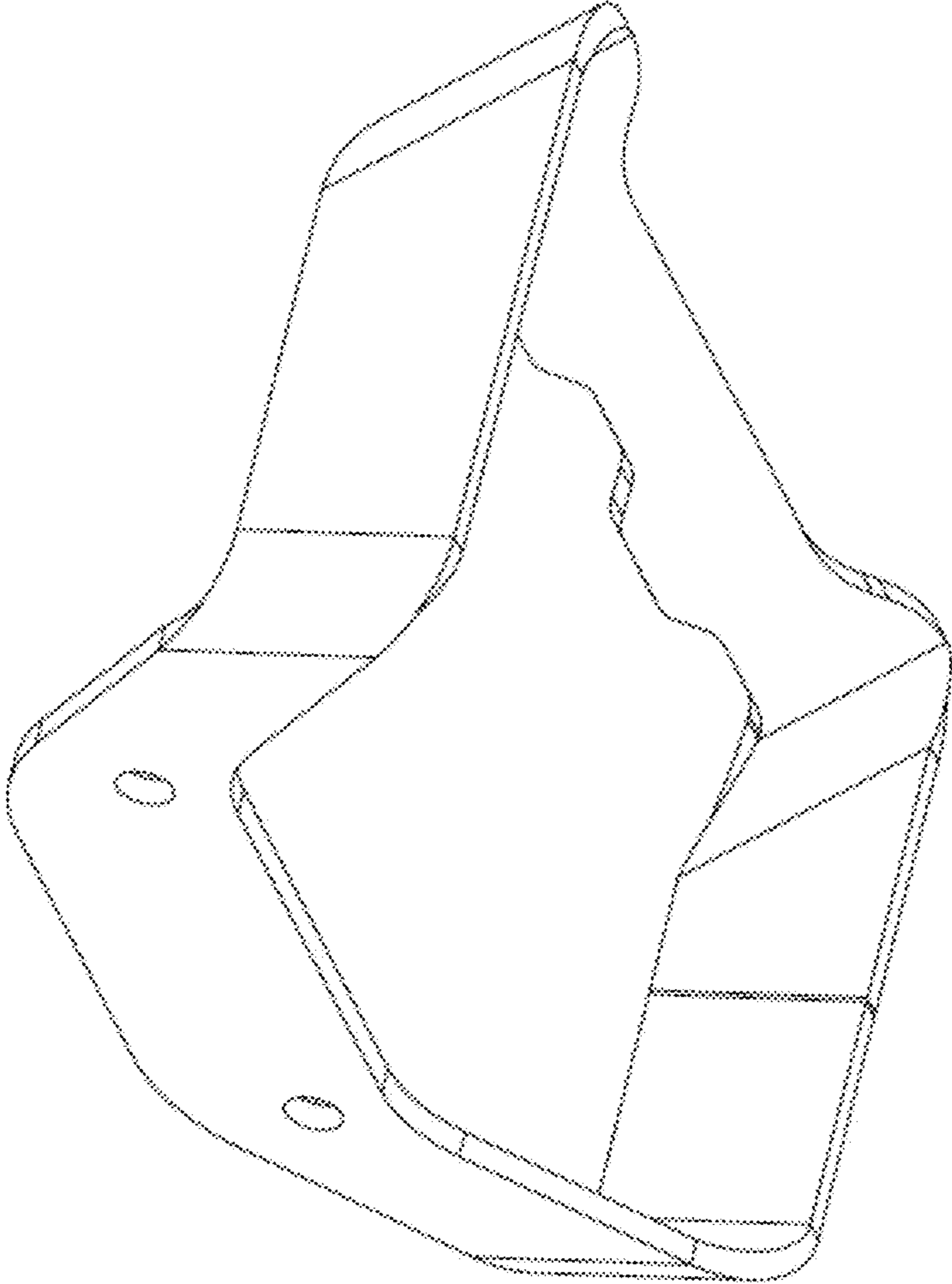


FIG. 7