



US00D944635S

(12) **United States Design Patent** (10) **Patent No.:** **US D944,635 S**
Wang et al. (45) **Date of Patent:** **** Mar. 1, 2022**

(54) **FIXING DEVICE FOR WINDOWS AND DOORS**
(71) Applicant: **Ningbo Eudemon Child Protective Equipment Co., Ltd., Zhejiang (CN)**
(72) Inventors: **Zhangjun Wang, Zhejiang (CN); Binhui Li, Zhejiang (CN)**
(**) Term: **15 Years**

D481,614 S * 11/2003 Onel E05C 19/186
D8/331
D559,096 S * 1/2008 Hori D8/400
D559,097 S * 1/2008 Hori D8/400
D721,953 S * 2/2015 Hasegawa D8/402
D750,952 S * 3/2016 Herzog D8/330
D795,673 S * 8/2017 Rittman D8/339
D804,930 S * 12/2017 Heitz D8/330
D839,087 S * 1/2019 Dosch D8/402
D889,933 S * 7/2020 Marsden D8/339
D890,596 S * 7/2020 Piggott D8/331
D891,242 S * 7/2020 McGregor D8/400

(Continued)

(21) Appl. No.: **29/691,332**

(22) Filed: **May 15, 2019**

(30) **Foreign Application Priority Data**

Nov. 16, 2018 (CN) 201830652226.9

(51) **LOC (13) Cl.** **08-09**

(52) **U.S. Cl.**
USPC **D8/400**

(58) **Field of Classification Search**
USPC D8/330-331, 336-339, 341, 343,
D8/400-403, 358, 383, 499, 300,
D8/315-316, 319-320, 356, 354
CPC F16B 12/22; F16B 12/24; E05C 17/54;
E05C 19/184; E05F 11/02; E06B 1/524;
Y10S 292/15; Y10T 292/71
See application file for complete search history.

(56) **References Cited**

U.S. PATENT DOCUMENTS

4,136,899 A * 1/1979 Frasher E05C 19/004
292/338
4,456,291 A * 6/1984 Brogie E05C 19/004
292/338
5,618,072 A * 4/1997 Pitchford E05C 19/004
292/339
D459,983 S * 7/2002 Hayakawa D8/402
6,421,960 B1 * 7/2002 Manzella E05D 15/526
49/192

OTHER PUBLICATIONS

EUDEMON Window Lock Children, Date Visited: May 7, 2021, Amazon, Date Available: Sep. 19, 2019, <https://www.amazon.com/EUDEMON-Children-Protection-Restrictor-Prevention/product-reviews/B07WN17G7D> (Year: 2019).*

(Continued)

Primary Examiner — Susan Bennett Hattan

Assistant Examiner — Elizabeth S Ko

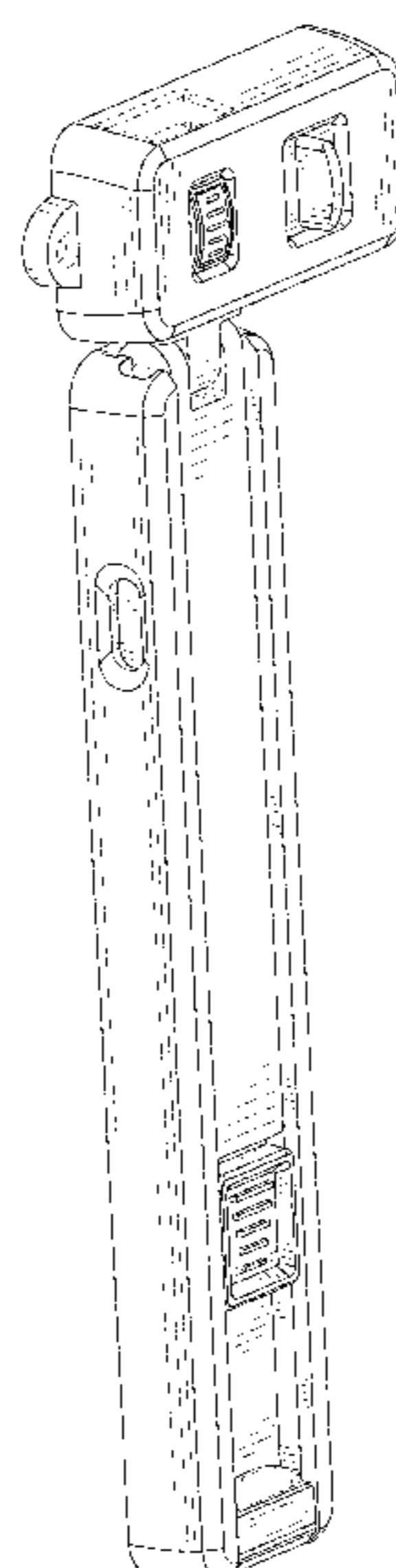
(57) **CLAIM**

The ornamental design for a fixing device for windows and doors, as shown and described.

DESCRIPTION

FIG. 1 is a Perspective view of a fixing device for windows and doors showing my new design;
FIG. 2 is a Front elevational view thereof;
FIG. 3 is a Rear elevational view thereof;
FIG. 4 is a Right side view thereof;
FIG. 5 is a Left side view thereof;
FIG. 6 is a Bottom plan view thereof; and,
FIG. 7 is a Top plan view thereof.
The broken lines in the drawing depict portions of the fixing device for windows and doors that form no part of the claimed design.

1 Claim, 7 Drawing Sheets



(56)

References Cited

U.S. PATENT DOCUMENTS

2005/0173934 A1* 8/2005 Neuman E06B 1/6092
292/264
2008/0271286 A1* 11/2008 Stalhammar E05C 17/203
16/84
2016/0186470 A1* 6/2016 Finley E05B 47/0012
292/339
2018/0119464 A1* 5/2018 Tiilikainen E05C 1/10
2018/0163453 A1* 6/2018 Attee B63B 19/14
2018/0216386 A1* 8/2018 Demir B60J 5/06
2019/0032372 A1* 1/2019 Andersen E05B 65/0014

OTHER PUBLICATIONS

BeeGo Window Restrictor Child Safety Locks, Date Visited: Apr. 21, 2021, Amazon, Date Available: Apr. 25, 2020, <https://www.amazon.co.uk/Restrictor-Aluminum-Adhesive-Drilling-Install/dp/B087PLHXMB> (Year: 2020).*

New Design Window Restrictor Child Safety, Date Visited: Jun. 4, 2021, Alibaba, Date Available: Jun. 4, 2021, https://myeudemon.en.alibaba.com/product/62072095460-209726082/New_Design_Window_restrictor_Child_Safety_Lock_for_Baby_Falling_Prevention.html?spm=a2700.shop_plgr.41413.26.46362f31wcwJsR (Year: 2021).*

* cited by examiner

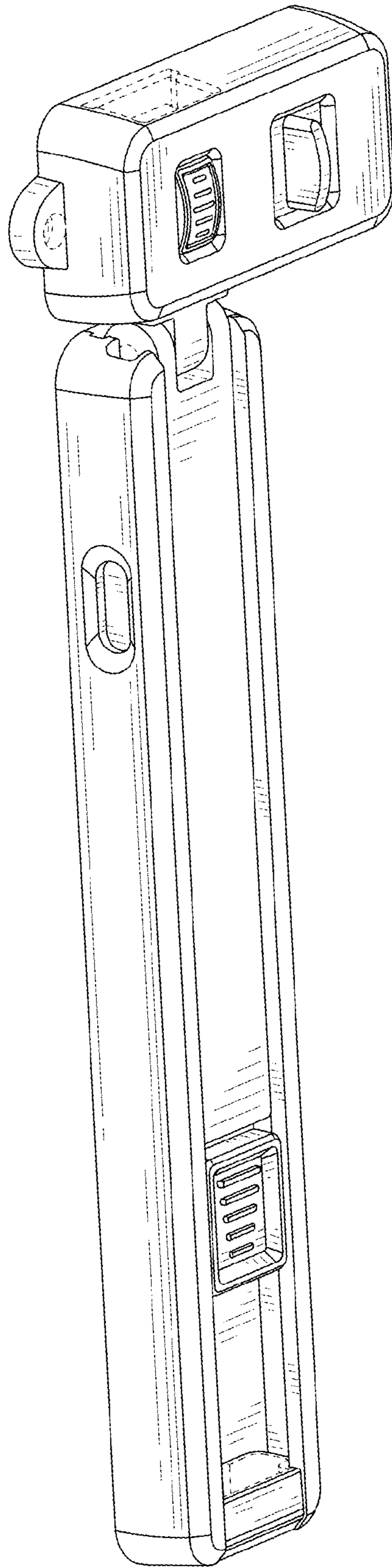


FIG. 1

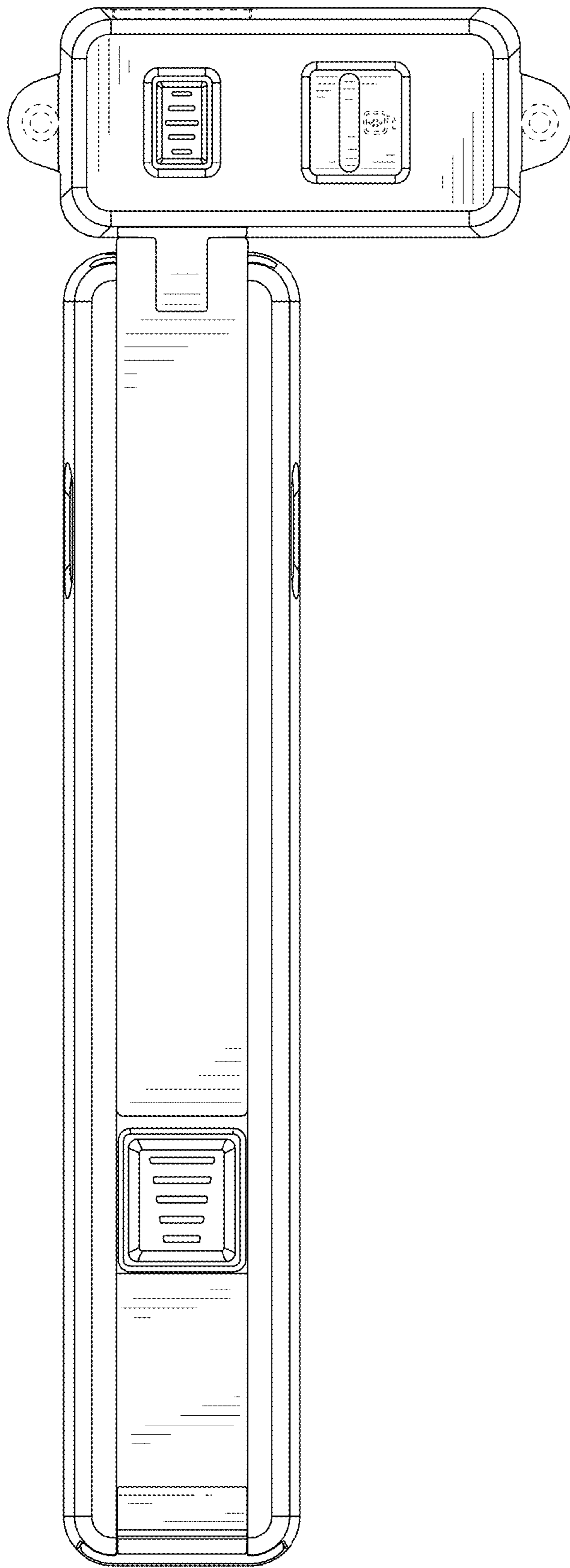


FIG. 2

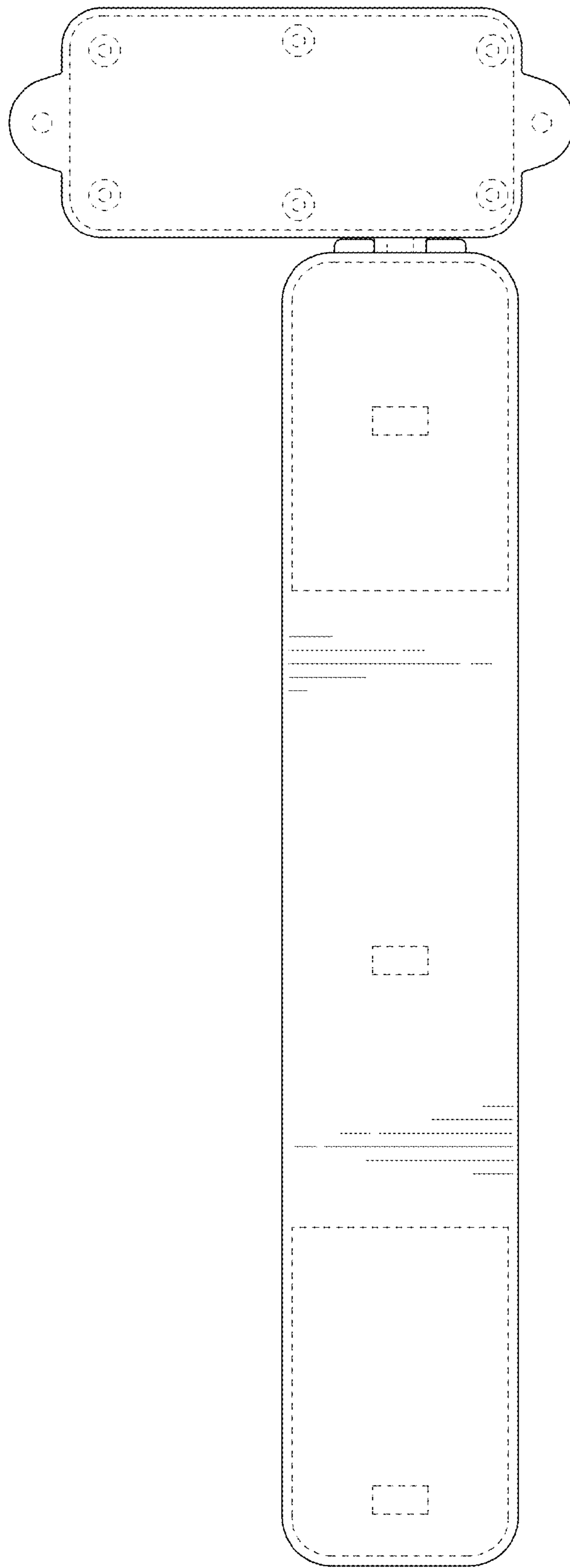


FIG. 3

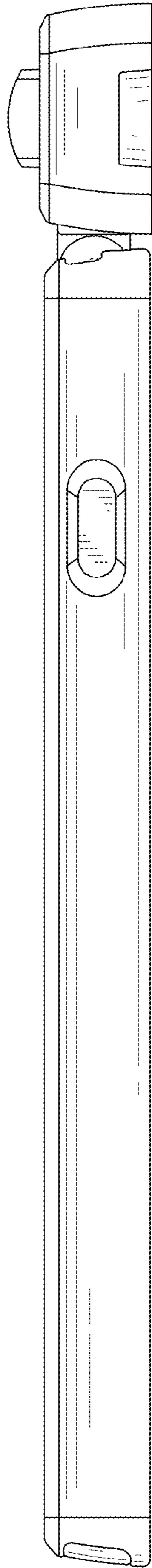


FIG. 4

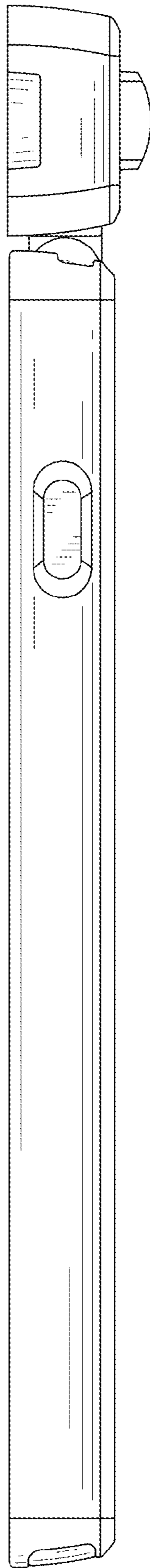


FIG. 5

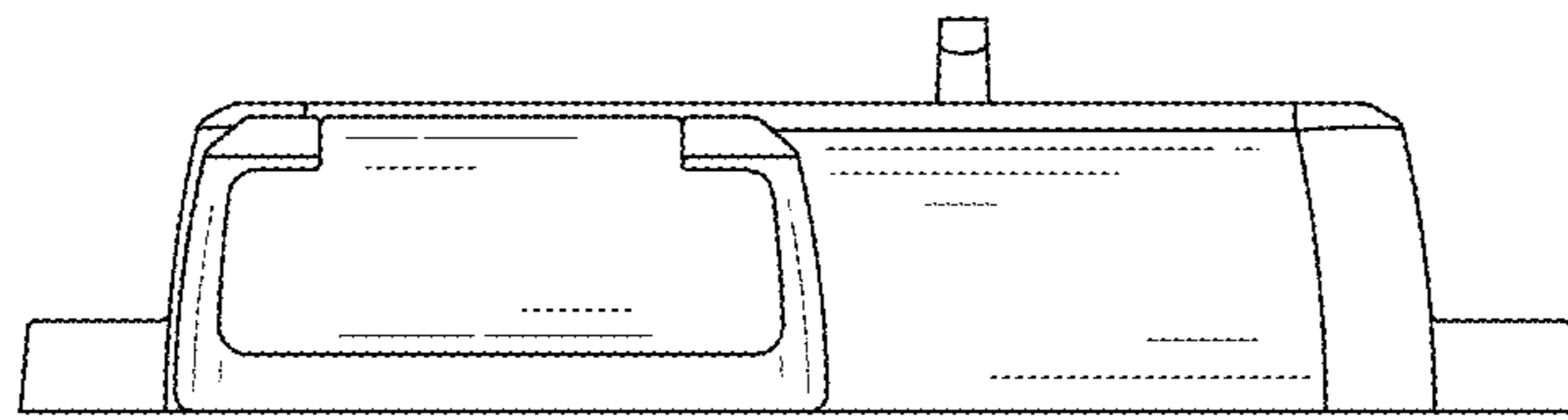


FIG. 6

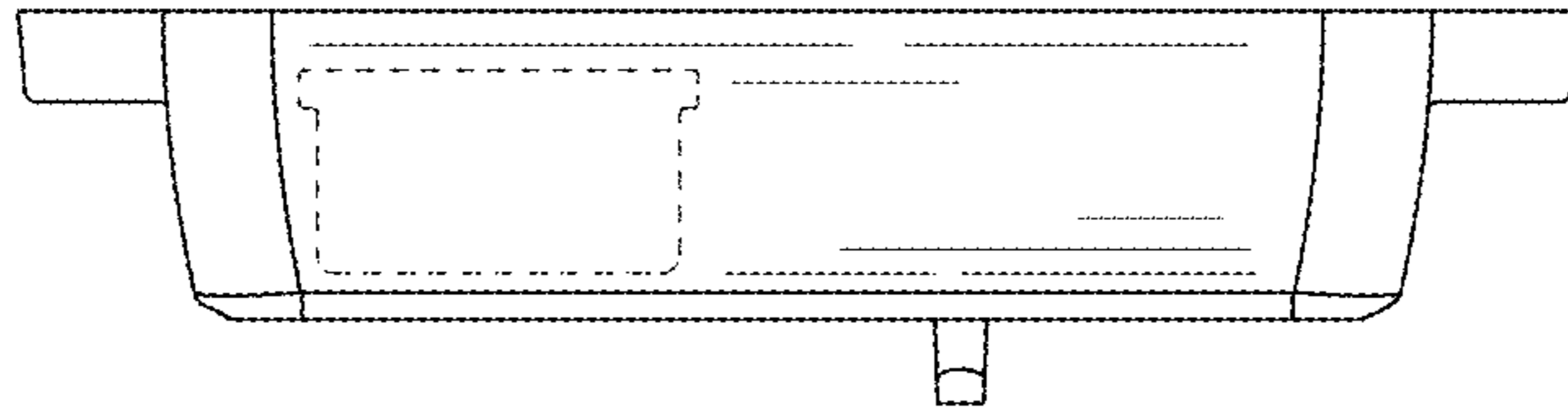


FIG. 7