

US00D944634S

(12) **United States Design Patent** (10) **Patent No.:** **US D944,634 S**
Williams et al. (45) **Date of Patent:** **** Mar. 1, 2022**

(54) **FIXATION DEVICE**
(71) Applicant: **WEST GEN TECHNOLOGIES, L.L.C.**, Plainview, TX (US)
(72) Inventors: **Donald A. Williams**, Plainview, TX (US); **George J. Sikora**, Bridgewater, MA (US)
(73) Assignee: **WEST GEN TECHNOLOGIES, L.L.C.**, Plainview, TX (US)

5,904,704 A 5/1999 Goble et al.
6,139,565 A 10/2000 Stone et al.
6,267,766 B1 7/2001 Burkhart
6,302,885 B1 10/2001 Essiger
D462,895 S * 9/2002 Gaudron D8/385
D605,933 S * 12/2009 Gaudron D8/385
7,699,881 B2 4/2010 Willmann
D642,900 S * 8/2011 McDuff D8/385
D666,901 S * 9/2012 Surjan D8/387
D669,772 S * 10/2012 Fox D8/387
D792,549 S * 7/2017 McKillips D22/108
D828,148 S * 9/2018 Camilleri D8/387

(Continued)

(**) Term: **15 Years**

OTHER PUBLICATIONS

(21) Appl. No.: **29/693,463**
(22) Filed: **Jun. 3, 2019**
(51) **LOC (13) Cl.** **08-08**
(52) **U.S. Cl.**
USPC **D8/393**
(58) **Field of Classification Search**
USPC D8/358, 373, 385, 386-388, 393, 402,
D8/349, 382, 396-397; D11/79, 86, 222,
D11/226; D17/20; D24/171
CPC F16B 12/22; F16B 12/24; F16B 12/125;
F16B 37/14; F16B 12/20; F16B 12/26;
F16B 13/045; F16B 19/109; F16B
2001/0064; F16B 31/021; F16B 35/00;
F16B 37/085; F16B 37/145; E04B
1/4178; E04B 1/7616
See application file for complete search history.

International Searching Authority, International Search Report and Written Opinion for corresponding application (PCT/US2019/035148), dated Sep. 20, 2019; 11 pages.

Primary Examiner — Susan Bennett Hattan
Assistant Examiner — Elizabeth S Ko
(74) *Attorney, Agent, or Firm* — Dickinson Wright PLLC; K. Lance Anderson; Mark E. Scott

(57) **CLAIM**

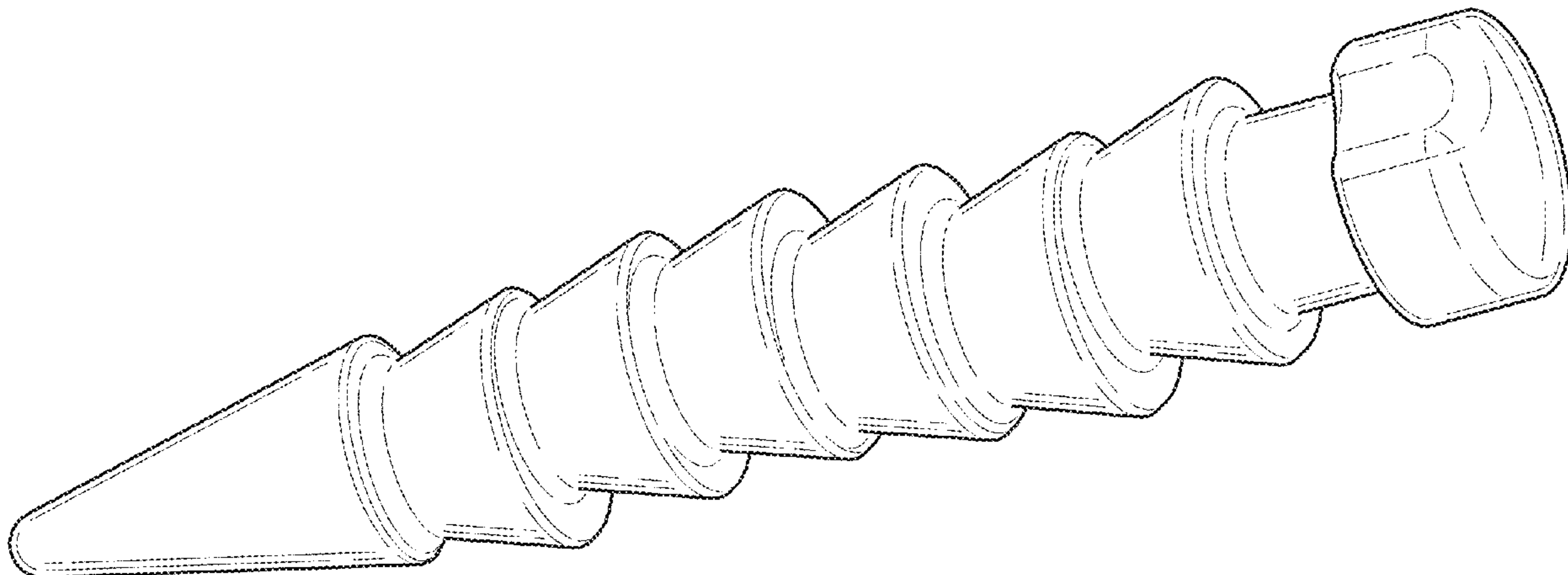
The ornamental design for a fixation device, as shown.

DESCRIPTION

FIG. 1 is a perspective view of a fixation device showing the new design.
FIG. 2 is a front view thereof;
FIG. 3 is a back view thereof;
FIG. 4 is a right side view thereof;
FIG. 5 is a left side view thereof;
FIG. 6 is a top view thereof;
FIG. 7 is a bottom view thereof; and,
FIG. 8 is a cross-sectional view showing the fixation device in an example environment.
The broken lines in the drawings depict the environment of the design and form no part of the claimed design.

1 Claim, 5 Drawing Sheets

(56) **References Cited**
U.S. PATENT DOCUMENTS
5,160,225 A * 11/1992 Chern F16B 13/002
408/203.5
5,380,334 A 1/1995 Torrie et al.
5,387,213 A 2/1995 Breard et al.
5,522,843 A 6/1996 Zang
D378,052 S * 2/1997 Perreault D8/387
5,725,581 A 3/1998 Branemark



(56)

References Cited

U.S. PATENT DOCUMENTS

| | | | | | | |
|--------------|----|---|---------|--------------------|-------|--------|
| D830,820 | S | * | 10/2018 | Sweeney | | D8/387 |
| D831,475 | S | * | 10/2018 | Sweeney | | D8/387 |
| D843,825 | S | * | 3/2019 | Wang | | D8/385 |
| D848,251 | S | * | 5/2019 | Wang | | D8/385 |
| D853,830 | S | * | 7/2019 | Wang | | D8/387 |
| D863,050 | S | * | 10/2019 | Chao | | D8/387 |
| D879,598 | S | * | 3/2020 | Pring | | D8/387 |
| D882,385 | S | * | 4/2020 | Tjerrild | | D8/387 |
| D885,874 | S | * | 6/2020 | Hsiao | | D8/387 |
| D887,259 | S | * | 6/2020 | Schwarzmann | | D8/387 |
| D892,604 | S | * | 8/2020 | Tsai | | D8/387 |
| D895,411 | S | * | 9/2020 | Camilleri | | D8/387 |
| D899,238 | S | * | 10/2020 | Scott | | D8/387 |
| 2002/0161401 | A1 | | 10/2002 | Steiner | | |
| 2003/0088251 | A1 | | 5/2003 | Braun et al. | | |
| 2004/0098045 | A1 | | 5/2004 | Grafton et al. | | |
| 2004/0153074 | A1 | | 8/2004 | Bojarski et al. | | |
| 2005/0107828 | A1 | | 5/2005 | Reese | | |
| 2005/0267478 | A1 | | 12/2005 | Corradi et al. | | |
| 2007/0198017 | A1 | | 8/2007 | Tschakaloff et al. | | |
| 2007/0198018 | A1 | | 8/2007 | Biedermann et al. | | |
| 2008/0009904 | A1 | | 1/2008 | Bourque et al. | | |
| 2008/0167660 | A1 | | 7/2008 | Moreau et al. | | |
| 2009/0125071 | A1 | | 5/2009 | Skinlo et al. | | |
| 2010/0004683 | A1 | | 1/2010 | Hoof et al. | | |
| 2010/0063541 | A1 | | 3/2010 | Brunelle et al. | | |
| 2016/0278760 | A1 | | 9/2016 | McDevitt | | |

* cited by examiner

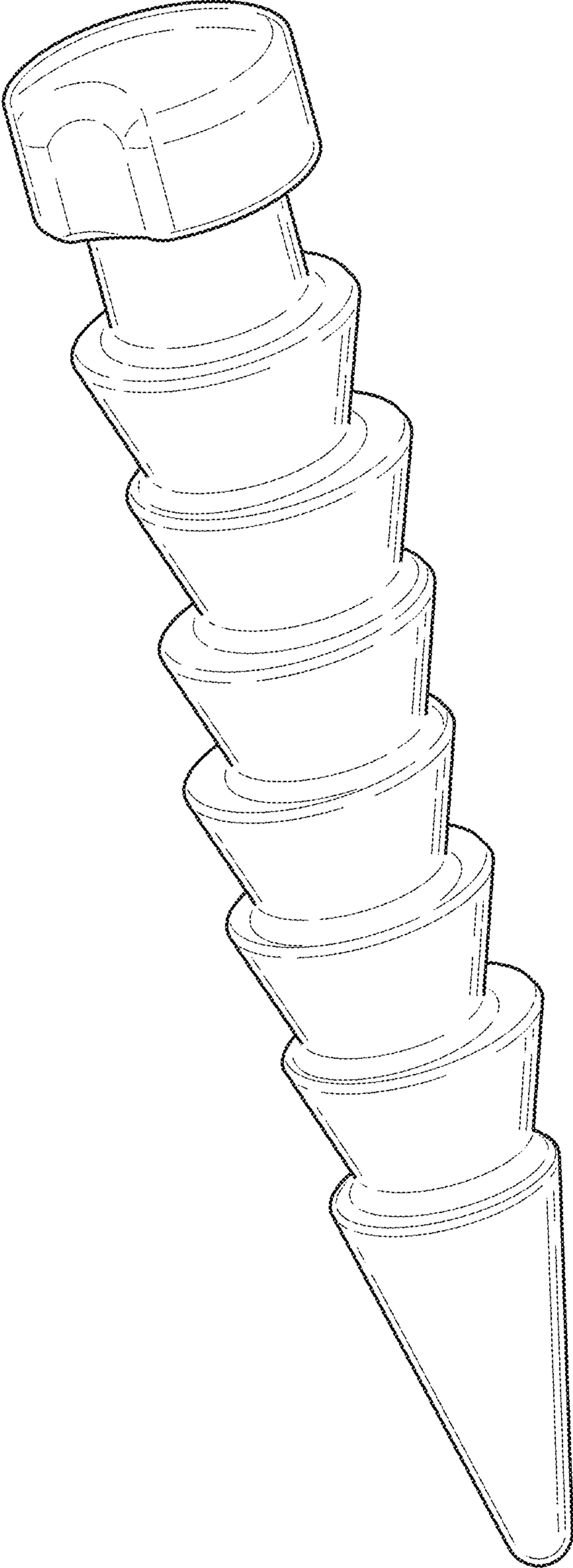


FIG. 1

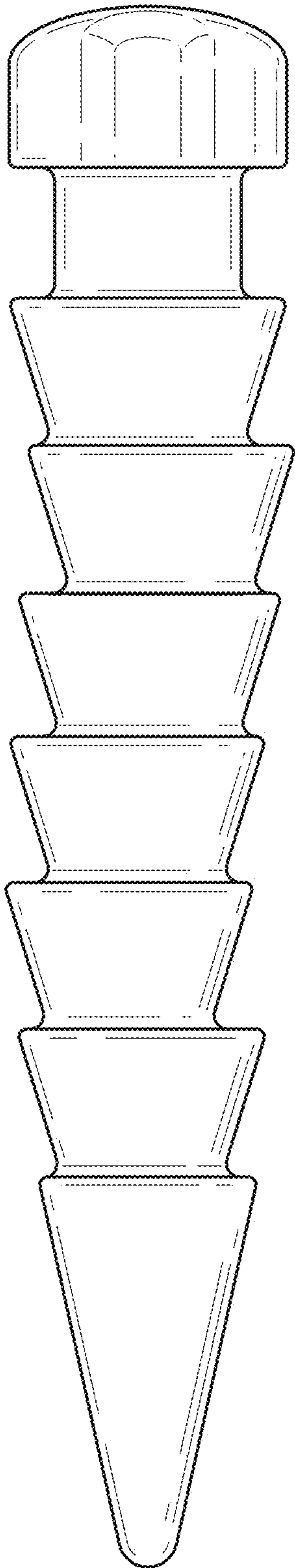


FIG. 2

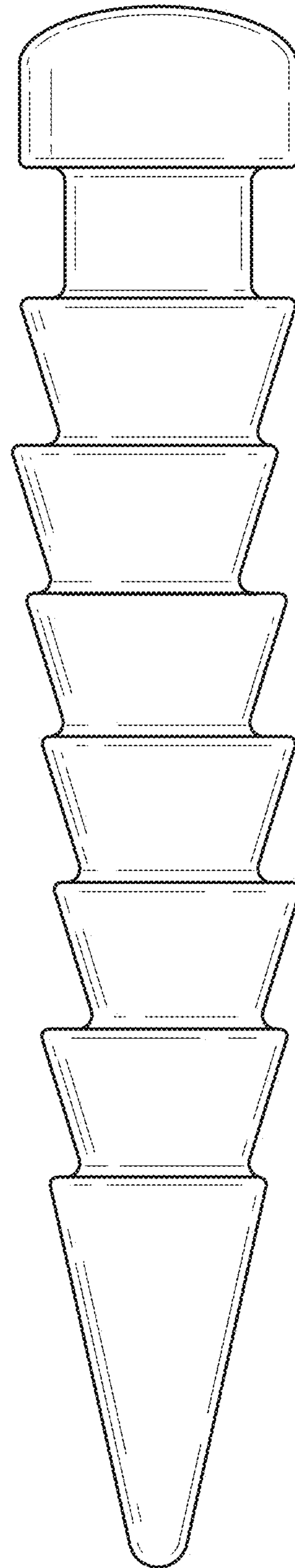


FIG. 3

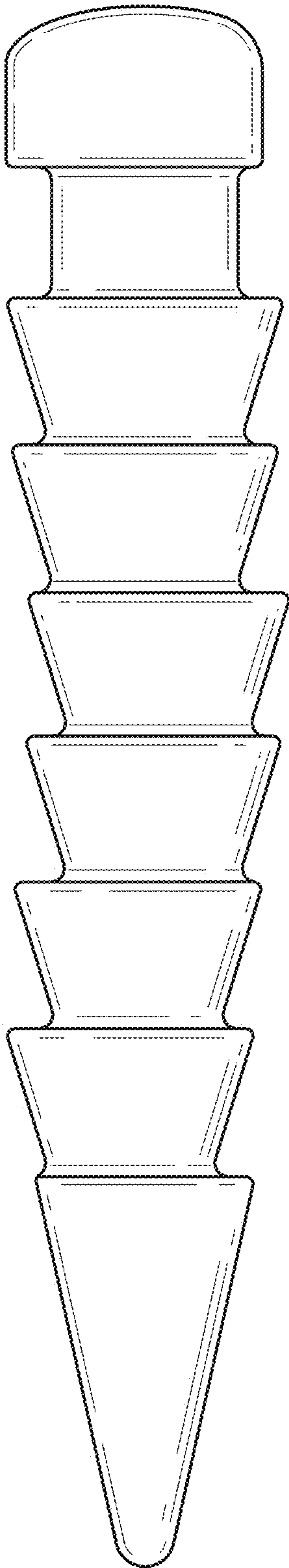


FIG. 4

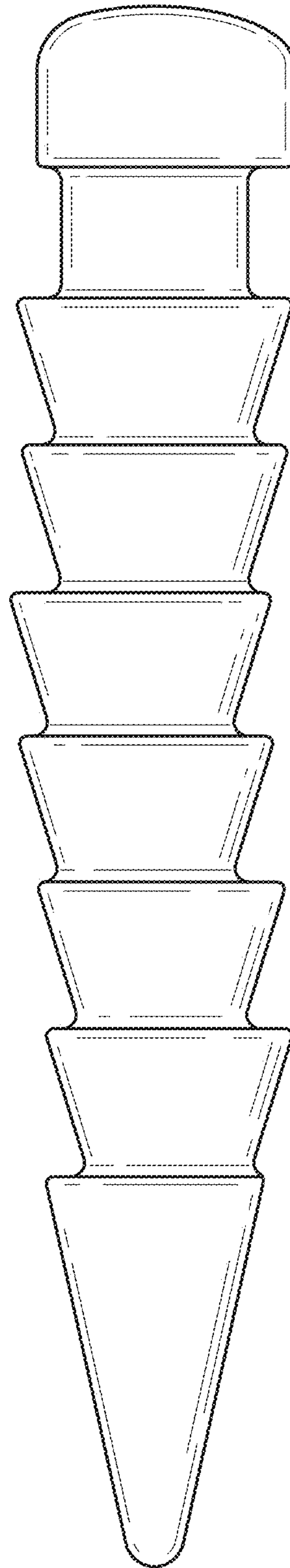


FIG. 5

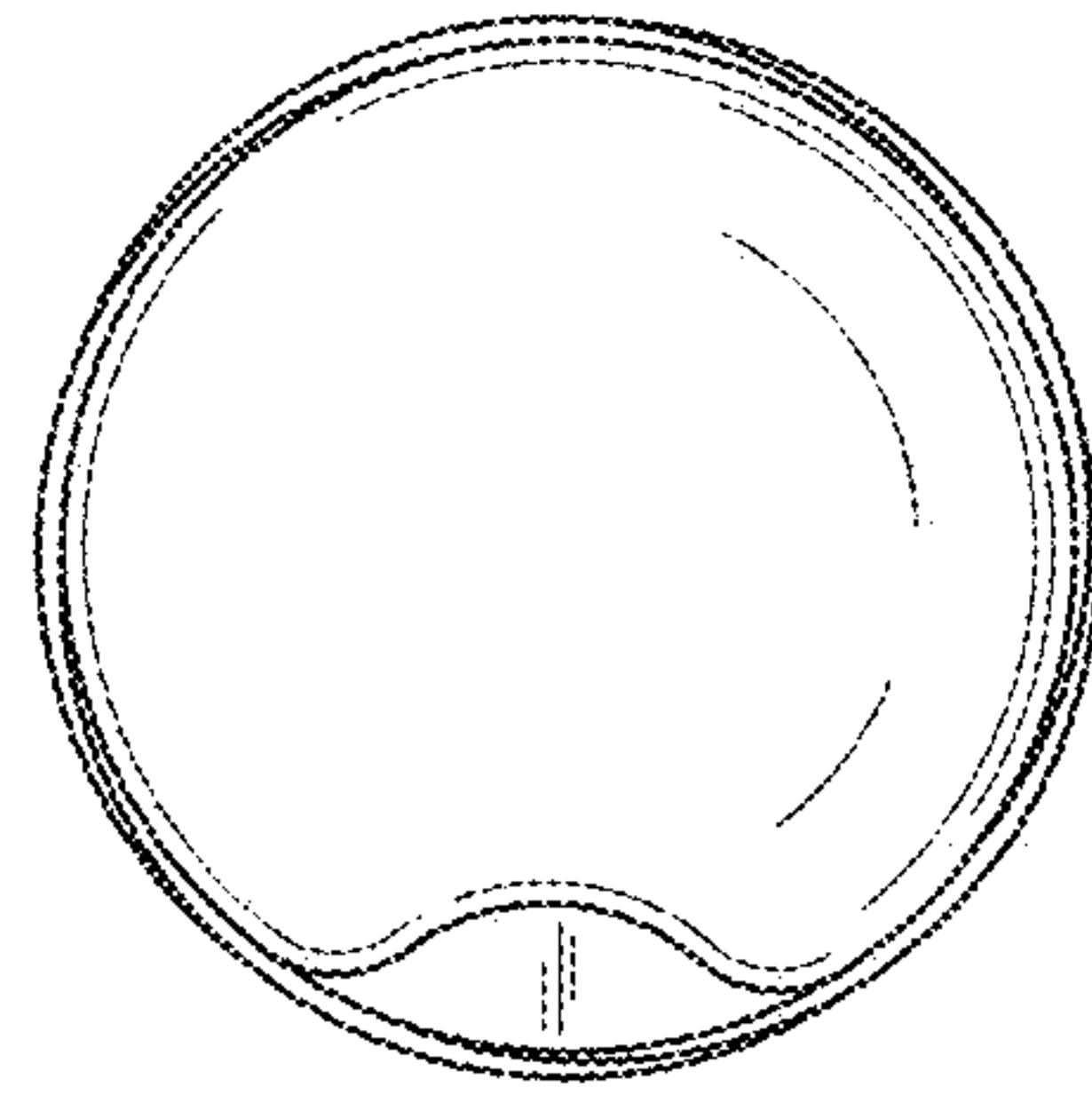


FIG. 6

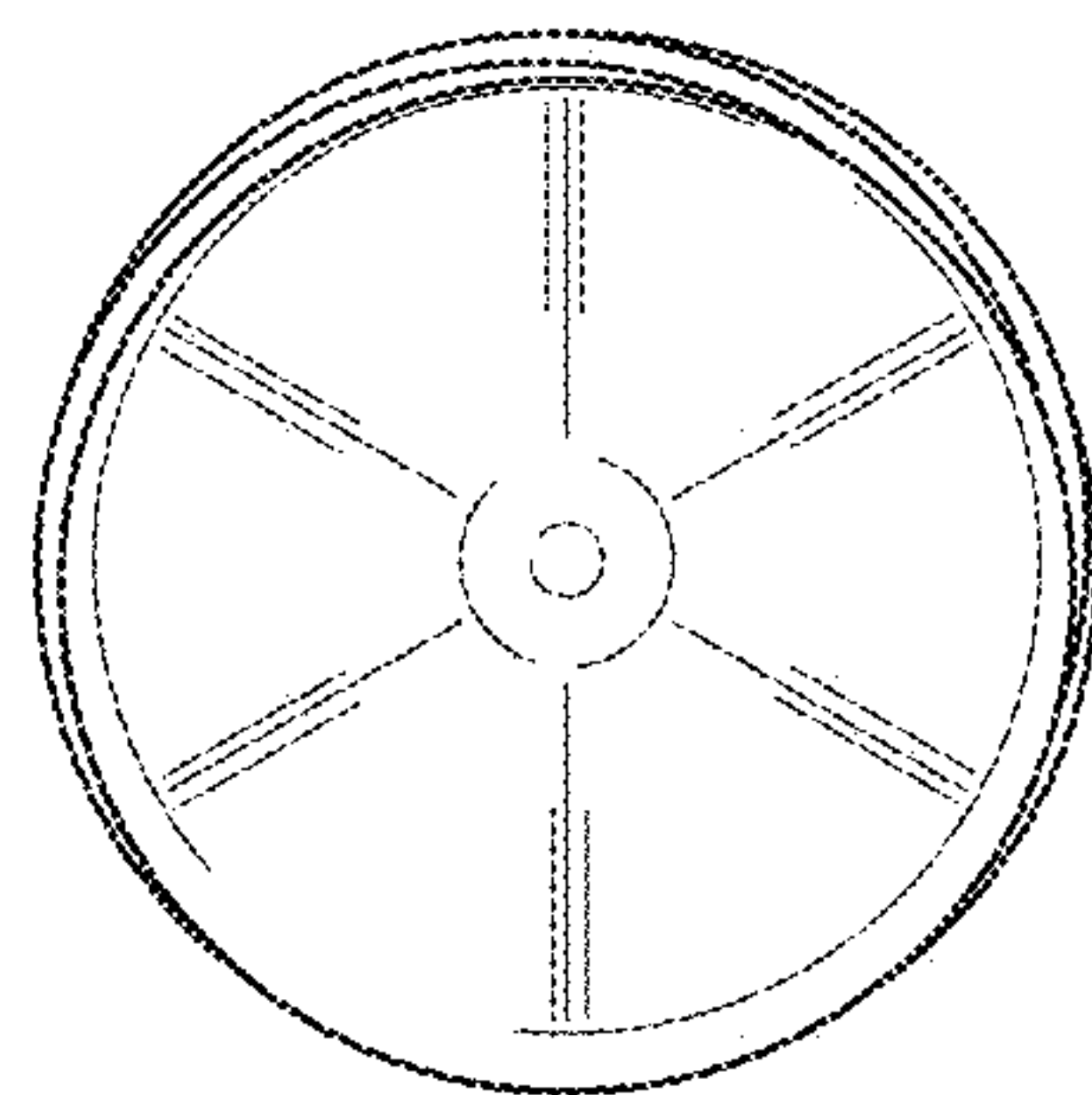


FIG. 7

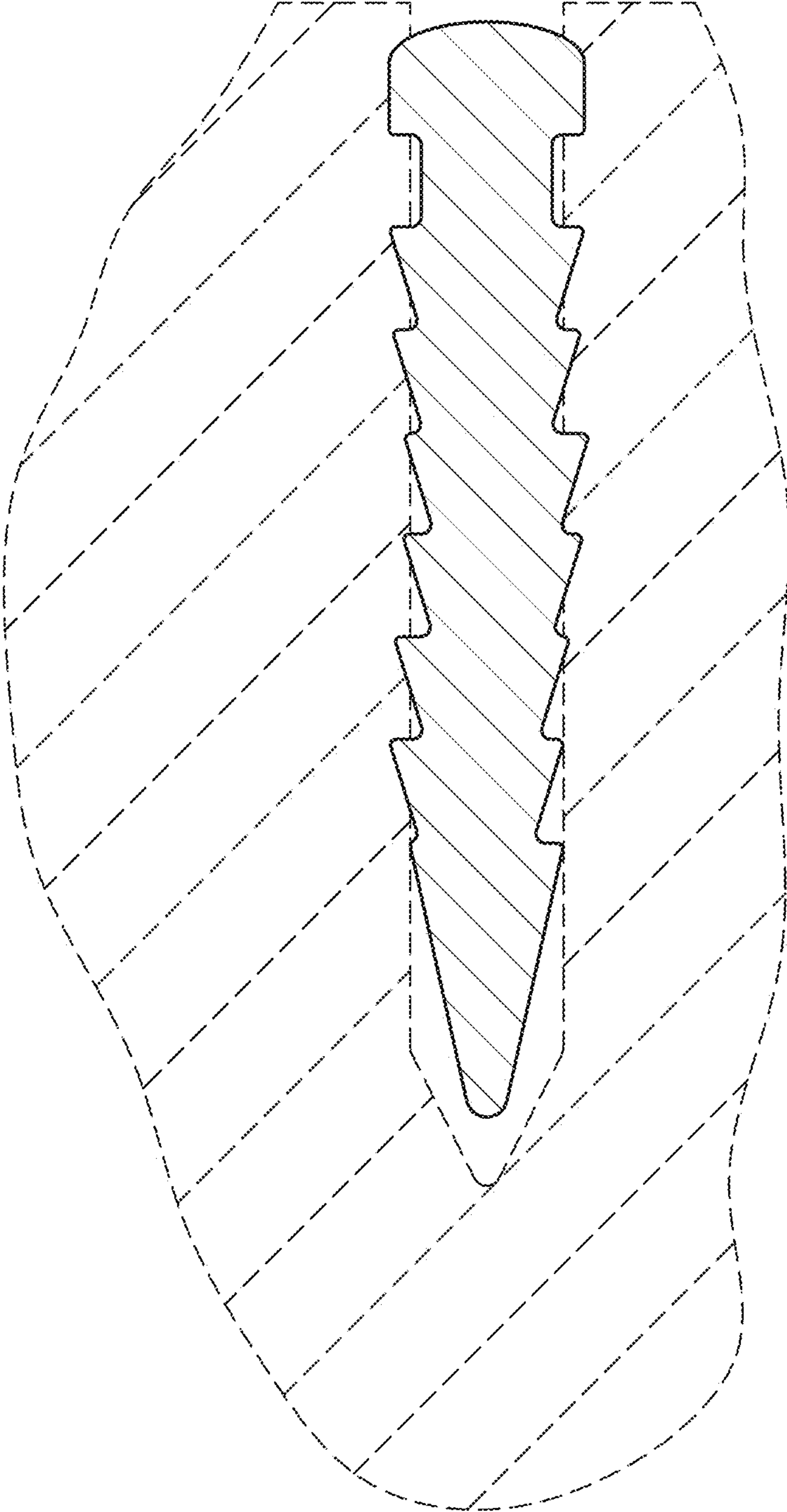


FIG.8