



US00D944633S

(12) **United States Design Patent**
Axelsson

(10) **Patent No.:** **US D944,633 S**
(45) **Date of Patent:** **** Mar. 1, 2022**

(54) **FASTENING DEVICE**

(71) Applicant: **MAFI AB**, Mora (SE)

(72) Inventor: **Andreas Axelsson**, Malung (SE)

(73) Assignee: **MAFI AB**, Mora (SE)

(**) Term: **15 Years**

(21) Appl. No.: **29/782,075**

(22) Filed: **May 4, 2021**

(30) **Foreign Application Priority Data**

Nov. 25, 2020 (EM) 008285290-0003

(51) **LOC (13) Cl.** **08-08**

(52) **U.S. Cl.**
USPC **D8/382**

(58) **Field of Classification Search**
USPC D8/16, 71, 72, 380, 381, 382, 349, 354,
D8/394; D10/103, 121; D13/133, 149,
D13/154
CPC H01Q 1/12; H01Q 1/1207; H01Q 1/1228;
H01Q 1/125; F16L 3/02; F16L 3/10;
F16L 3/1016; F16L 3/1091; F16B 2/12;
F16B 2/065; F16B 7/00; F16B 7/04;
F16B 7/0446; F16B 7/0486; F16M
13/022

See application file for complete search history.

(56) **References Cited**

U.S. PATENT DOCUMENTS

D131,157 S * 1/1942 Drake D10/103
D257,663 S * 12/1980 McKee D8/354
D257,664 S * 12/1980 McKee D8/354
D371,293 S * 7/1996 Schoenmeyr D8/354
D387,970 S * 12/1997 Enslen D8/349
D426,453 S * 6/2000 Stearns D8/354
6,262,691 B1 * 7/2001 Austin H01Q 1/1221
343/878

9,045,898 B2 * 6/2015 Ravnaas E04B 2/7409
D740,589 S * 10/2015 Ng D6/580
9,622,292 B1 * 4/2017 Burrell H04W 88/08
D826,177 S * 8/2018 Nelson D13/154
D841,597 S * 2/2019 Nelson D13/154
D886,572 S * 6/2020 Axelsson D8/382
D902,701 S * 11/2020 Smith D8/366
D902,702 S * 11/2020 Smith D8/366
D904,172 S * 12/2020 Jenkins D8/354
11,038,253 B1 * 6/2021 Tseng H01Q 1/288
2005/0024274 A1 * 2/2005 Byun H01Q 1/38
343/702
2007/0164183 A1 * 7/2007 Michaud H02G 3/123
248/300
2007/0177064 A1 * 8/2007 Lin H01Q 1/125
348/838

(Continued)

OTHER PUBLICATIONS

MAFi; 5045 Universal small cell bracket, Image post date unknown, Image retrieved on Oct. 30, 2021 (online), <https://www.mafigroup.com/products/>.*

Primary Examiner — Sandra Snapp
Assistant Examiner — Ieisha N Price
(74) *Attorney, Agent, or Firm* — Nixon & Vanderhye P.C.

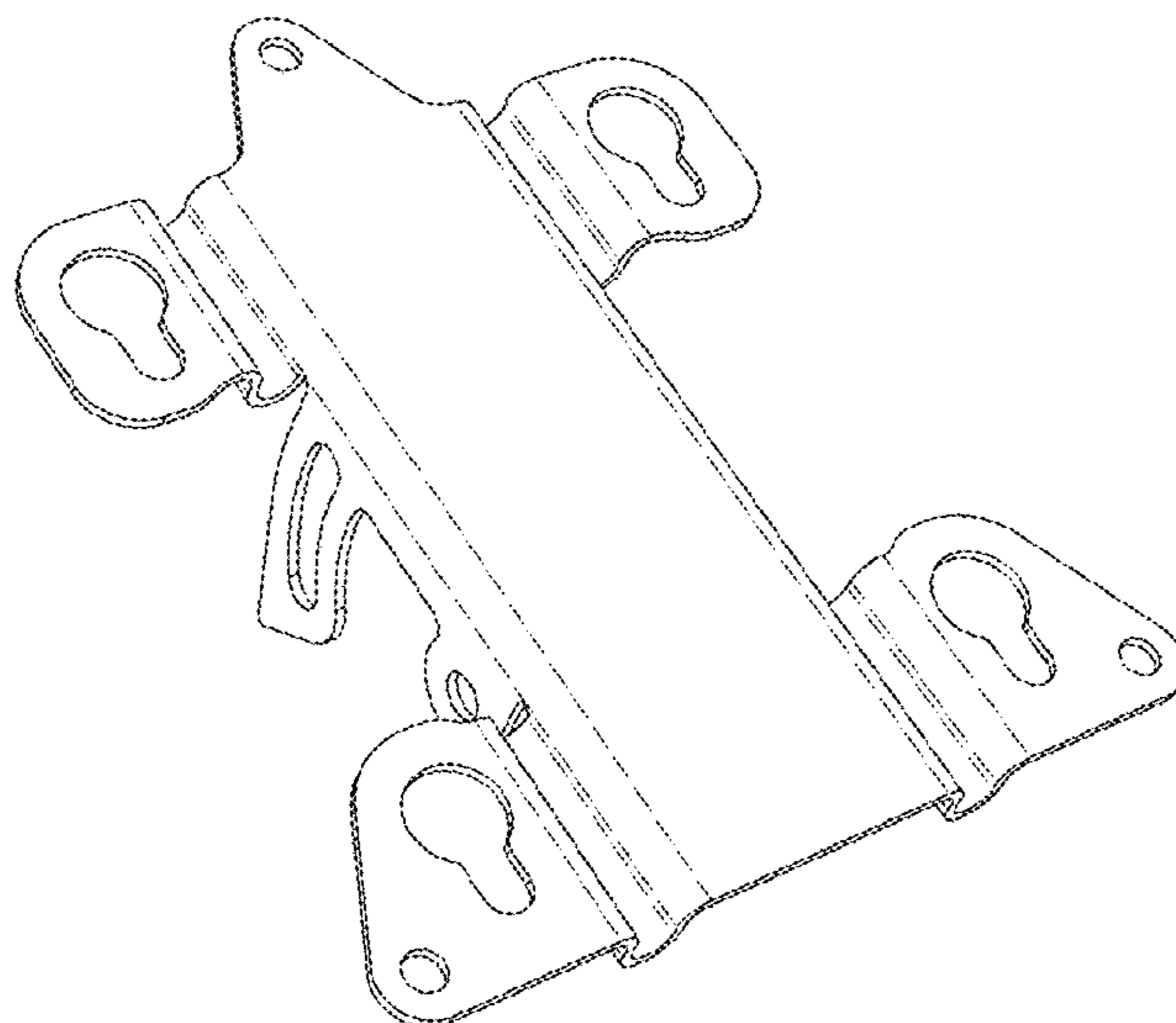
(57) **CLAIM**

The ornamental design for a fastening device, as shown and described.

DESCRIPTION

FIG. 1. is a left, front, top, perspective view of a fastening device;
FIG. 2 is a right, back, bottom perspective view thereof;
FIG. 3 is a front view thereof;
FIG. 4 is a back view thereof;
FIG. 5 is top view thereof;
FIG. 6 is a bottom view thereof; and,
FIG. 7 is a right side view thereof, the left side being a mirror image of.

1 Claim, 7 Drawing Sheets



(56)

References Cited

U.S. PATENT DOCUMENTS

2008/0012785	A1*	1/2008	Maxwell	H01Q 1/1221	343/892
2008/0165076	A1*	7/2008	Pan	H01Q 1/125	343/882
2009/0002261	A1*	1/2009	Bohm	H01Q 3/08	343/882
2010/0314514	A1*	12/2010	Nelson	F16M 11/08	248/219.1
2011/0083399	A1*	4/2011	Lettkeman	H01Q 1/1228	52/745.21
2012/0211624	A1*	8/2012	Lin	H01Q 1/1228	248/292.14
2013/0002518	A1*	1/2013	Yang	H01Q 3/06	343/882
2013/0134271	A1*	5/2013	Lee	H01Q 3/06	248/219.2
2014/0082921	A1*	3/2014	Adams, Jr.	F16B 7/04	29/525.02
2014/0306072	A1*	10/2014	Yang	H01Q 3/06	248/124.1
2016/0014843	A1*	1/2016	Burrell	H04W 88/08	455/561
2016/0036123	A1*	2/2016	Cashion	F16B 39/12	342/359
2016/0352376	A1*	12/2016	Shimizu	H01Q 1/1228	
2016/0365619	A1*	12/2016	Hamm	H01Q 1/1242	
2016/0369940	A1*	12/2016	Patil	F01N 3/2066	
2018/0212300	A1*	7/2018	Yang	H01Q 3/06	
2020/0063910	A1*	2/2020	Hung	F16M 11/24	
2020/0274233	A1*	8/2020	Purington	H01Q 1/1207	
2020/0287269	A1*	9/2020	Hashiguchi	H01Q 1/12	
2020/0335849	A1*	10/2020	Hashiguchi	H01Q 1/36	
2021/0066779	A1*	3/2021	Udagave	H01Q 1/246	
2021/0153377	A1*	5/2021	Kutsche	F16M 13/022	
2021/0226314	A1*	7/2021	Kolokotronis	H01Q 1/1228	
2021/0328337	A1*	10/2021	Gienger	H01Q 1/44	

* cited by examiner

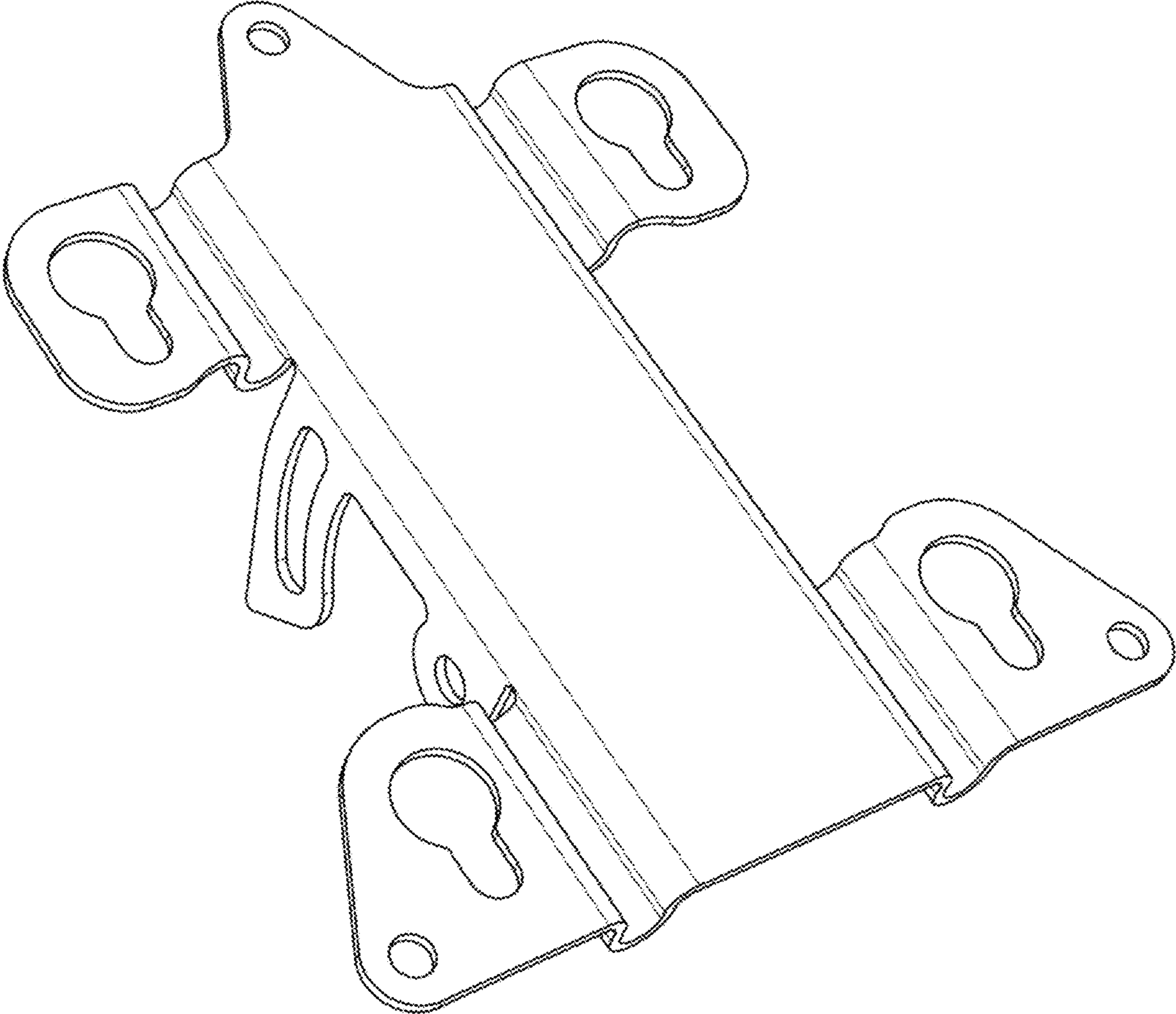


FIG. 1

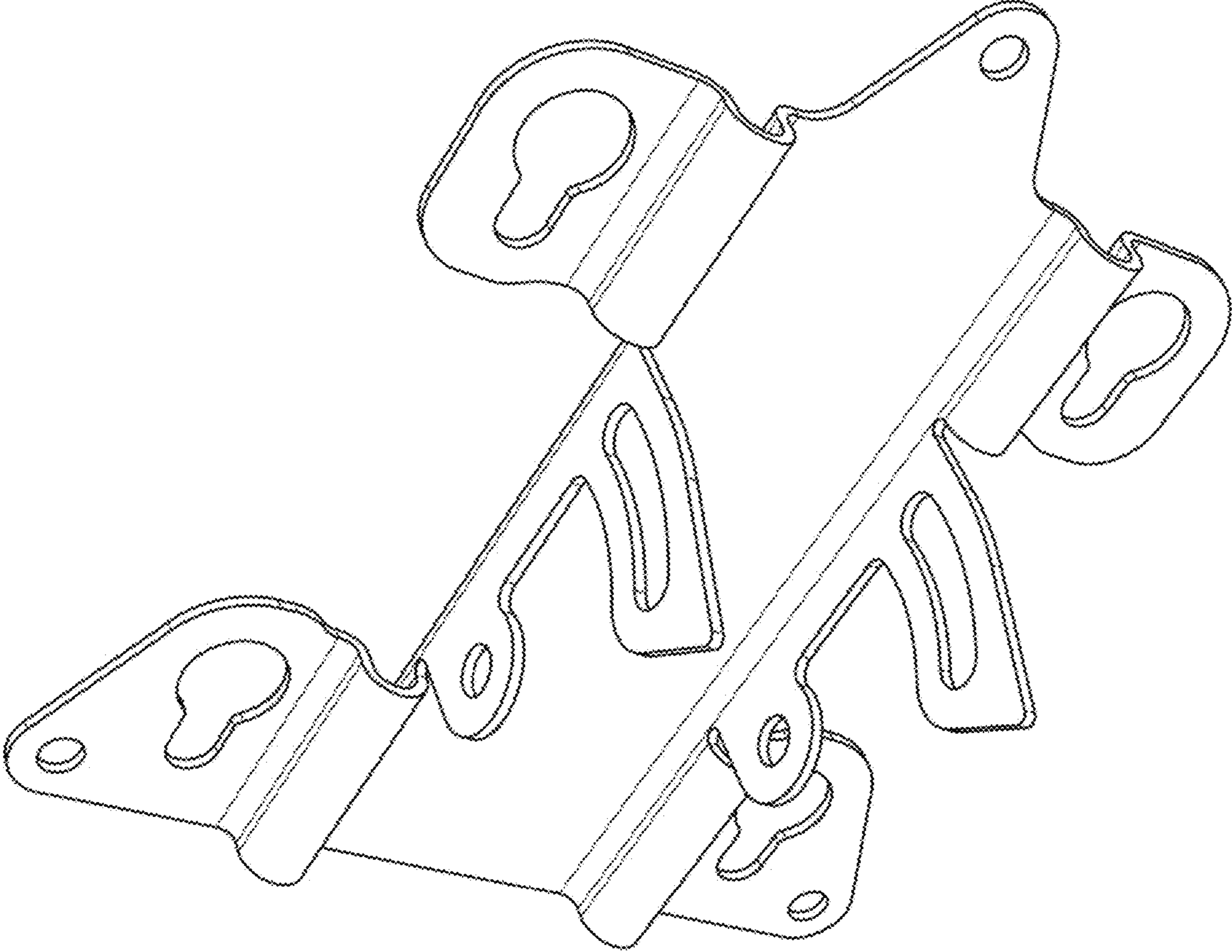


FIG. 2

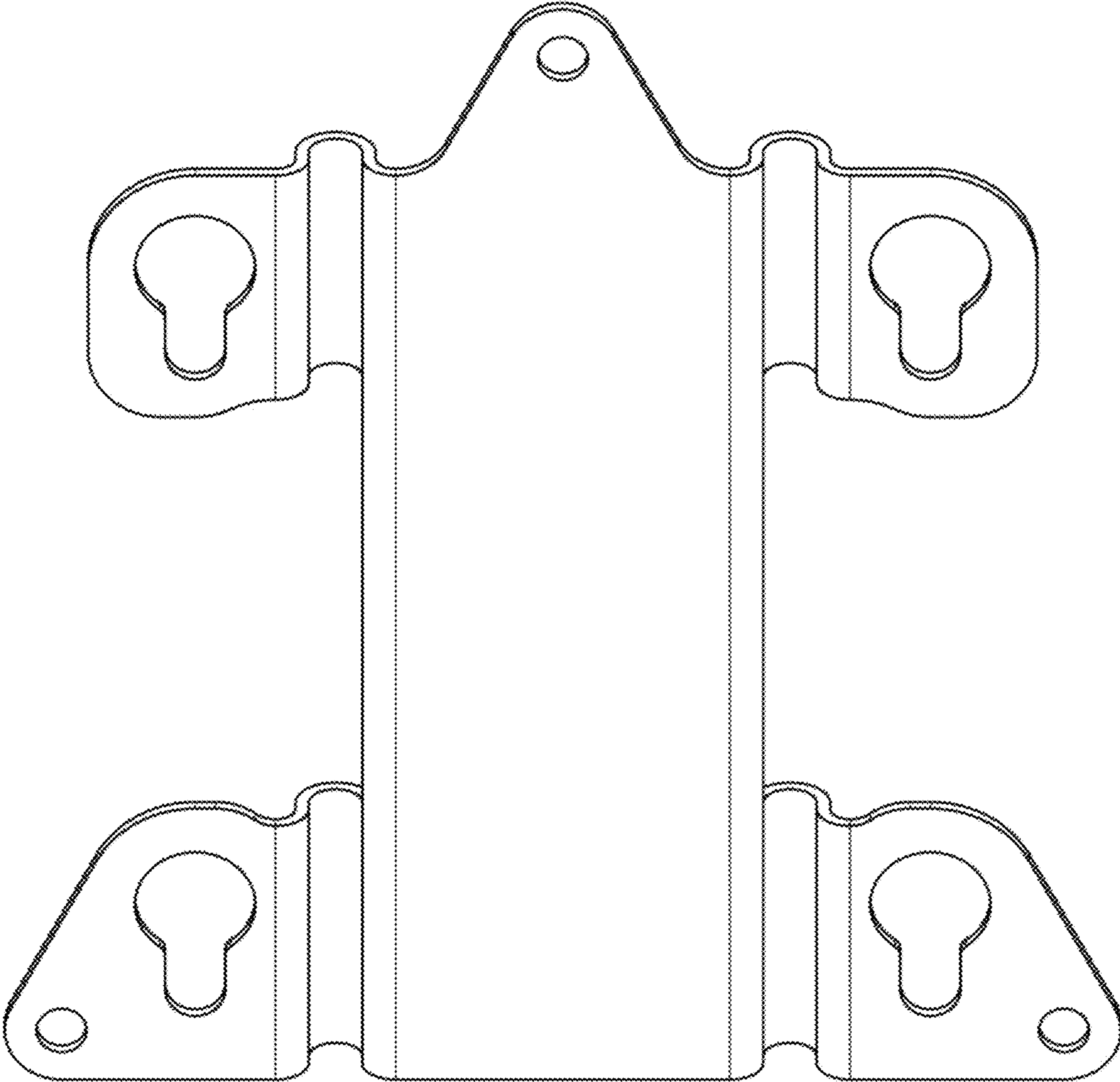


FIG. 3

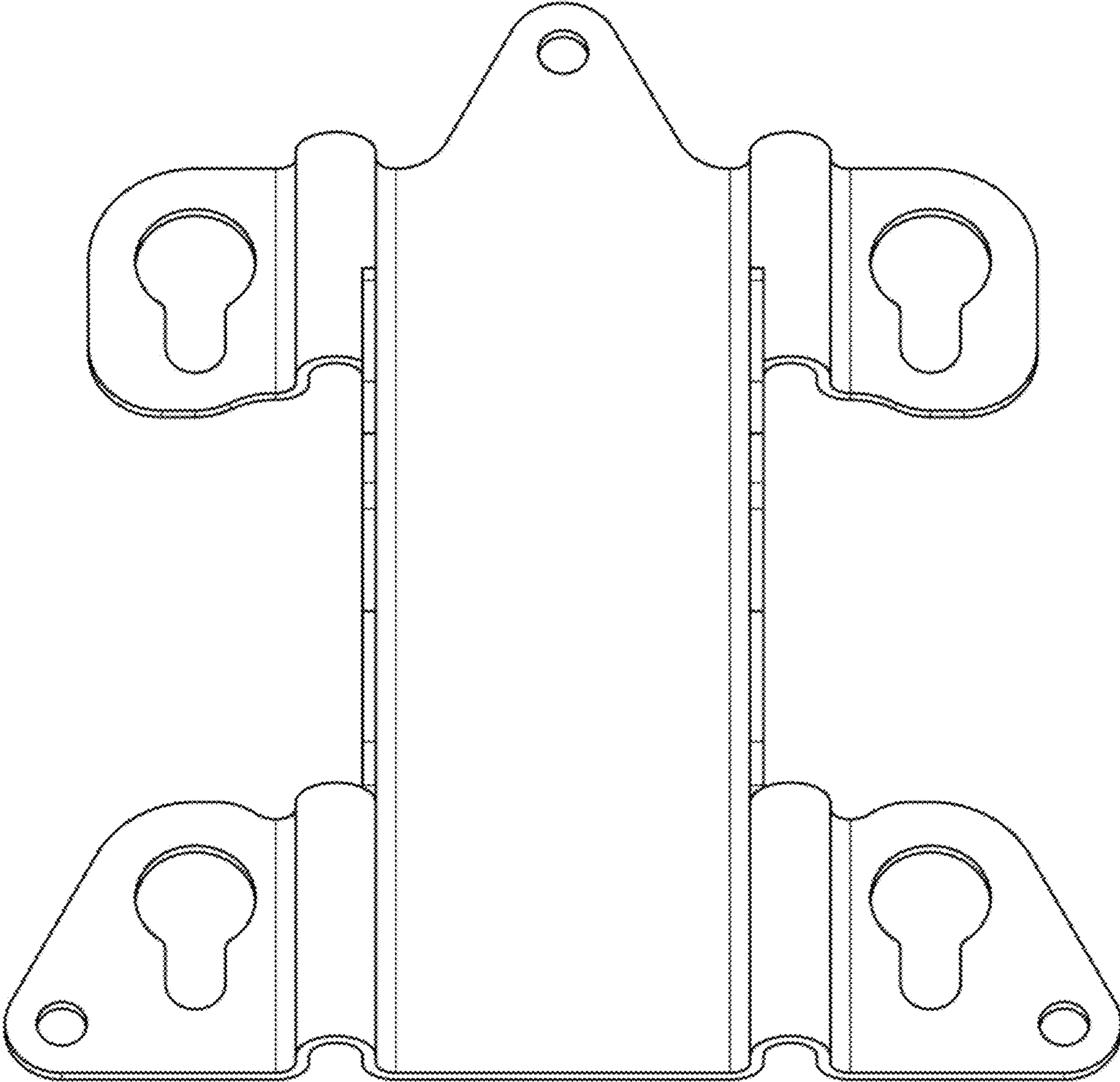


FIG. 4

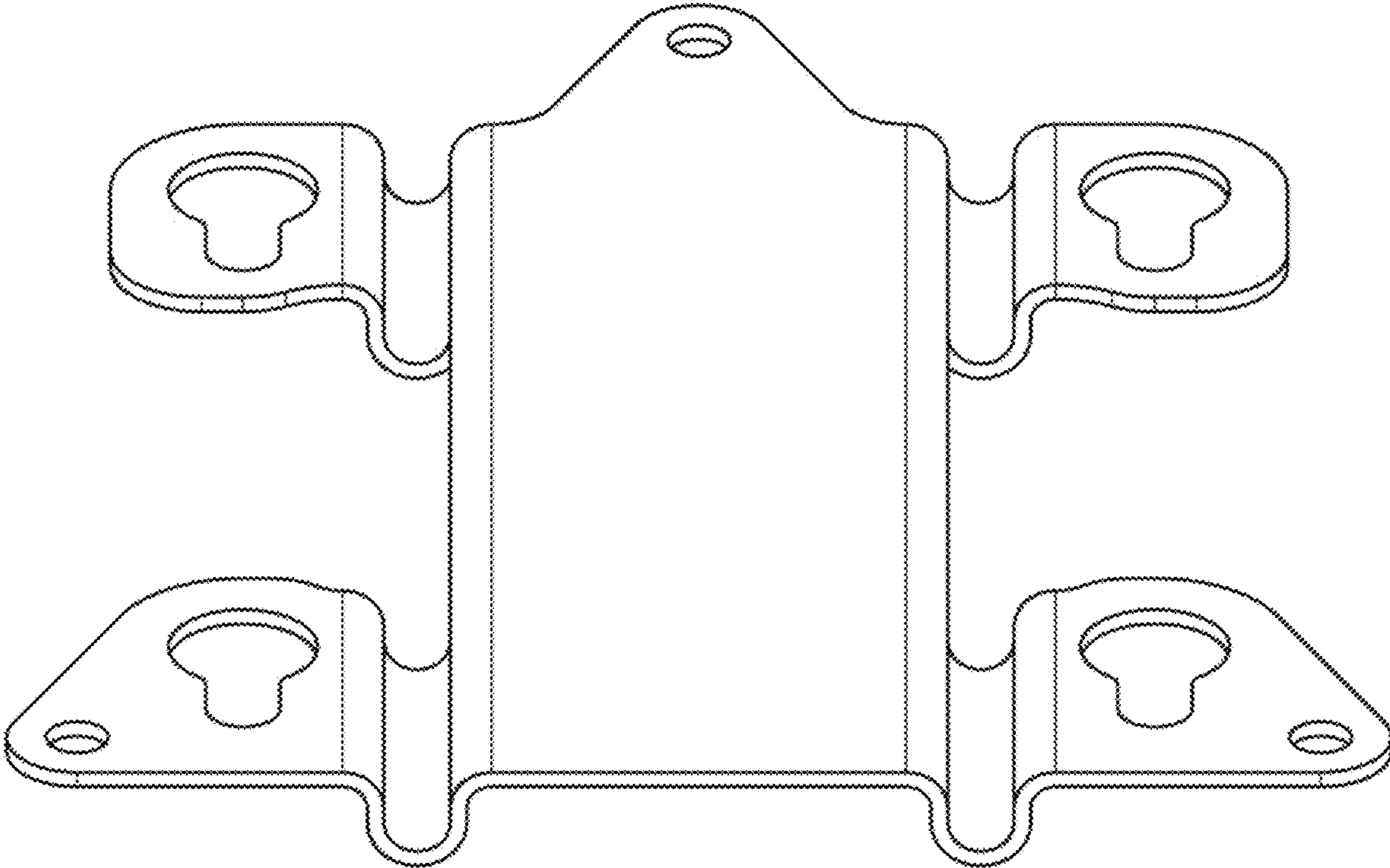


FIG. 5

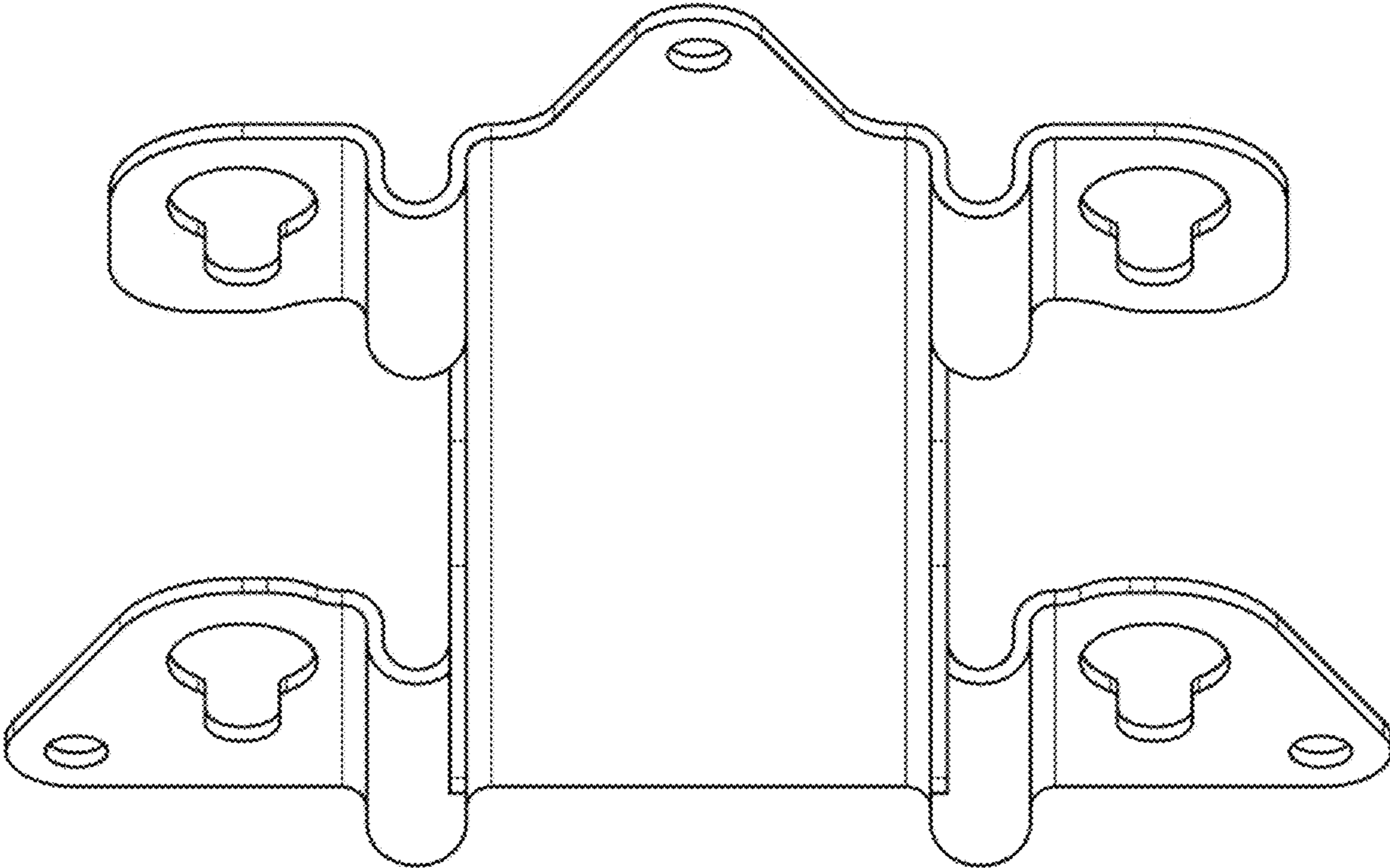


FIG. 6

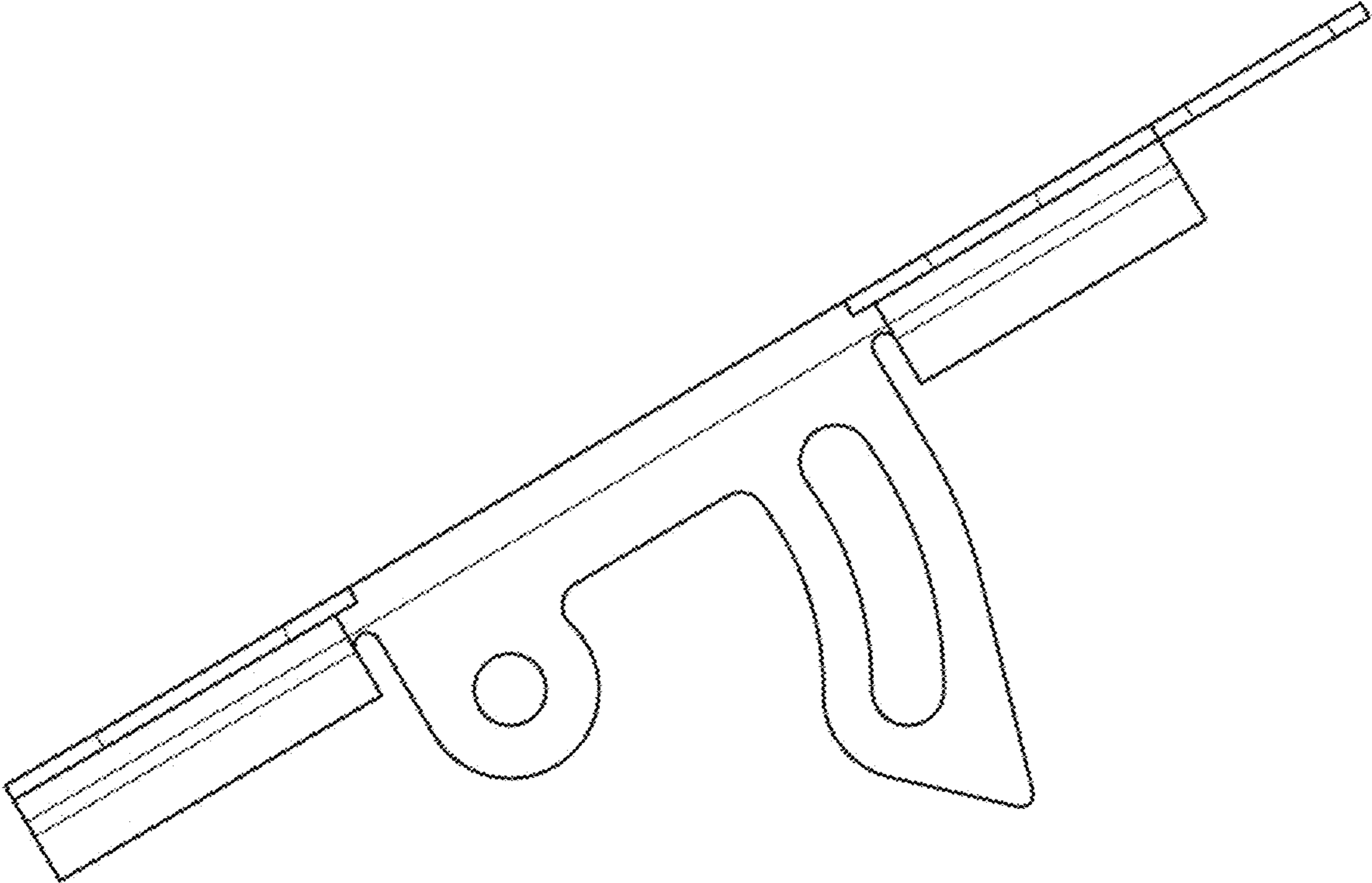


FIG. 7