



US00D944631S

(12) **United States Design Patent** (10) **Patent No.:** **US D944,631 S**  
**Fehr** (45) **Date of Patent:** **\*\* Mar. 1, 2022**

(54) **DISPLAY MOUNT**

(71) Applicant: **CKnapp Sales, Inc.**, Goodfield, IL (US)

(72) Inventor: **Micah Fehr**, Danvers, IL (US)

(73) Assignee: **CKnapp Sales, Inc.**, Goodfield, IL (US)

(\*\*) Term: **15 Years**

(21) Appl. No.: **29/677,468**

(22) Filed: **Jan. 21, 2019**

(51) **LOC (13) Cl.** ..... **08-05**

(52) **U.S. Cl.**  
USPC ..... **D8/373**

(58) **Field of Classification Search**  
USPC .... D8/373, 380, 381, 385, 354; D11/79, 93;  
D6/315, 323; D12/162; D14/125,  
D14/132-133  
CPC ..... A47F 5/00; A47F 5/0846; F16L 3/1025;  
F16L 3/1083; F16L 3/1091; F16L 3/11;  
A47G 1/1633; A47G 1/20; F16M 13/022;  
F16M 13/027

See application file for complete search history.

(56) **References Cited**

U.S. PATENT DOCUMENTS

D750,603 S *	3/2016	Venghaus	.....	D14/238
D822,454 S *	7/2018	Kanter	.....	D8/354
D829,533 S *	10/2018	Kanter	.....	D8/354
D846,369 S *	4/2019	Ni	.....	D8/354
D846,370 S *	4/2019	Ni	.....	D8/354
D859,958 S *	9/2019	Ni	.....	D8/354
D871,380 S *	12/2019	Fehr	.....	D14/239
D892,602 S *	8/2020	White	.....	D8/380
D894,717 S *	9/2020	Fehr	.....	D8/354
D897,193 S *	9/2020	Sokoly	.....	D8/367
D899,229 S *	10/2020	Tang	.....	D8/367

OTHER PUBLICATIONS

Maxonar iPad Stand Adjustable, Date Visited: Jul. 15, 2019, Amazon, Date Available: Jul. 29, 2020, <https://www.amazon.co.uk/Maxonar-Adjustable-Heavy-Aluminum-Foldable-Showcase-Grey/dp/B08DV7BC8P> (Year: 2020).\*  
VESA Mount Adapter for Acer Monitor XG270HU, G277HU, R240HY Abmidx (does not fit R240HY bidx) [Patent Pending]—by HumanCentric, retrieved from the web <https://www.amazon.com/Adapter-Monitor-XG270HU-G277HU-Pending/dp/B01DAYRXXRK/>, on Jan. 21, 2019, 10 pages.

\* cited by examiner

*Primary Examiner* — Sandra Snapp

*Assistant Examiner* — Elizabeth S Ko

(74) *Attorney, Agent, or Firm* — Hanley, Flight & Zimmerman, LLC

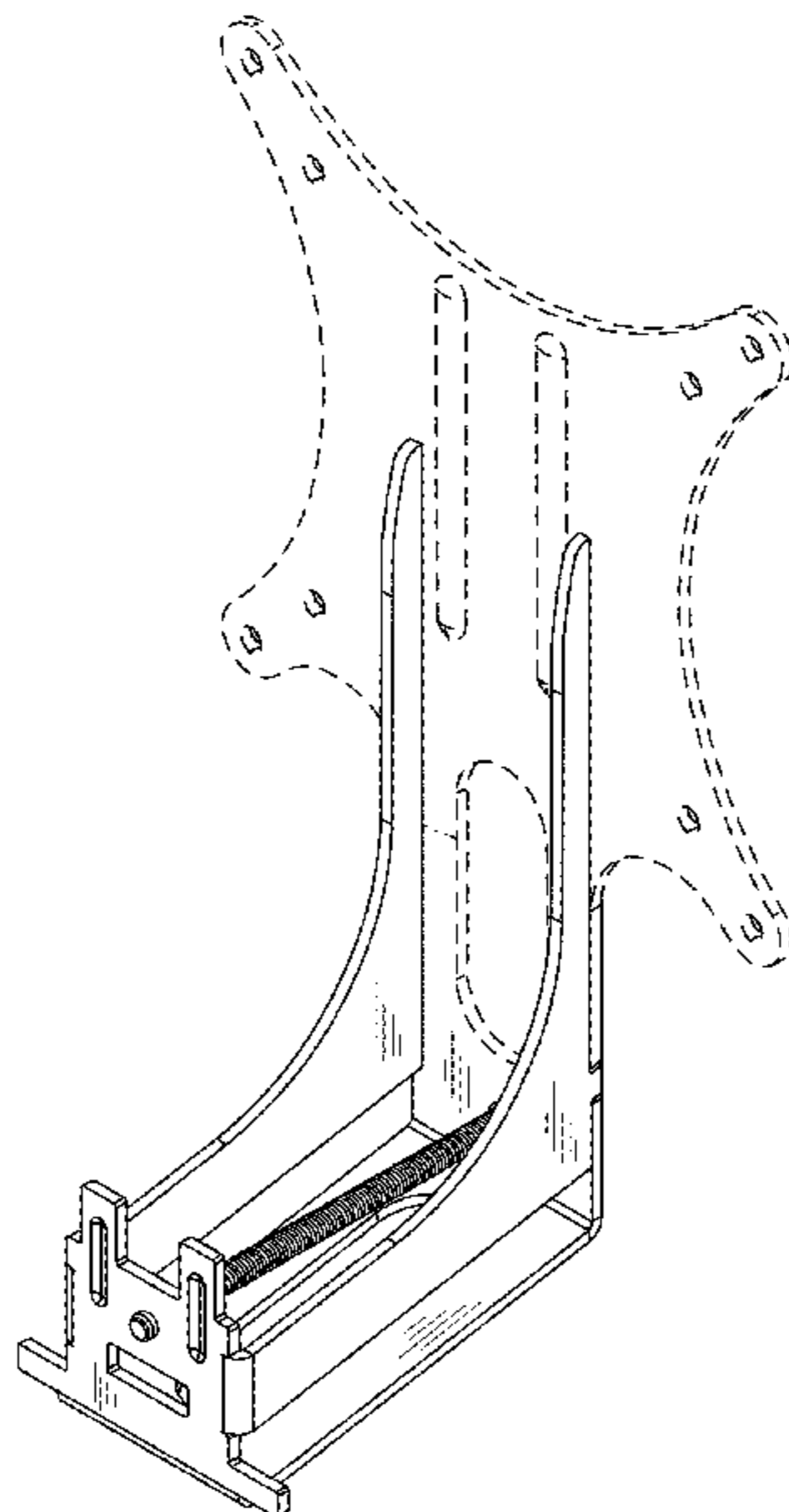
(57) **CLAIM**

The ornamental design for a “display mount”, substantially as shown and described.

**DESCRIPTION**

FIG. 1 is a first isometric view of a display mount.  
FIG. 2 is a front view of the display mount of FIG. 1.  
FIG. 3 is a rear view of the display mount of FIG. 1.  
FIG. 4 is a top view of the display mount of FIG. 1.  
FIG. 5 is a bottom view of the display mount of FIG. 1.  
FIG. 6 is a first side view of the display mount of FIG. 1; and,  
FIG. 7 is a second side view of the display mount of FIG. 1.  
The broken lines in the drawings depict portions of the display mount and form no part of the claimed design. The dash-dot-dash boundary lines designate a boundary of the claim such that the claim extends to the boundary line but does not include the boundary line.

**1 Claim, 7 Drawing Sheets**



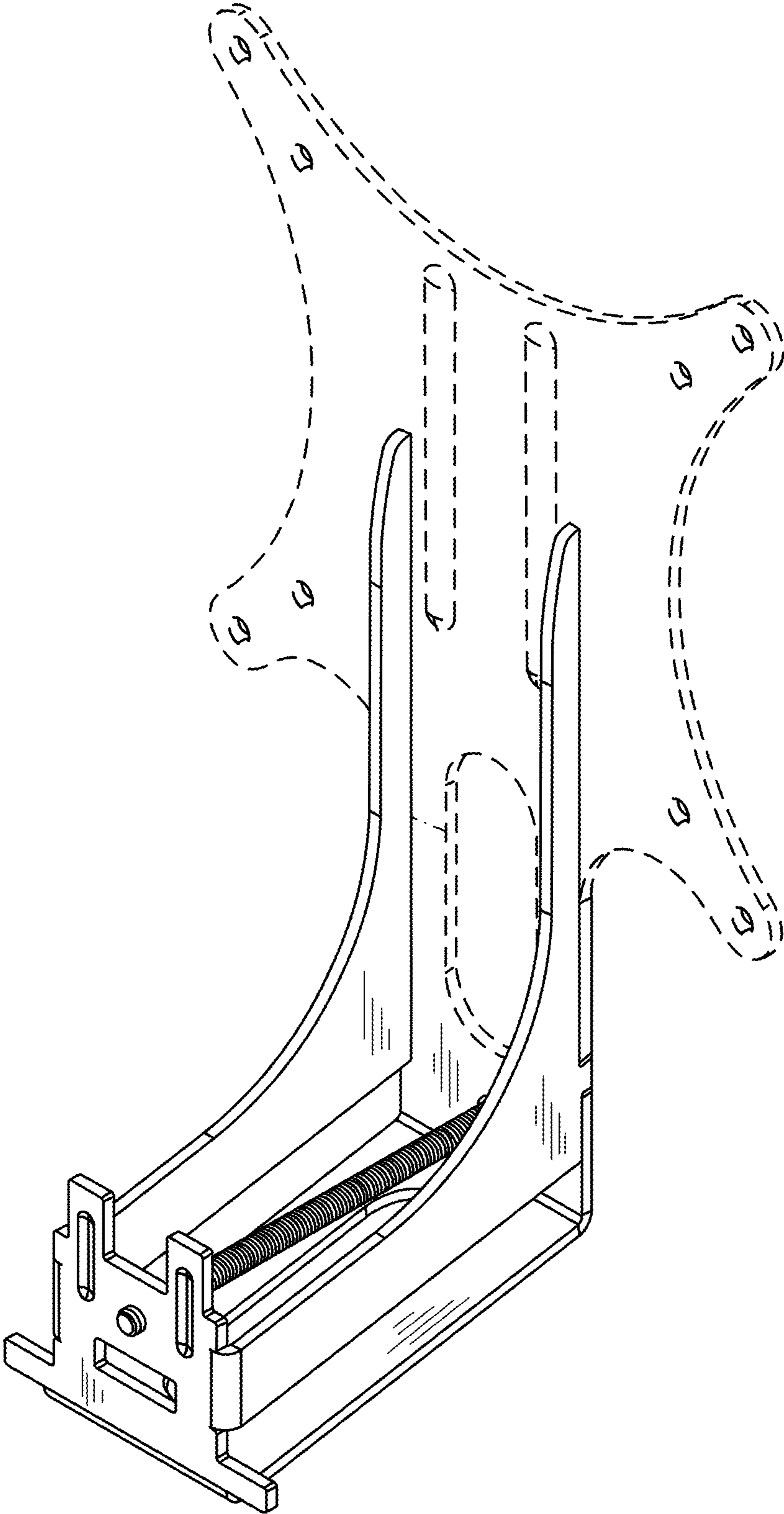


FIG. 1

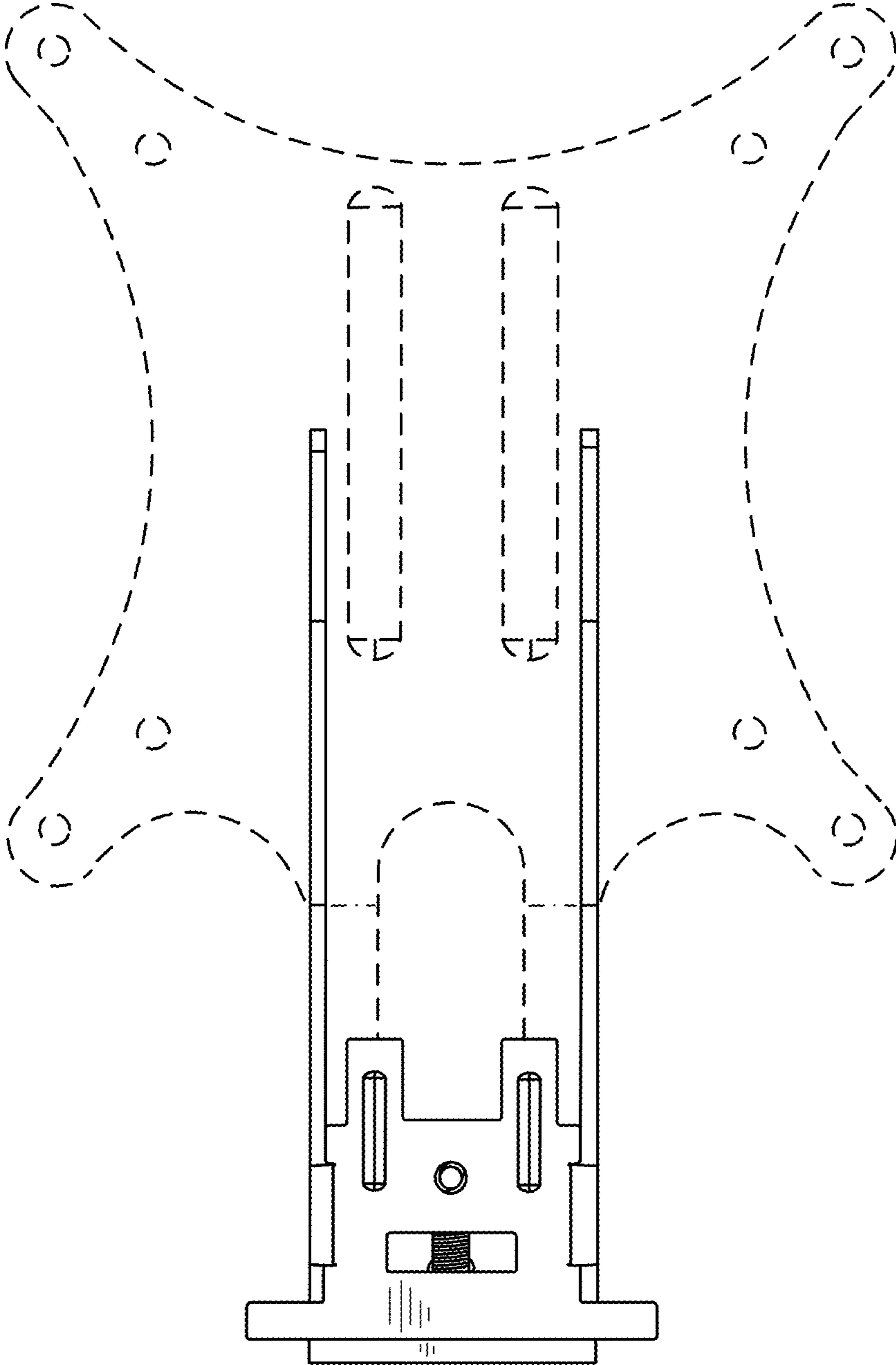


FIG. 2

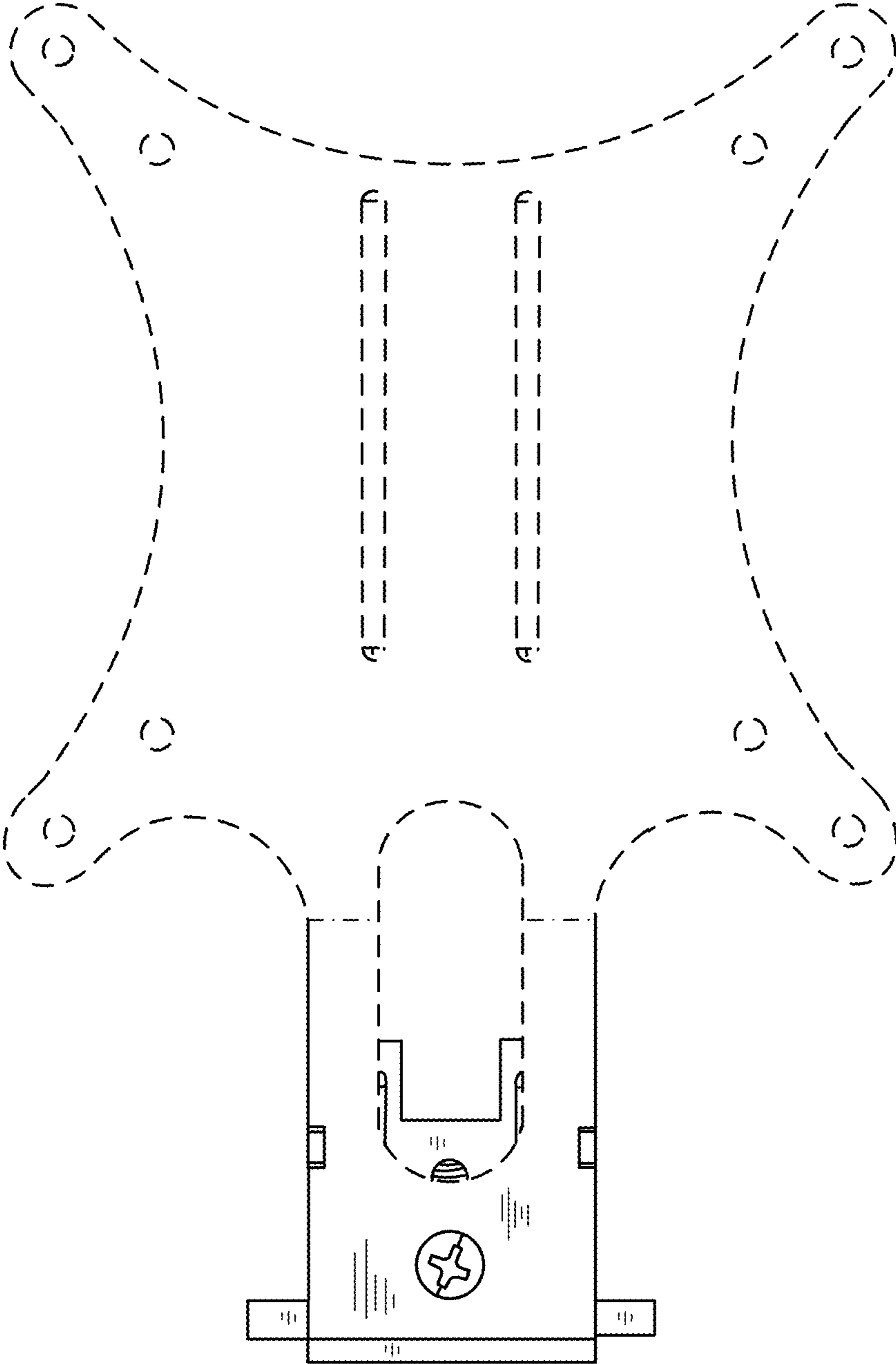


FIG. 3

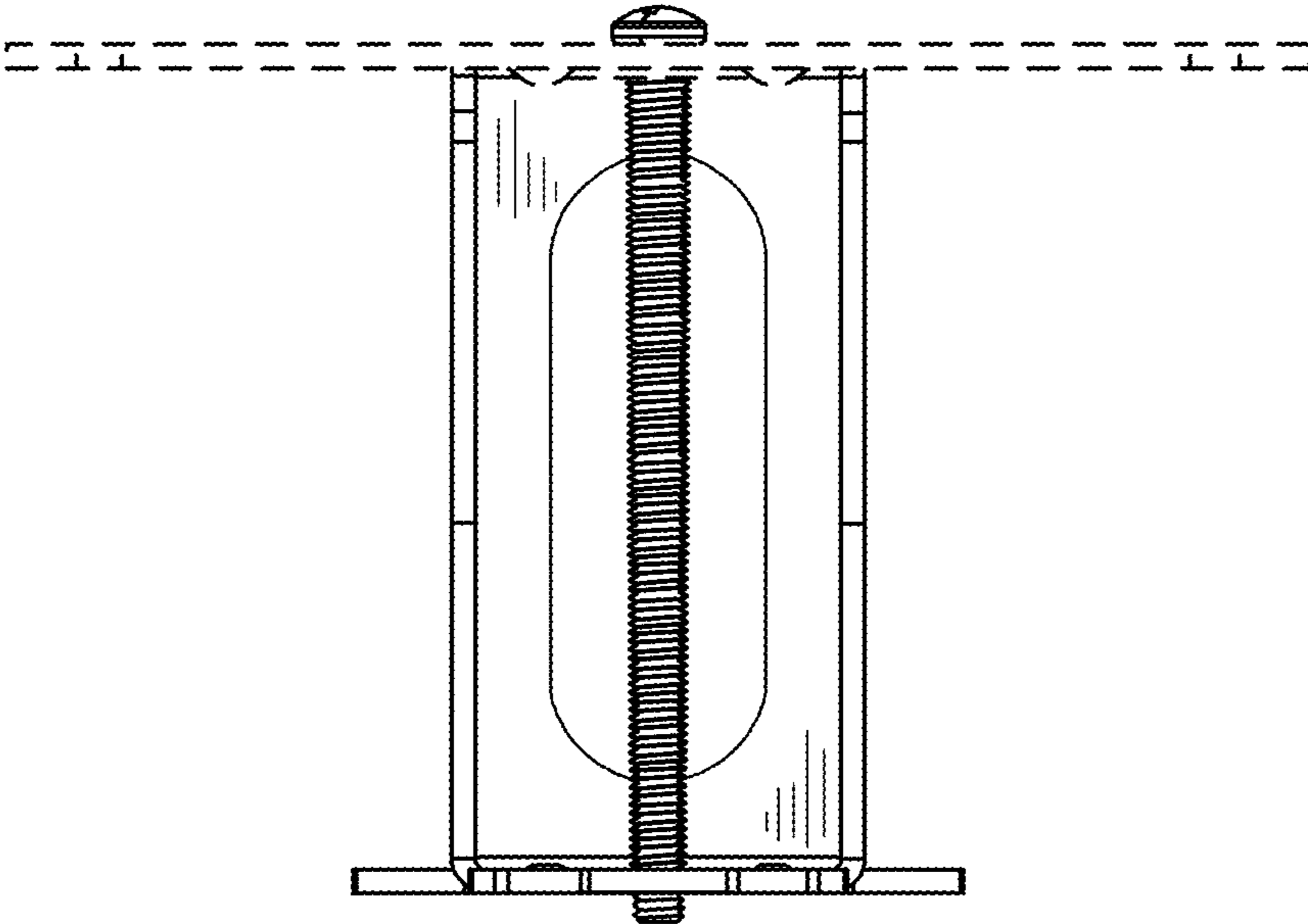


FIG. 4

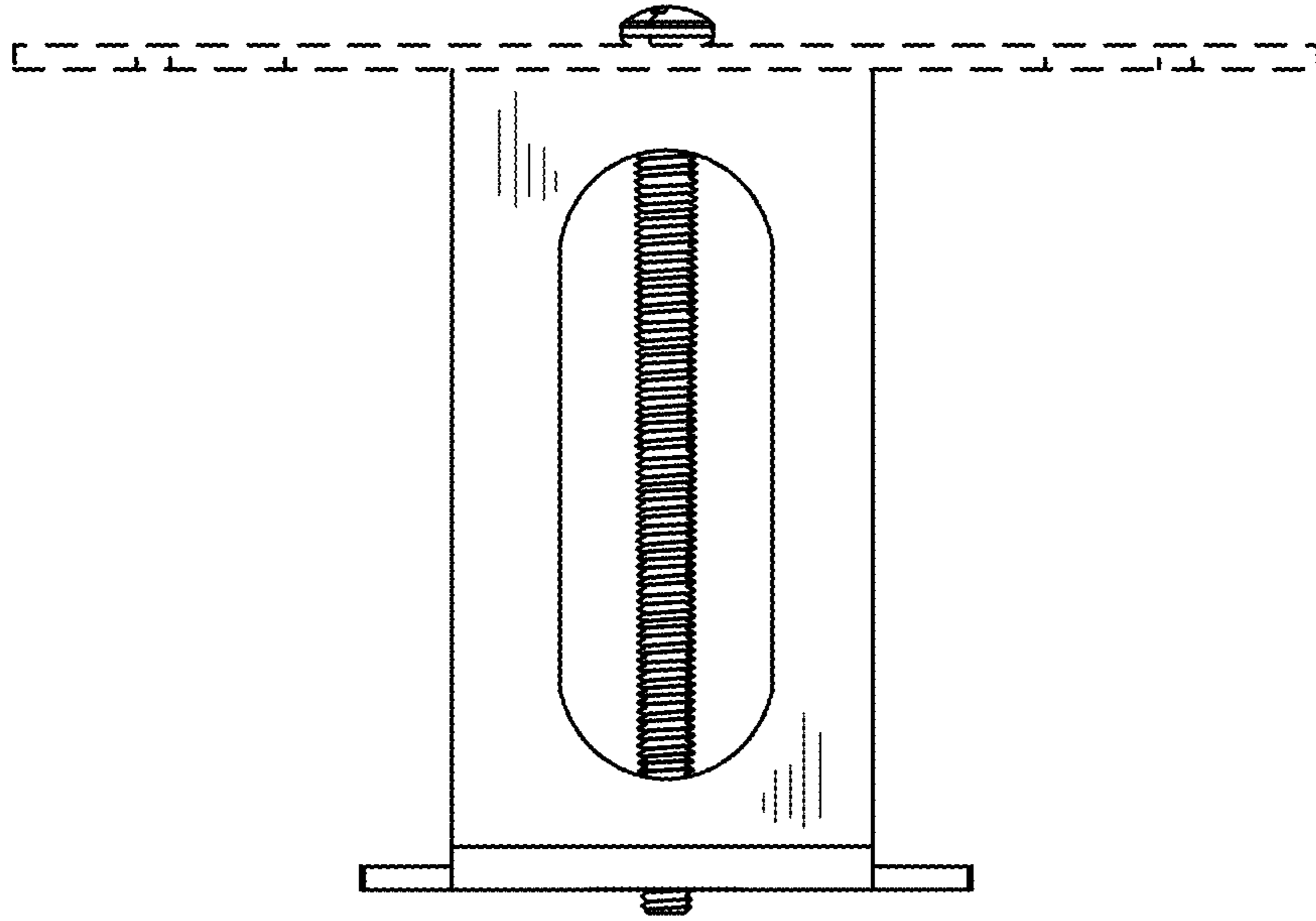


FIG. 5

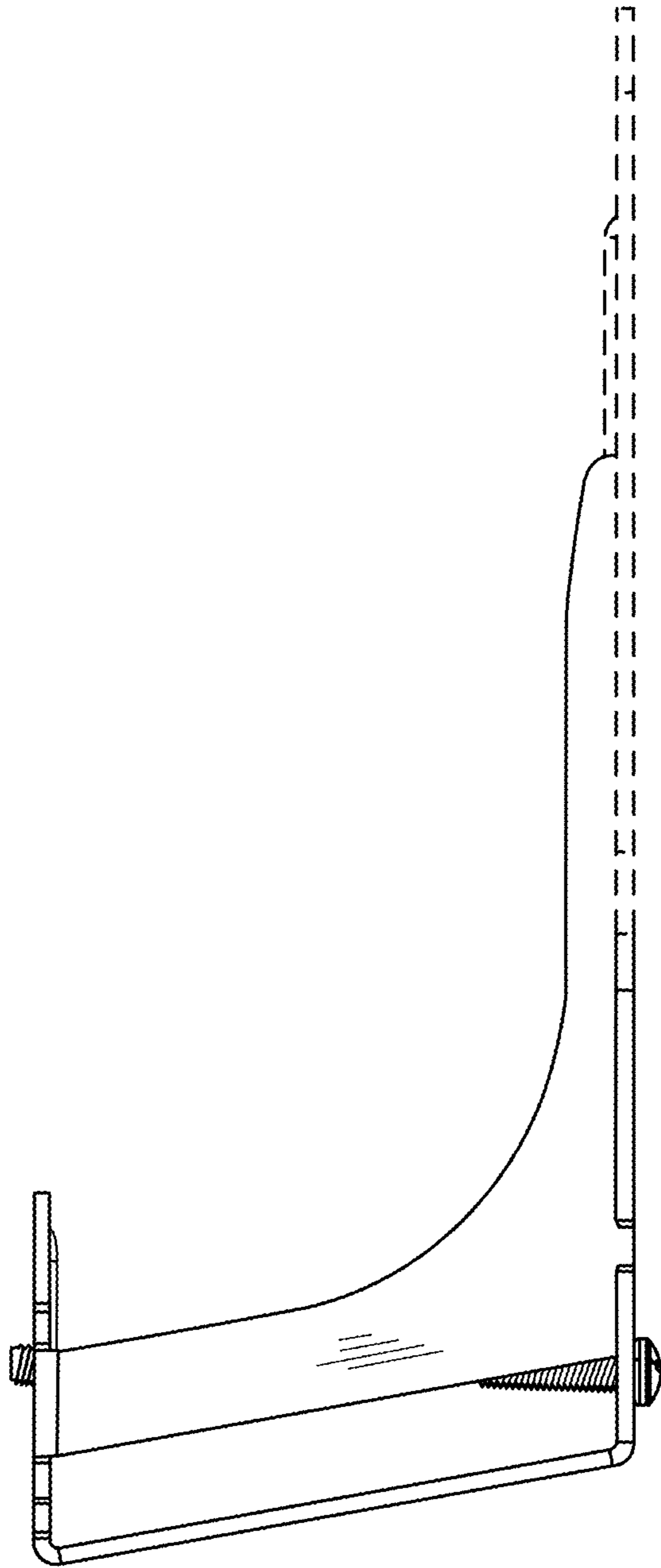


FIG. 6

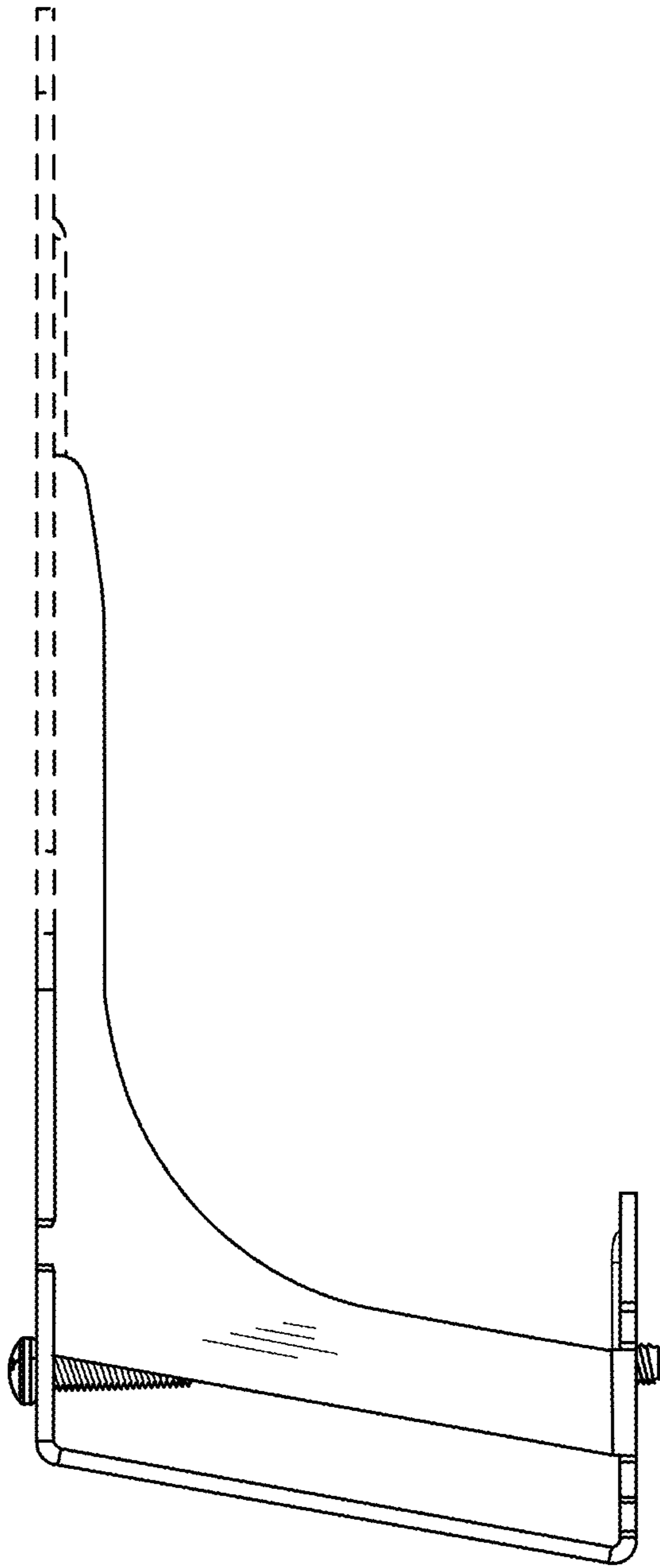


FIG.7