



US00D944630S

(12) **United States Design Patent**  
**Wang**

(10) **Patent No.:** **US D944,630 S**  
(45) **Date of Patent:** **\*\* Mar. 1, 2022**

- (54) **WIRE HOLDER**
- (71) Applicant: **Leiming Wang**, Shenzhen (CN)
- (72) Inventor: **Leiming Wang**, Shenzhen (CN)
- (\*\*) Term: **15 Years**
- (21) Appl. No.: **29/768,649**
- (22) Filed: **Jan. 31, 2021**
- (30) **Foreign Application Priority Data**  
Jan. 19, 2021 (CN) ..... 202130038136.2
- (51) **LOC (13) Cl.** ..... **09-06**
- (52) **U.S. Cl.**  
USPC ..... **D8/356**
- (58) **Field of Classification Search**  
USPC ..... D8/356, 394, 395, 396; 248/74.1, 74.2,  
248/74.3, 74.4  
CPC ..... B60D 1/18; F16L 3/12; B65H 57/16  
See application file for complete search history.

5,020,749	A *	6/1991	Kraus	.....	F16L 3/23 24/16 PB
D347,384	S *	5/1994	White	.....	D8/395
D414,399	S *	9/1999	Nakamura	.....	D8/356
D424,922	S *	5/2000	Sherman	.....	D8/395
6,206,331	B1 *	3/2001	Keith	.....	B60R 16/0215 248/73
D439,833	S *	4/2001	Nakamura	.....	D8/356
D521,366	S *	5/2006	Polak	.....	D8/383
D537,334	S *	2/2007	Lee	.....	D8/396
D580,748	S *	11/2008	Polak	.....	D8/394
D634,011	S *	3/2011	Phillips	.....	D24/143
D644,501	S	9/2011	Chen		
D649,864	S	12/2011	Symons		
D889,254	S *	7/2020	Copete Vilella	.....	D8/394
D899,810	S *	10/2020	Chou	.....	D6/580
2006/0076462	A1 *	4/2006	Ceravalls Pujol	....	F16L 3/1033 248/67.7

\* cited by examiner

*Primary Examiner* — Cynthia R Underwood

(74) *Attorney, Agent, or Firm* — W&KIP

(57) **CLAIM**

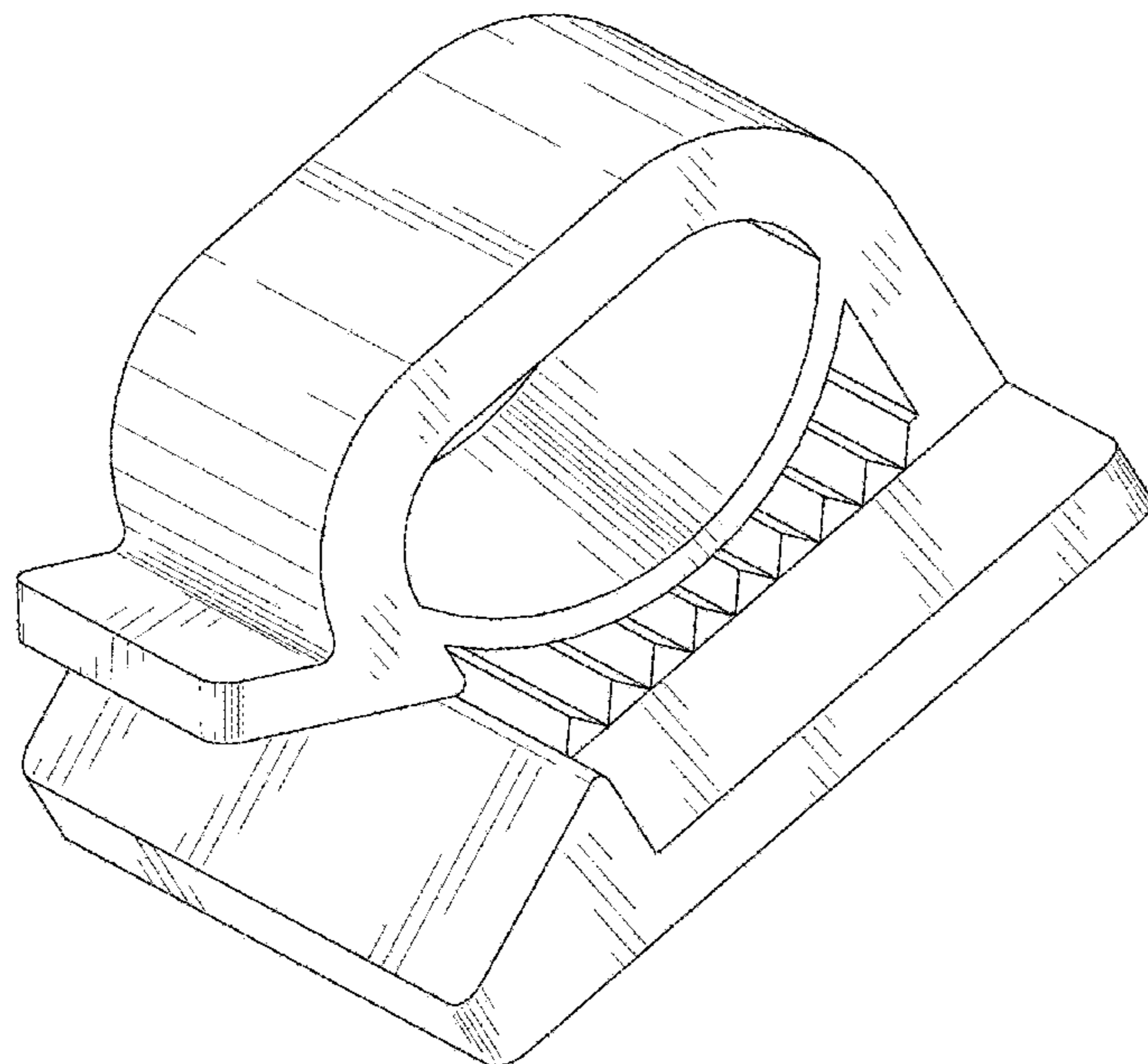
The ornamental design for a wire holder, as shown and described.

**DESCRIPTION**

FIG. 1 is a front view of a wire holder showing my new design;  
FIG. 2 is a rear view thereof;  
FIG. 3 is a left side view thereof;  
FIG. 4 is a right side view thereof;  
FIG. 5 is a top plan view thereof;  
FIG. 6 is a bottom plan view thereof;  
FIG. 7 is a perspective view thereof; and,  
FIG. 8 is another perspective view thereof.

**1 Claim, 8 Drawing Sheets**

- (56) **References Cited**  
U.S. PATENT DOCUMENTS
- 3,163,712 A \* 12/1964 Cochran ..... F16L 3/12  
174/164
- 3,429,985 A \* 2/1969 Czigler ..... F16L 3/12  
174/164
- 3,516,631 A \* 6/1970 Santucci ..... H02G 3/32  
248/71
- 4,317,262 A \* 3/1982 Wells, Jr. .... F16L 3/12  
24/16 PB
- 4,439,896 A \* 4/1984 Matsui ..... F16L 3/08  
24/16 PB
- 4,557,024 A \* 12/1985 Roberts ..... F16L 33/035  
24/20 TT
- 4,609,171 A \* 9/1986 Matsui ..... F16L 3/12  
24/16 PB



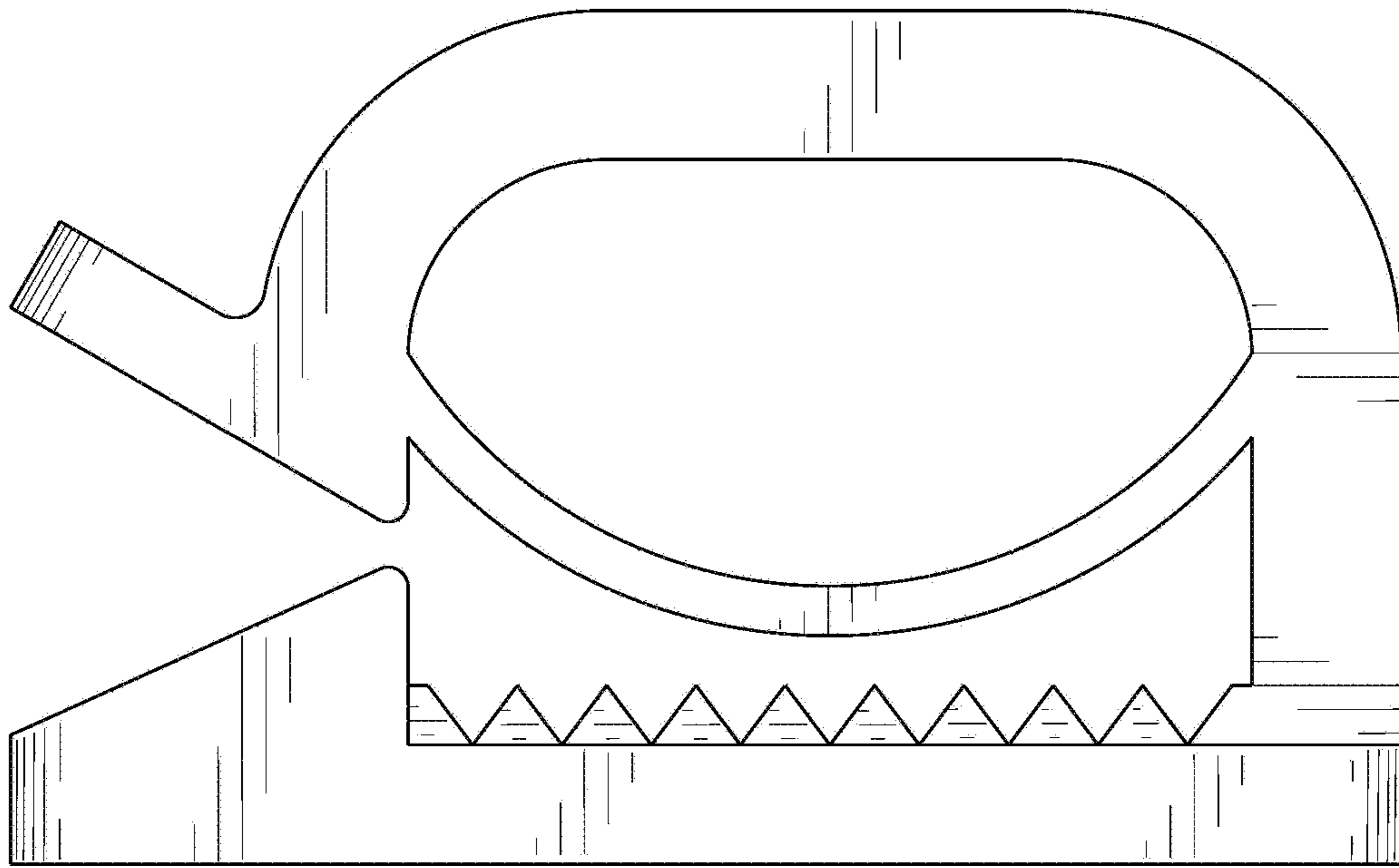


FIG. 1

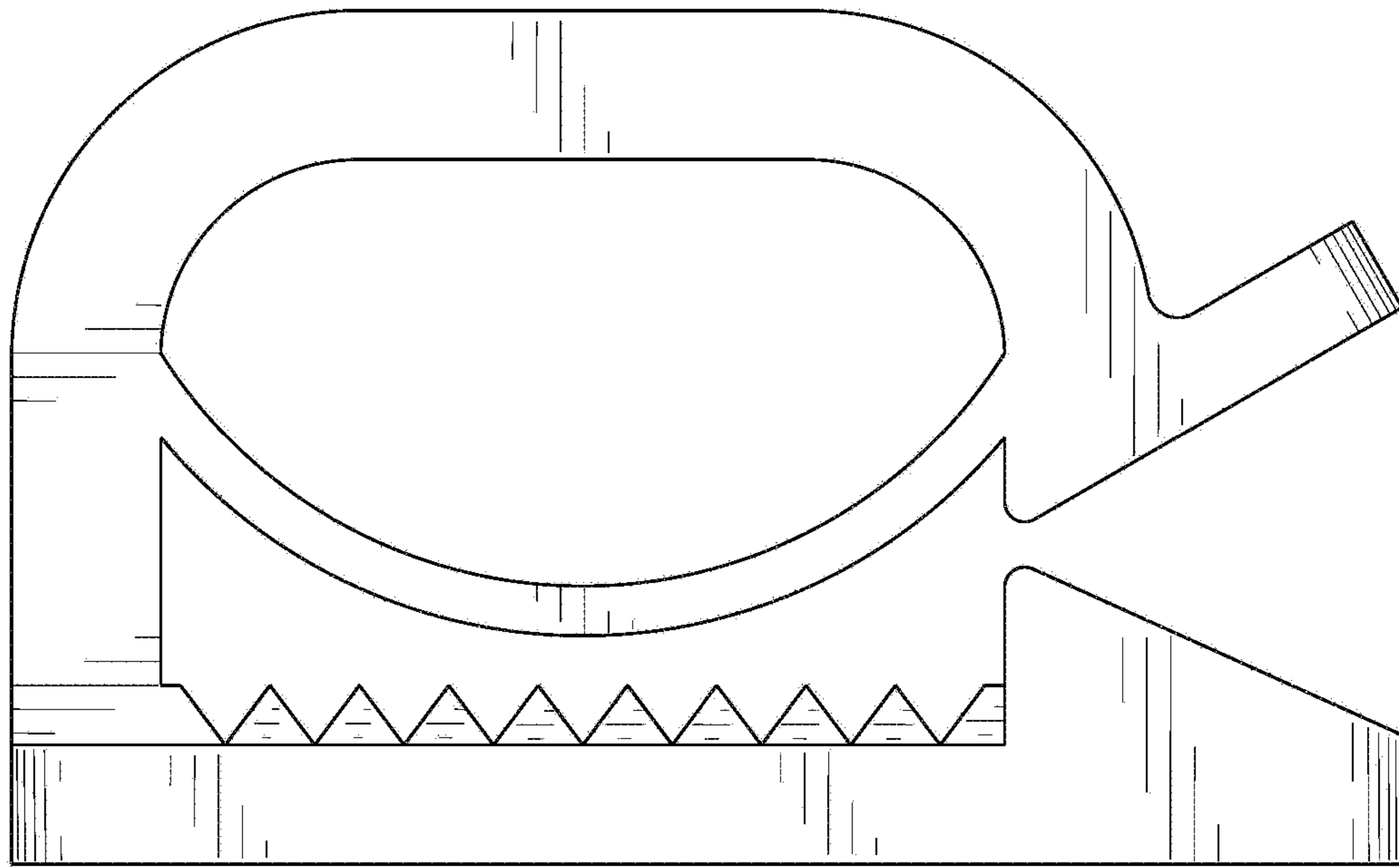


FIG. 2

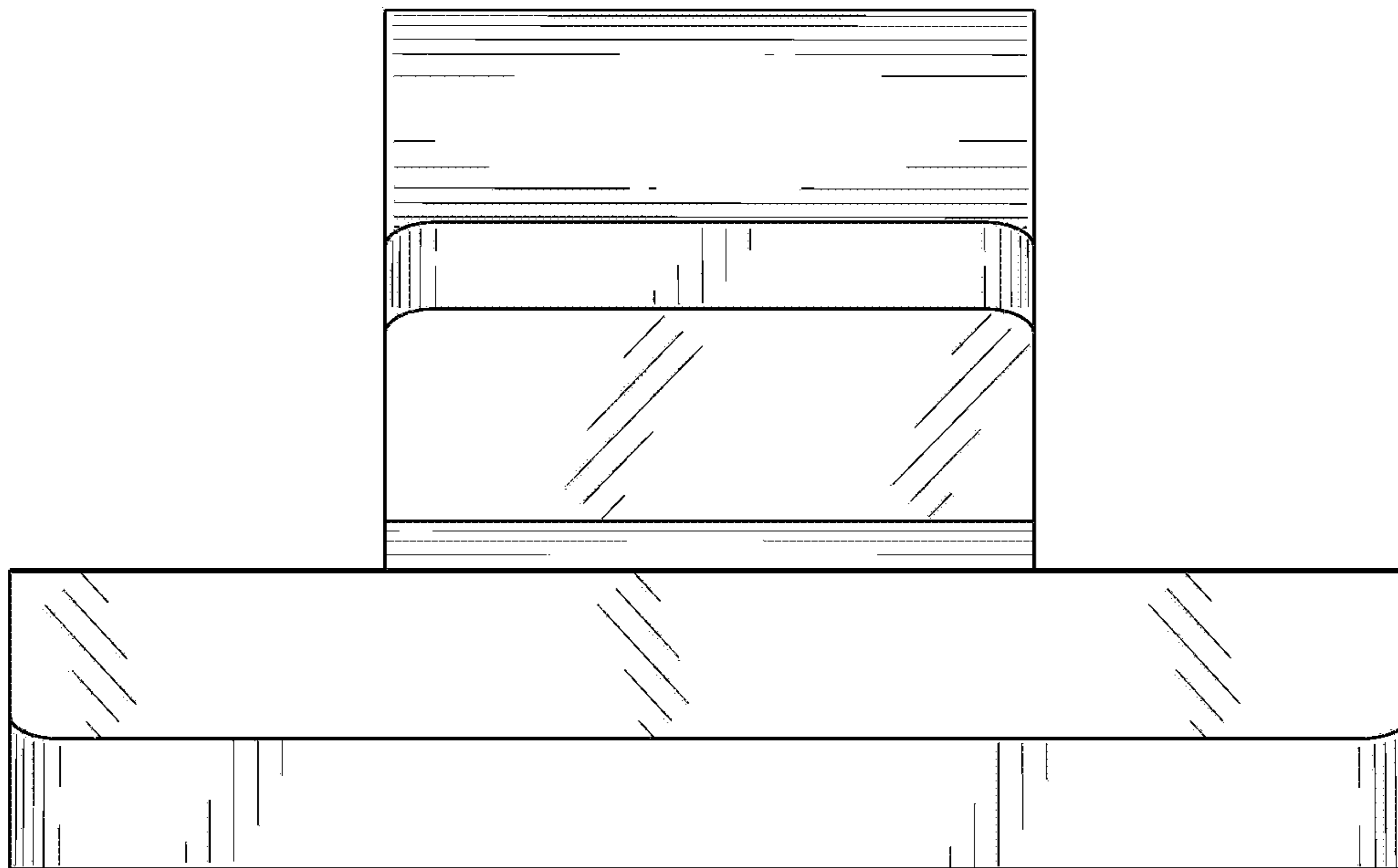


FIG. 3

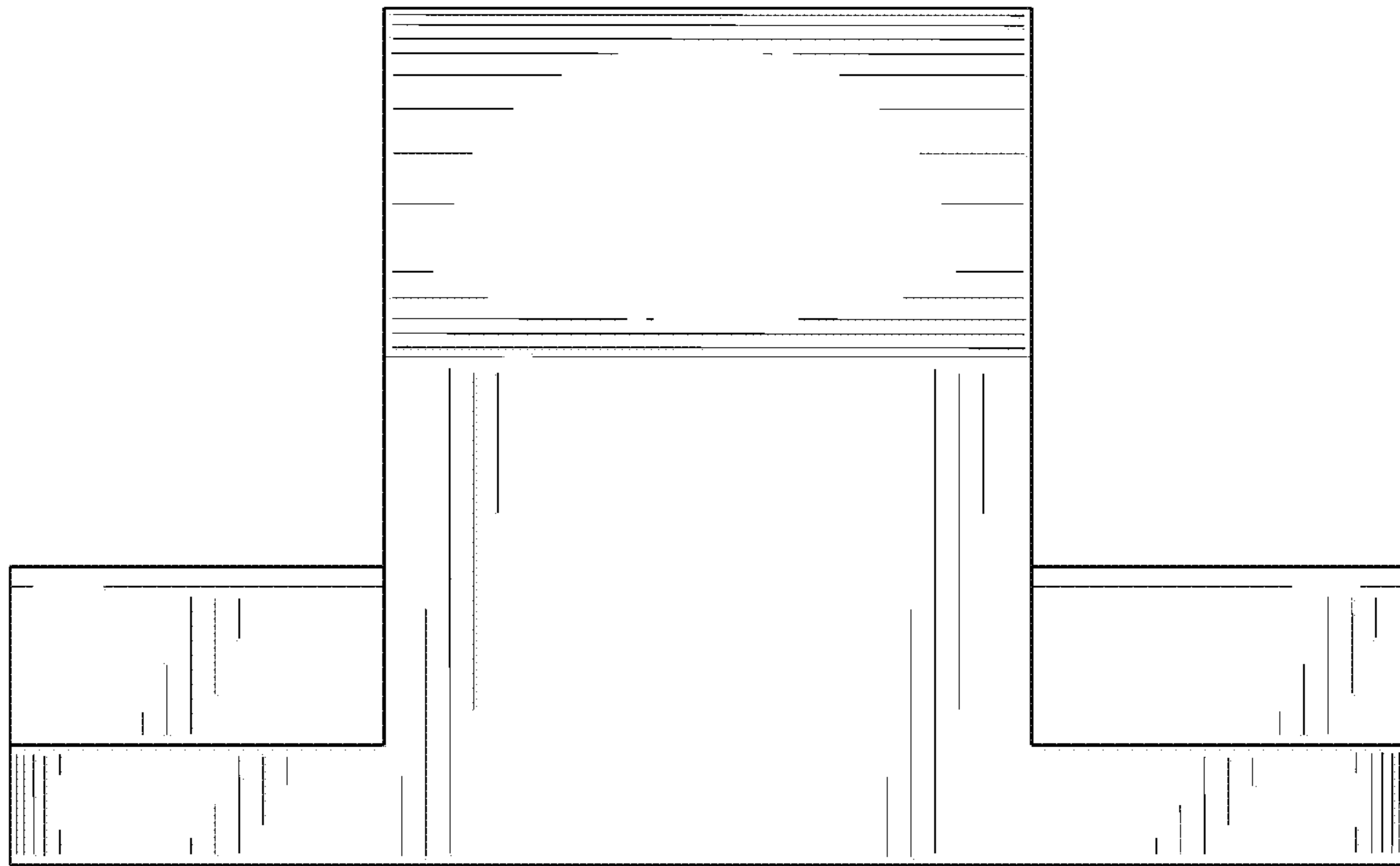


FIG. 4

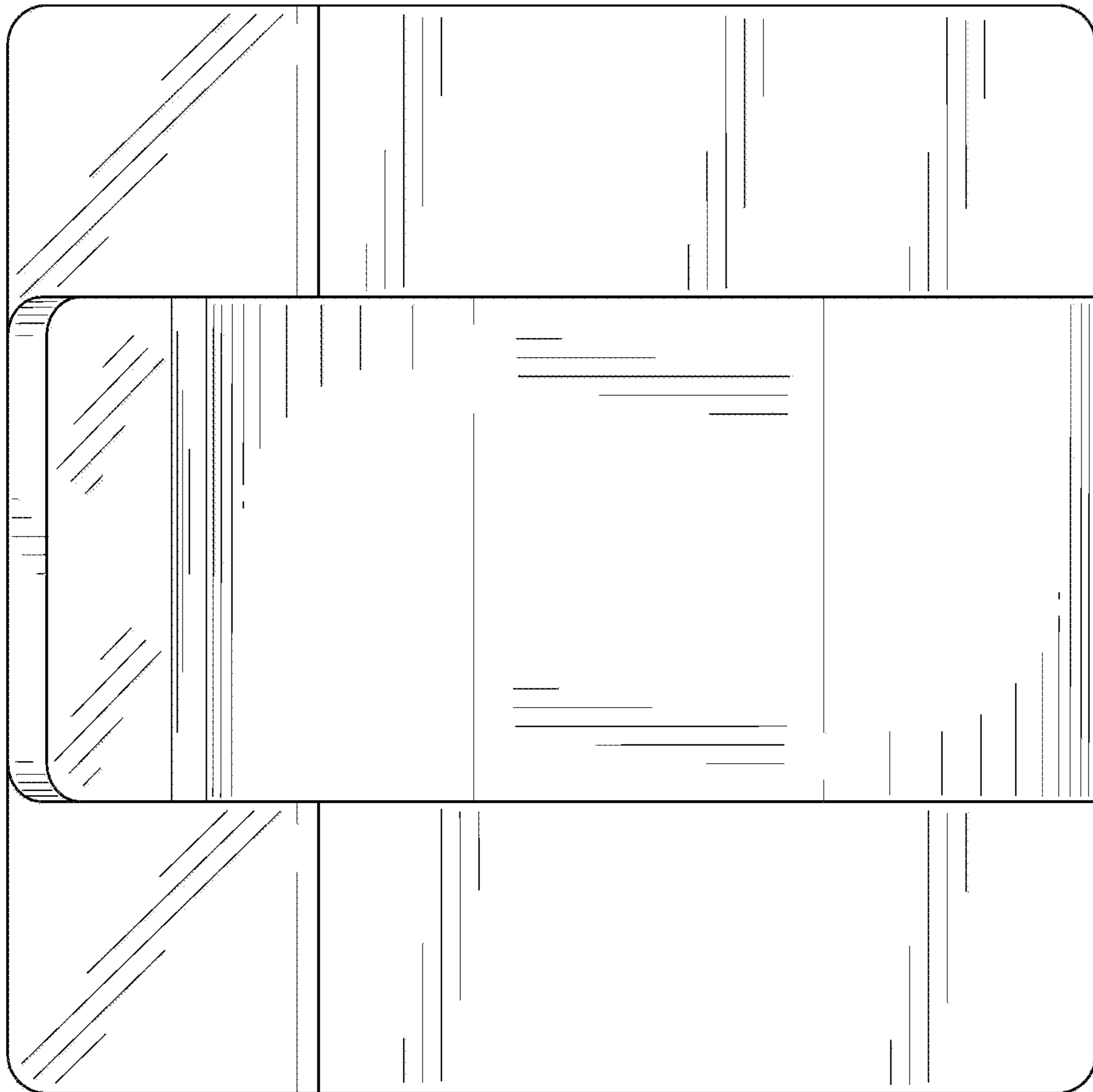
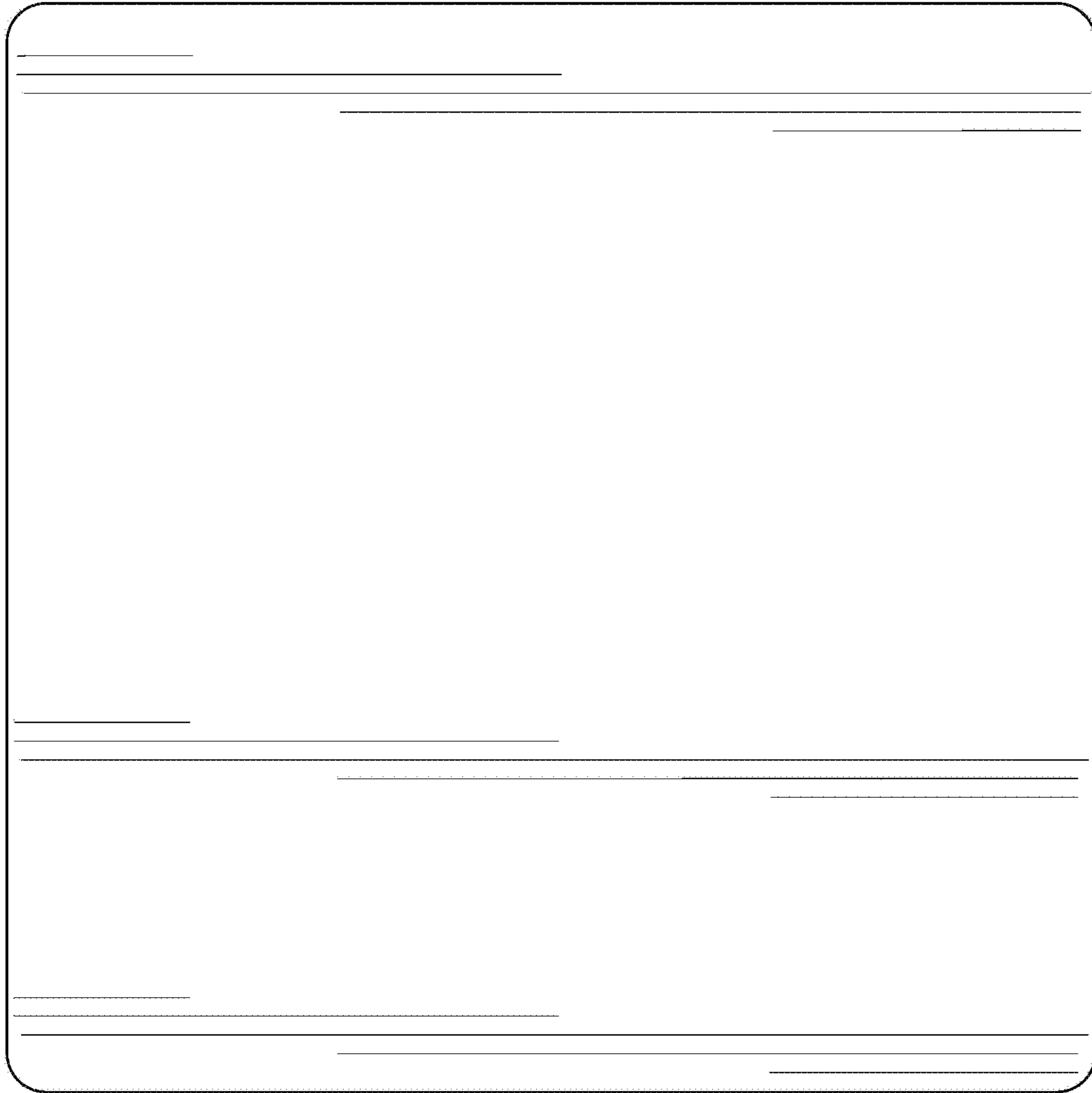


FIG. 5



**FIG. 6**

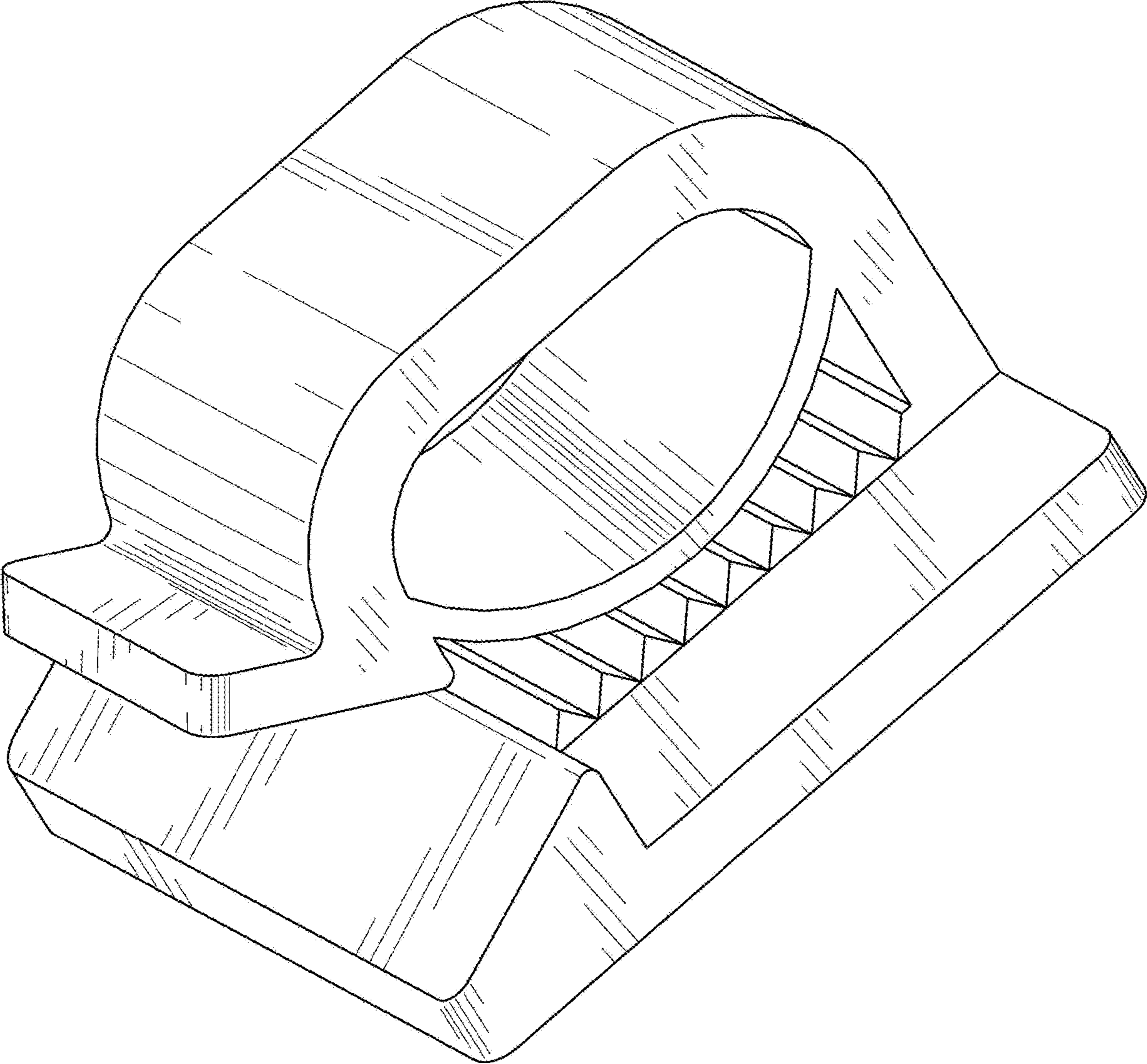


FIG. 7



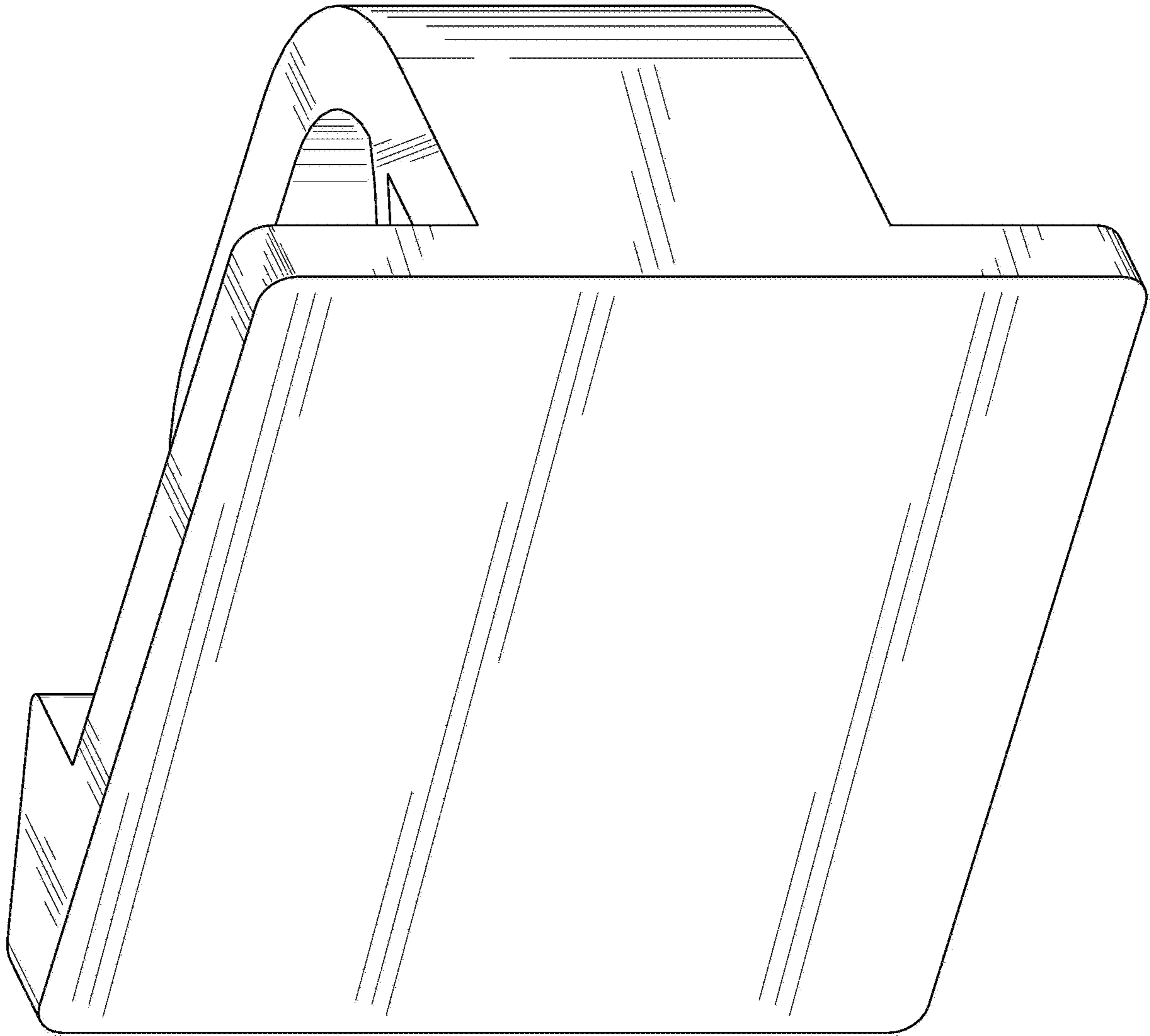


FIG. 8