



US00D944629S

(12) **United States Design Patent**  
**Barrett**

(10) **Patent No.:** **US D944,629 S**

(45) **Date of Patent:** **\*\* Mar. 1, 2022**

- (54) **CORD HOLDING DEVICE**
- (71) Applicant: **Nicholas Barrett**, Naples, FL (US)
- (72) Inventor: **Nicholas Barrett**, Naples, FL (US)
- (\*\*) Term: **15 Years**
- (21) Appl. No.: **29/758,940**
- (22) Filed: **Nov. 19, 2020**
- (51) **LOC (13) Cl.** ..... **09-06**
- (52) **U.S. Cl.**  
USPC ..... **D8/356**
- (58) **Field of Classification Search**  
USPC ..... D8/356, 354, 349, 394; D13/155, 154,  
D13/147; 248/68.1  
CPC ..... B63B 59/02; B63B 21/045; H02G 7/12  
See application file for complete search history.

- D691,875 S \* 10/2013 Ganski ..... D8/356
- D691,878 S \* 10/2013 Ganski ..... D8/356
- D720,606 S \* 1/2015 Mathews ..... D8/356
- 8,998,151 B2 \* 4/2015 Hoek ..... H02G 3/32  
248/68.1
- D728,349 S \* 5/2015 Lake ..... D8/356
- D732,935 S \* 6/2015 Egami ..... D8/356
- D733,535 S \* 7/2015 Egami ..... D8/356
- D743,048 S \* 11/2015 Kuran ..... D24/231
- D749,209 S \* 2/2016 Uhlenkamp ..... D24/128
- D755,043 S \* 5/2016 Bailey ..... D8/394
- D774,002 S 12/2016 Hsieh
- 9,575,278 B2 \* 2/2017 Leclerc ..... G02B 6/4471

(Continued)

*Primary Examiner* — Cynthia R Underwood  
(74) *Attorney, Agent, or Firm* — Jason H. Vick; Sheridan Ross, PC

(57) **CLAIM**

The ornamental design for a cord holding device, as shown and described.

(56) **References Cited**

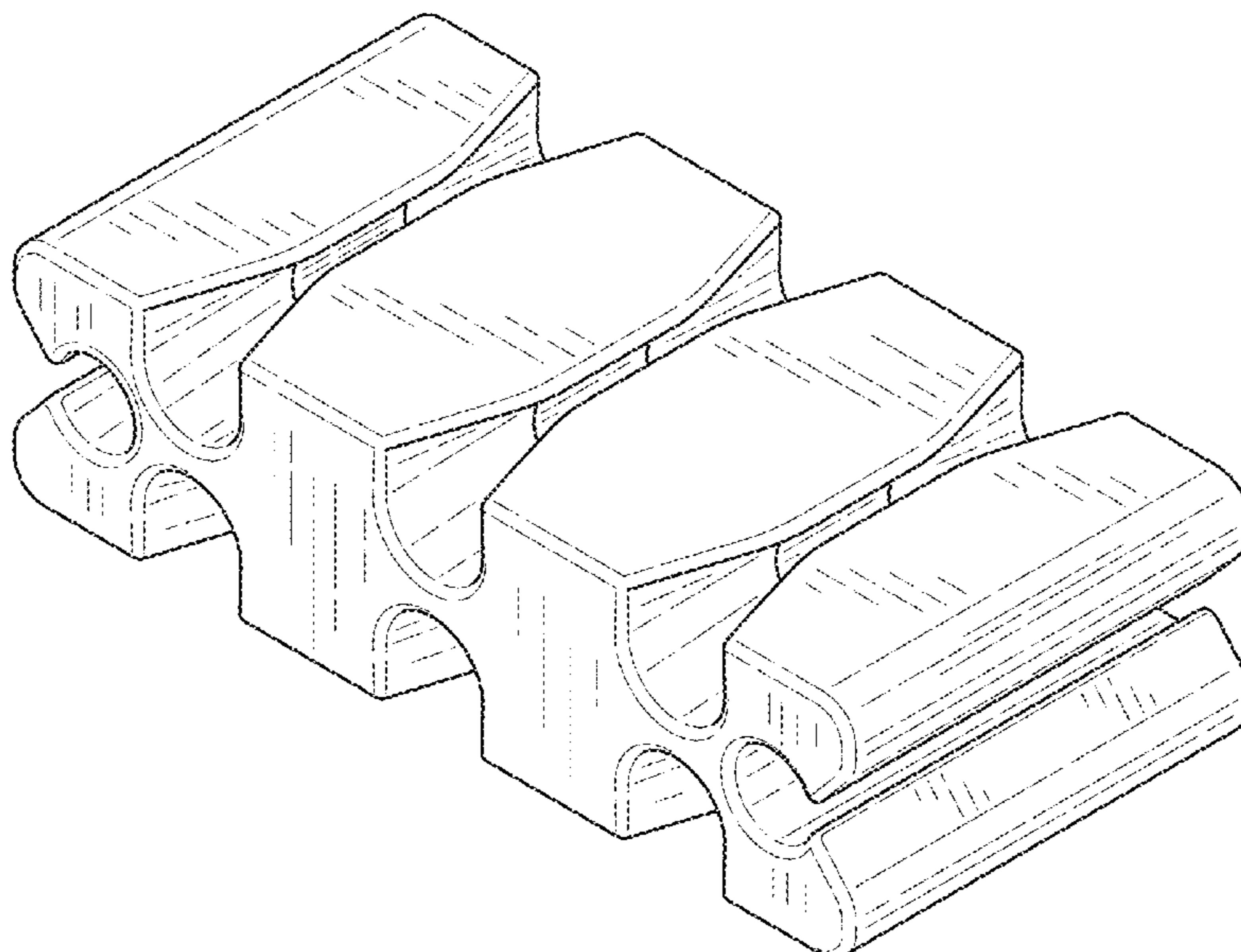
**U.S. PATENT DOCUMENTS**

- 5,316,246 A \* 5/1994 Scott ..... A61M 5/1418  
248/68.1
- 6,360,051 B1 \* 3/2002 Daoud ..... G02B 6/3801  
385/134
- D488,054 S \* 4/2004 Myers ..... D8/356
- H2203 H \* 10/2007 Borchardt ..... D8/396
- D568,723 S \* 5/2008 Morgan ..... D8/356
- 7,394,963 B2 \* 7/2008 Hartlef ..... G02B 6/4471  
385/134
- D612,225 S \* 3/2010 Forte ..... D8/356
- D638,690 S \* 5/2011 Hoek ..... D8/356
- D638,691 S \* 5/2011 Hoek ..... D8/356
- D638,692 S \* 5/2011 Hoek ..... D8/356
- D639,145 S \* 6/2011 Hoek ..... D8/356
- D639,146 S \* 6/2011 Hoek ..... D8/356
- D640,527 S \* 6/2011 Hoek ..... D8/356
- D644,501 S \* 9/2011 Chen ..... D8/356
- D657,869 S \* 4/2012 Mammen ..... D24/128
- 8,294,030 B2 \* 10/2012 Pollard, Jr. .... H02G 3/24  
174/155

**DESCRIPTION**

FIG. 1 is a top perspective view of a cord holding device of the claimed design;  
 FIG. 2 is a bottom perspective view of the cord holding device of FIG. 1;  
 FIG. 3 is a top plan view of the cord holding device of FIG. 1;  
 FIG. 4 is a bottom plan view of the cord holding device of FIG. 1;  
 FIG. 5 is a right elevation view of the cord holding device of FIG. 1;  
 FIG. 6 is a left elevation view of the cord holding device of FIG. 1;  
 FIG. 7 is a front elevation view of the cord holding device of FIG. 1; and,  
 FIG. 8 is a rear elevation view of the cord holding device of FIG. 1.

**1 Claim, 5 Drawing Sheets**



(56)

References Cited

U.S. PATENT DOCUMENTS

9,618,143	B2 *	4/2017	Noble .....	F16L 3/243
D790,127	S *	6/2017	Verleur .....	D27/183
D803,164	S *	11/2017	Noble .....	D13/155
9,853,436	B2 *	12/2017	Simon .....	H02G 7/12
D835,497	S	12/2018	Rindy et al.	
D852,354	S *	6/2019	Wrangmark .....	D24/128
D853,336	S *	7/2019	Barram .....	D13/155
D858,457	S *	9/2019	Maggard .....	D13/155
D866,480	S	11/2019	Hoshikawa	
D886,991	S *	6/2020	Kindler .....	D24/128
D886,992	S *	6/2020	Kindler .....	D24/128
D907,988	S *	1/2021	Yu .....	D8/356
D909,188	S *	2/2021	Kou .....	D8/356
D910,572	S *	2/2021	Yang .....	D13/139.2
D928,311	S *	8/2021	McVaney .....	D24/128
D930,459	S *	9/2021	Breines .....	D8/356
2001/0035295	A1 *	11/2001	Cipollone .....	H02G 3/26 174/72 A
2004/0118982	A1 *	6/2004	Shillings .....	F16L 3/223 248/68.1
2005/0189453	A1 *	9/2005	DeGuevara .....	H02G 3/305 248/68.1
2007/0235597	A1 *	10/2007	Winchester .....	F16L 3/223 248/68.1
2009/0065249	A1 *	3/2009	Silvers .....	H02G 3/30 174/72 A
2011/0147542	A1 *	6/2011	Hoek .....	F16L 3/223 248/68.1

\* cited by examiner

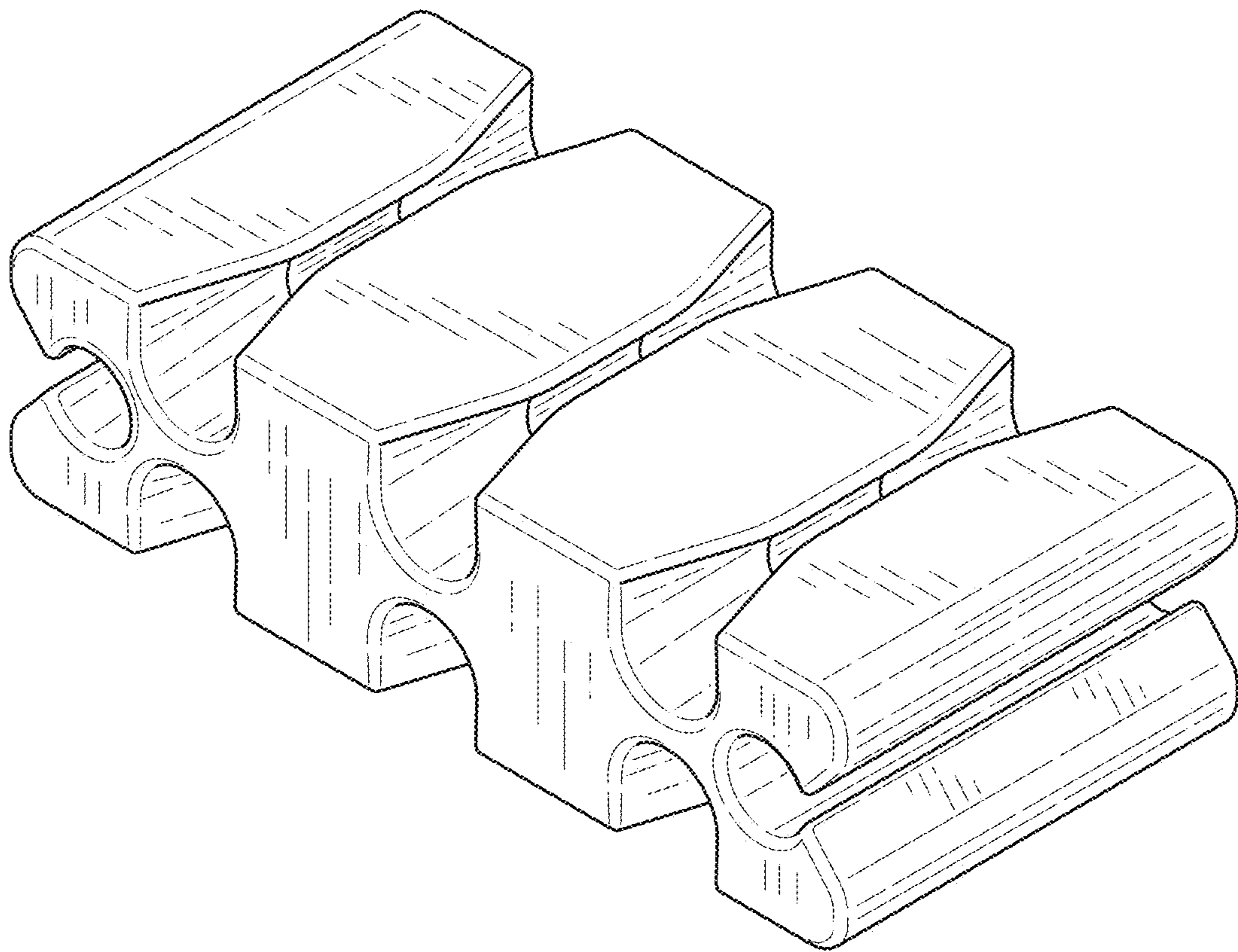


FIG.1

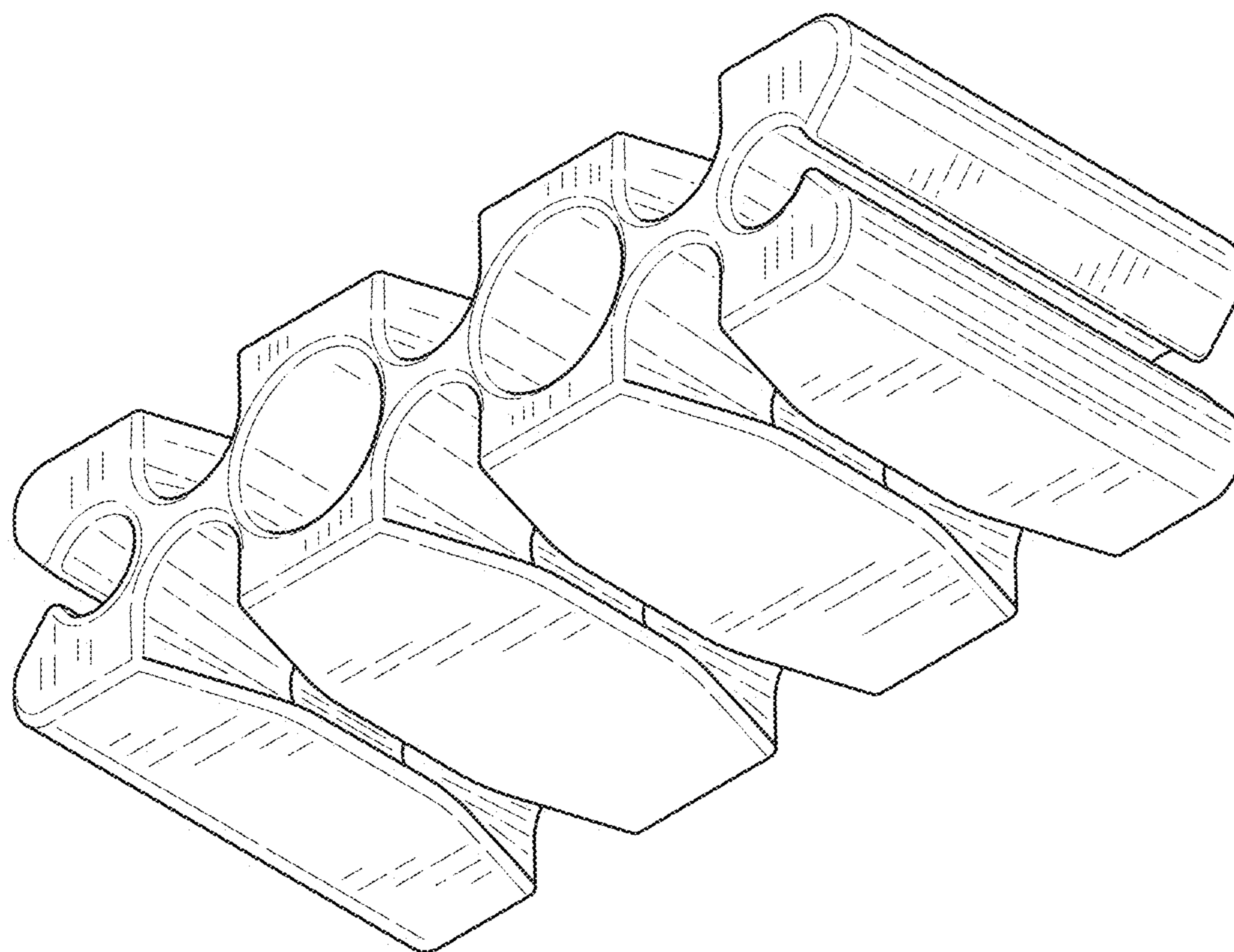


FIG.2

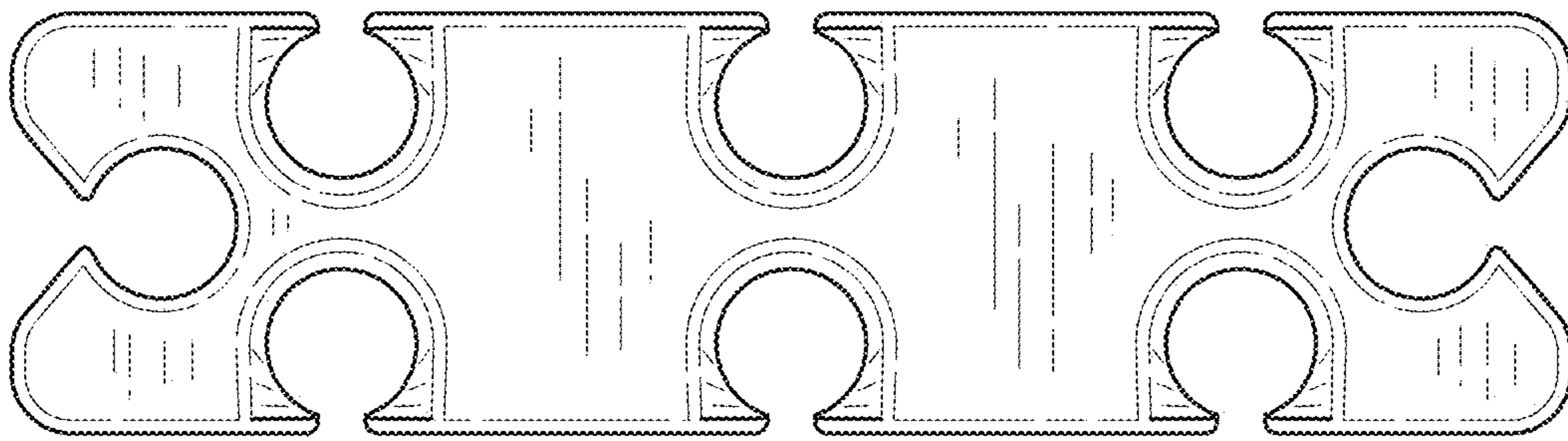


FIG.3

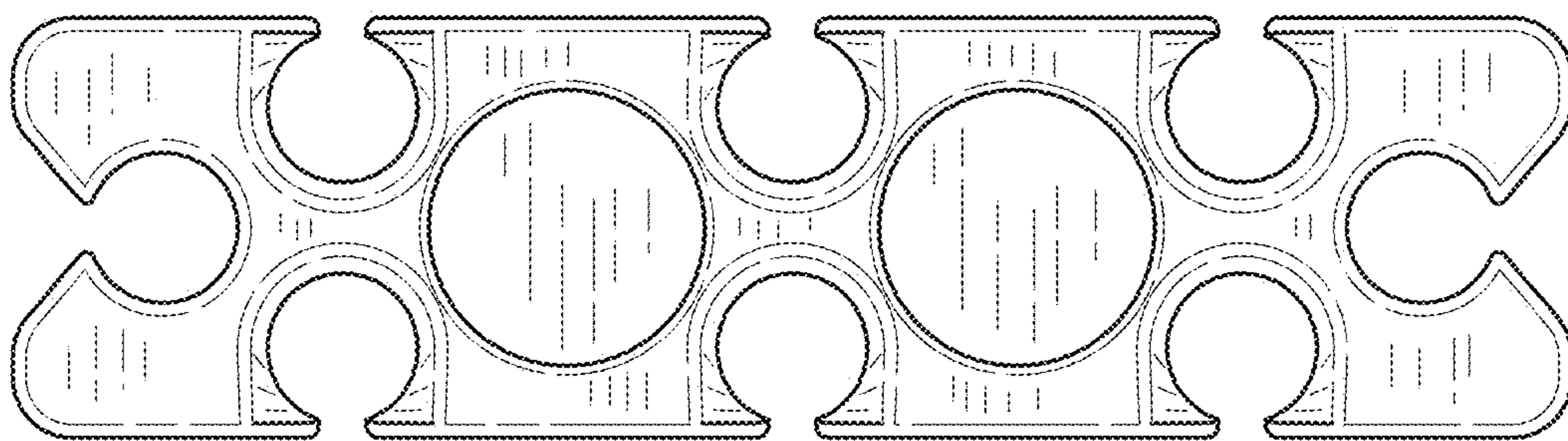


FIG.4

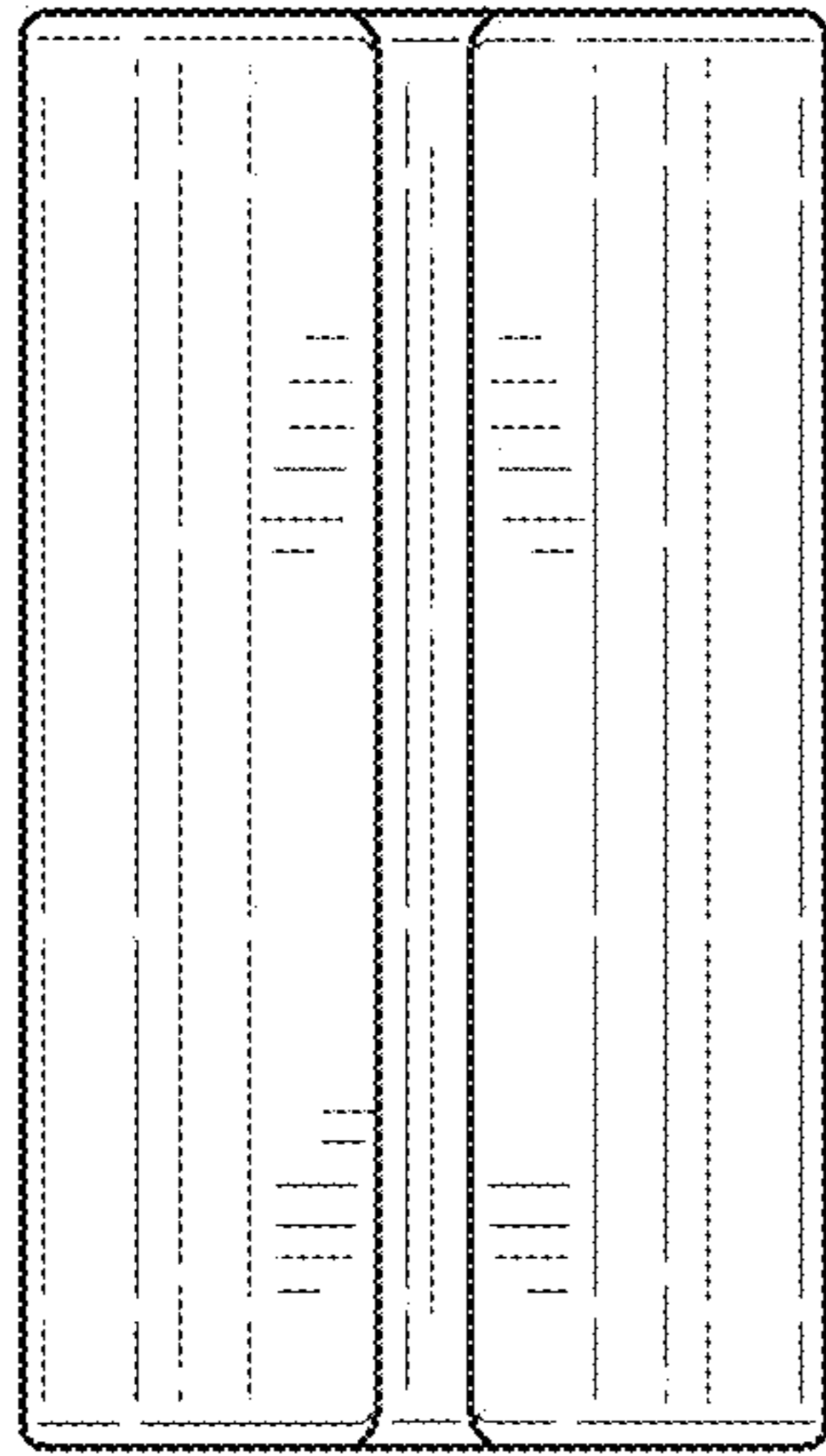


FIG. 5

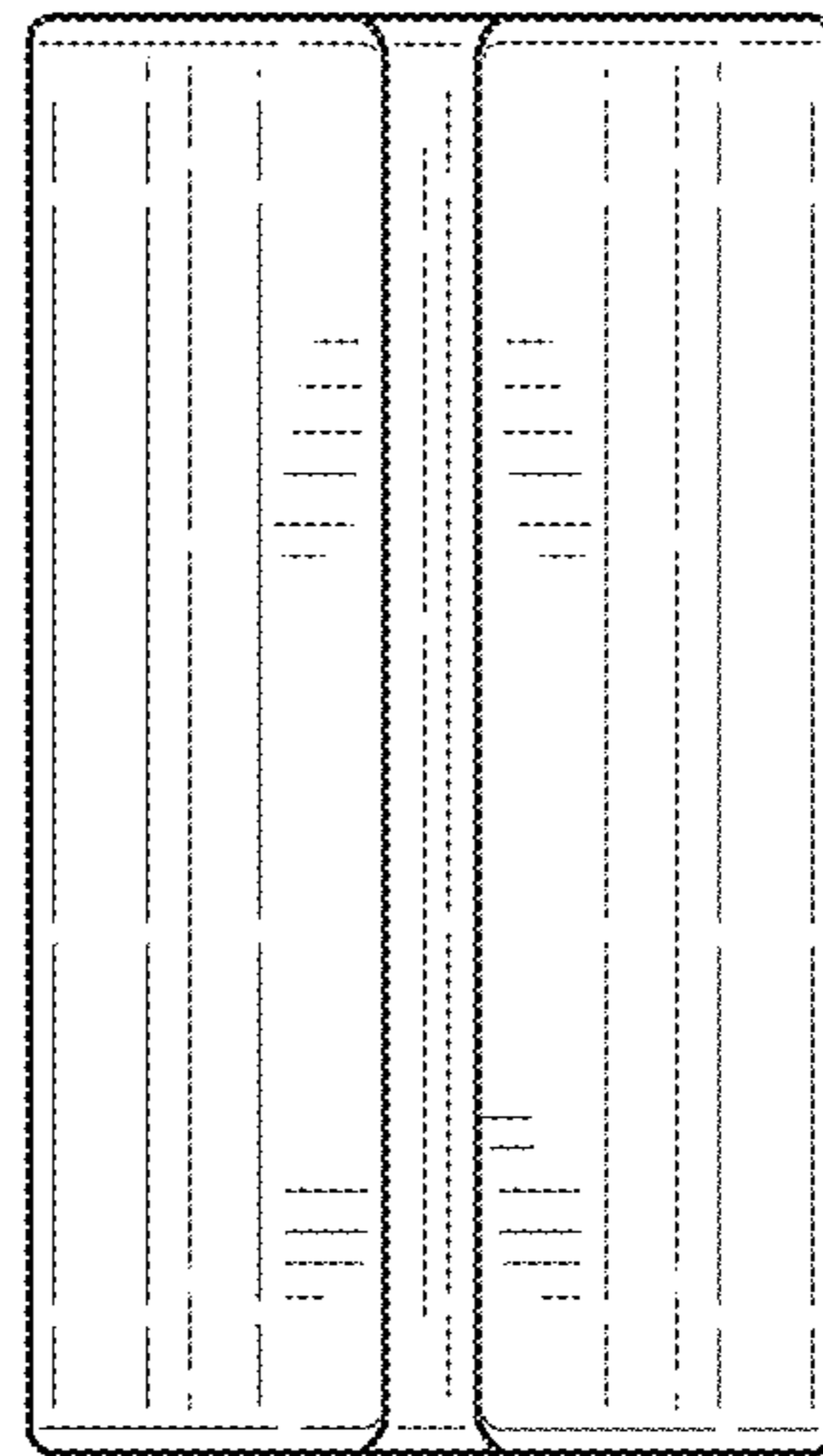


FIG. 6

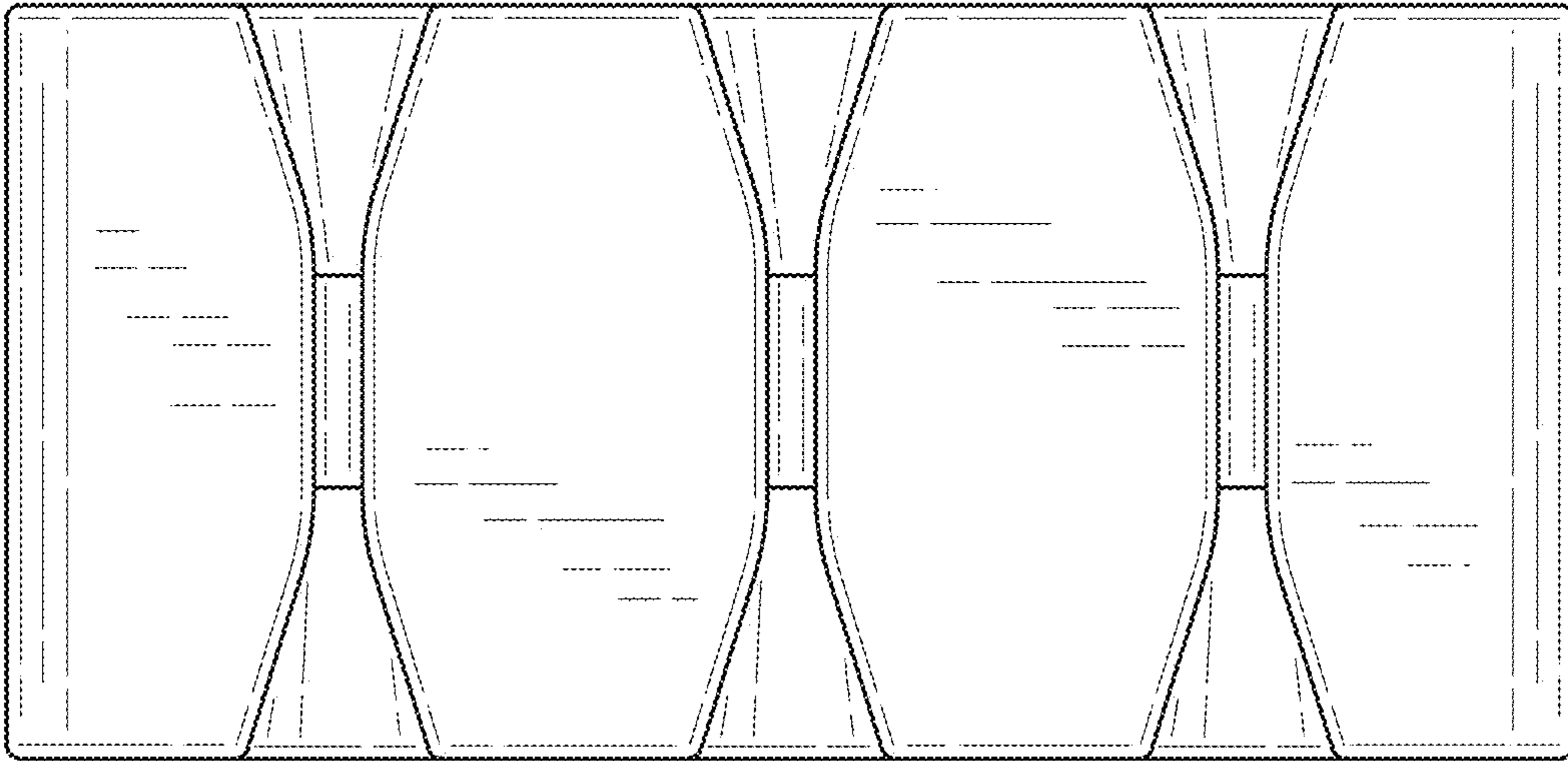


FIG. 7

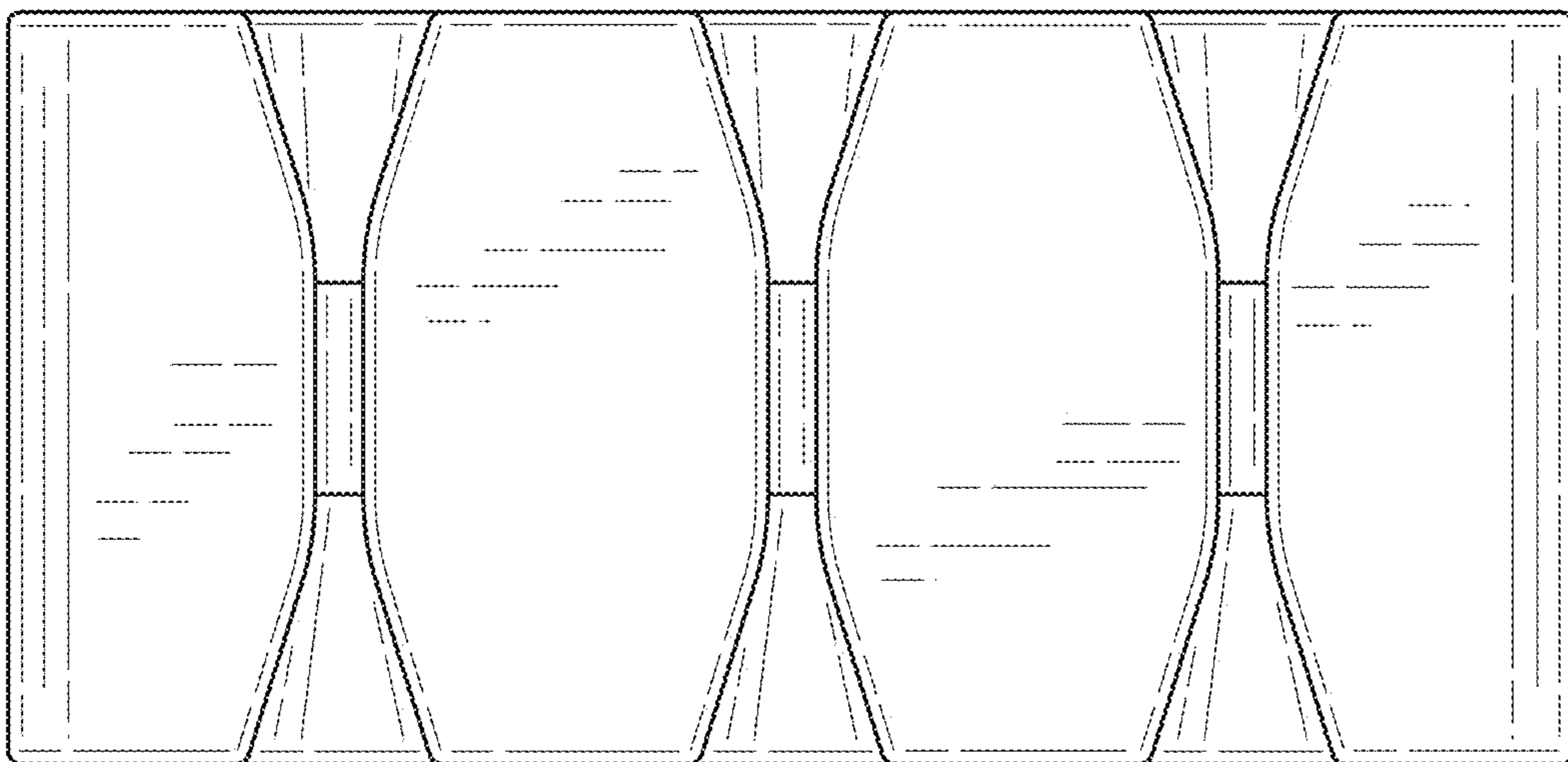


FIG. 8