



US00D944628S

(12) **United States Design Patent** (10) **Patent No.:** **US D944,628 S**
Li (45) **Date of Patent:** **** Mar. 1, 2022**

(54) **GARDEN HOSE HOLDER**
(71) Applicant: **Hairu Chen**, Guangzhou (CN)
(72) Inventor: **Chunhui Li**, Guangzhou (CN)
(**) Term: **15 Years**
(21) Appl. No.: **29/743,660**
(22) Filed: **Jul. 23, 2020**
(51) **LOC (13) Cl.** **09-06**
(52) **U.S. Cl.**
USPC **D8/356**
(58) **Field of Classification Search**
USPC D6/678.4; D8/356, 354, 349, 358, 373,
D8/379, 359; 248/68.1, 89; 137/355.16;
242/400.1; 211/60.1
CPC B65G 7/12; A62C 33/04; B65H 75/366
See application file for complete search history.

(56) **References Cited**
U.S. PATENT DOCUMENTS
355,924 A * 1/1887 Pavel B65H 75/366
248/89
D334,529 S * 4/1993 Guilbert D6/678.4
5,634,615 A * 6/1997 Shuen B65H 75/366
211/60.1
5,699,987 A * 12/1997 Romaneschi A62C 33/04
137/355.16
6,059,215 A * 5/2000 Finnis B65H 75/366
242/400.1
6,079,675 A * 6/2000 Hsu B65G 7/12
248/68.1

D554,979 S * 11/2007 Hsu D8/356
D714,127 S * 9/2014 Zavala D8/356
D724,934 S * 3/2015 Lu D8/356
D736,547 S * 8/2015 Morales D6/678.4
D798,131 S * 9/2017 Agneessens D8/373
D878,907 S * 3/2020 Sotis D8/356
D903,473 S * 12/2020 Peng D8/356
D903,474 S * 12/2020 Peng D8/356
D928,597 S * 8/2021 Nucci D8/373
2014/0367533 A1 * 12/2014 Harris B65H 75/366
248/89
2021/0284482 A1 * 9/2021 Cockerell B65H 75/08

OTHER PUBLICATIONS

<https://www.amazon.com/dp/B0836FC8HM>; Apr. 24, 2020.

* cited by examiner

Primary Examiner — Cynthia R Underwood
(74) *Attorney, Agent, or Firm* — Rumit Ranjit Kanakia

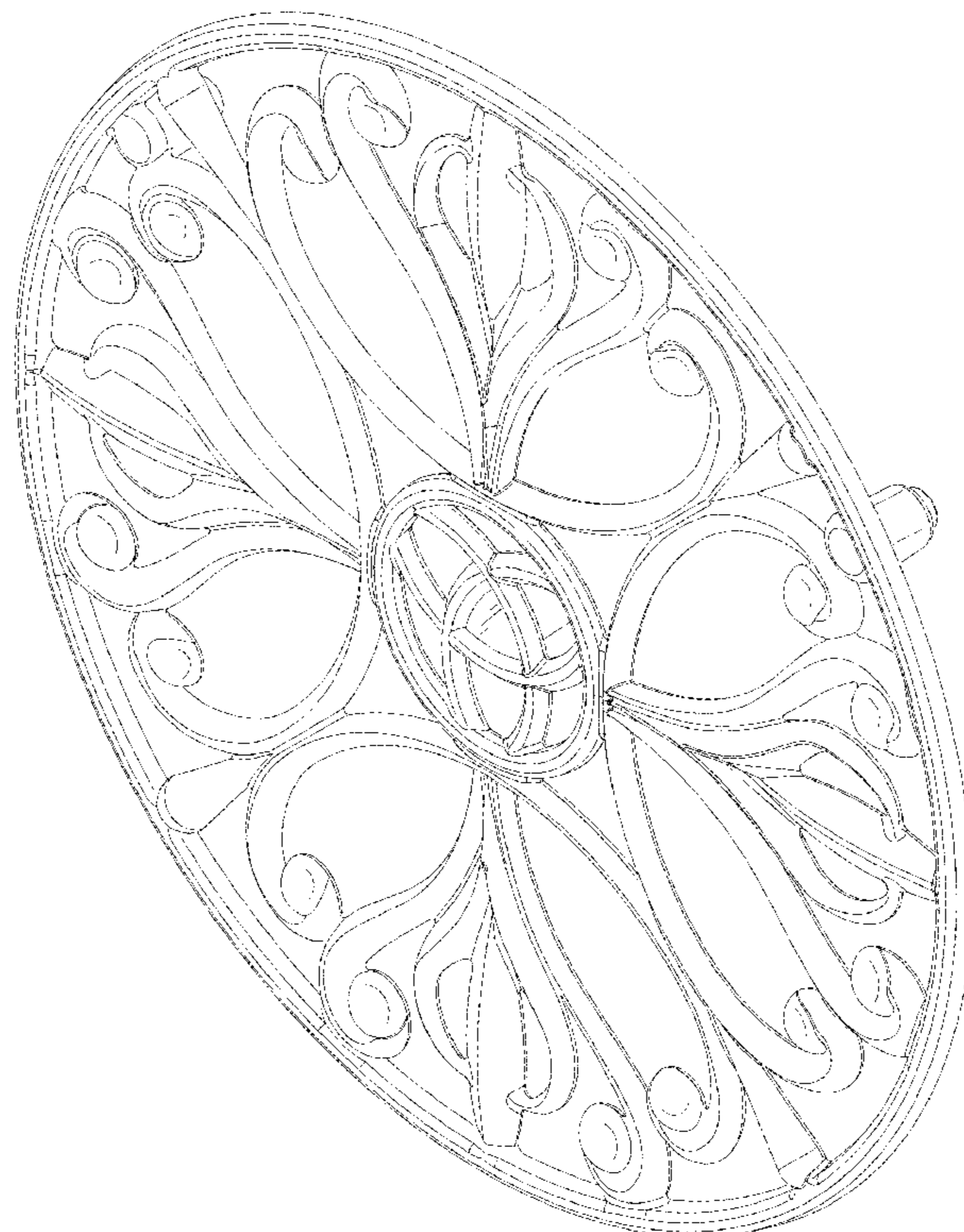
(57) **CLAIM**

I claim the ornamental design for a garden hose holder, as shown and described.

DESCRIPTION

FIG. 1 is a Perspective view of a garden hose holder showing my new design;
FIG. 2 is a Front view thereof;
FIG. 3 is a Back view thereof;
FIG. 4 is a Right-side view thereof;
FIG. 5 is a Left-side view thereof;
FIG. 6 is a Top view thereof; and,
FIG. 7 is a Bottom view thereof.

1 Claim, 5 Drawing Sheets



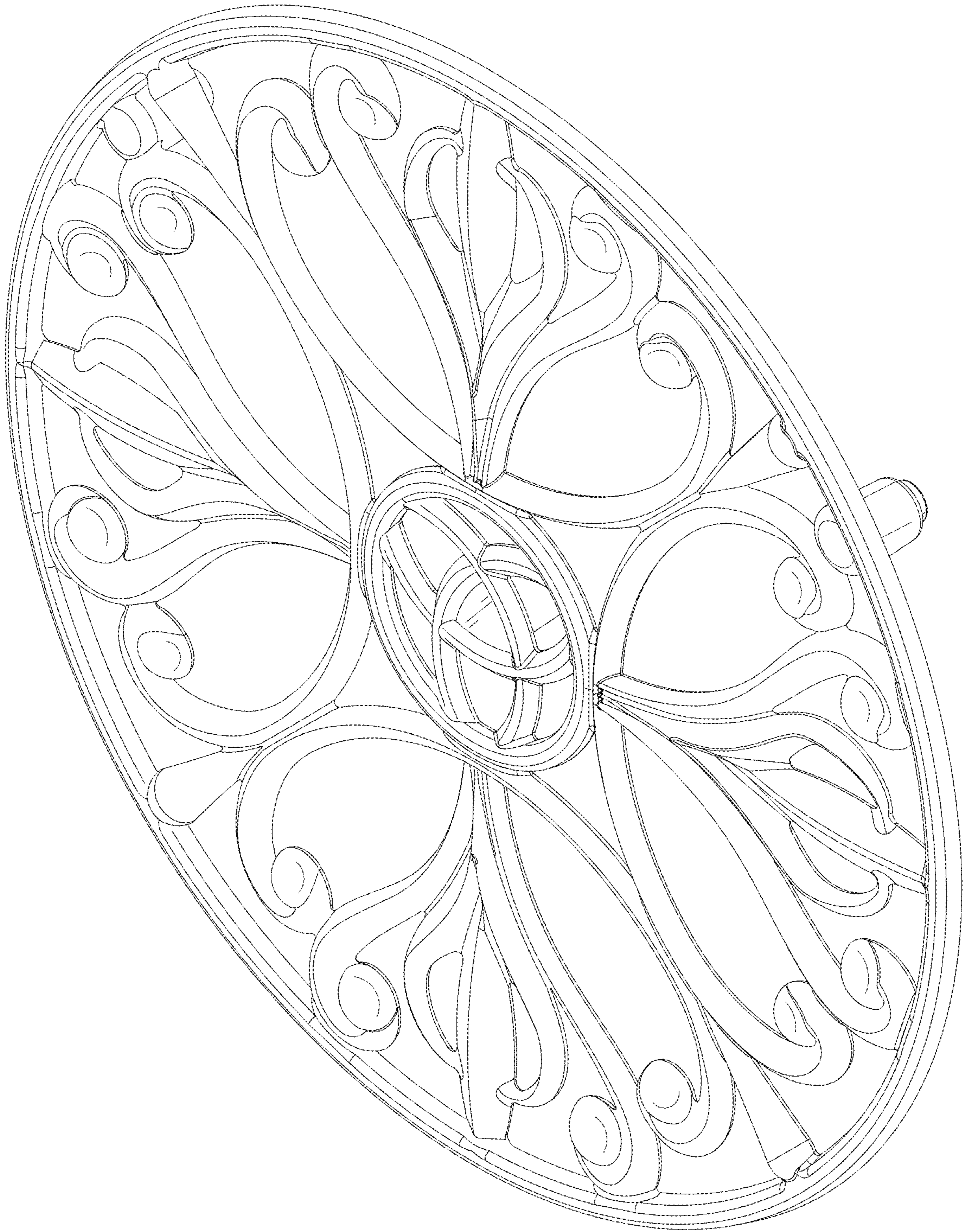


FIG. 1

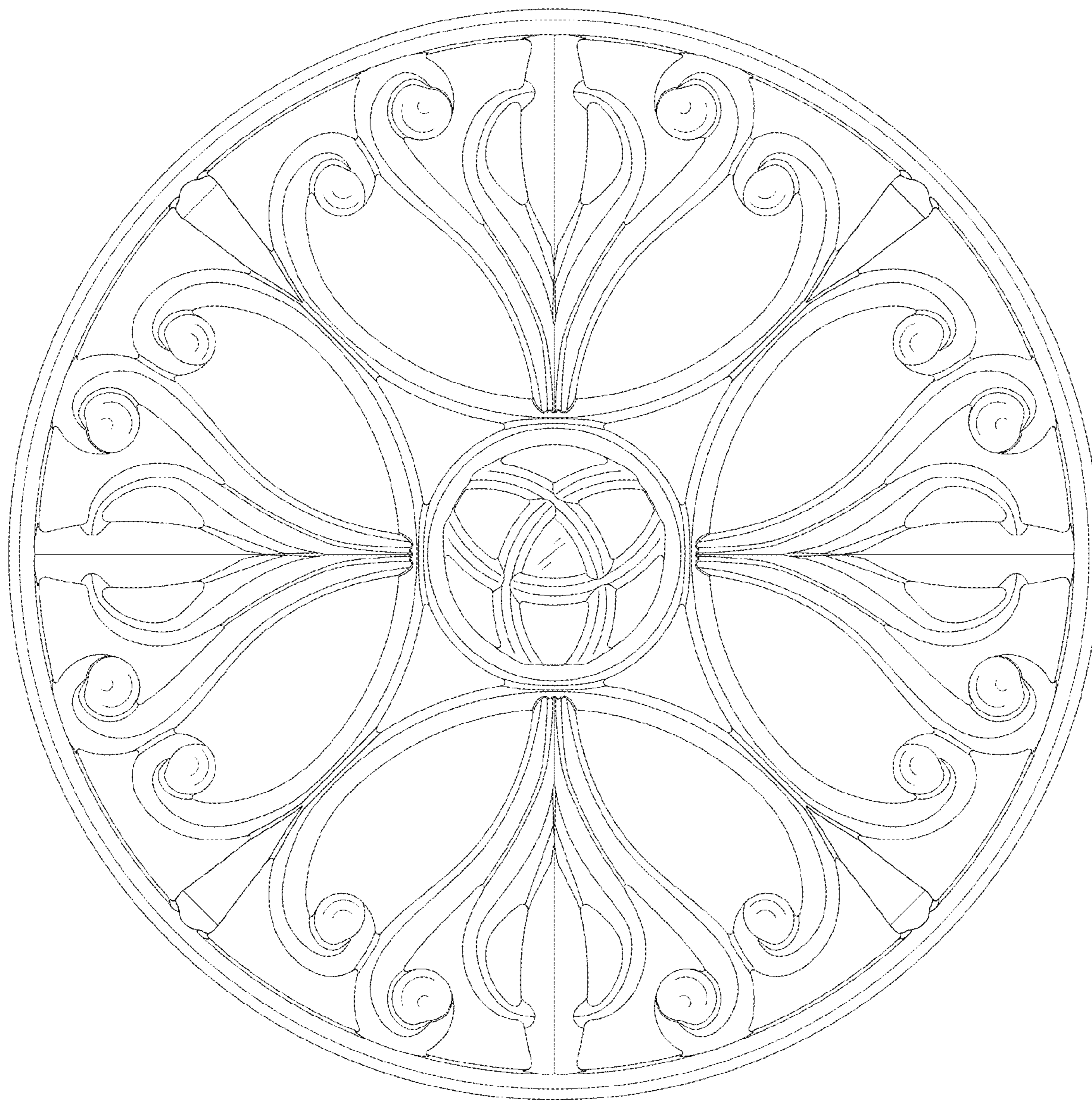


FIG. 2

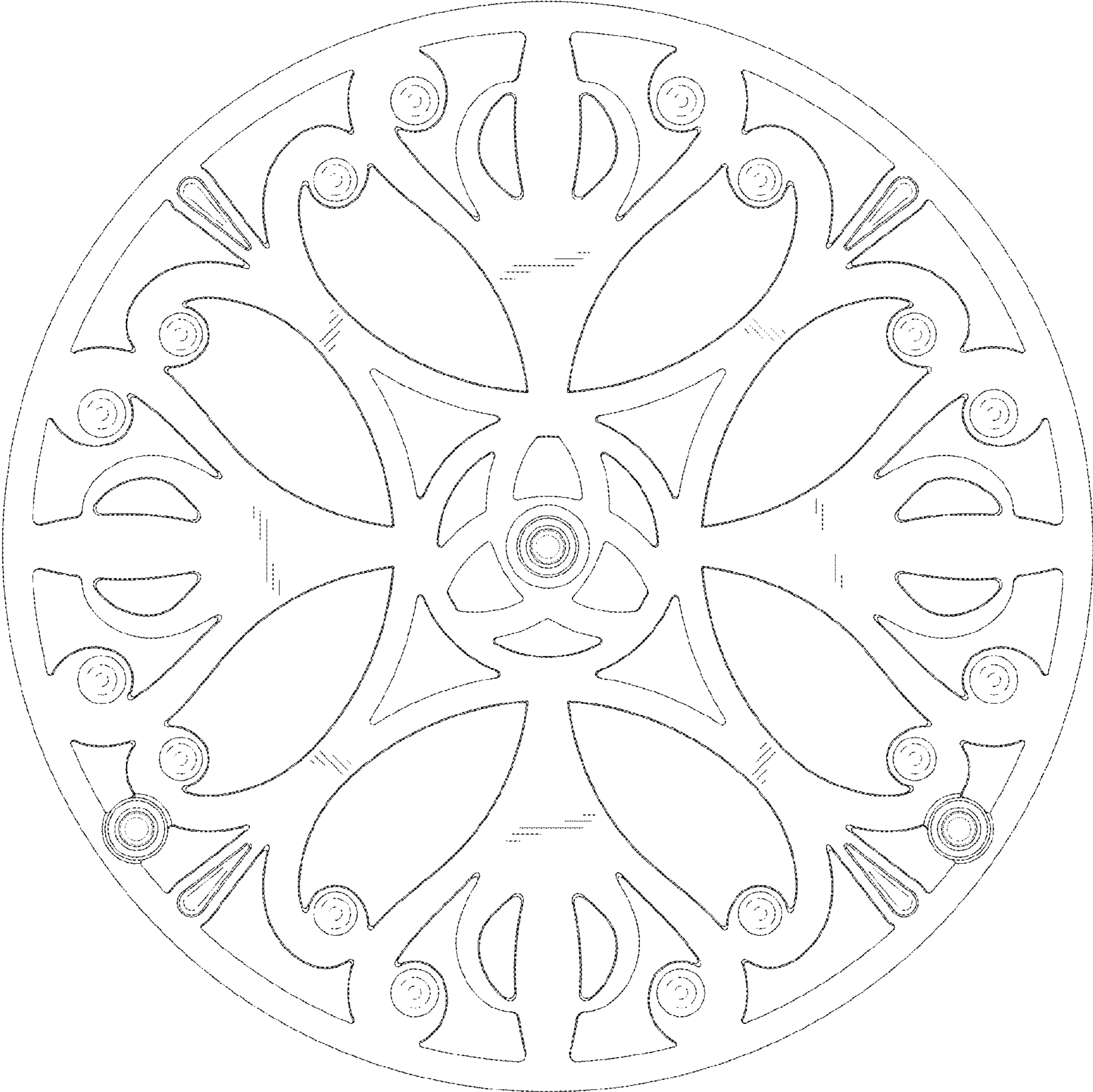


FIG. 3

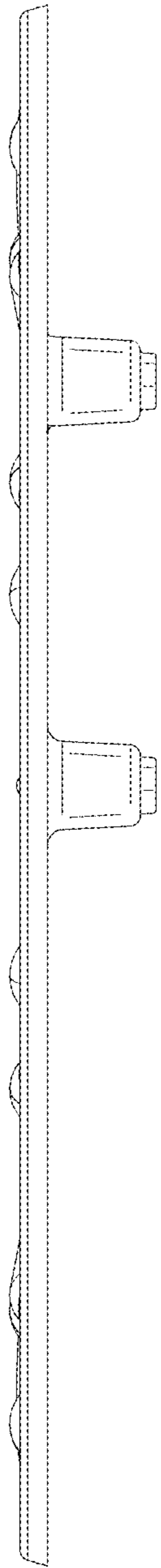


FIG. 4

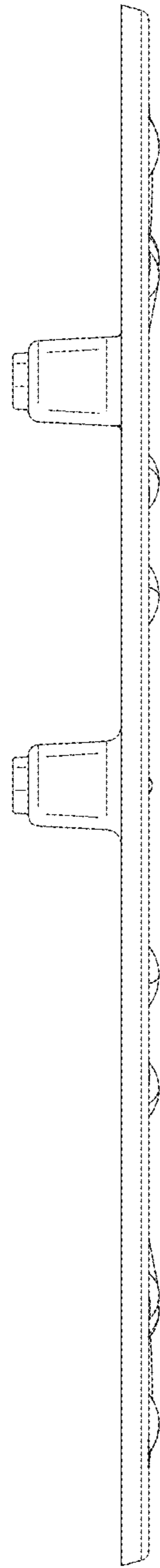


FIG. 5

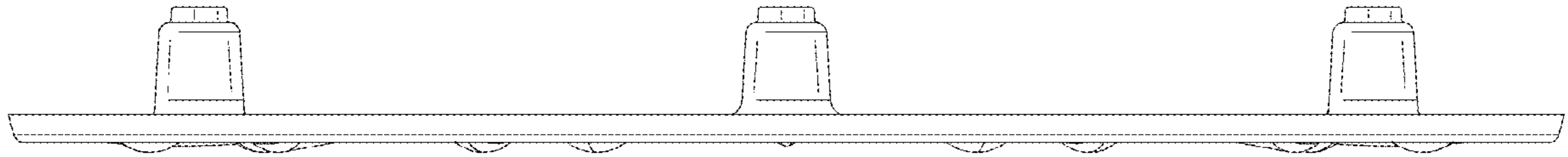


FIG. 6

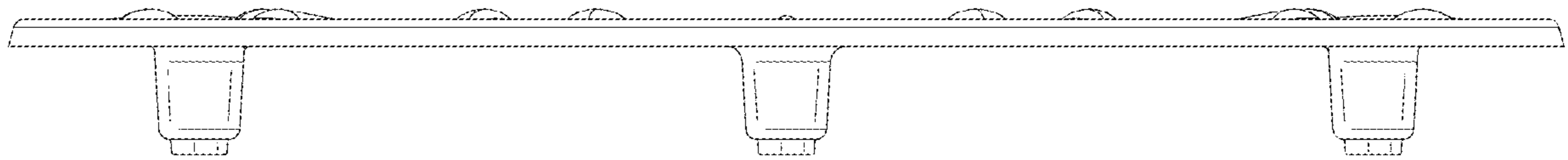


FIG. 7