



US00D944625S

(12) **United States Design Patent**
Wu

(10) **Patent No.:** **US D944,625 S**
(45) **Date of Patent:** **** Mar. 1, 2022**

(54) **DISPLAY DEVICE BRACKET**

(71) Applicant: **GETAC TECHNOLOGY CORPORATION**, Hsinchu County (TW)

(72) Inventor: **Ssu-Yuan Wu**, Taipei (TW)

(73) Assignee: **GETAC TECHNOLOGY CORPORATION**, Hsinchu County (TW)

(**) Term: **15 Years**

(21) Appl. No.: **29/729,625**

(22) Filed: **Mar. 27, 2020**

(51) **LOC (13) Cl.** **08-08**

(52) **U.S. Cl.**
USPC **D8/349**; D8/354; D14/253; D14/447

(58) **Field of Classification Search**
USPC D14/251–253, 224, 224.1, 432–434, 447, D14/451, 452; D12/415, 426.1, 223, 406, D12/407; D3/218; D8/349, 354, 366, D8/373
CPC B60R 11/00; B60R 11/02; B60R 11/0241; B60R 11/0252; B60R 2011/0003; B60R 2011/0005; B60R 2011/0008; H04M 1/04; H04M 1/11; F16M 11/00; F16M 11/04; F16M 11/041; F16M 11/06; H05K 5/0204; F16B 1/00

See application file for complete search history.

(56) **References Cited**

U.S. PATENT DOCUMENTS

D483,656 S * 12/2003 Shea D8/381
D557,115 S * 12/2007 Zakowski D8/354

D714,774 S * 10/2014 Baumann D14/253
D732,932 S * 6/2015 Ng D8/354
D789,563 S * 6/2017 Lopez D25/199
D789,564 S * 6/2017 Lopez D25/199
D796,938 S * 9/2017 Rago D8/354
D855,439 S * 8/2019 Schmonsees D8/349
D866,298 S * 11/2019 Kanter D8/354
D894,309 S * 8/2020 Nelson D21/839
D912,497 S * 3/2021 Herbertsson D8/354
D936,728 S * 11/2021 Leewe D17/20

* cited by examiner

Primary Examiner — Rebekah A Caruso

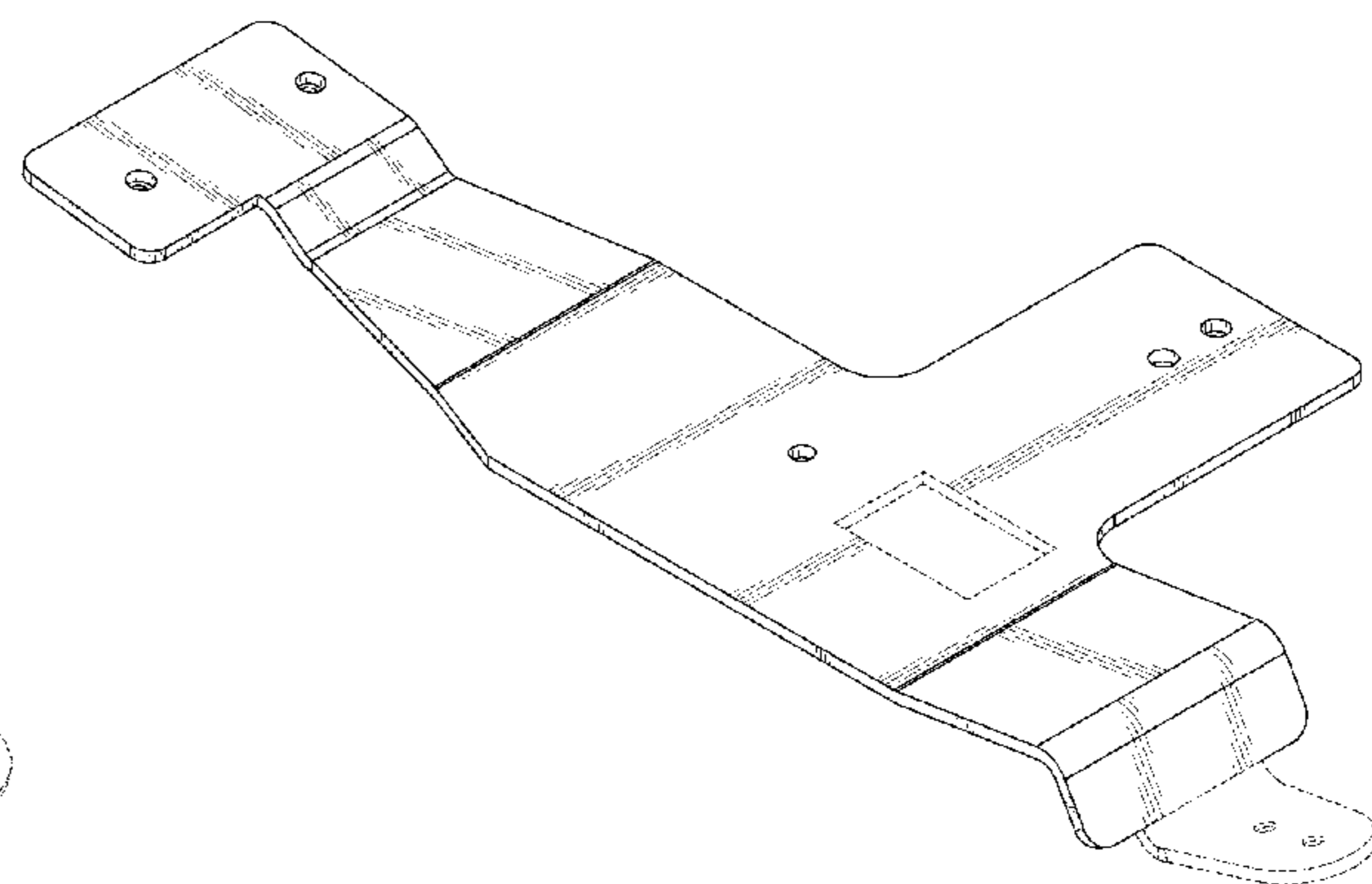
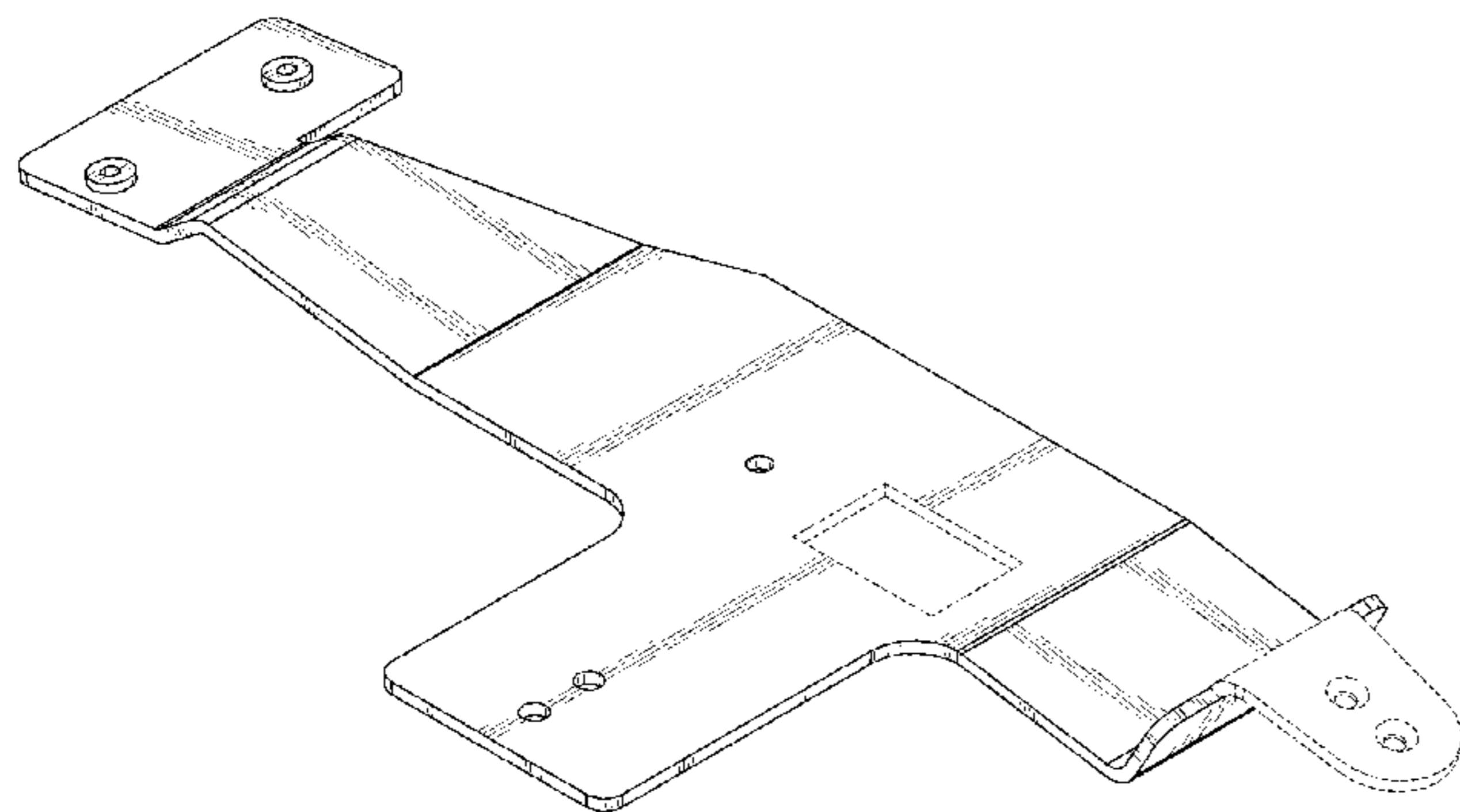
(57) **CLAIM**

The ornamental design for a display device bracket, as shown and described.

DESCRIPTION

FIG. 1 is a top, front, and right side perspective view of a display device bracket showing my new design;
FIG. 2 is a bottom, rear and right side perspective view thereof;
FIG. 3 is a front view thereof;
FIG. 4 is a rear view thereof;
FIG. 5 is a left side view thereof;
FIG. 6 is a right side view thereof;
FIG. 7 is a top view thereof;
FIG. 8 is a bottom view thereof; and,
FIG. 9 is a reference perspective view of a display device installed on my new design.
The broken lines in the figures illustrate the portions of the article that form no part of the claimed design, and in FIG. 9 also illustrate environmental structure forming no part of the claimed design.

1 Claim, 7 Drawing Sheets



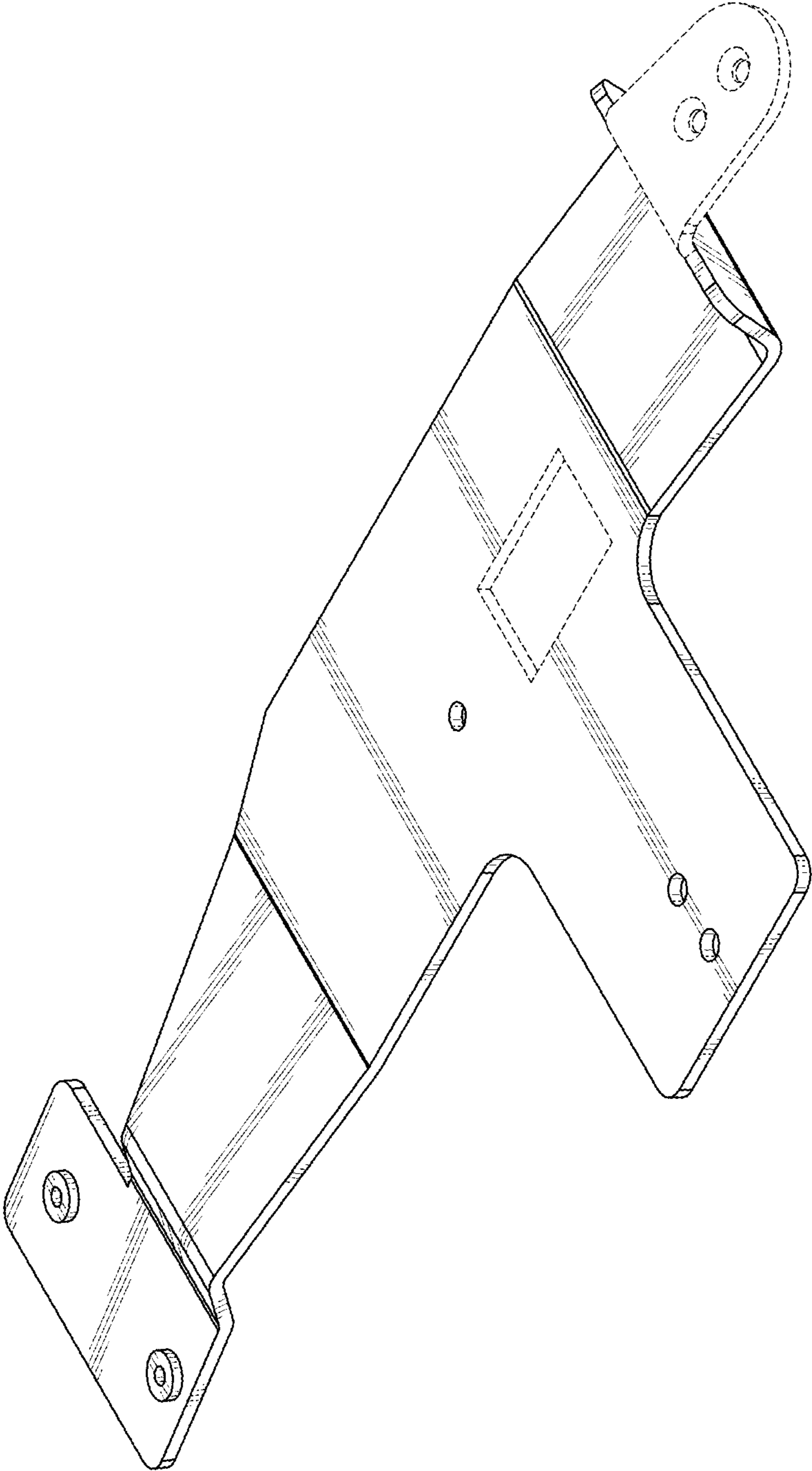


FIG. 1

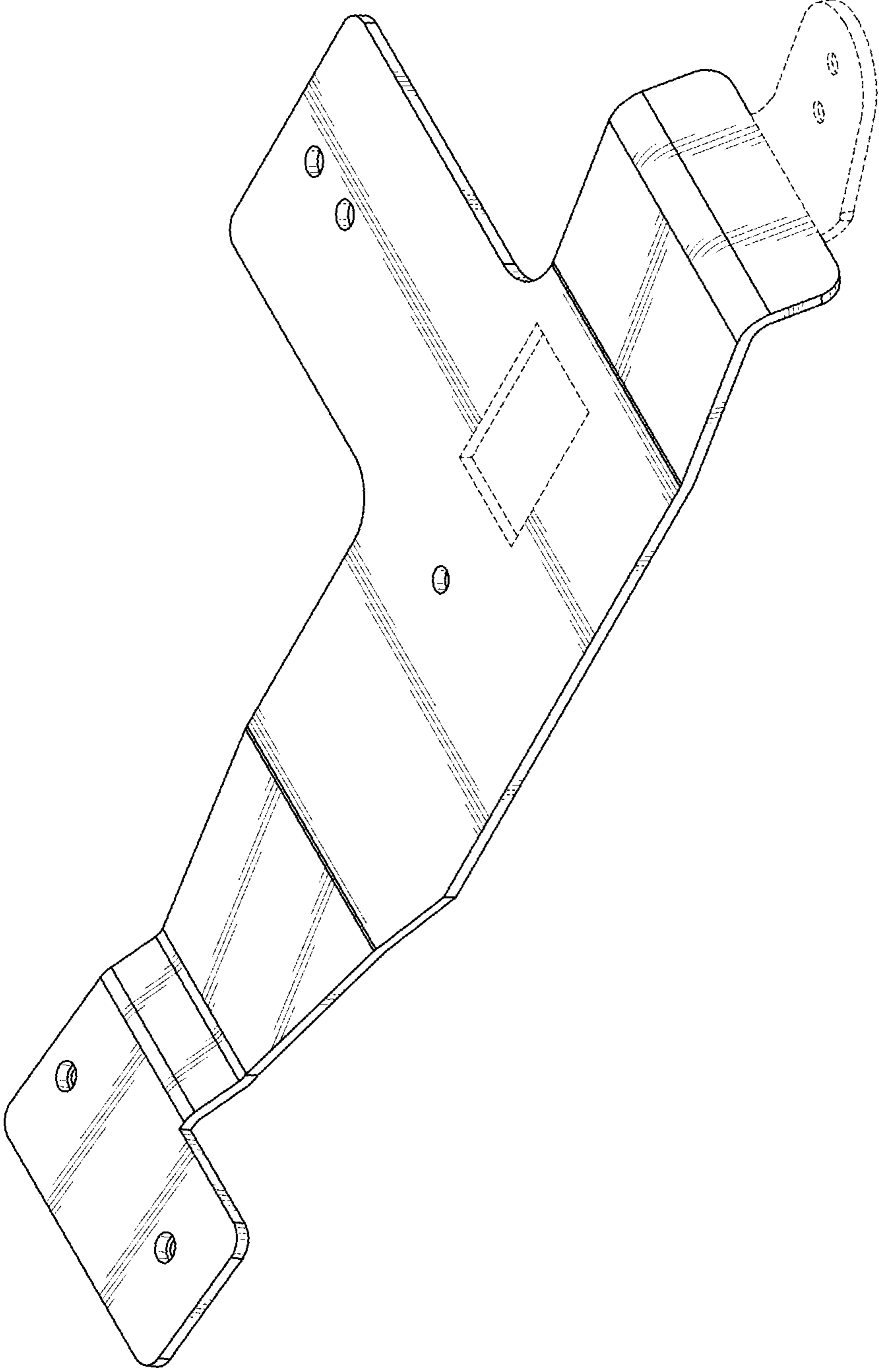


FIG. 2

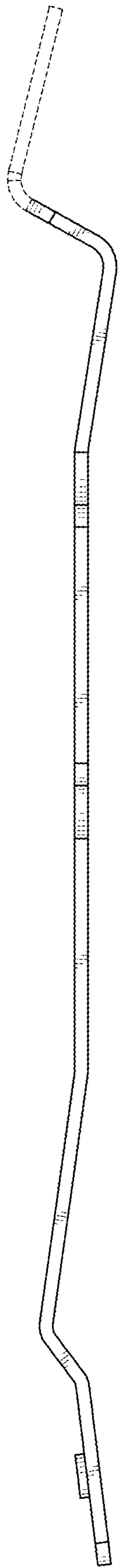


FIG. 3

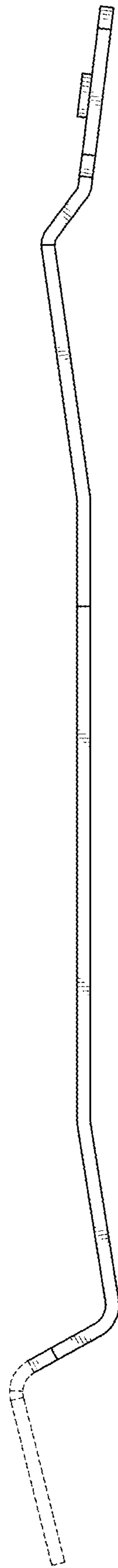


FIG. 4

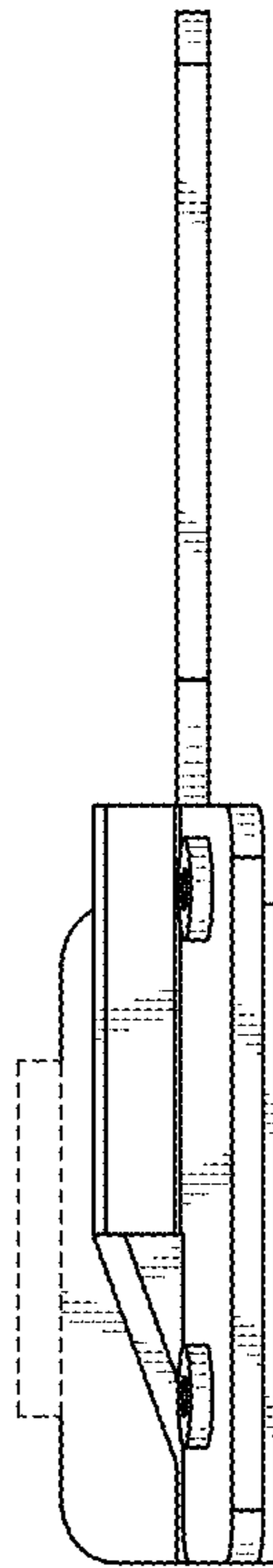


FIG. 5

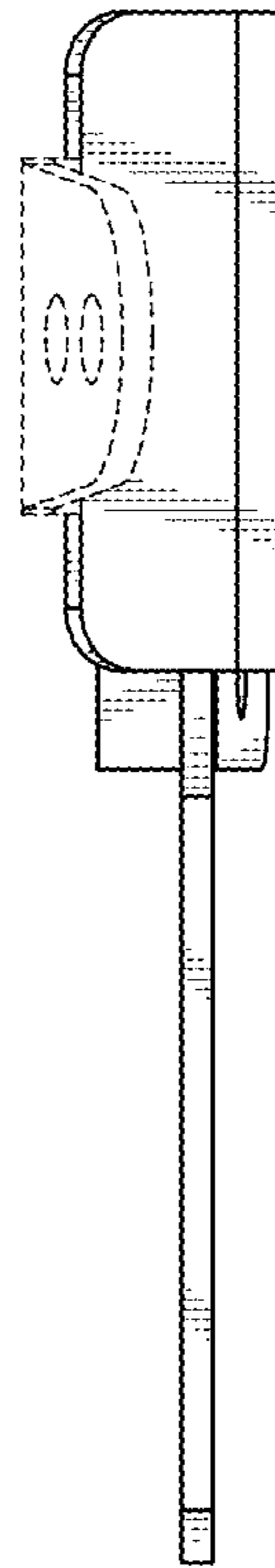


FIG. 6

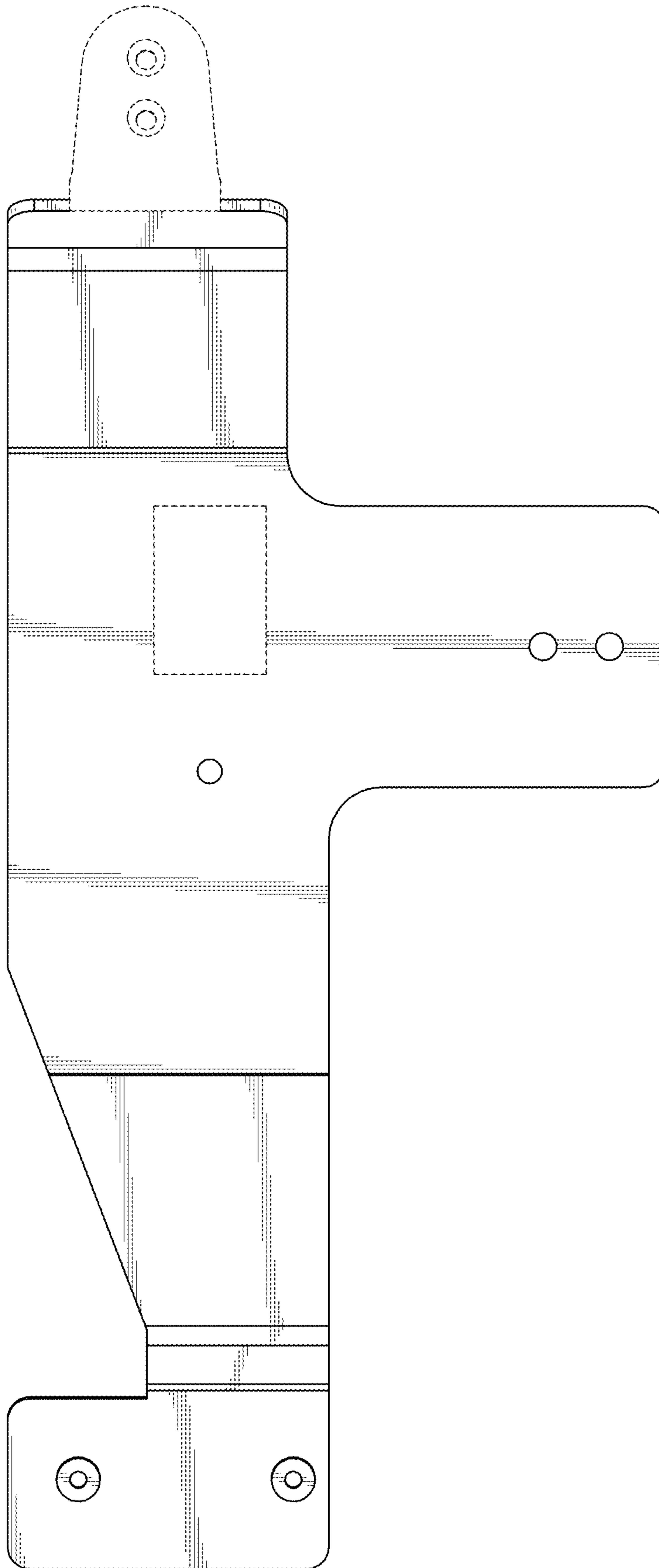


FIG. 7

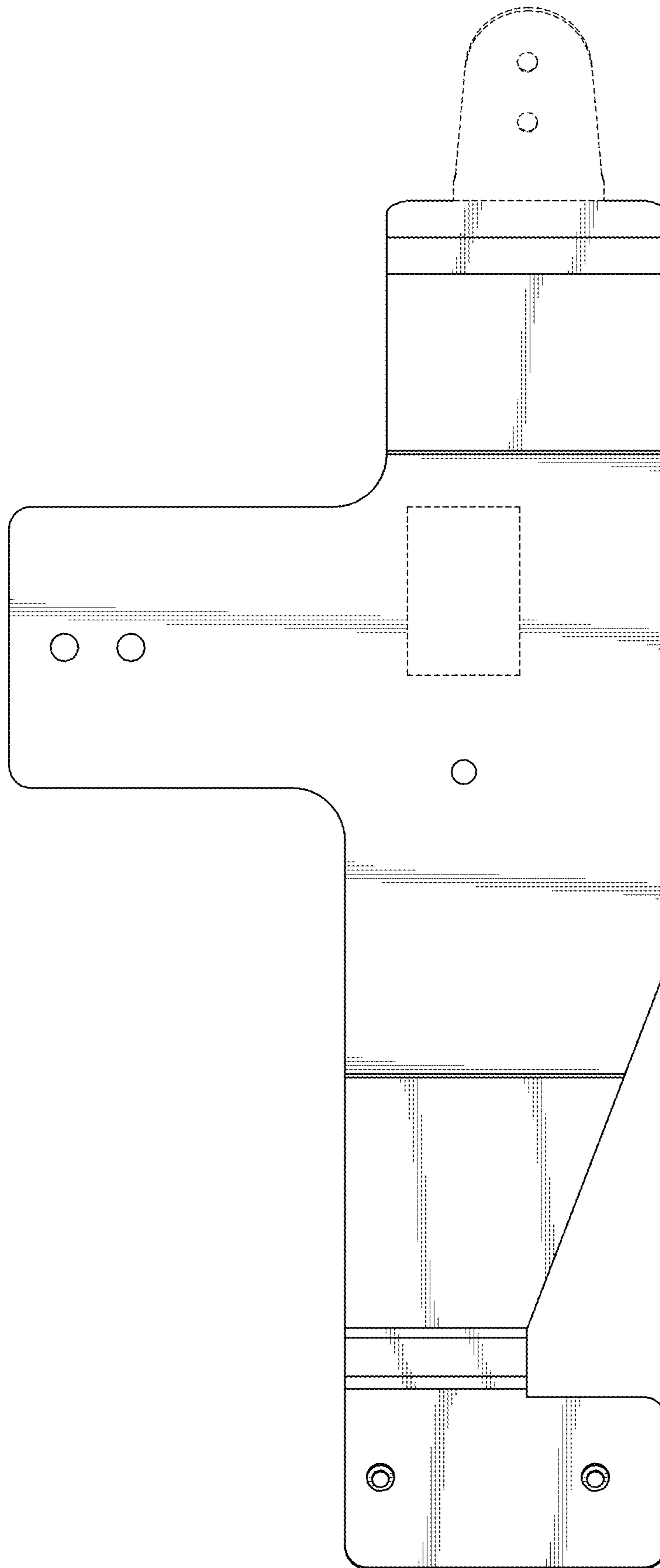


FIG. 8

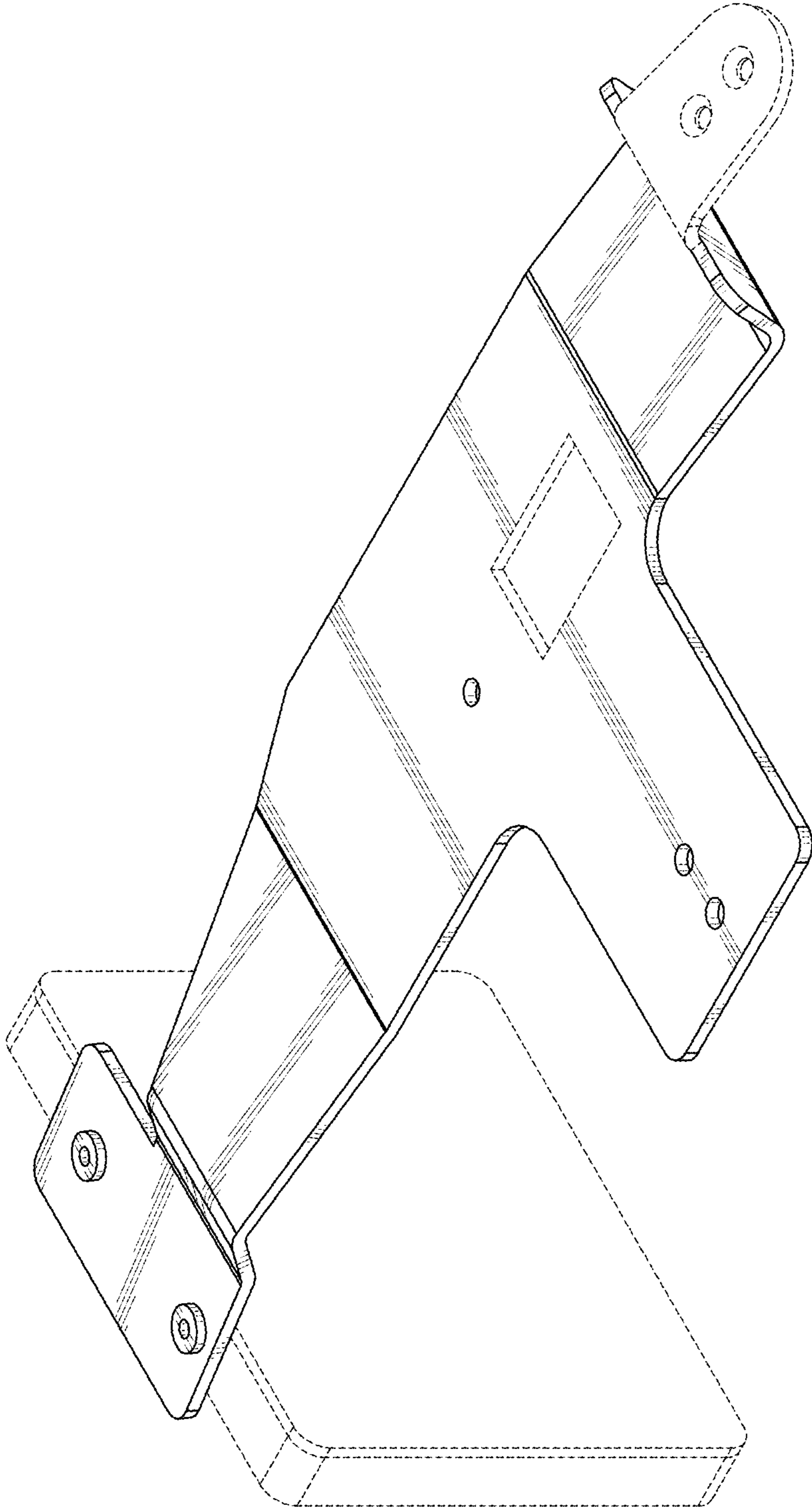


FIG. 9