



US00D944624S

(12) **United States Design Patent**
Berkezyan

(10) **Patent No.:** **US D944,624 S**

(45) **Date of Patent:** **** Mar. 1, 2022**

(54) **SUCTION CUP**

(71) Applicant: **Sunick Berkezyan**, Glendale, CA (US)

(72) Inventor: **Sunick Berkezyan**, Glendale, CA (US)

(**) Term: **15 Years**

(21) Appl. No.: **29/652,755**

(22) Filed: **Nov. 12, 2020**

(51) **LOC (13) Cl.** **08-08**

(52) **U.S. Cl.**

USPC **D8/349**; D8/354

(58) **Field of Classification Search**

USPC D8/354, 14, 349, 154, 373, 394;
D14/251; D16/242; D21/407

CPC A45D 42/14; F16B 47/00; A63H 3/04;
A63H 3/36; A63H 3/50; A63H 9/00;
A63H 23/00; A63H 23/10; A63H
33/3022; A63H 33/3038

See application file for complete search history.

D712,235 S *	9/2014	Hoover	D8/349
D714,126 S *	9/2014	Pyon	D8/349
D735,557 S *	8/2015	Leshem	D8/354
D737,383 S *	8/2015	Hochstrasser	D21/621
D738,434 S *	9/2015	Baumann	D21/398
D744,316 S *	12/2015	Nook	D8/349
D820,992 S *	6/2018	King	D24/200
D829,806 S *	10/2018	Balmer	D16/242
D833,852 S *	11/2018	Umholtz	D8/354
D853,824 S *	7/2019	Kravchenko	D8/354
D879,596 S *	3/2020	Li	D8/367
D885,164 S *	5/2020	Frydenger	D8/349
D885,165 S *	5/2020	Frydenger	D8/349
D889,162 S *	7/2020	Elliott	D6/526
D889,879 S *	7/2020	Klowan	D6/540
D890,159 S *	7/2020	McSweyn	D14/253
D890,739 S *	7/2020	McSweyn	D14/253
D891,197 S *	7/2020	Campion	D7/620

(Continued)

Primary Examiner — Mark A Goodwin

(57) **CLAIM**

The ornamental design for a suction cup, as shown and described.

DESCRIPTION

FIG. 1 is a front right top perspective view of a suction cup showing my new design, the rear left top perspective view being an identical image thereof;
FIG. 2 is a front elevation view thereof;
FIG. 3 is a rear elevation view thereof;
FIG. 4 is a left side elevation view thereof;
FIG. 5 is a right side elevation view thereof;
FIG. 6 is a top plan view thereof; and,
FIG. 7 is a bottom plan view thereof.

The evenly-sized broken lines shown in the drawings depict environment that forms no part of the claimed design.

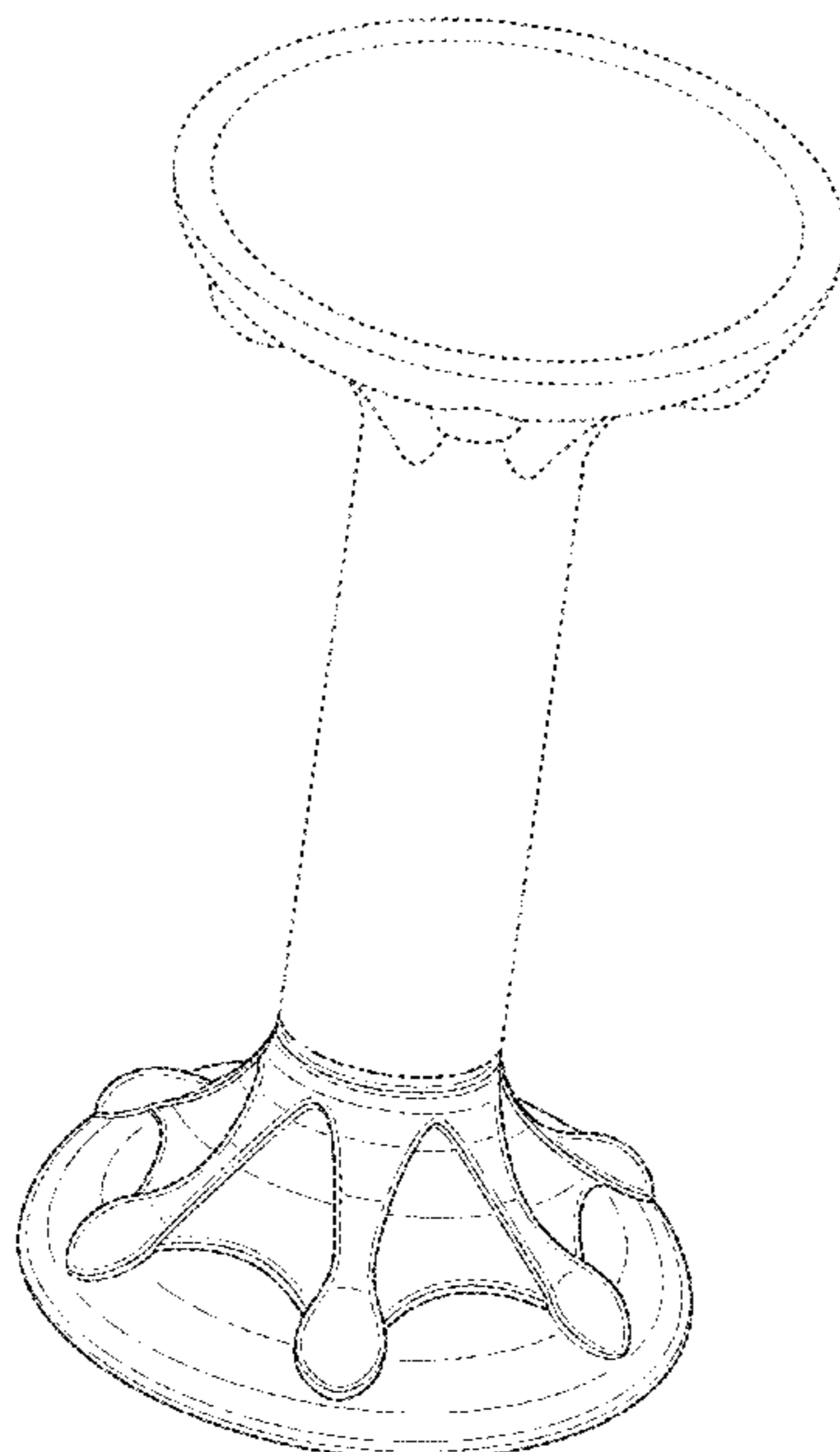
The unevenly-sized broken lines define the bounds of the claimed design and form no part of the claimed design.

1 Claim, 4 Drawing Sheets

(56) **References Cited**

U.S. PATENT DOCUMENTS

D327,215 S *	6/1992	Pestone	D8/373
D332,390 S *	1/1993	Adams	D8/373
D357,170 S *	4/1995	Wellsfry	D8/349
D388,691 S *	1/1998	Adams	D8/354
D391,837 S *	3/1998	Adams	D8/354
D401,499 S *	11/1998	Barry	D8/367
D408,725 S *	4/1999	Adams	D8/373
D416,783 S *	11/1999	Hampshire	D8/354
D421,211 S *	2/2000	Adams	D8/354
D423,329 S *	4/2000	Adams	D8/354
D499,635 S *	12/2004	Osborne	D8/373
D506,380 S *	6/2005	Chu	D8/349
D599,192 S *	9/2009	Andren	D8/354
D709,559 S *	7/2014	Baumann	D21/398
D709,562 S *	7/2014	Baumann	D21/398
D709,564 S *	7/2014	Baumann	D21/398



(56)

References Cited

U.S. PATENT DOCUMENTS

D899,224 S	*	10/2020	Elliott	D8/354
D903,469 S	*	12/2020	Wang	D8/349
D907,464 S	*	1/2021	Prommel	D8/354
D923,460 S	*	6/2021	McNaughton	D8/354
D931,091 S	*	9/2021	Blakely	D8/373

* cited by examiner

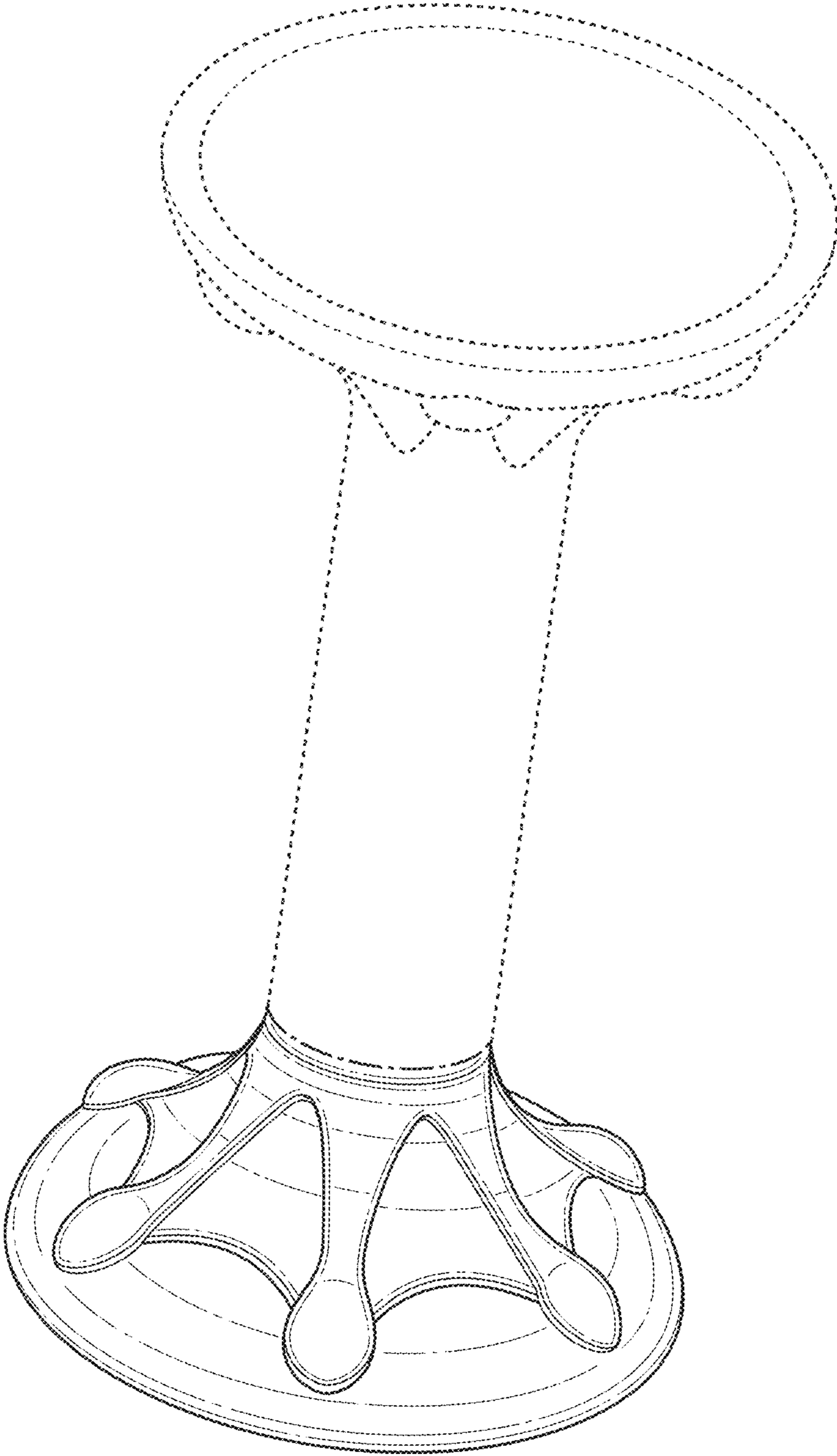


FIG. 1





FIG. 5

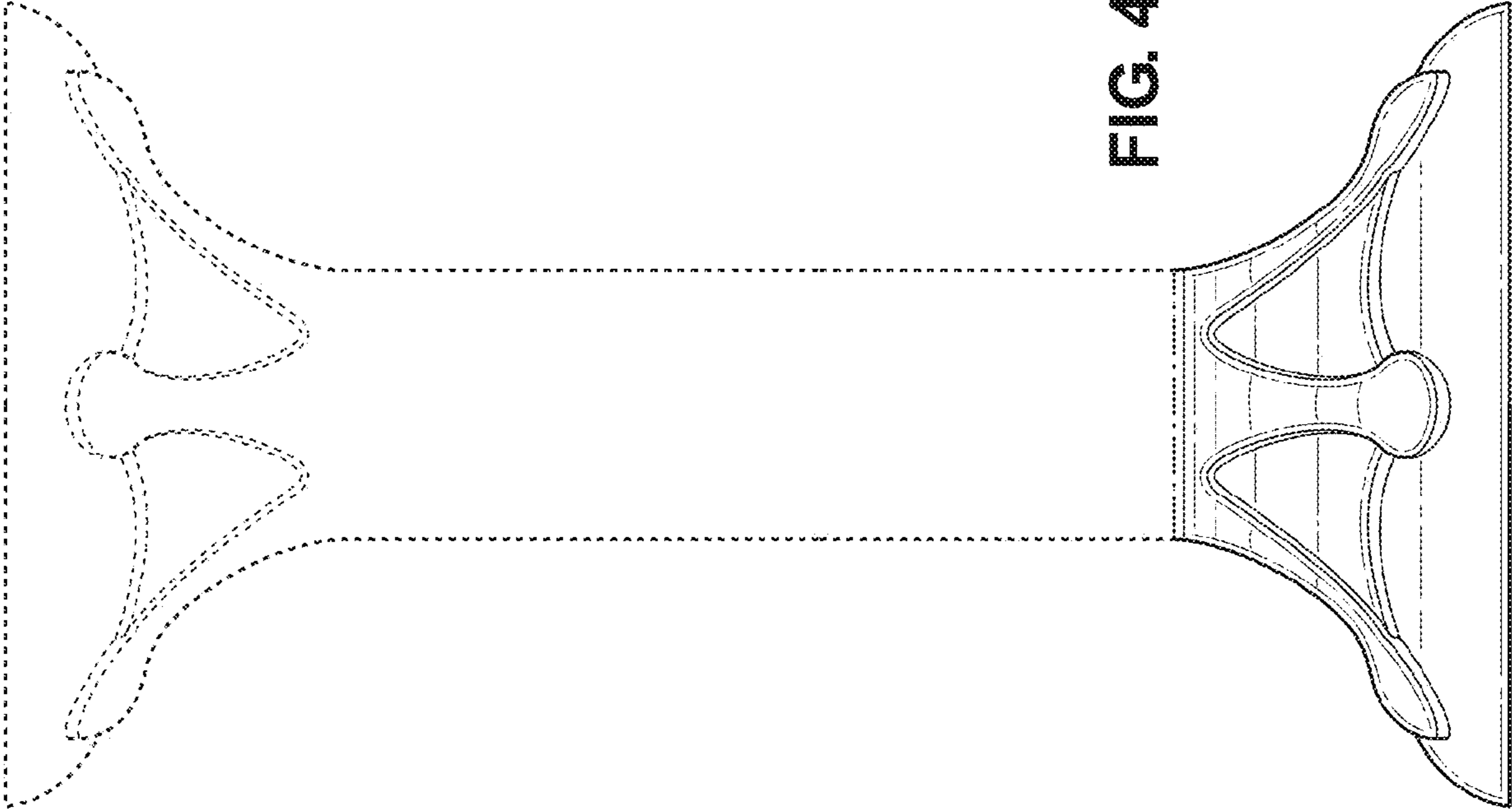


FIG. 4

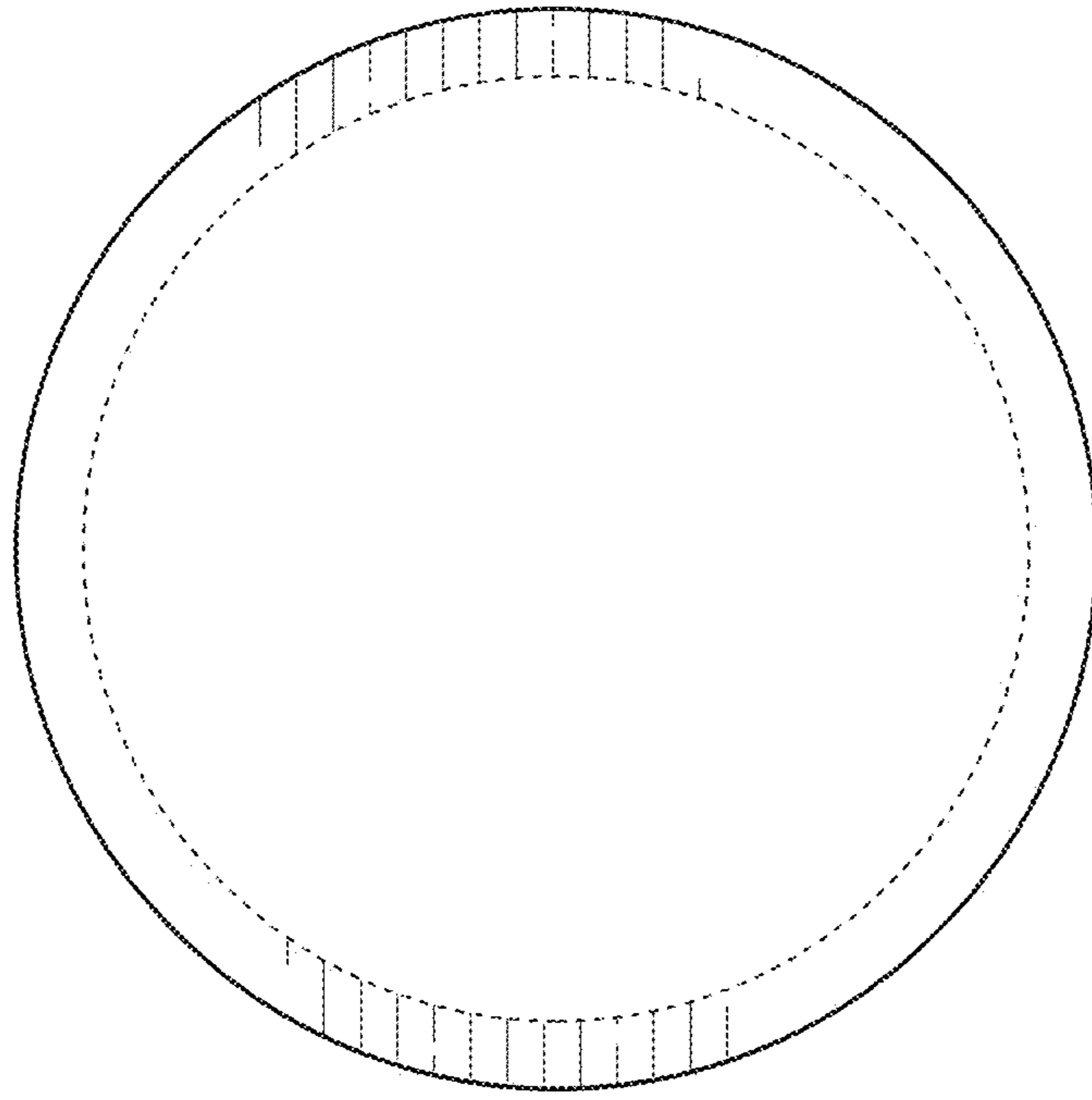


FIG. 7

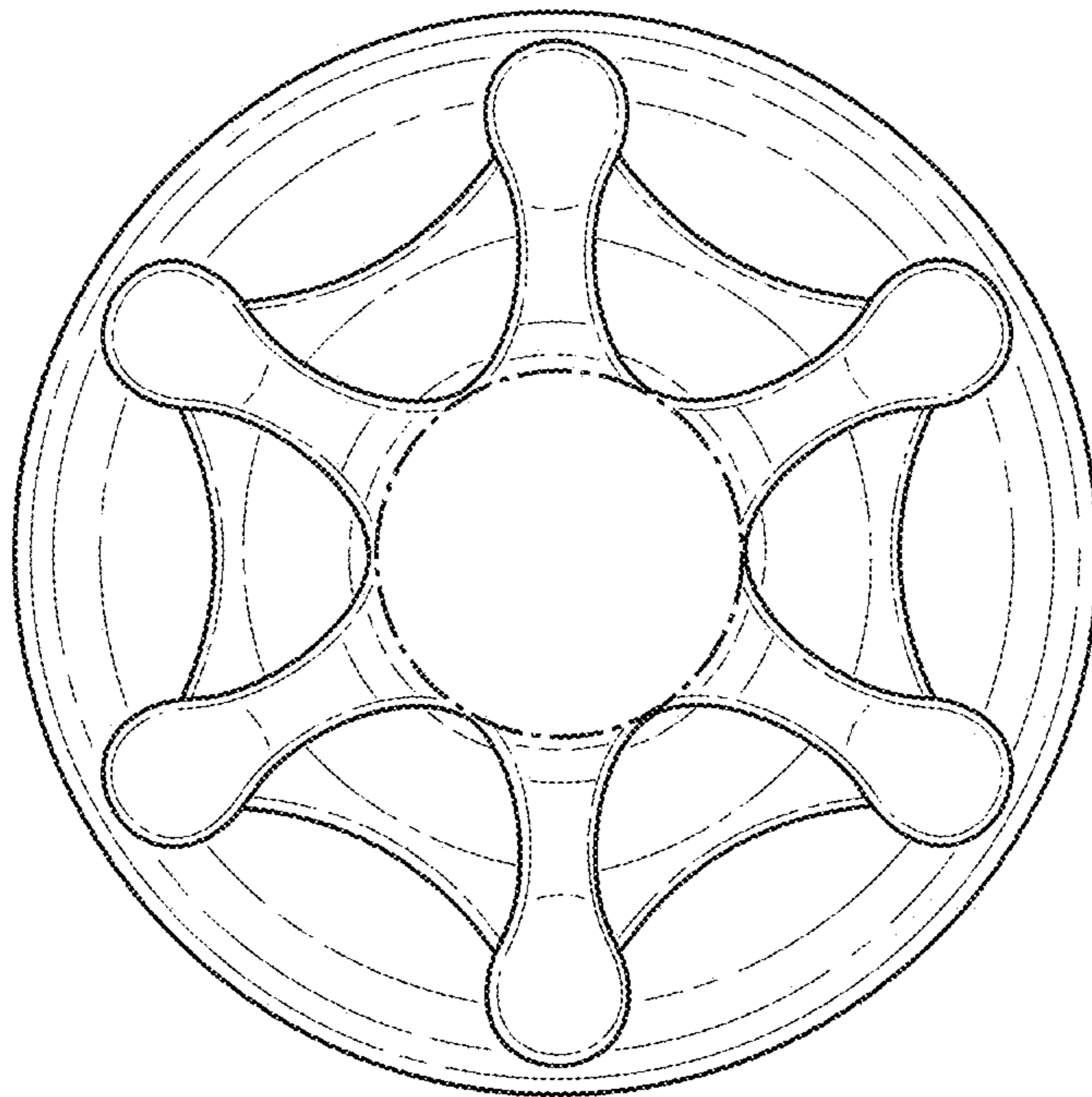


FIG. 6