



US00D944623S

(12) **United States Design Patent**
Cosby

(10) **Patent No.:** **US D944,623 S**

(45) **Date of Patent:** **** *Mar. 1, 2022**

- (54) **SNAP-ON COVER FOR STRIKER**
- (71) Applicant: **D&D Group Pty Ltd**, Frenchs Forest (AU)
- (72) Inventor: **Scott Cosby**, Narraweena (AU)
- (*) Notice: This patent is subject to a terminal disclaimer.
- (**) Term: **15 Years**
- (21) Appl. No.: **29/611,919**
- (22) Filed: **Jul. 26, 2017**
- (51) **LOC (13) Cl.** **08-07**
- (52) **U.S. Cl.**
USPC **D8/346**
- (58) **Field of Classification Search**
USPC D8/301, 312, 330-335, 343, 346, 398, D8/394, 449; 70/57, 57.1, 51-56, 416, 70/485, 486, 445, 419, 431, 422, 158, 70/DIG. 43, DIG. 56, 160, 164, 167
CPC E08B 67/00; E05B 17/10; E05B 67/38; E05B 17/226; E05B 17/002; E05B 67/04
See application file for complete search history.

- (56) **References Cited**
U.S. PATENT DOCUMENTS
D263,072 S * 2/1982 Merritt 169/70
D318,411 S * 7/1991 McKernan D8/346
5,946,952 A * 9/1999 Mintchenko E05C 7/00
70/2
D433,314 S * 11/2000 Mimplitch D8/346
D436,062 S * 1/2001 Huston D12/126
D455,638 S * 4/2002 Livingston D8/346
D569,226 S * 5/2008 Brewster D8/346
D584,595 S * 1/2009 Gray D8/331
8,347,661 B2 * 1/2013 Kaminsky, Jr. E05B 67/383
70/56
D701,421 S * 3/2014 Tai D7/391
D701,422 S * 3/2014 Tai D7/391

- D732,372 S * 6/2015 Gao D8/346
- D808,246 S * 1/2018 Blankenship D8/346
- D809,895 S * 2/2018 Frantz F16B 41/005
D8/330
- D830,564 S * 10/2018 Kim D24/200
- D858,144 S * 9/2019 Fu D6/610
- D864,824 S * 10/2019 Zeng D12/197
- D865,851 S * 11/2019 Ramones D16/237
- D868,761 S * 12/2019 McWilliam D14/238.1
- D886,181 S * 6/2020 Lu D16/237
- 2012/0137741 A1 * 6/2012 Yu E05B 67/003
70/53
- 2012/0186159 A1 * 7/2012 Thiele E05B 77/34
49/449

(Continued)

Primary Examiner — Manpreet S Matharu
Assistant Examiner — Yolanda Robinson
 (74) *Attorney, Agent, or Firm* — Manatt, Phelps & Phillips LLP

(57) **CLAIM**

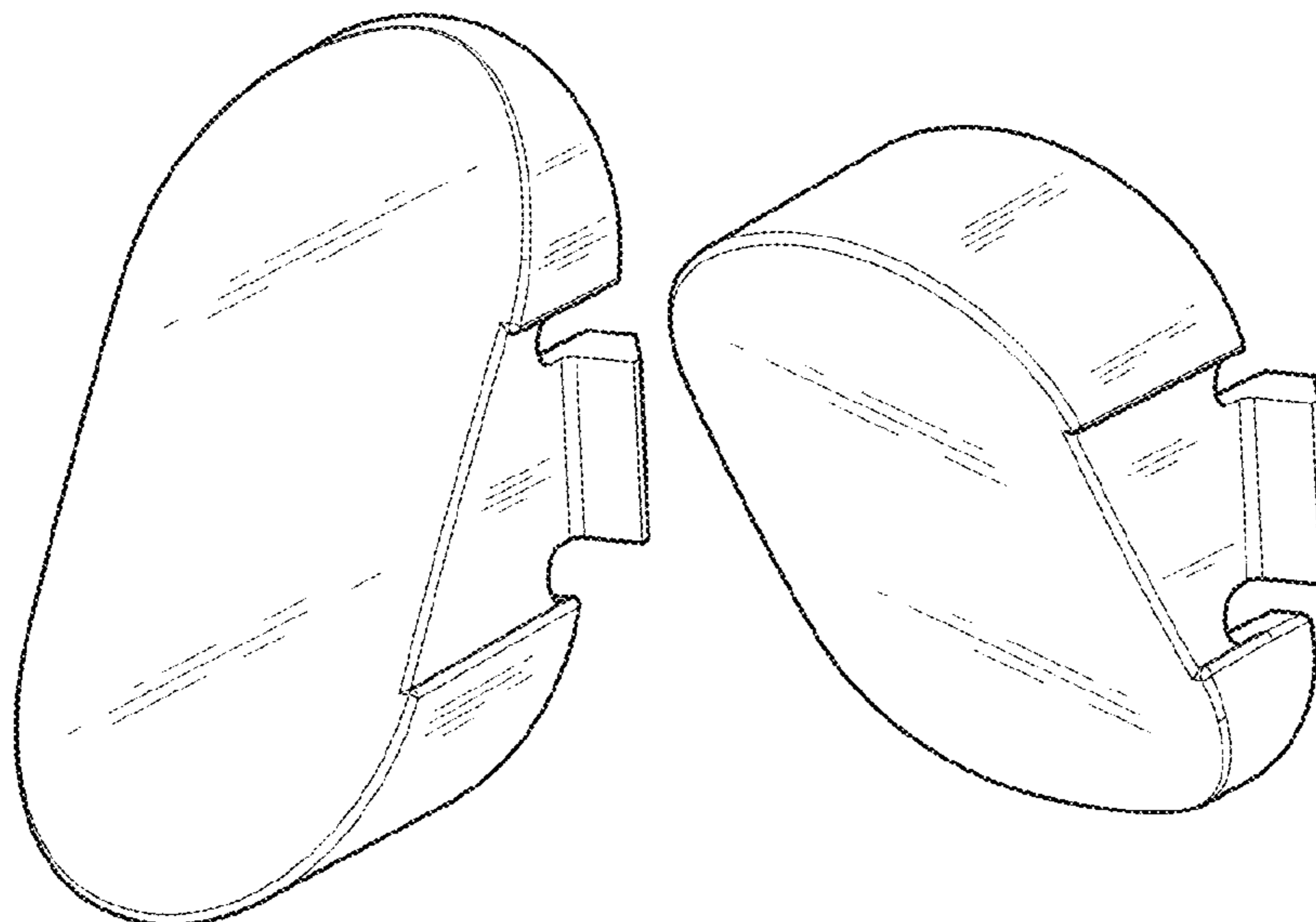
The ornamental design for a snap-on cover for striker, as shown and described.

DESCRIPTION

FIG. 1 is a top perspective view of a snap-on cover for striker;
 FIG. 2 is a top plan view thereof;
 FIG. 3 is a left side view thereof;
 FIG. 4 is a right side view thereof;
 FIG. 5 is a top end view thereof;
 FIG. 6 is a bottom end view thereof;
 FIG. 7 is a top perspective view of a second embodiment;
 FIG. 8 is a top plan view thereof;
 FIG. 9 is a left side view thereof;
 FIG. 10 is a right side view thereof;
 FIG. 11 is a top end view thereof; and,
 FIG. 12 is a bottom end view thereof.

The broken lines shown in the snap-on cover for striker are for portions that form no part of the claimed design.

1 Claim, 12 Drawing Sheets



(56)

References Cited

U.S. PATENT DOCUMENTS

2015/0308152 A1* 10/2015 Karnin E05B 3/065
70/431
2018/0044946 A1* 2/2018 Horton E05B 17/226
2019/0338569 A1* 11/2019 Manly E05C 3/042

* cited by examiner

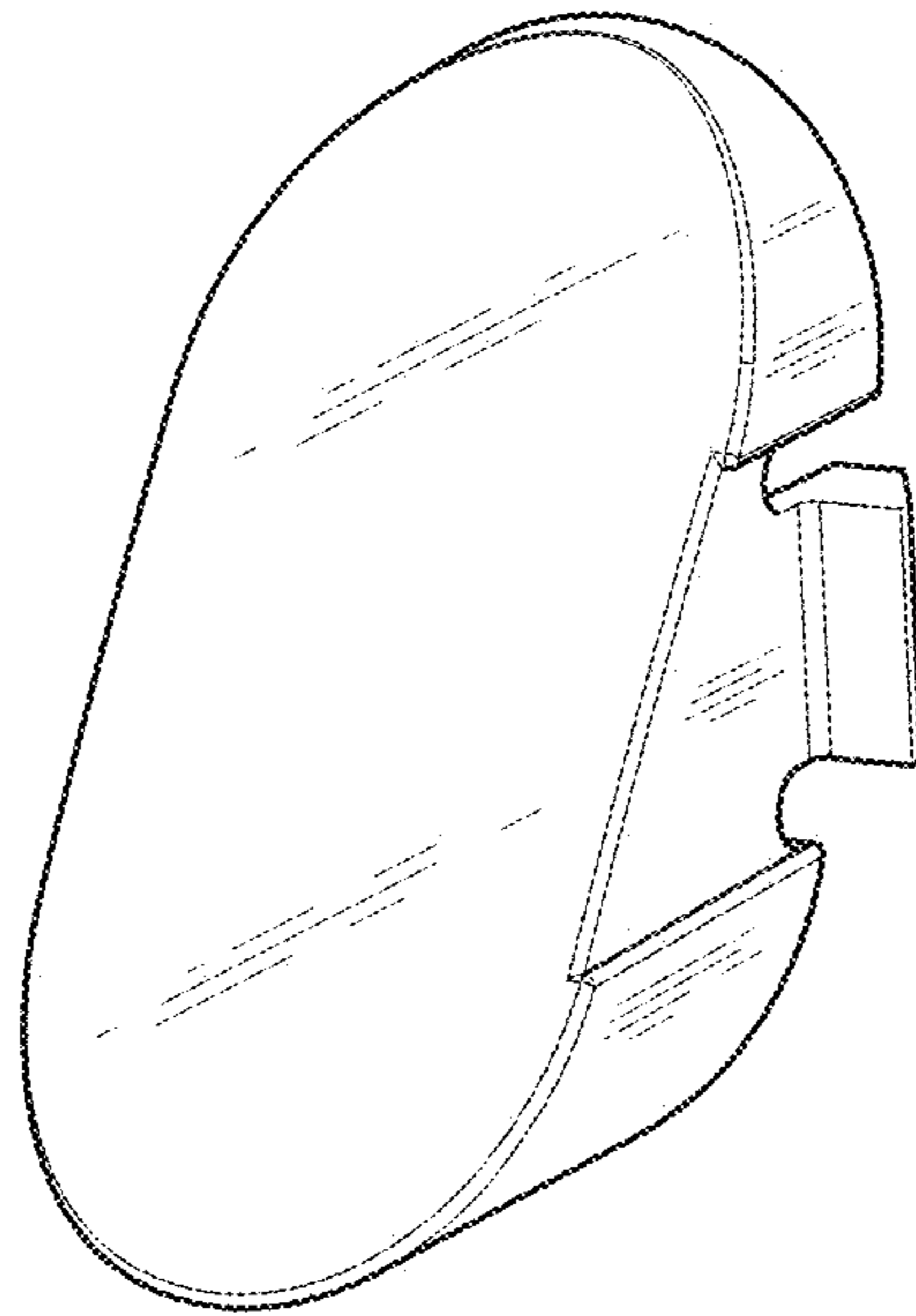


Figure 1

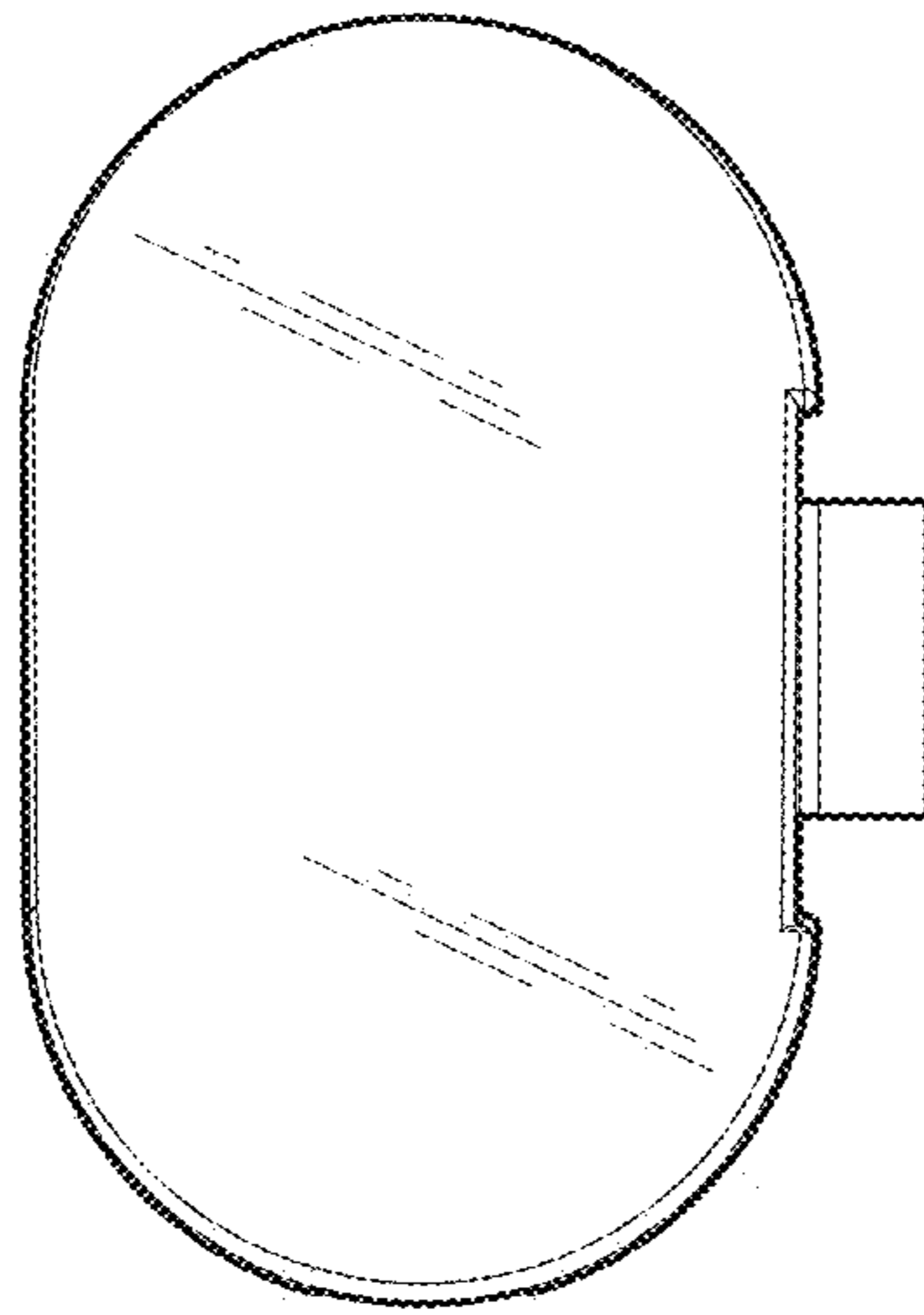


Figure 2

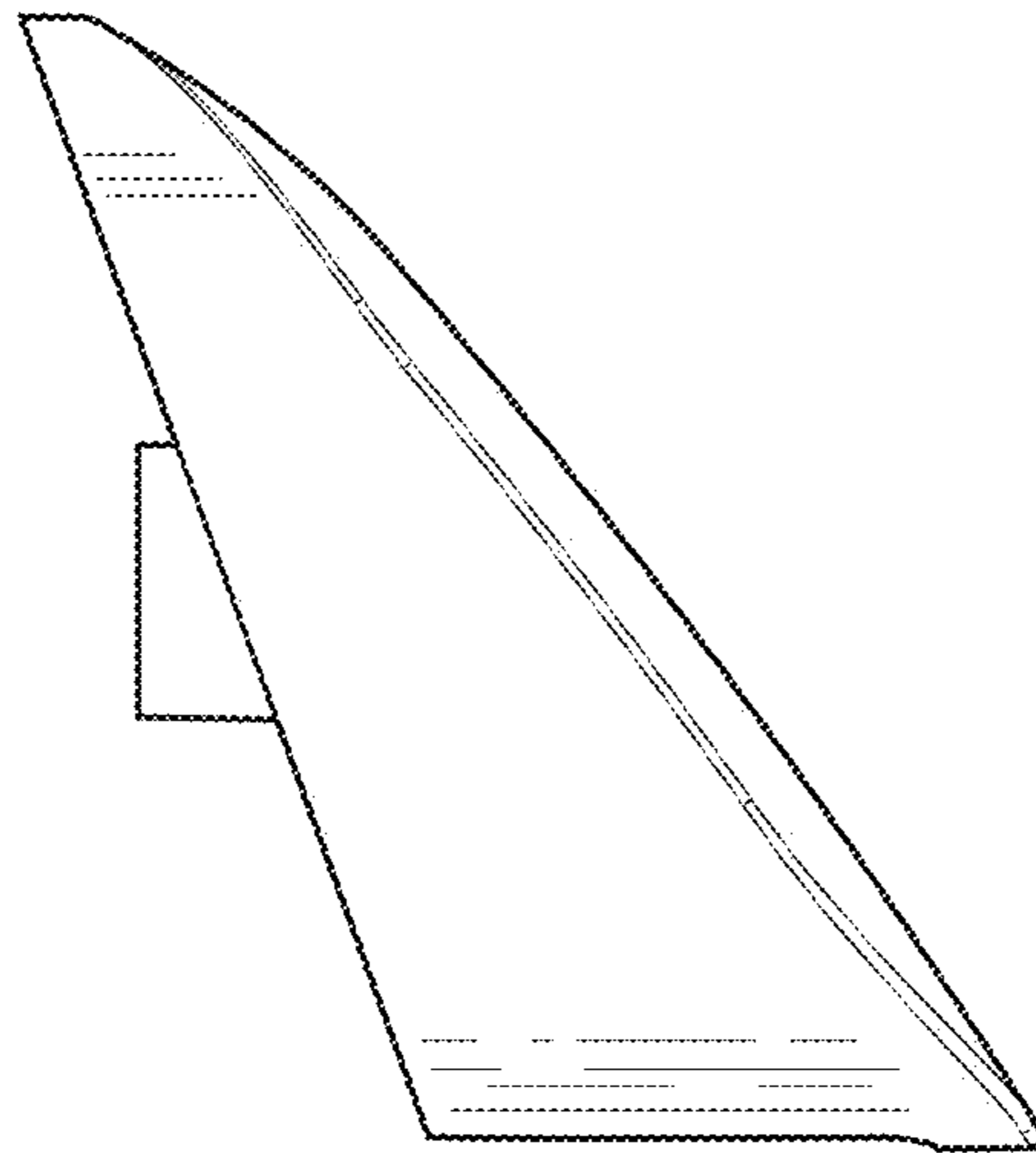


Figure 3

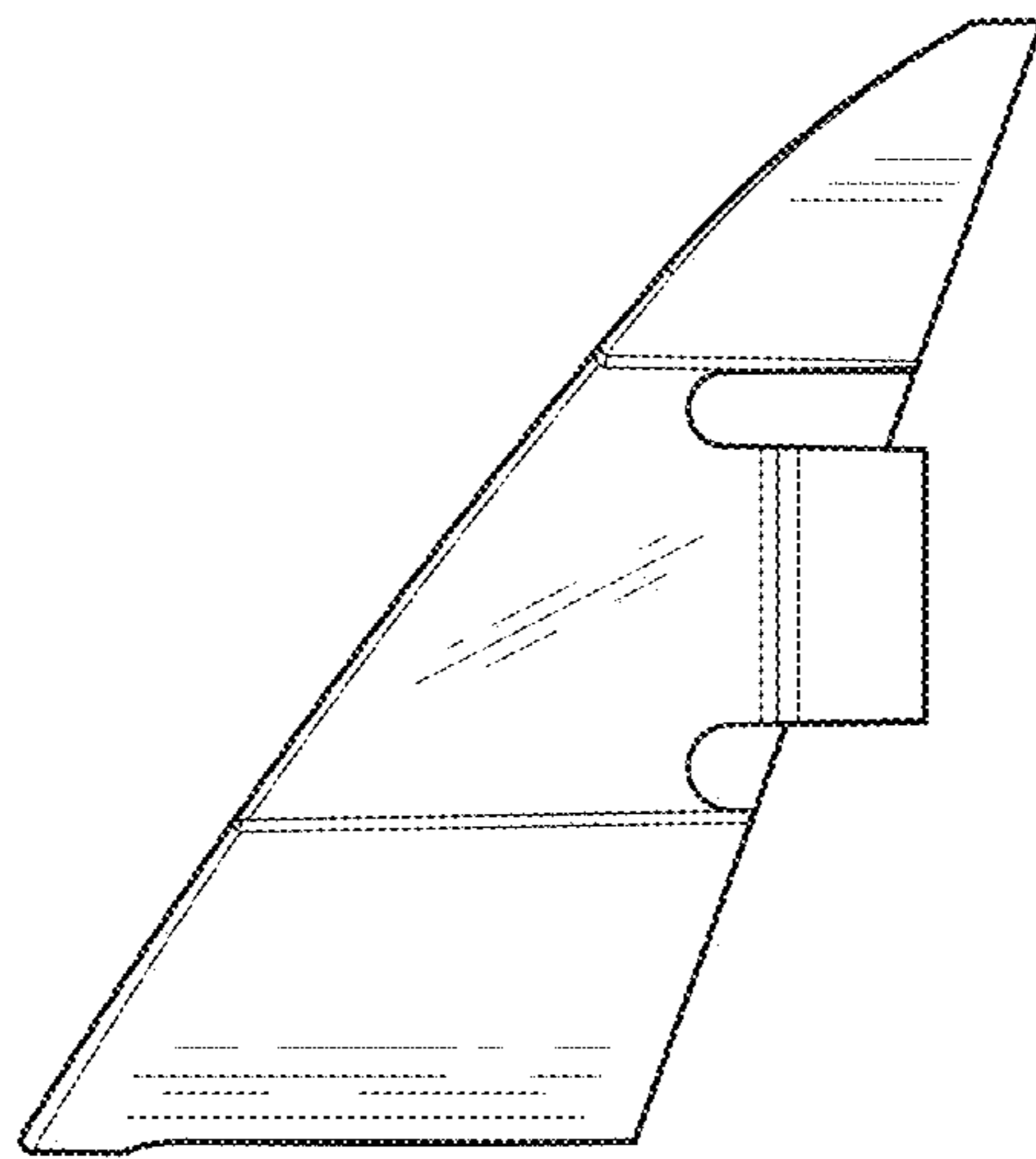


Figure 4

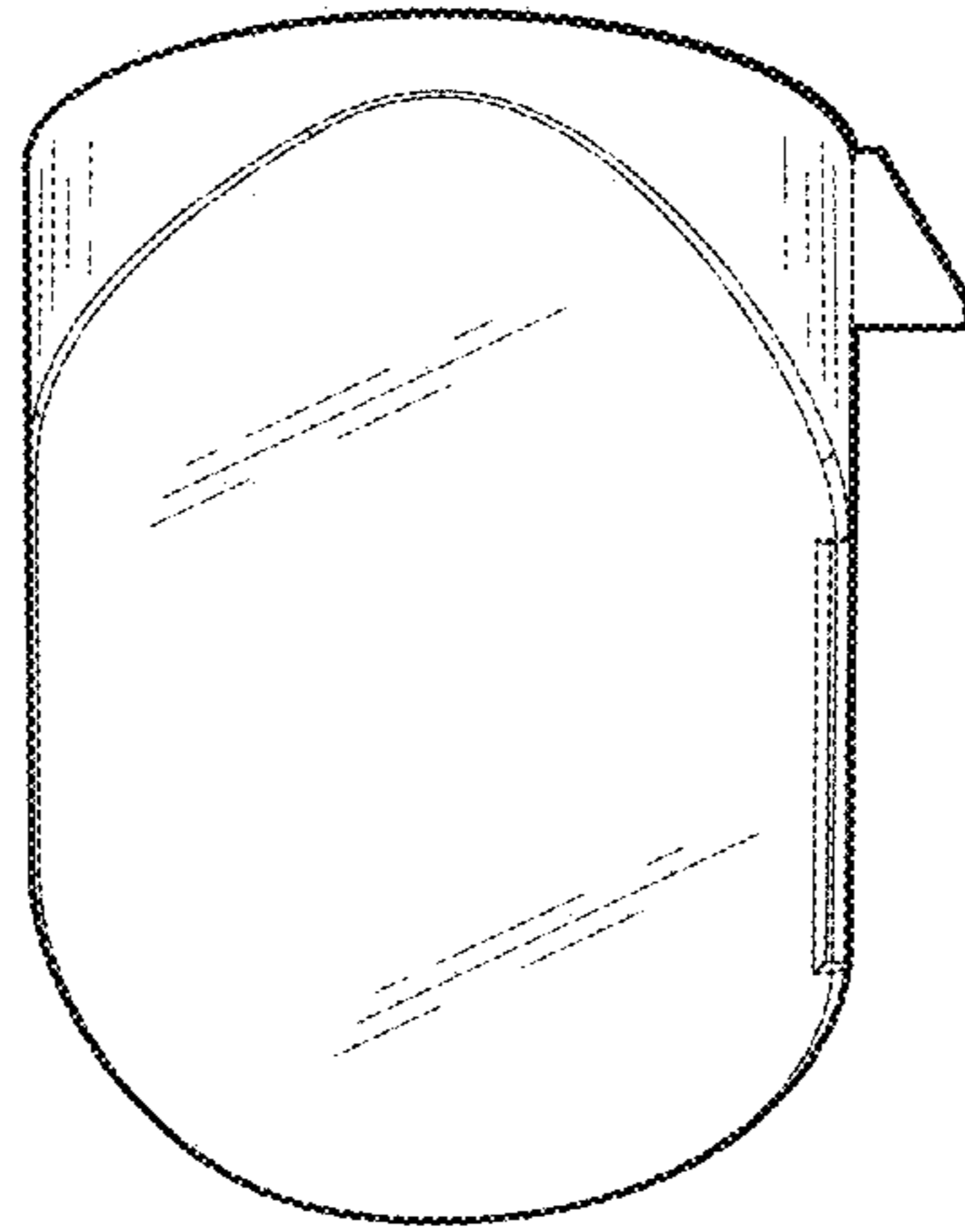


Figure 5

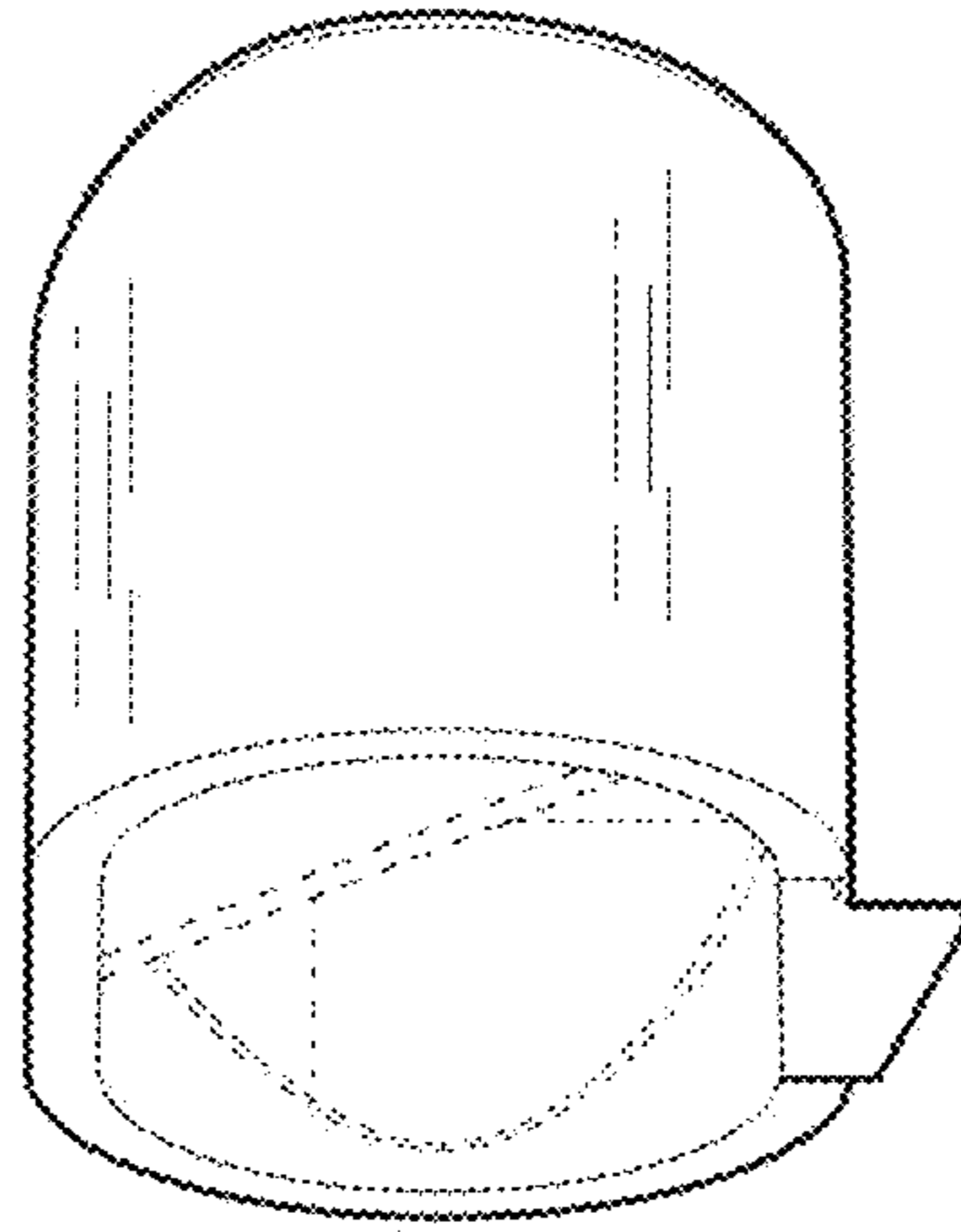


Figure 6

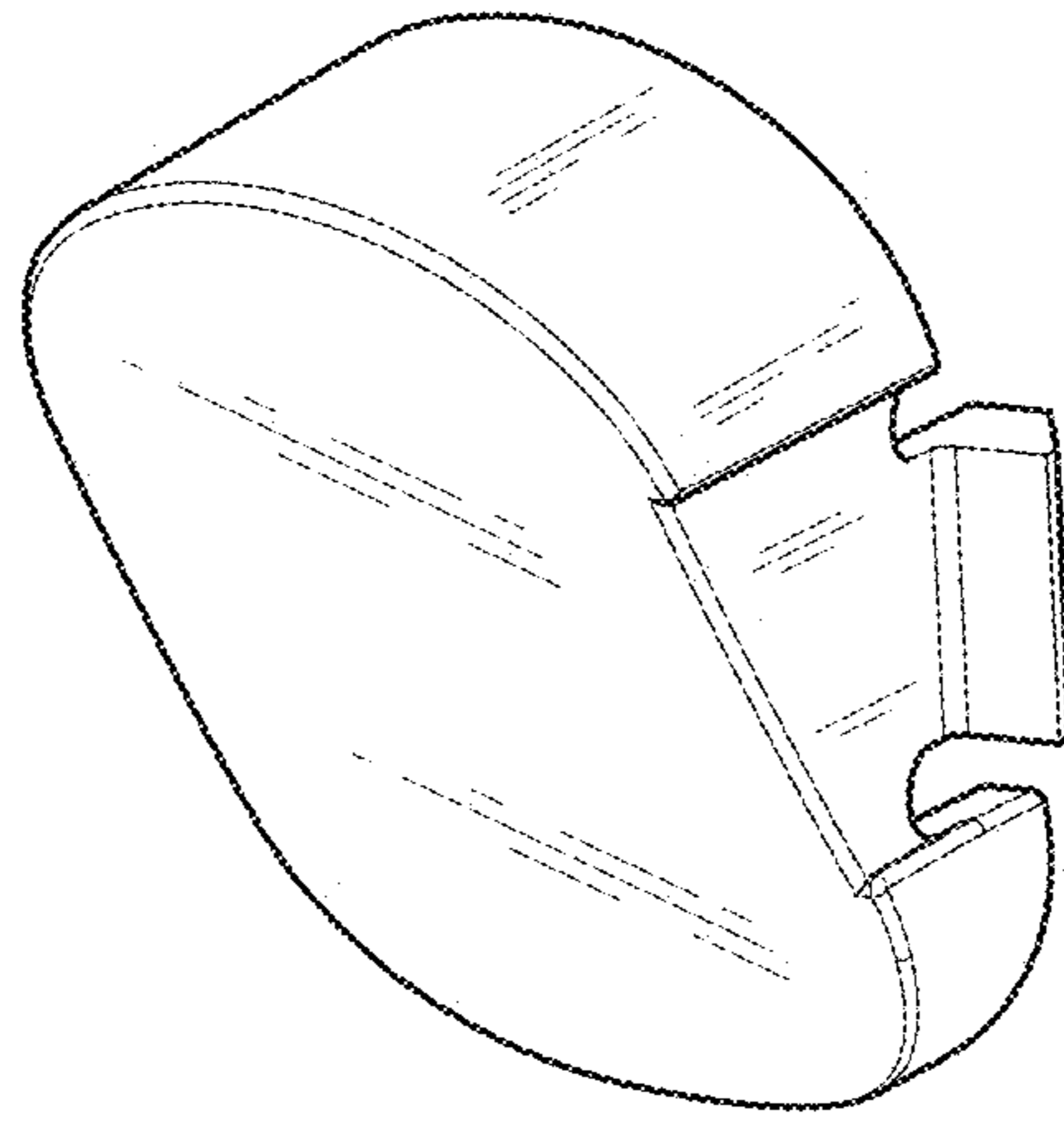


Figure 7

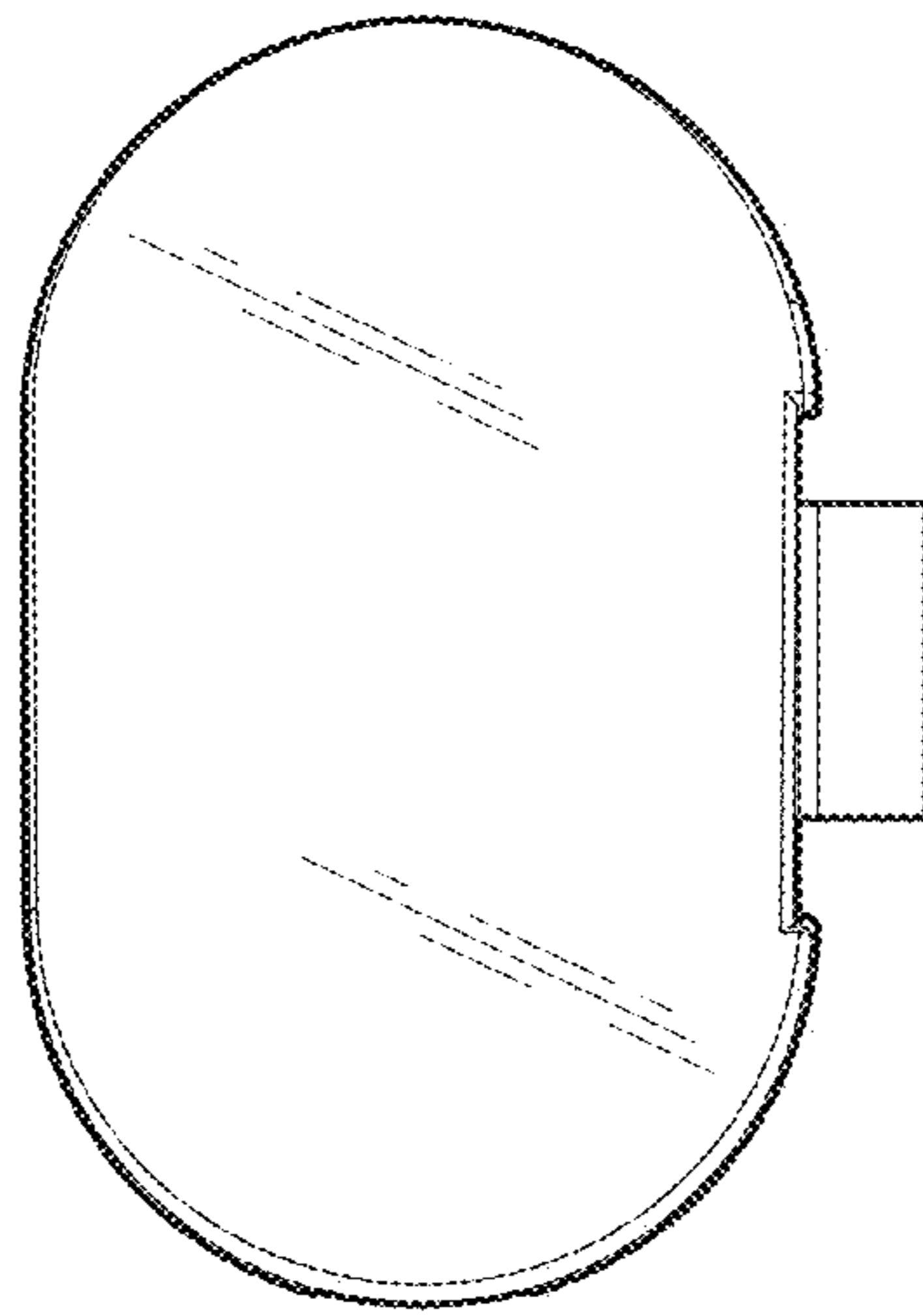


Figure 8

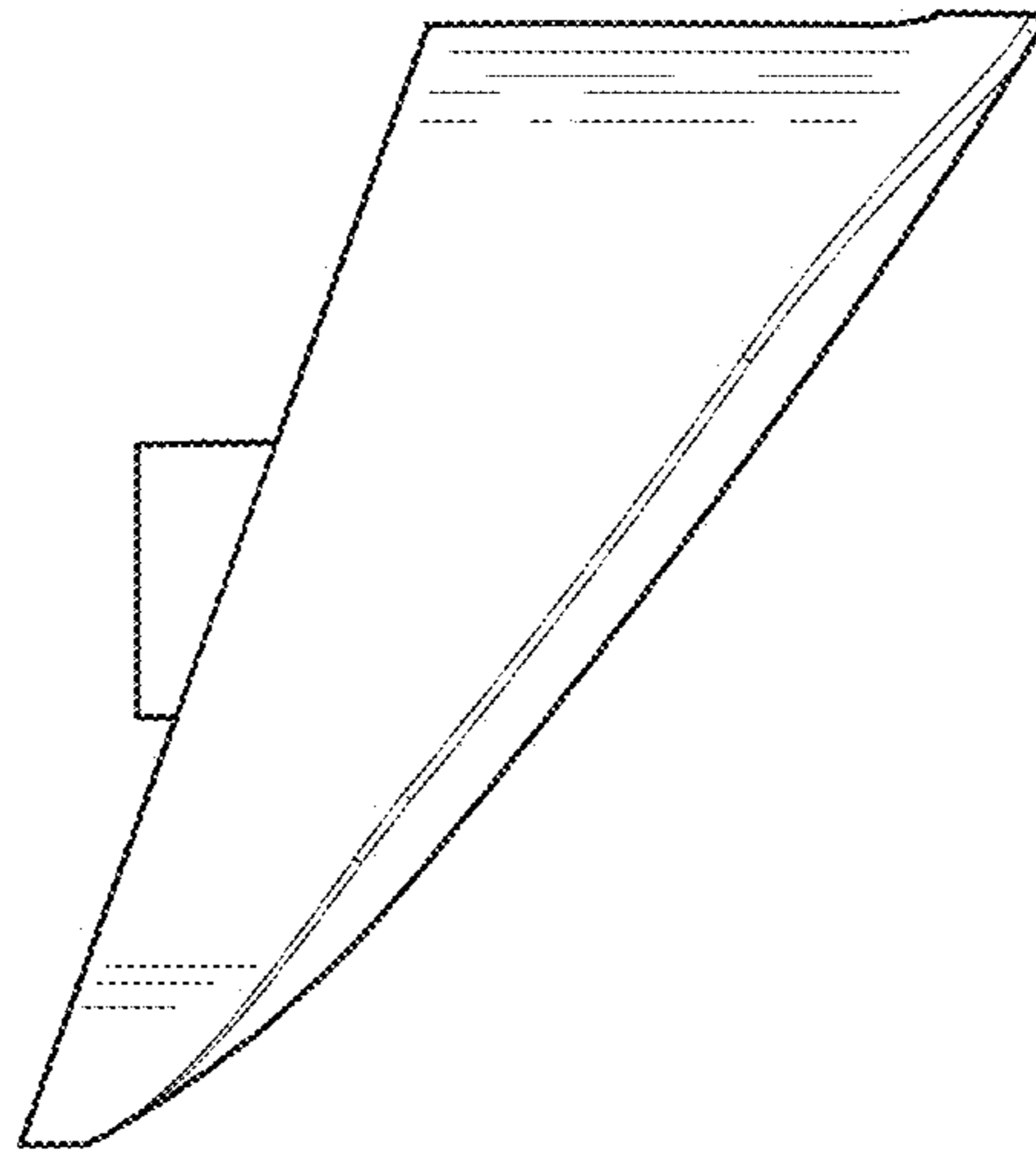


Figure 9

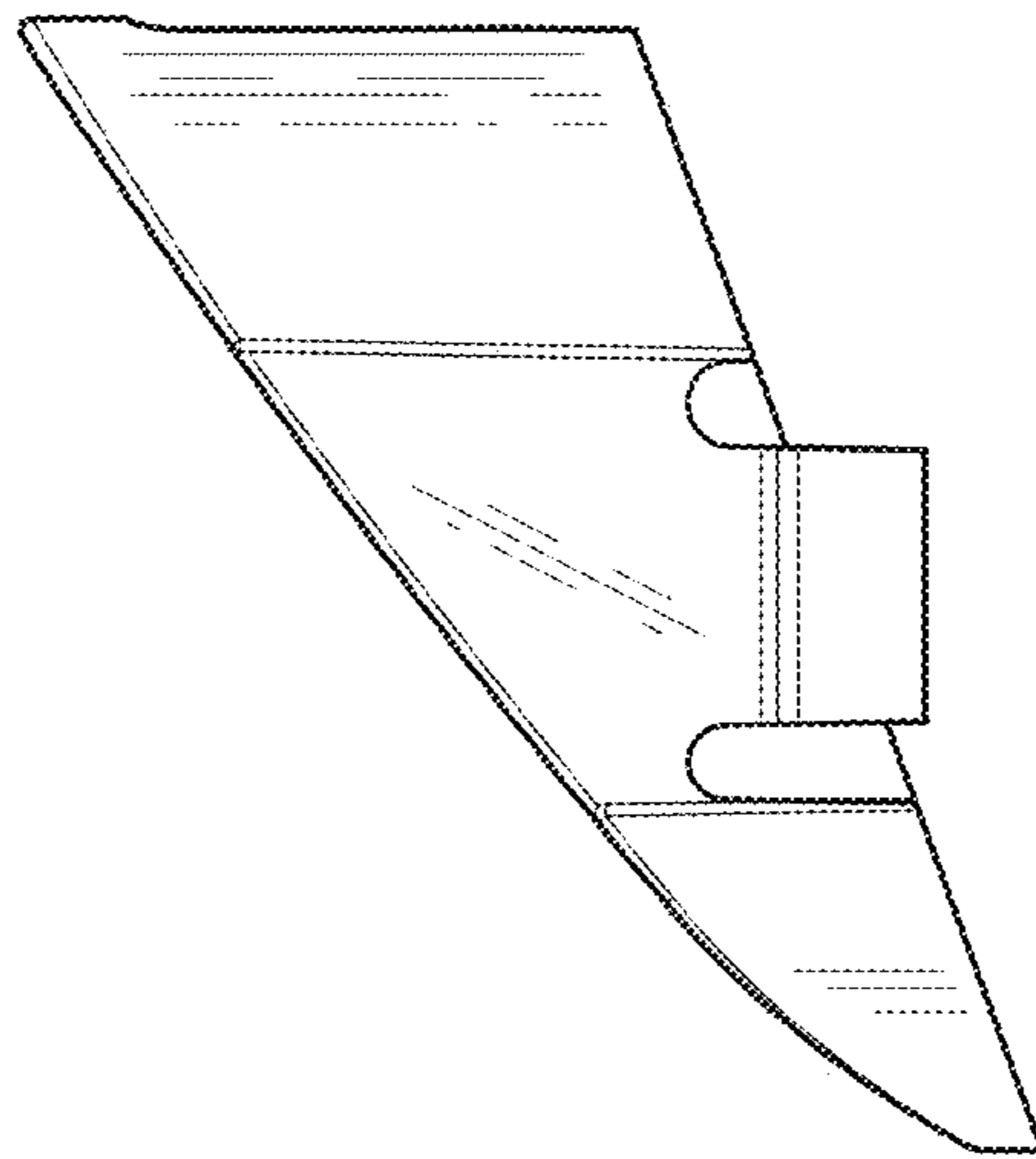


Figure 10

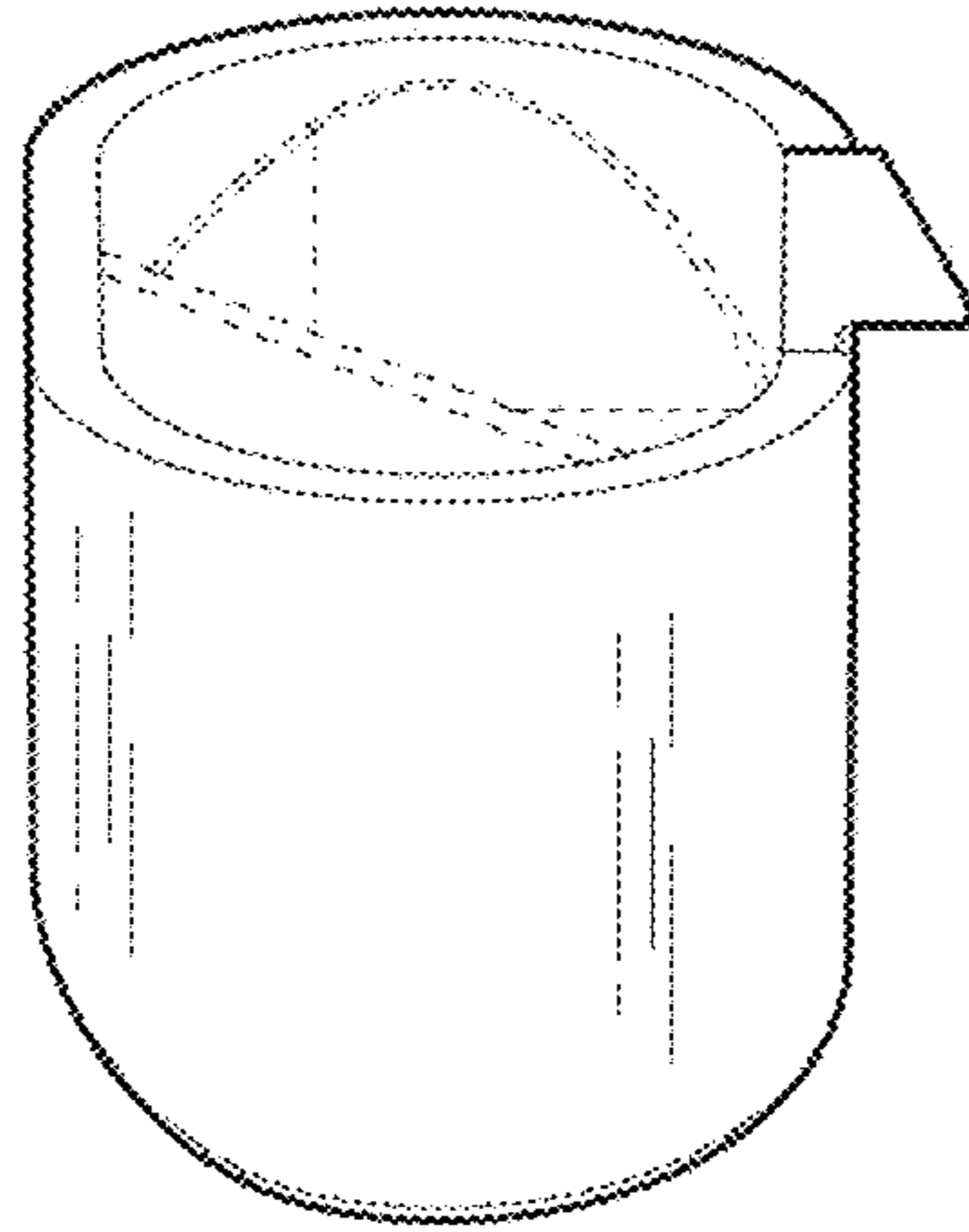


Figure 11

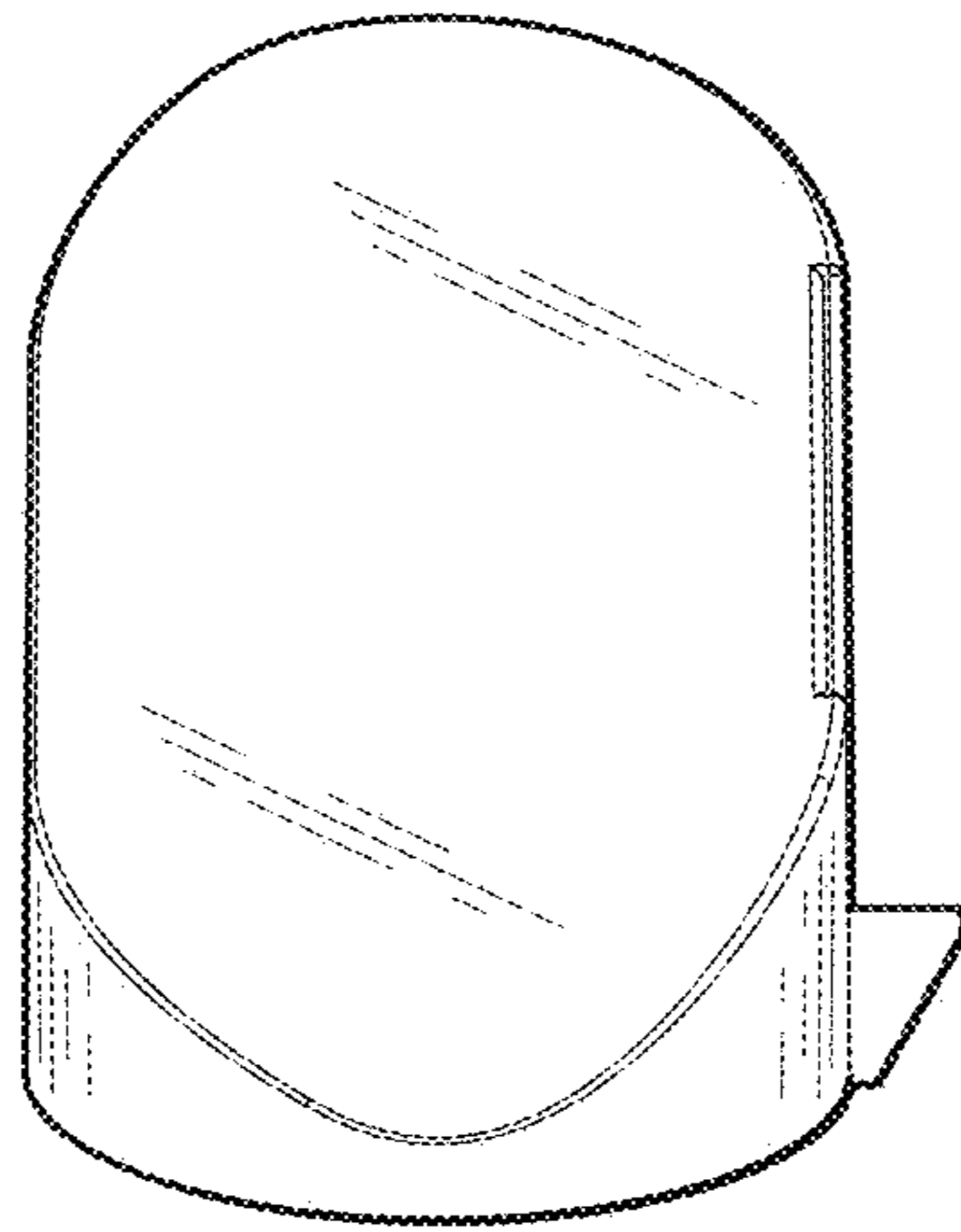


Figure 12