



US00D944622S

(12) **United States Design Patent**
Sweeten

(10) **Patent No.:** **US D944,622 S**
(45) **Date of Patent:** **** Mar. 1, 2022**

(54) **COMBINATION STRIKE PLATE AND SUBPLATE**

(71) Applicant: **Jonathan Sweeten**, Chesapeake, VA (US)

(72) Inventor: **Jonathan Sweeten**, Chesapeake, VA (US)

(**) Term: **15 Years**

(21) Appl. No.: **29/686,874**

(22) Filed: **Apr. 8, 2019**

Related U.S. Application Data

(63) Continuation of application No. 15/376,874, filed on Dec. 13, 2016, now abandoned.

(Continued)

(51) **LOC (13) Cl.** **08-07**

(52) **U.S. Cl.**
USPC **D8/343**

(58) **Field of Classification Search**

USPC D8/336, 338, 343-346, 300-302,
D8/306-329, 330-333

CPC E05B 15/00; E05B 15/02; E05B 17/2003;
E05B 2015/026; E05B 17/20; E05B
17/00; E05B 15/0245; E05B 15/0205;
E05B 15/0255; E05B 15/024; E05B
2015/023;

(Continued)

(56) **References Cited**

U.S. PATENT DOCUMENTS

2,127,891 A * 8/1938 Starling E05B 17/2003
292/346
3,006,677 A * 10/1961 Royalty E05B 15/0245
292/341.18

(Continued)

FOREIGN PATENT DOCUMENTS

KR 300659109.0000 * 8/2011
KR 300659111.0000 * 9/2012

(Continued)

OTHER PUBLICATIONS

GATOR Strike Plates, Strike Plates,Gator Door Latch Restorer-Strike Plate, Date first available Sep. 17, 2014,[online] retrieved May 6, 2021,available from https://www.amazon.com/Gator-Door-Latch-Restorer-Strike/dp/B00NR9QTAQ/ref=sr_1_66?dchild=1&keywords=deadbolt+latch&qid=1620312437& (Year: 2014).*

(Continued)

Primary Examiner — Keli L Hill

Assistant Examiner — Sara S Sahneh

(74) *Attorney, Agent, or Firm* — Kevin Keener; Stephen Presutti

(57) **CLAIM**

The ornamental design for a combination strike plate and subplate, as shown and described.

DESCRIPTION

FIG. 1 is a top front perspective view of a combination strike plate and subplate;

FIG. 2 is a top back perspective view thereof;

FIG. 3 is a front plan view thereof;

FIG. 4 is a rear plan view thereof;

FIG. 5 is a left side plan view thereof;

FIG. 6 is a right side plan view thereof;

FIG. 7 is a bottom plan view thereof;

FIG. 8 is a bottom plan view wherein the tab of the subplate is not bent downward;

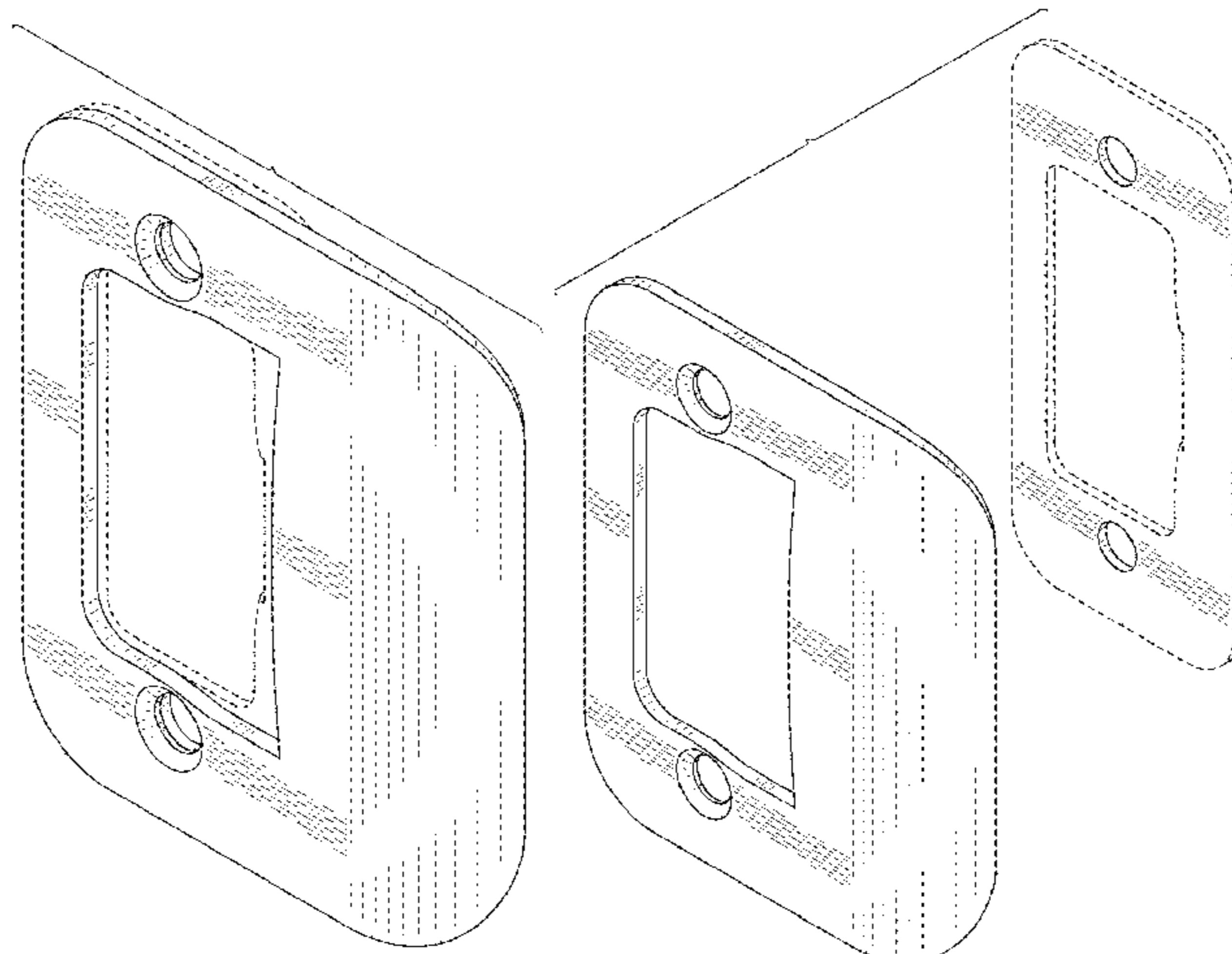
FIG. 9 is a bottom exploded plan view of the configuration of FIG. 7;

FIG. 10 is a top perspective exploded view thereof; and,

FIG. 11 is a top perspective exploded view of the configuration of FIG. 8.

The broken lines shown in the drawings illustrate portions of the article which form no part of the claimed design.

1 Claim, 8 Drawing Sheets



Related U.S. Application Data

(60) Provisional application No. 62/268,166, filed on Dec. 16, 2015.

(58) **Field of Classification Search**

CPC E05B 47/0012; E05B 65/0007; E05B 63/006; E05B 63/10; E05B 27/0003; E05B 79/04; E05B 9/08; E05B 9/002; E05B 63/0017; B27F 5/12; B27F 5/00; Y10S 292/60; E05Y 2201/20; Y10T 292/62; Y10T 292/0867; Y10T 292/0971; Y10T 292/0969; Y10T 292/06; Y10T 292/68; Y10T 292/705; E05C 1/163

See application file for complete search history.

(56) **References Cited**

U.S. PATENT DOCUMENTS

| | | | | |
|-----------|-----|--------|---------------|-------------------------|
| 3,095,021 | A * | 6/1963 | Schlage | B27F 5/12 30/167.1 |
| 4,017,106 | A * | 4/1977 | Salazar | E05B 15/0205 292/340 |
| 5,094,489 | A * | 3/1992 | Jones | E05B 15/0205 292/340 |
| 5,127,690 | A * | 7/1992 | Kim | E05B 15/0245 292/340 |

| | | | | |
|--------------|------|---------|--------------------|-------------------------|
| 6,406,076 | B1 * | 6/2002 | Zarzycki, Jr. | E05B 17/2003 292/346 |
| 6,834,897 | B1 * | 12/2004 | Walker | E05B 15/0205 292/340 |
| 2007/0096480 | A1 * | 5/2007 | Arneson | E05B 15/0205 292/340 |
| 2015/0204107 | A1 * | 7/2015 | Sweeten | E05B 15/0205 292/340 |
| 2016/0348396 | A1 * | 12/2016 | Hunt | E05B 17/2003 |

FOREIGN PATENT DOCUMENTS

| | | | |
|----|----------------|---|--------|
| KR | 300747604.0000 | * | 6/2013 |
| KR | 300935412.0000 | * | 7/2017 |

OTHER PUBLICATIONS

Defender Security Store, Standard Latch Strike, Date first available Feb. 20, 2013, [online]retrieved May 10, 2021, available from https://www.amazon.com/Defender-Security-2301-Standard-Stainless/dp/B008RIGHVS/ref=psdc_511280_t5_B07857ZB4B (Year: 2013).*
Generic, Extended Full Lip Strike Plate Date first available Sep. 2, 2018, [online]retrieved May 13, 2021, available from https://www.amazon.com/Extended-Strike-Rubbed-Striker-Overall/dp/B07H1QZSJ7/ref=pd_di_sccai_5?pd_rd_w=SIHB7&pf_rd_p=c9443270-b914-4 (Year: 2018).*

* cited by examiner

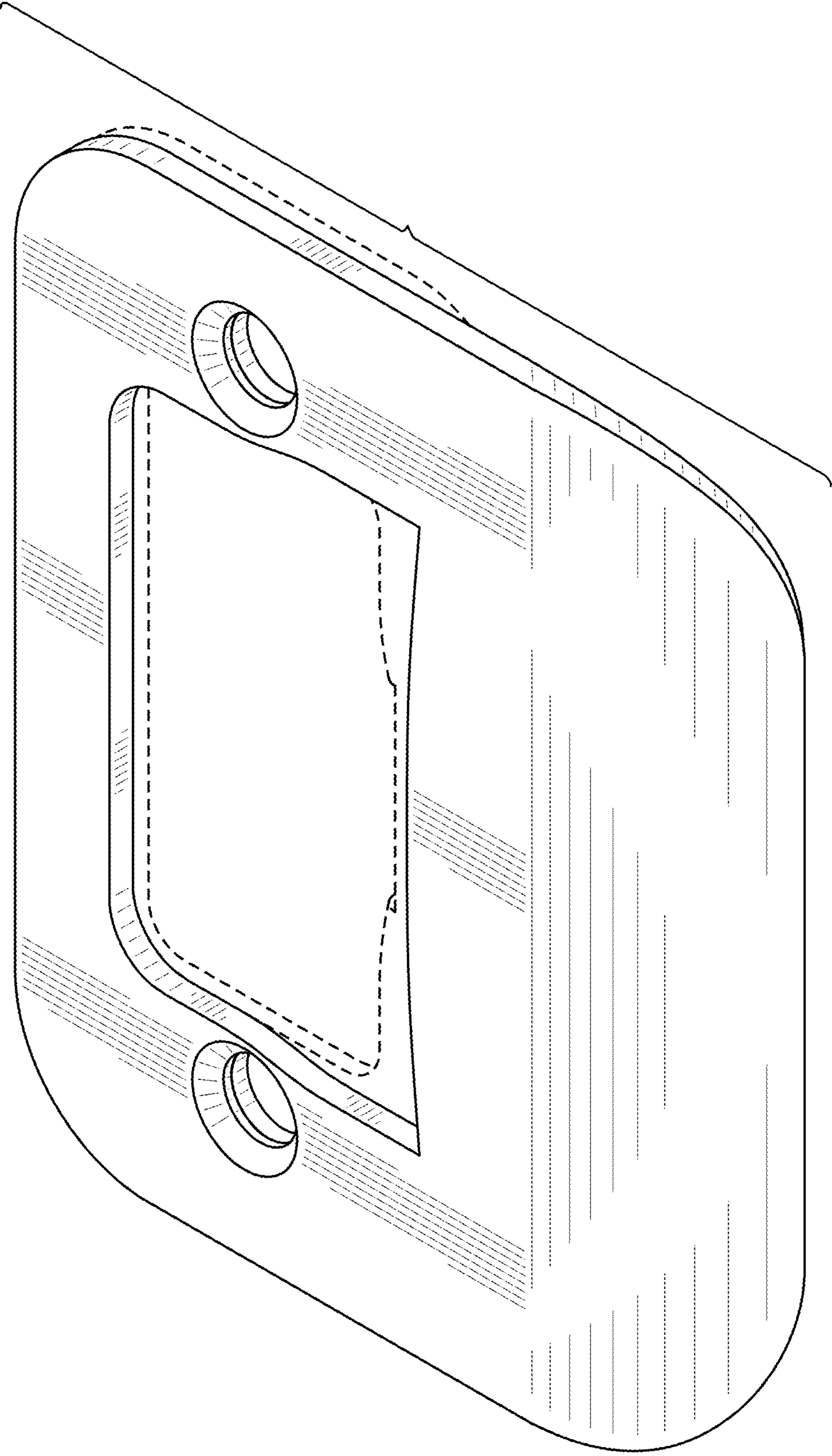


FIG. 1

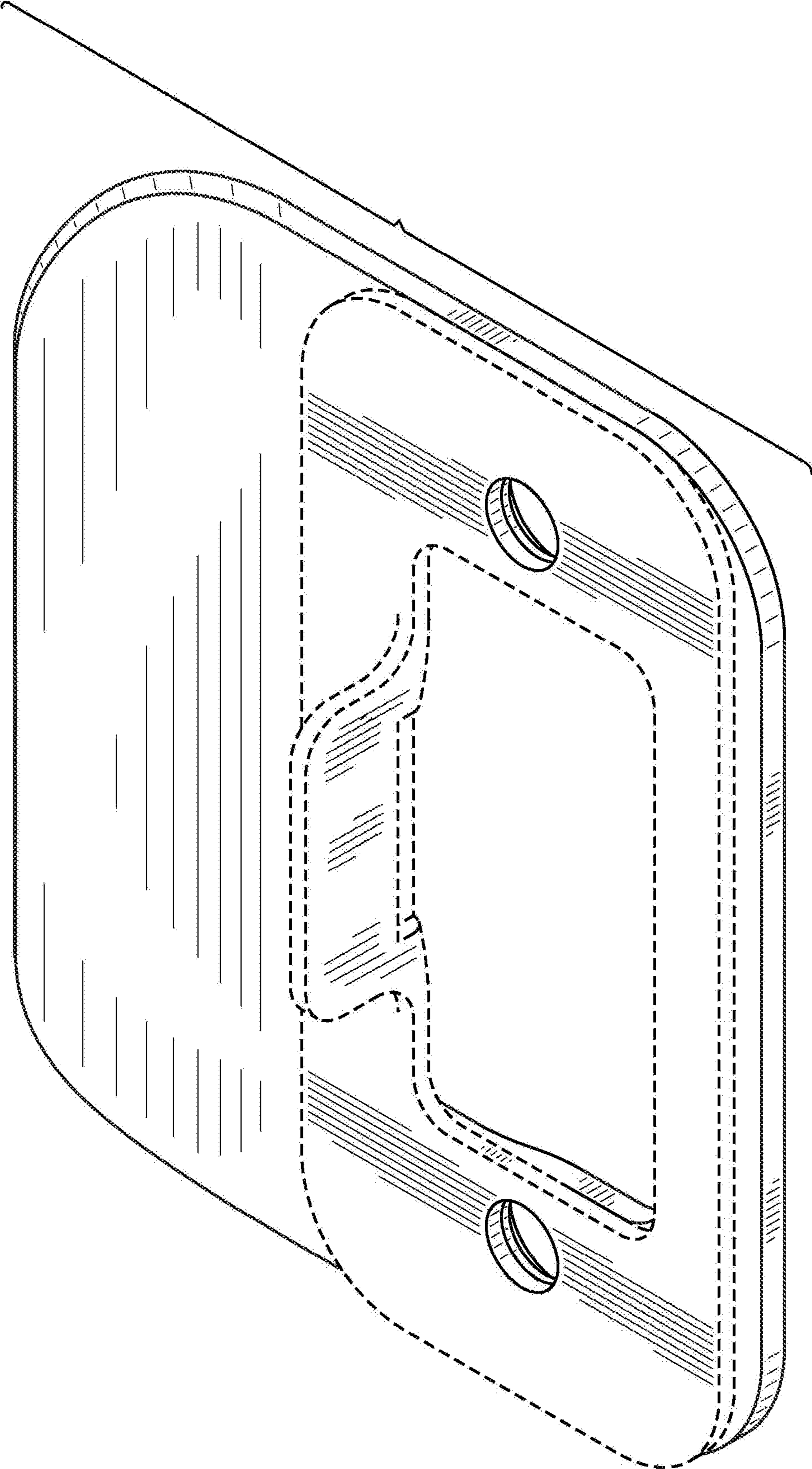


FIG. 2

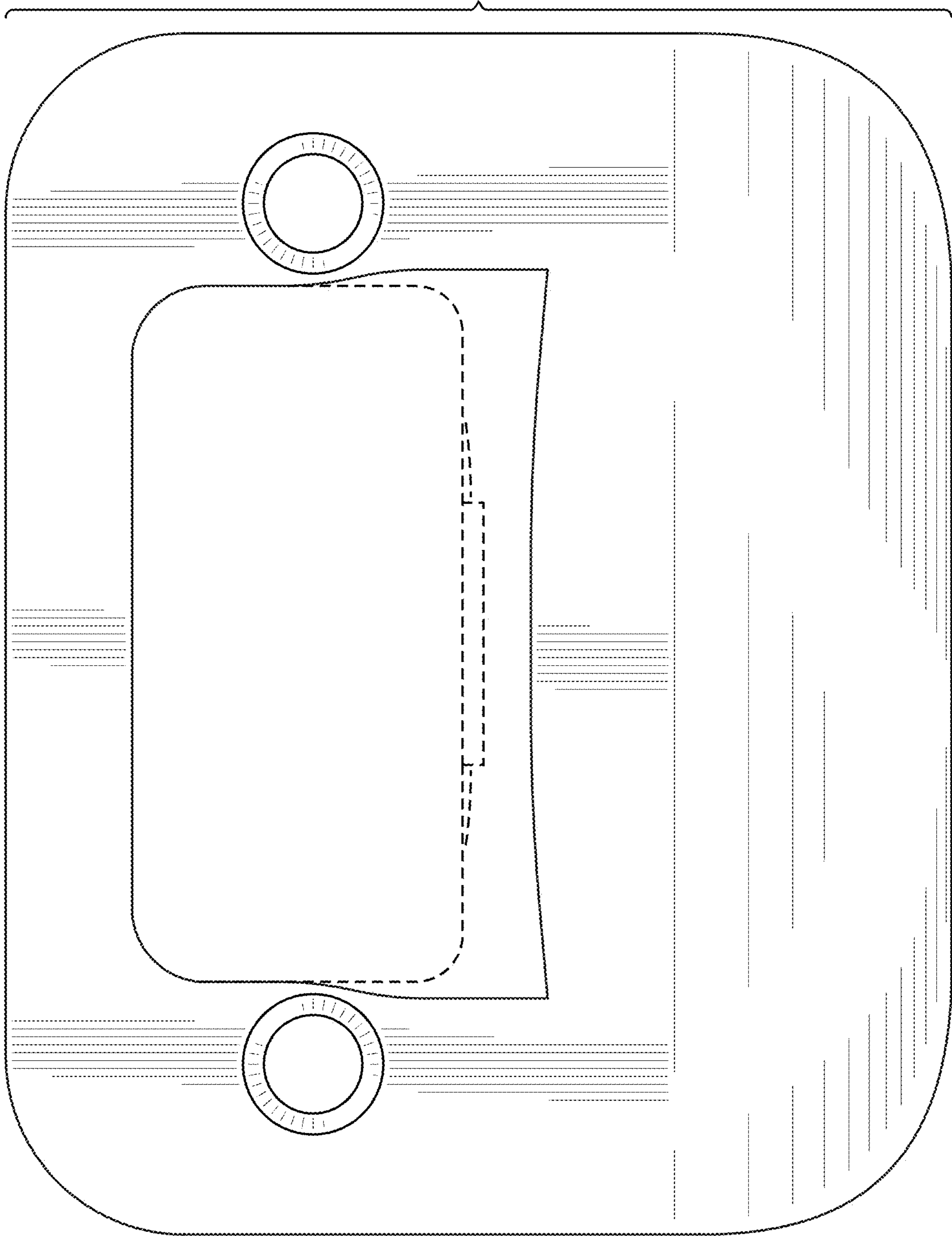


FIG. 3

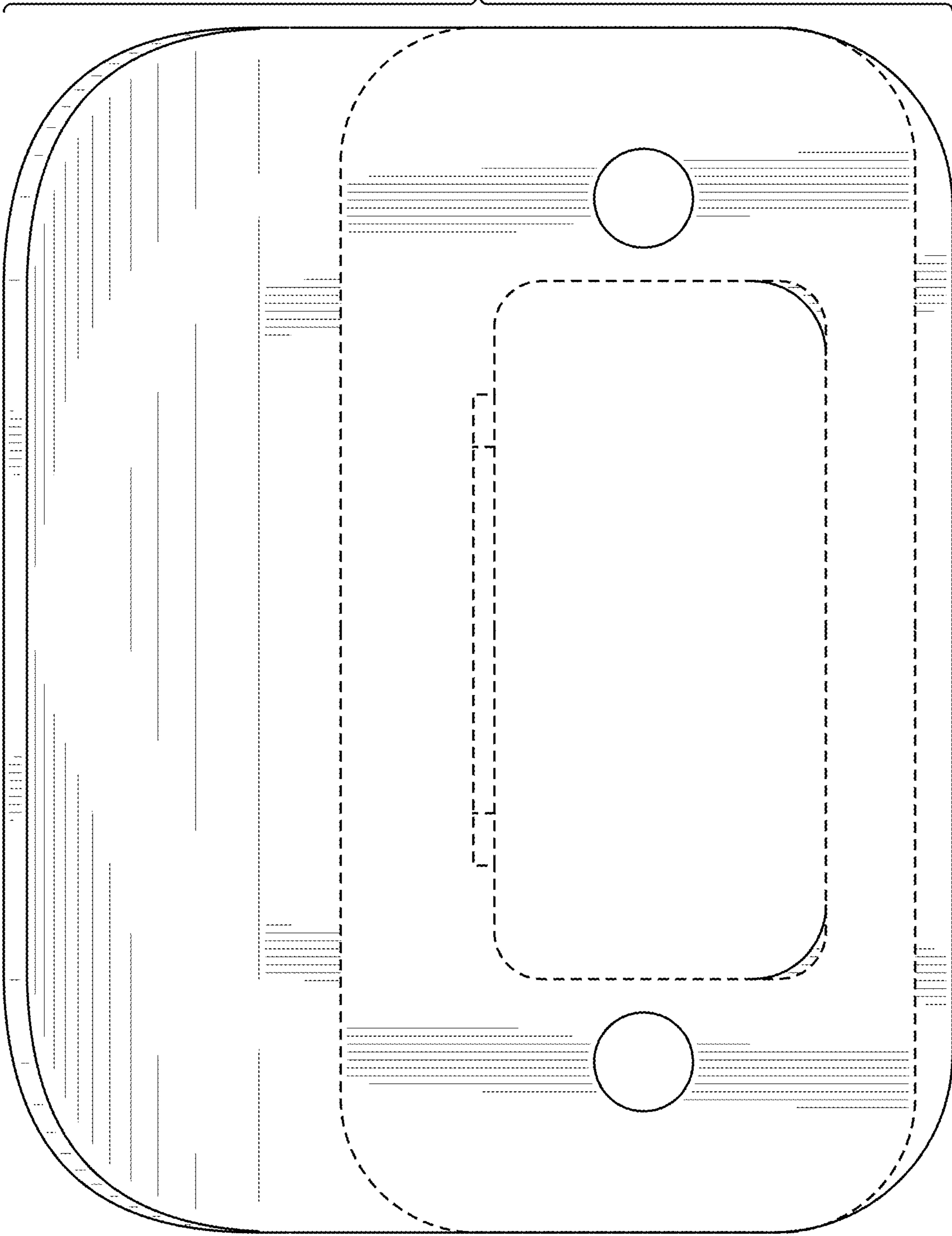


FIG. 4

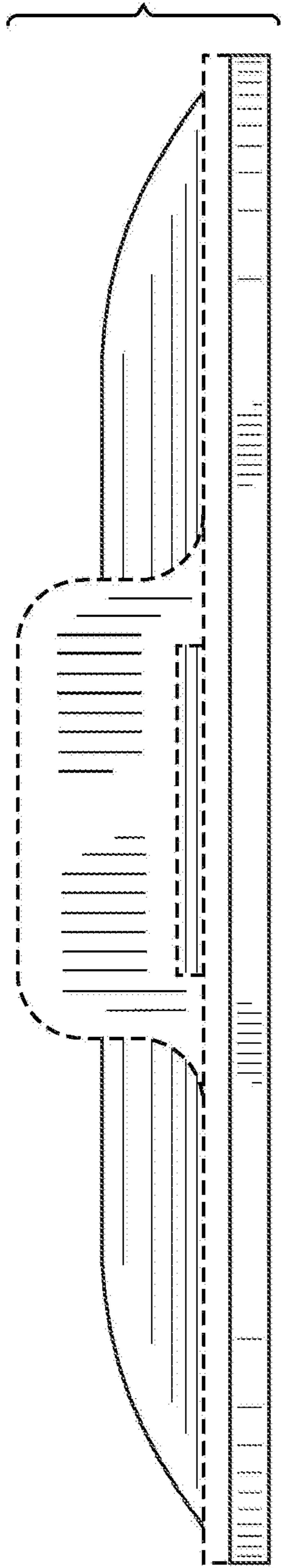


FIG. 5

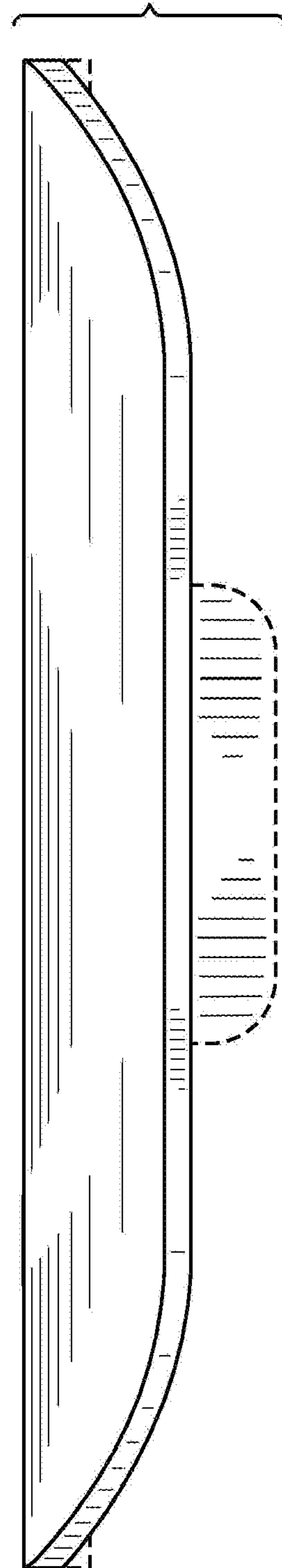


FIG. 6

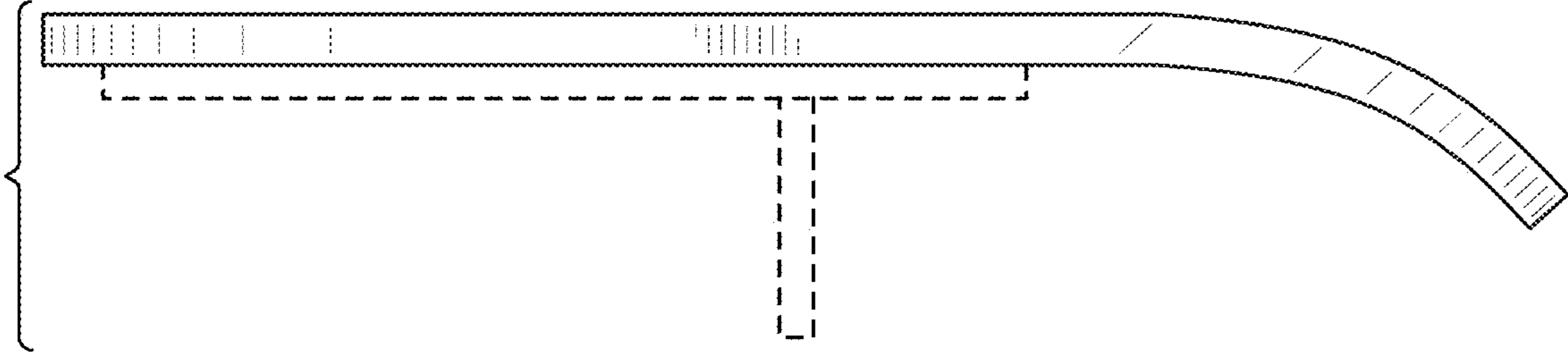


FIG. 7

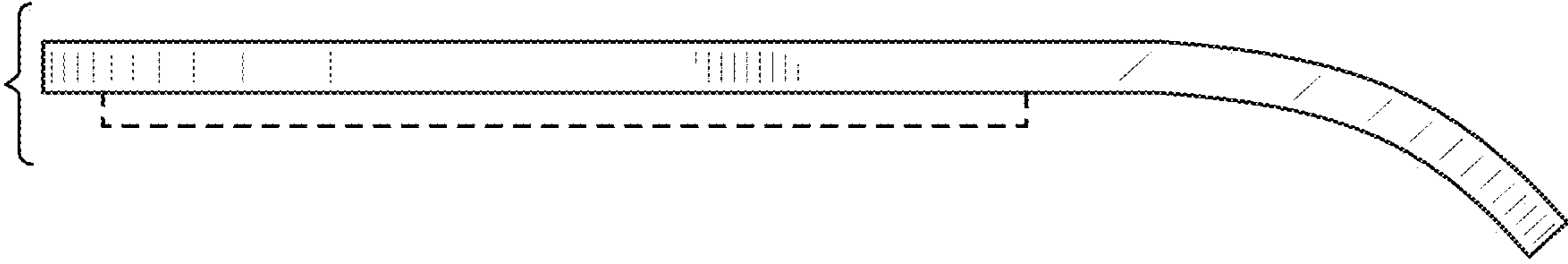


FIG. 8

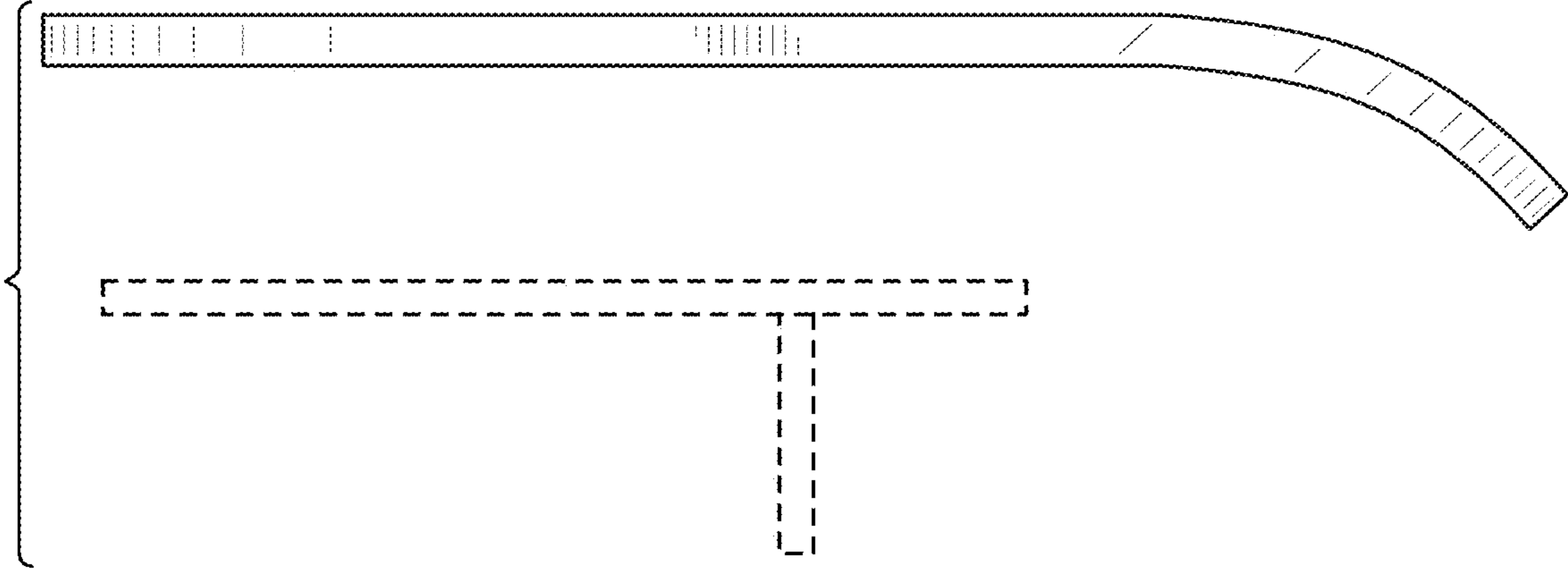


FIG. 9

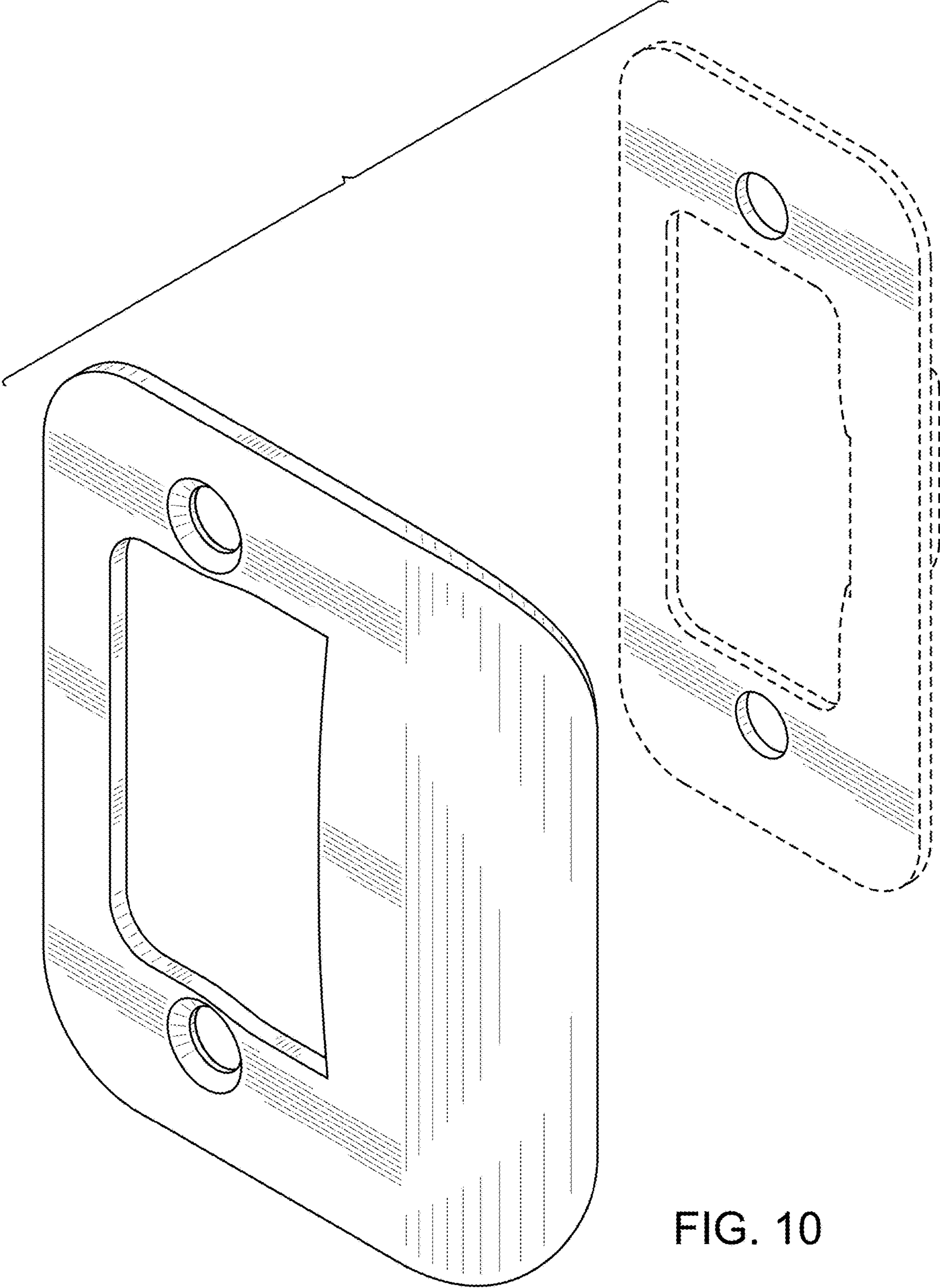


FIG. 10

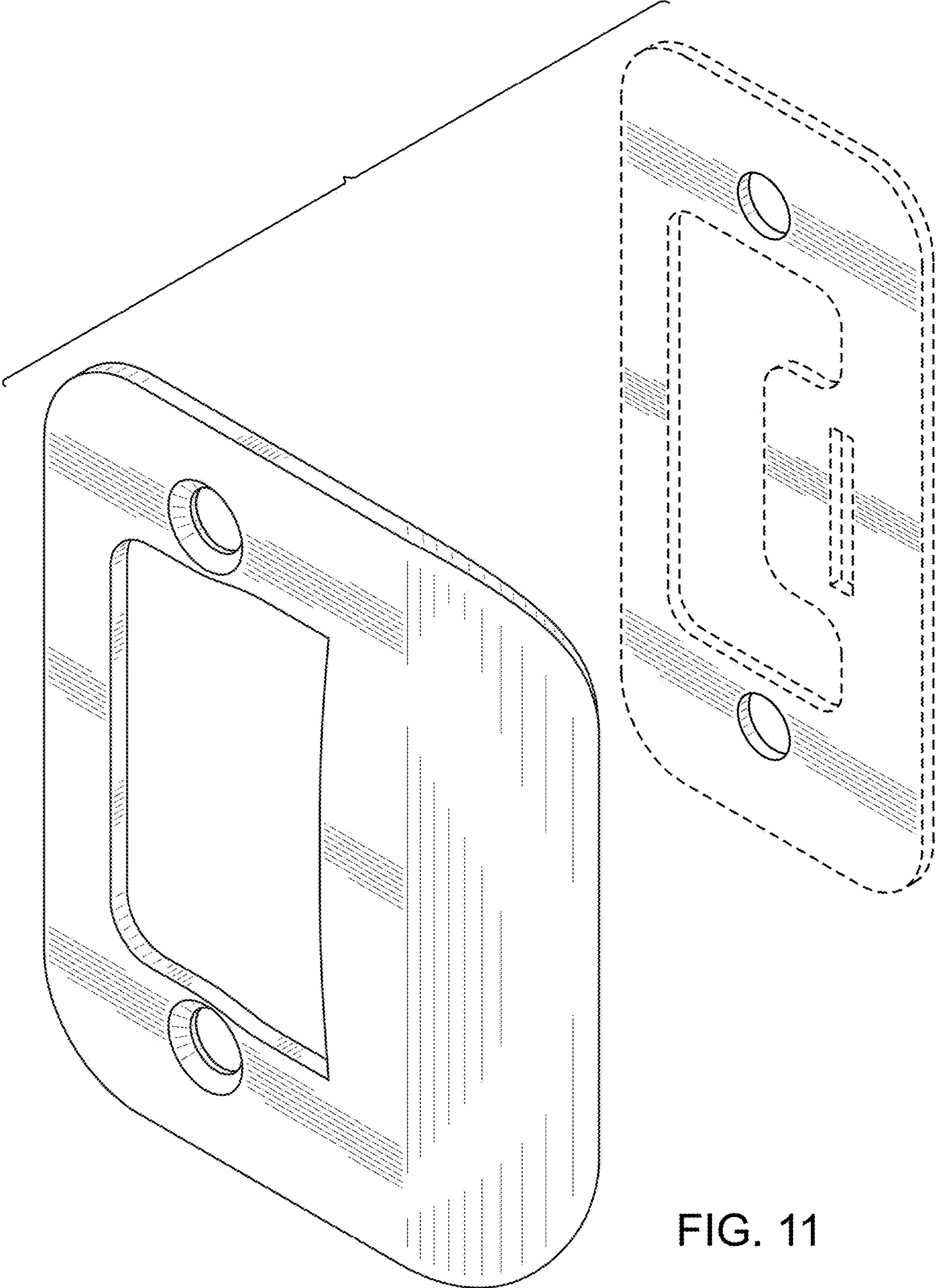


FIG. 11