



US00D944619S

(12) **United States Design Patent**
Rotem et al.

(10) **Patent No.:** **US D944,619 S**
(45) **Date of Patent:** **** Mar. 1, 2022**

- (54) **VACUUM GRIPPER**
- (71) Applicant: **Nemo Power Tools Ltd.**, Hong Kong (CN)
- (72) Inventors: **Nimrod Rotem**, Hong Kong (CN);
Oleg Joukov, Shaar Efraim (IL);
Eduard Tsfasman, Shaar Efraim (IL)
- (73) Assignee: **Nemo Power Tools Limited**, Hongkong (CN)

D490,201 S *	5/2004	Liao	D34/28
7,963,578 B2 *	6/2011	Wells	B66C 1/06 294/2
D651,505 S *	1/2012	Roth	D8/373
8,235,337 B2 *	8/2012	Ostendarp	F16B 47/006 248/205.7
D893,981 S *	8/2020	Livingston, Jr.	D8/315
D932,726 S *	10/2021	Rotem	D34/28
D933,927 S *	10/2021	Rotem	D34/28
D934,524 S *	10/2021	Rotem	D34/28
2009/0166490 A1 *	7/2009	Liao	F16B 47/00 248/205.8

(Continued)

- (**) Term: **15 Years**
- (21) Appl. No.: **29/786,134**
- (22) Filed: **May 28, 2021**

Related U.S. Application Data

- (63) Continuation-in-part of application No. 29/753,783, filed on Oct. 1, 2020, now Pat. No. Des. 933,927.
- (51) **LOC (13) Cl.** **08-05**
- (52) **U.S. Cl.**
USPC **D8/107**; D8/45
- (58) **Field of Classification Search**
USPC D8/349, 354, 373; D34/28
CPC ... B29C 48/022; B29C 48/0012; B29C 48/91;
B29C 48/03; B29C 44/26; B66C 1/023;
B66C 1/0281; B66C 1/0293; F16J 15/10;
F16J 15/022; F16J 15/104; F16B 47/00
See application file for complete search history.

References Cited

U.S. PATENT DOCUMENTS

D269,939 S *	8/1983	Norman	D15/140
6,039,371 A *	3/2000	Smith	E04F 21/22 254/200
D446,623 S *	8/2001	Smith	D34/35
6,382,692 B1 *	5/2002	Schmalz	B25J 15/0616 294/189

OTHER PUBLICATIONS

“Nemo Grabo—Heavy Lifting Made Easy.” Grabo., Apr. 30, 2021 [online], [retrieved on Dec. 24, 2021]. Retrieved from the Internet <URL: https://grabo.com/wp-content/uploads/2021/05/002_NEMO-GRABO-A4_v5_Print.pdf>.*

(Continued)

Primary Examiner — Darlington Ly
(74) *Attorney, Agent, or Firm* — Connie R. Masters

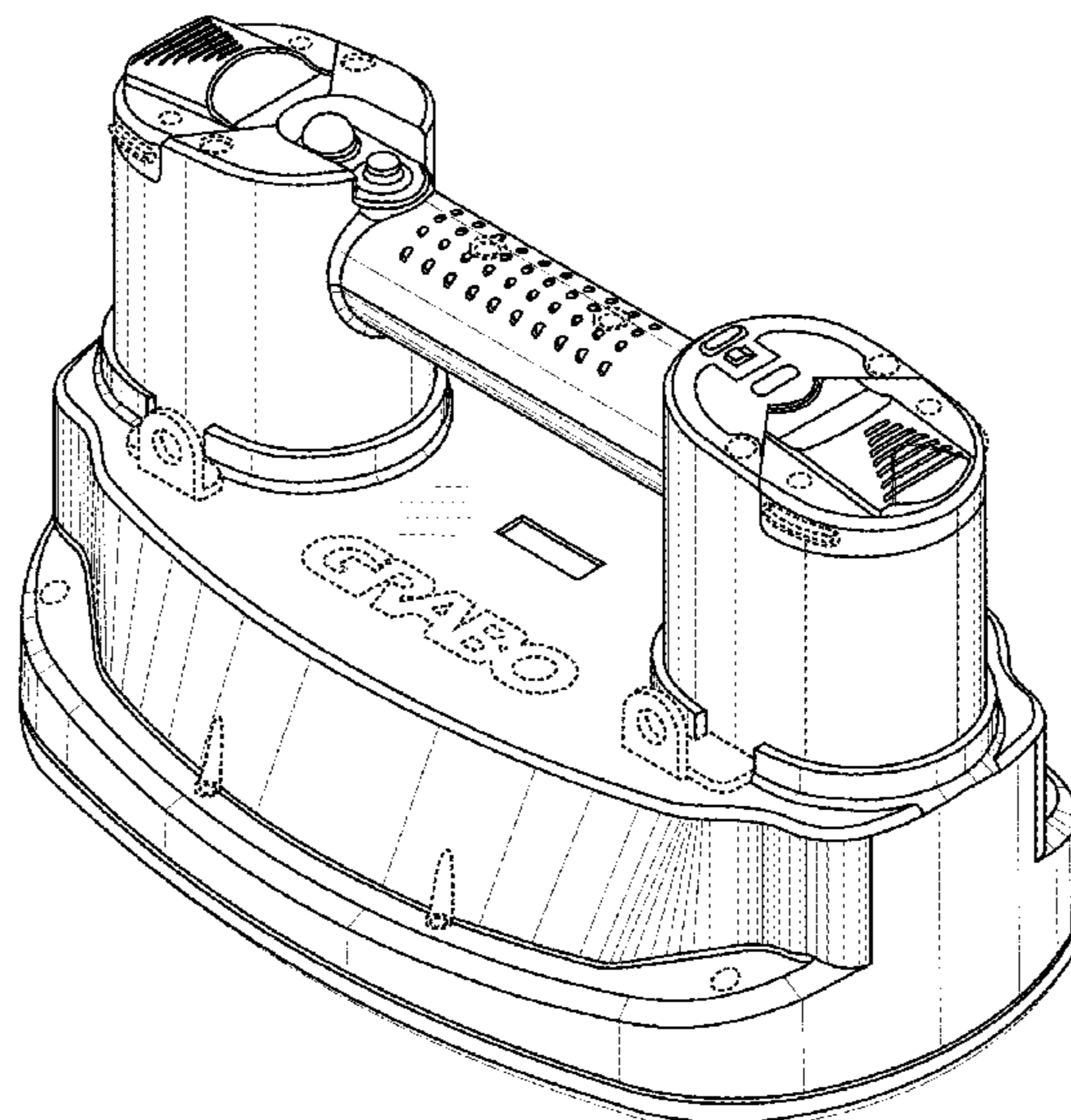
(57) **CLAIM**

The ornamental design for a vacuum gripper, as shown and described.

DESCRIPTION

FIG. 1 is a perspective view of a vacuum gripper embodying our new design;
FIG. 2 is a bottom plan view thereof;
FIG. 3 is a left side elevation view thereof;
FIG. 4 is a top plan view thereof;
FIG. 5 is a rear elevation view thereof;
FIG. 6 is a front elevation view thereof; and,
FIG. 7 is a top plan view thereof.
The broken lines in the drawings illustrate portions of the vacuum gripper that form no part of the claimed design.

1 Claim, 7 Drawing Sheets



(56)

References Cited

U.S. PATENT DOCUMENTS

2014/0035304 A1* 2/2014 Seebauer B66C 1/0293
294/189

OTHER PUBLICATIONS

“Grabo H—Heavy Lifting Made Easy.” Grabo., May 13, 2021 [online], [retrieved on Dec. 24, 2021]. Retrieved from the Internet <URL: https://grabo.com/wp-content/uploads/2021/05/002_Grabo-H-A4_v5_print-1.pdf>.*

“4-²/₃In. Dual Suction Cup Lifter—125 Lb . . .” Harbor Frieght., Dec. 28, 2020 [online], [retrieved on Dec. 24, 2021]. Retrieved from the Internet <URL: https://www.harborfreight.com/4-23-in-dual-suction-cup-lifter-125-lb-57501.html?utm_source=google&utm_medium=cpc&utm_campaign=12144811130&campaignid=12144811130&utm_content=1177>.*

* cited by examiner

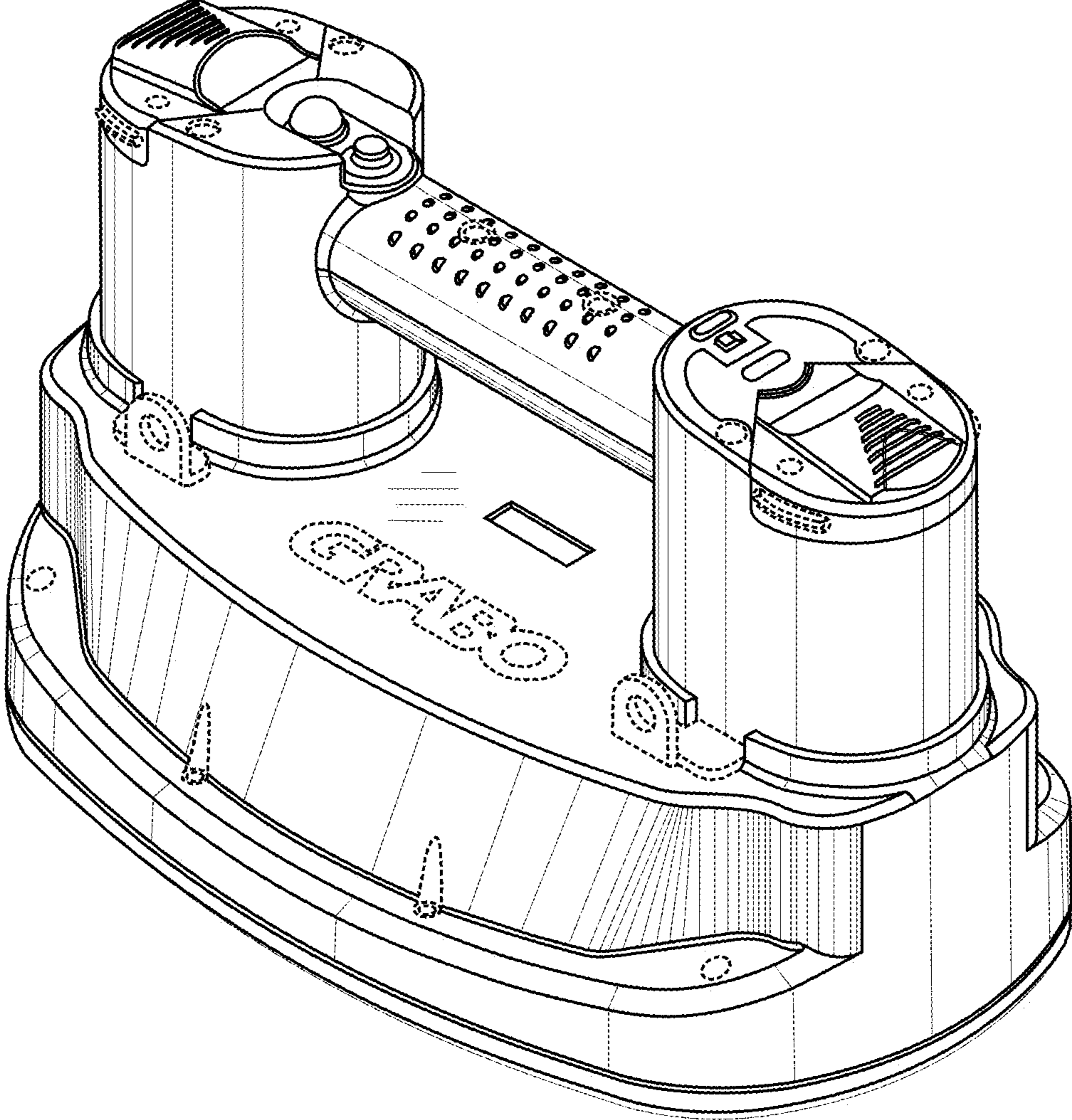


FIG. 1

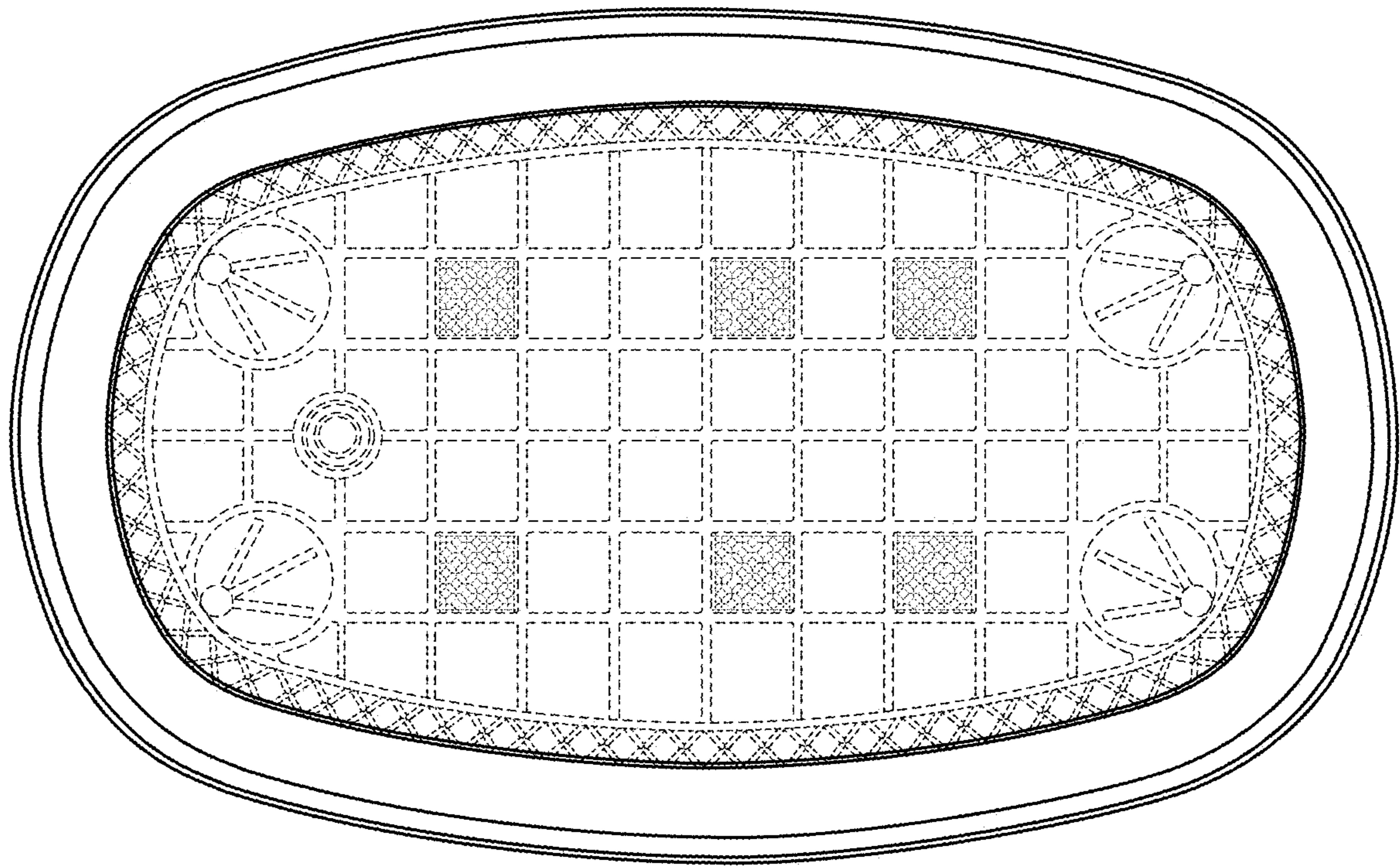


FIG. 2

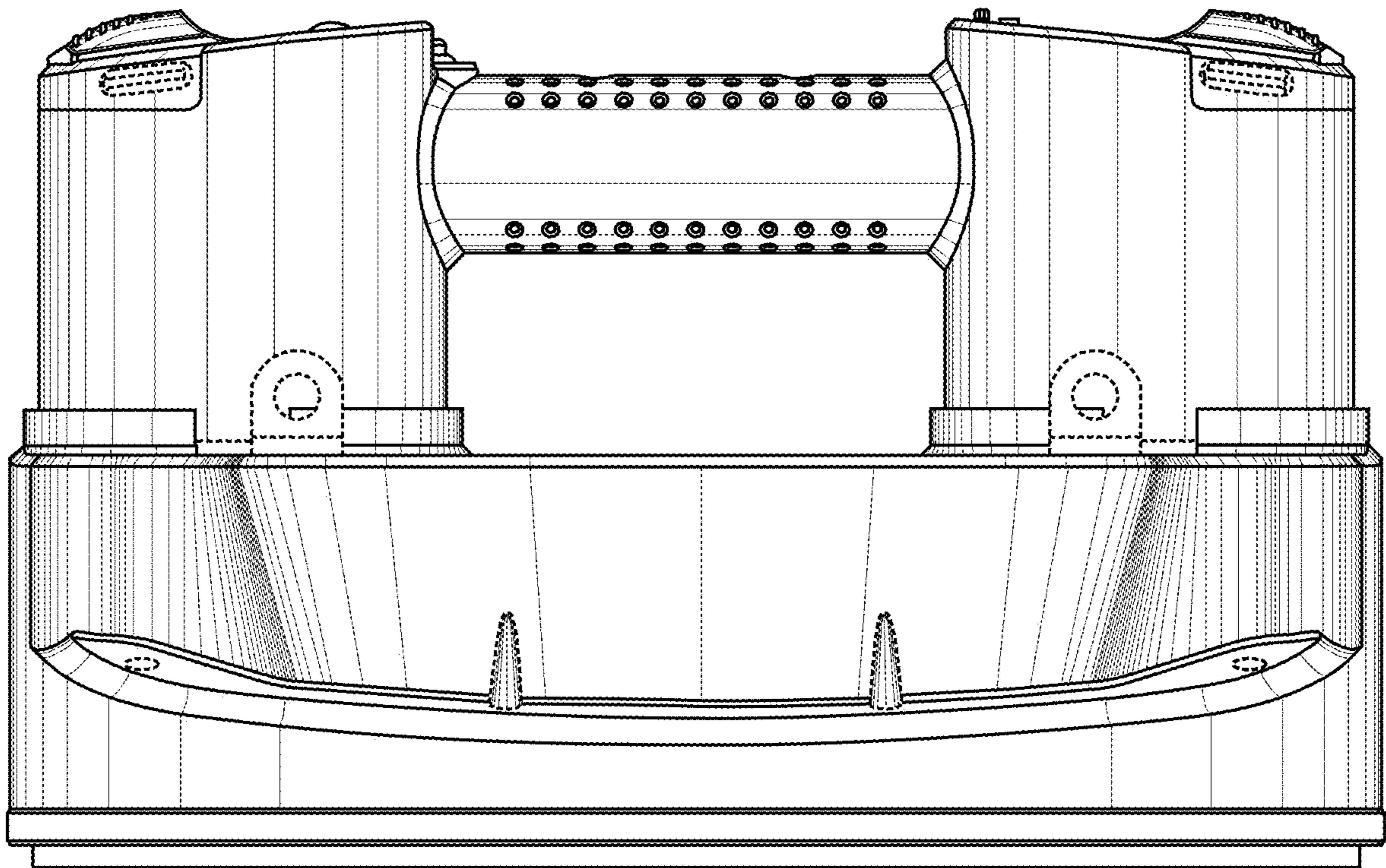


FIG. 3

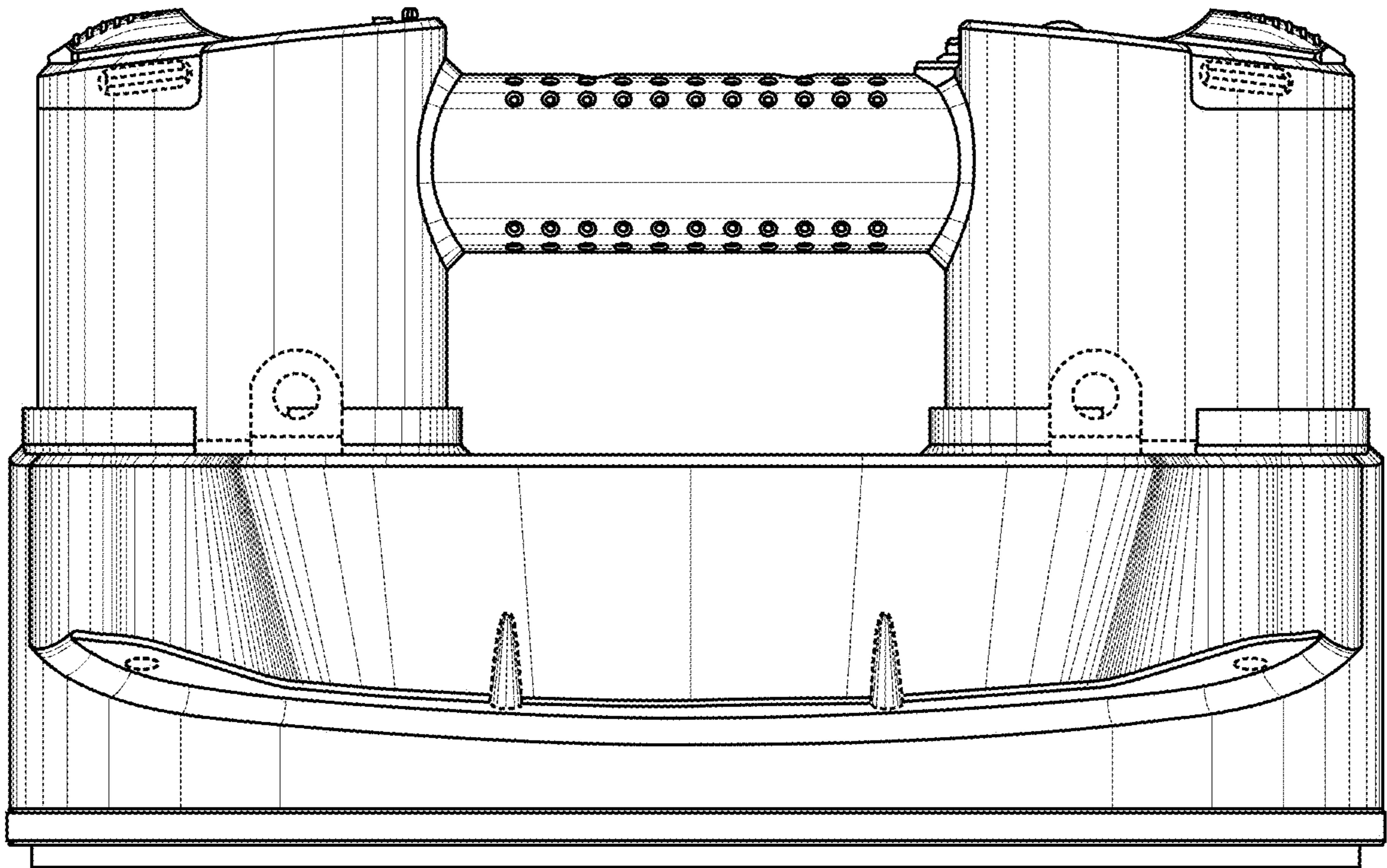


FIG. 4

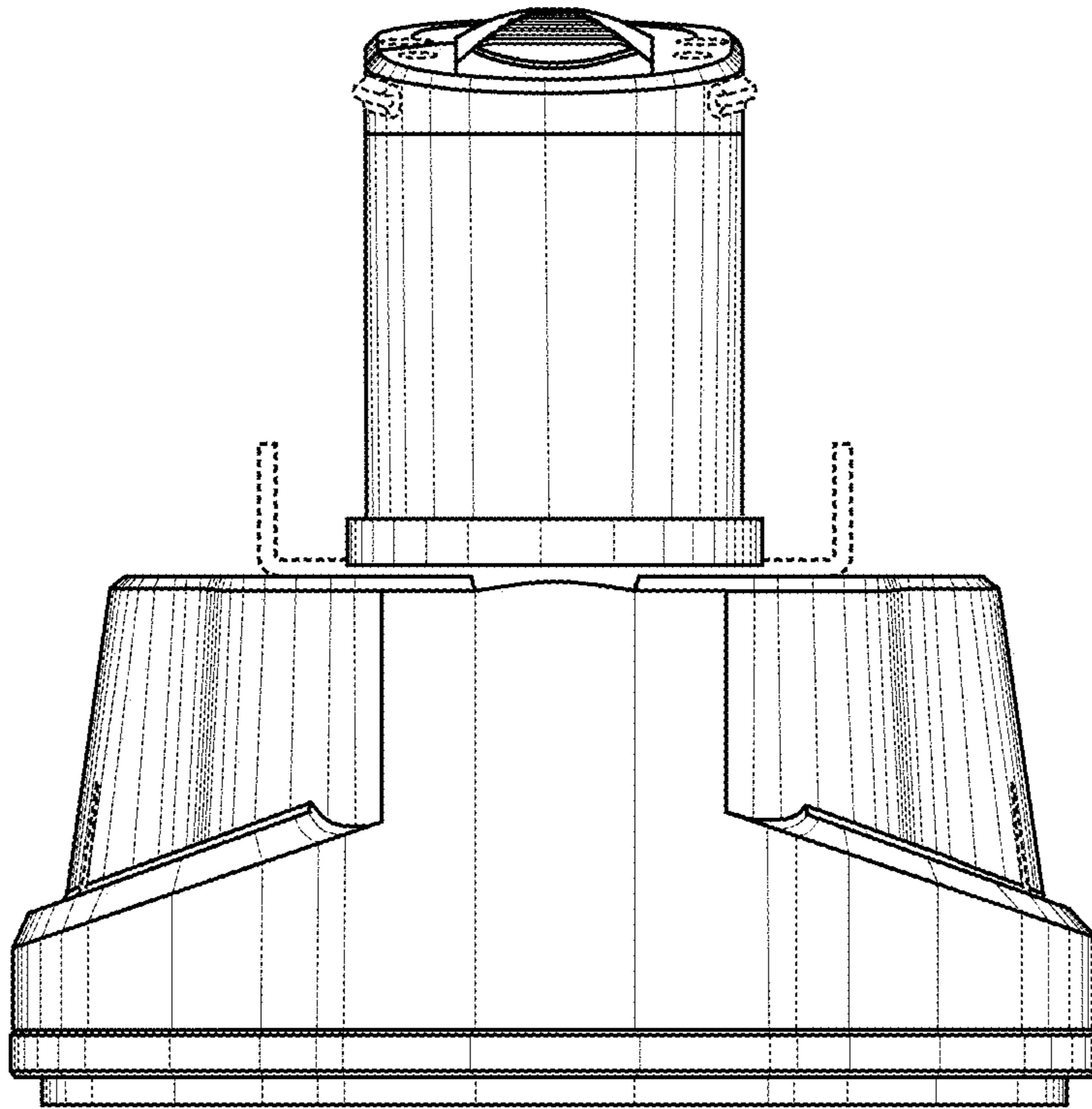


FIG. 5

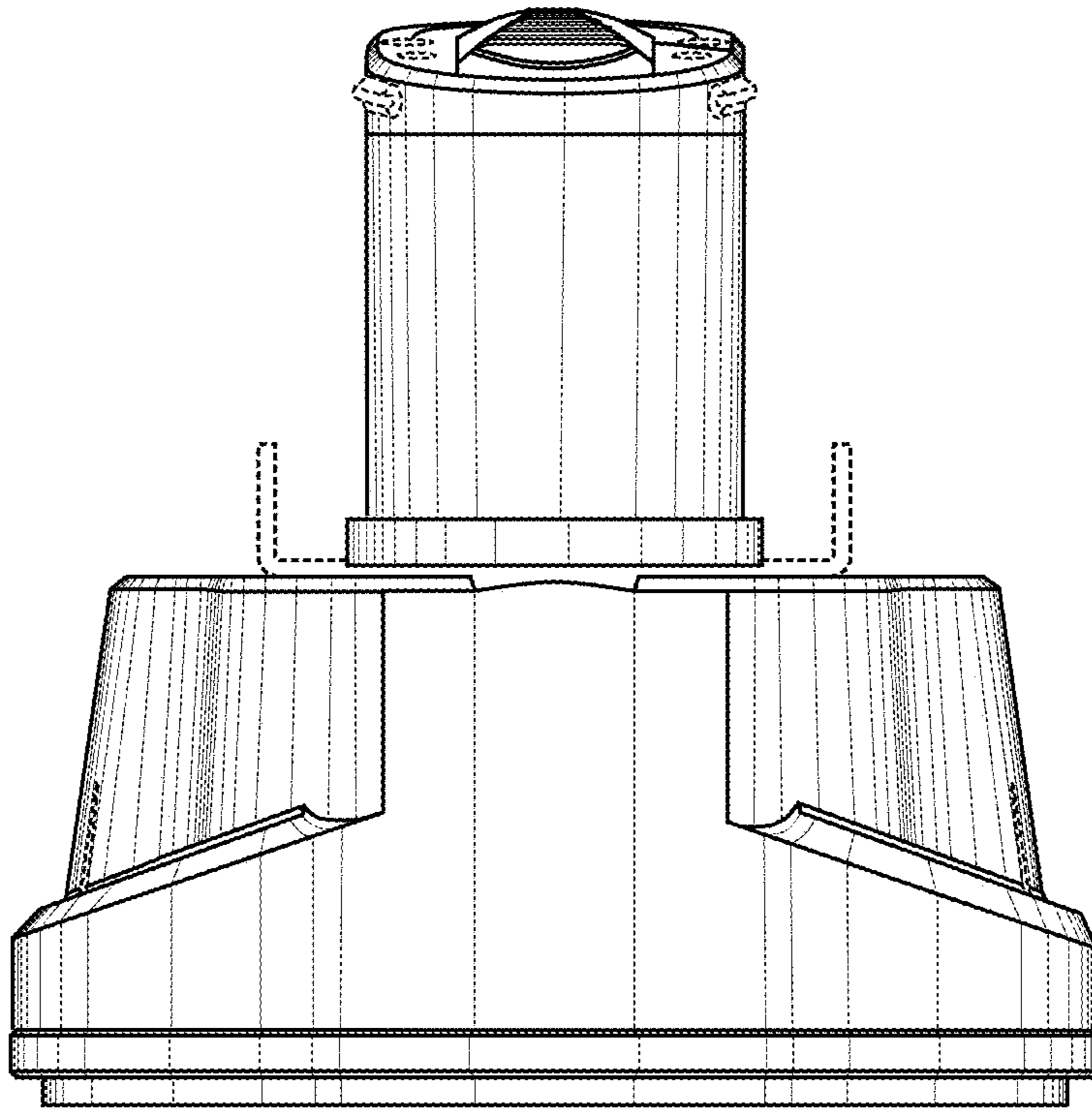


FIG. 6

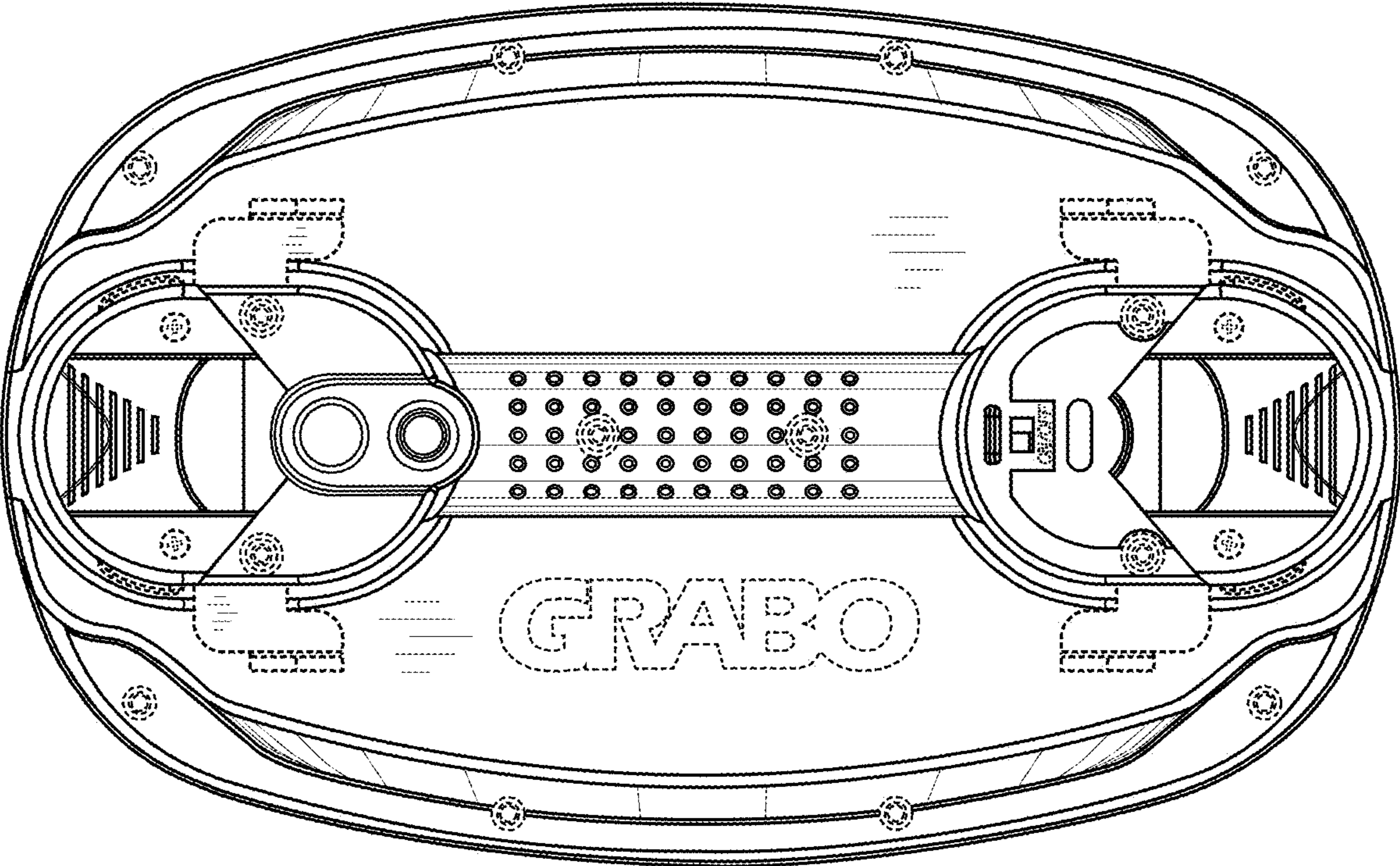


FIG. 7