



US00D944618S

(12) **United States Design Patent**
Zachariasen et al.

(10) **Patent No.:** **US D944,618 S**
(45) **Date of Patent:** **** Mar. 1, 2022**

- (54) **ANGLE SET KNIFE SHARPENER**
- (71) Applicant: **Darex, LLC**, Ashland, OR (US)
- (72) Inventors: **Joseph Todd Zachariasen**, Medford, OR (US); **Steven Lee Baker**, Medford, OR (US)
- (73) Assignee: **DAREX, LLC**, Ashland, OR (US)
- (**) Term: **15 Years**
- (21) Appl. No.: **29/652,324**
- (22) Filed: **Jul. 21, 2020**
- (51) **LOC (13) Cl.** **08-05**
- (52) **U.S. Cl.**
USPC **D8/93**
- (58) **Field of Classification Search**
USPC D8/63, 90, 91, 92, 93
CPC B24B 3/54; B24B 3/36; B24B 3/58; B24B 3/00; B24B 23/08; B24B 15/00; B24B 15/06; B24B 15/063; B24B 15/08
See application file for complete search history.

D513,955 S * 1/2006 Friel, Sr. D8/91
7,857,681 B2 * 12/2010 Bonapace B24D 15/082
451/45
9,796,068 B2 * 10/2017 Jhones B24D 18/00

OTHER PUBLICATIONS

Work Sharp—WSBCHAGS Benchtop Angle Set Knife Sharpener—Ken Onion Edition, Amazon.com, Date First Available Sep. 1, 2019.*

* cited by examiner

Primary Examiner — Philip S Hyder
(74) *Attorney, Agent, or Firm* — Hall Estill Law Firm

(57) **CLAIM**

The ornamental design for an angle set knife sharpener, as shown and described.

DESCRIPTION

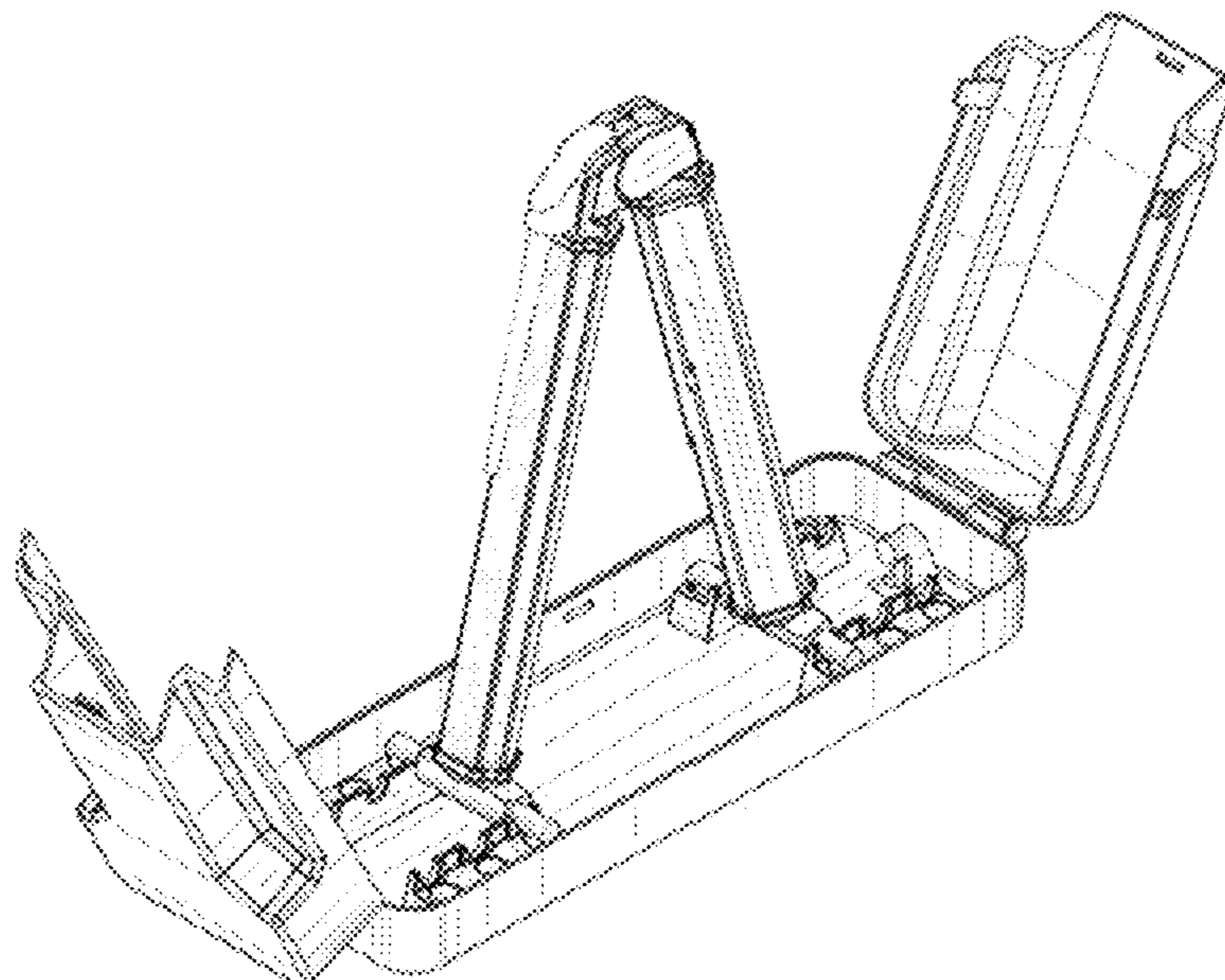
FIG. 1 is an isometric view of the design in an open position. FIG. 2 is a front view of the design of FIG. 1. FIG. 3 is a rear view of the design of FIG. 1. FIG. 4 is a right side view of the design of FIG. 1. FIG. 5 is a left side view of the design of FIG. 1. FIG. 6 is a top plan view of the design of FIG. 1. FIG. 7 is a bottom plan view of the design of FIG. 1. FIG. 8 is an isometric view of the design of FIG. 1 in a closed position. FIG. 9 is a front view of the design of FIG. 8. FIG. 10 is a rear view of the design of FIG. 8. FIG. 11 is a left side view of the design of FIG. 8. FIG. 12 is a right side view of the design of FIG. 8. FIG. 13 is a top plan view of the design of FIG. 8; and, FIG. 14 is a bottom plan view of the design of FIG. 8. The broken lines depict portions of the angle set knife sharpener in which the design is embodied that are not considered part of the claimed design.

(56) **References Cited**

U.S. PATENT DOCUMENTS

- 4,450,653 A * 5/1984 Fletcher B24D 15/08
248/171
- 4,624,079 A * 11/1986 Bonapace B24D 15/081
451/555
- 4,912,885 A * 4/1990 Bonapace B24D 15/081
451/45
- D328,847 S * 8/1992 Button D8/93
- 5,477,753 A * 12/1995 Branscum B24D 15/08
451/552
- 6,168,509 B1 * 1/2001 Presgrove B24D 15/08
451/371
- 6,881,137 B2 * 4/2005 Friel, Sr. B24D 15/08
451/193

1 Claim, 6 Drawing Sheets



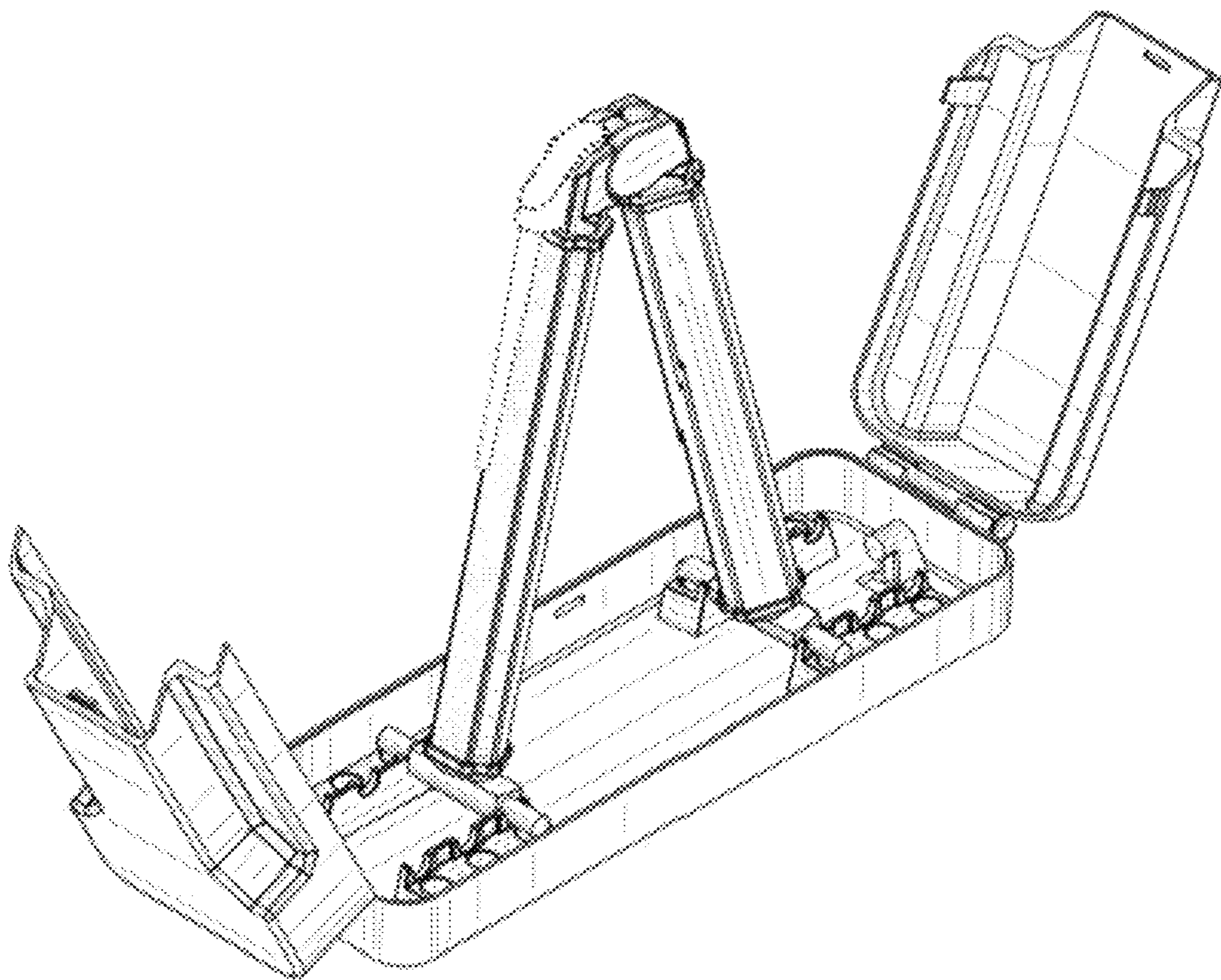


FIG. 1

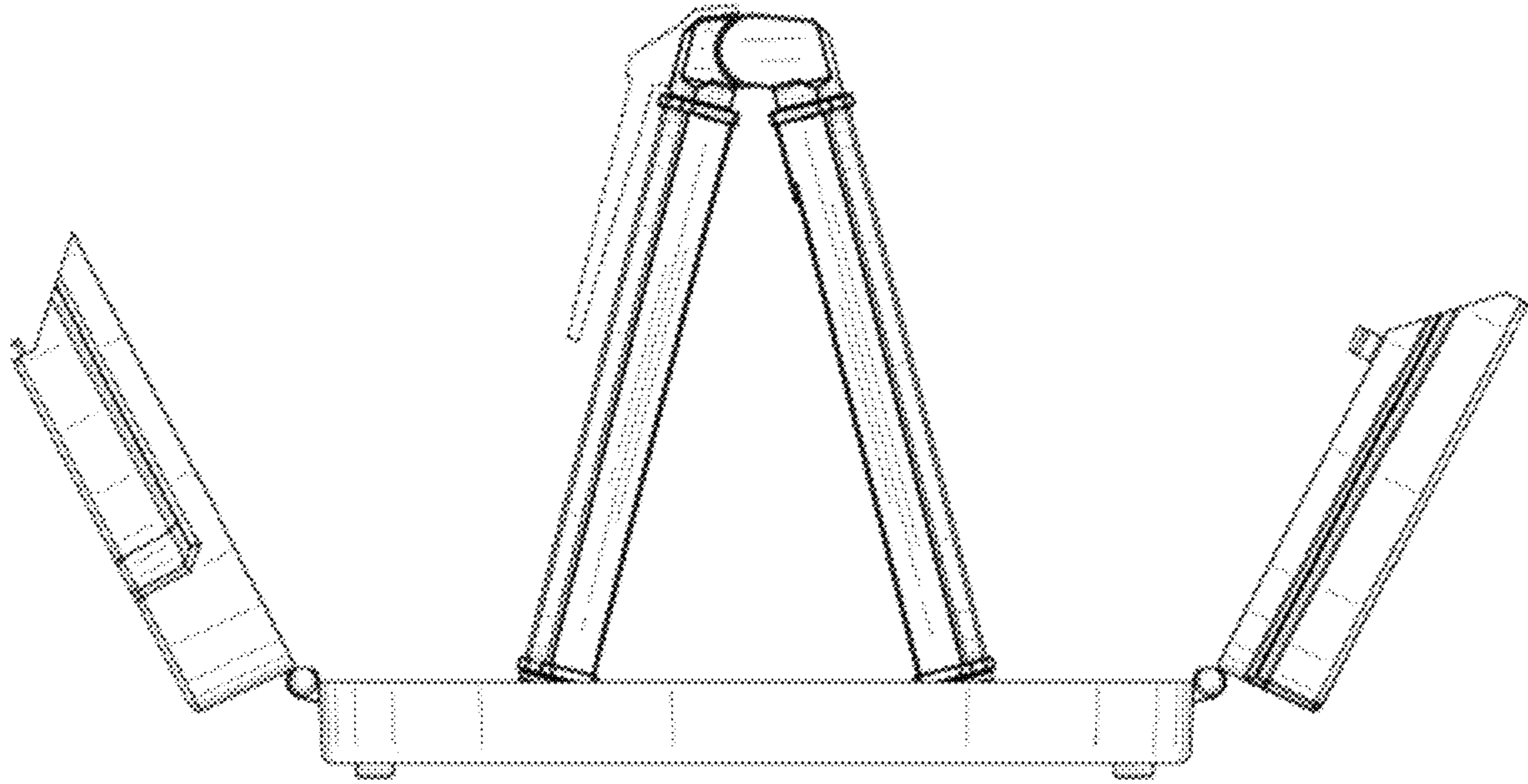


FIG. 2

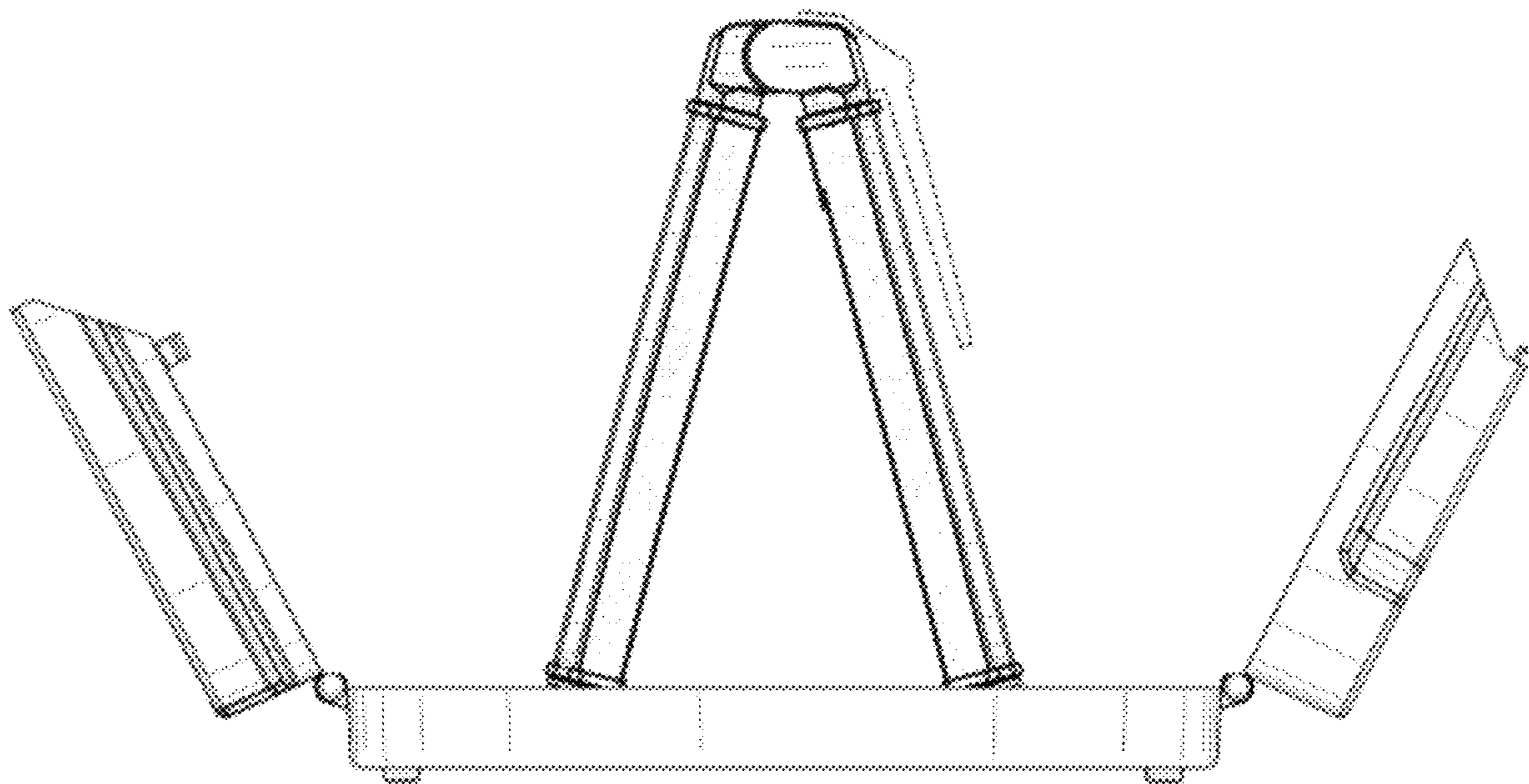


FIG. 3

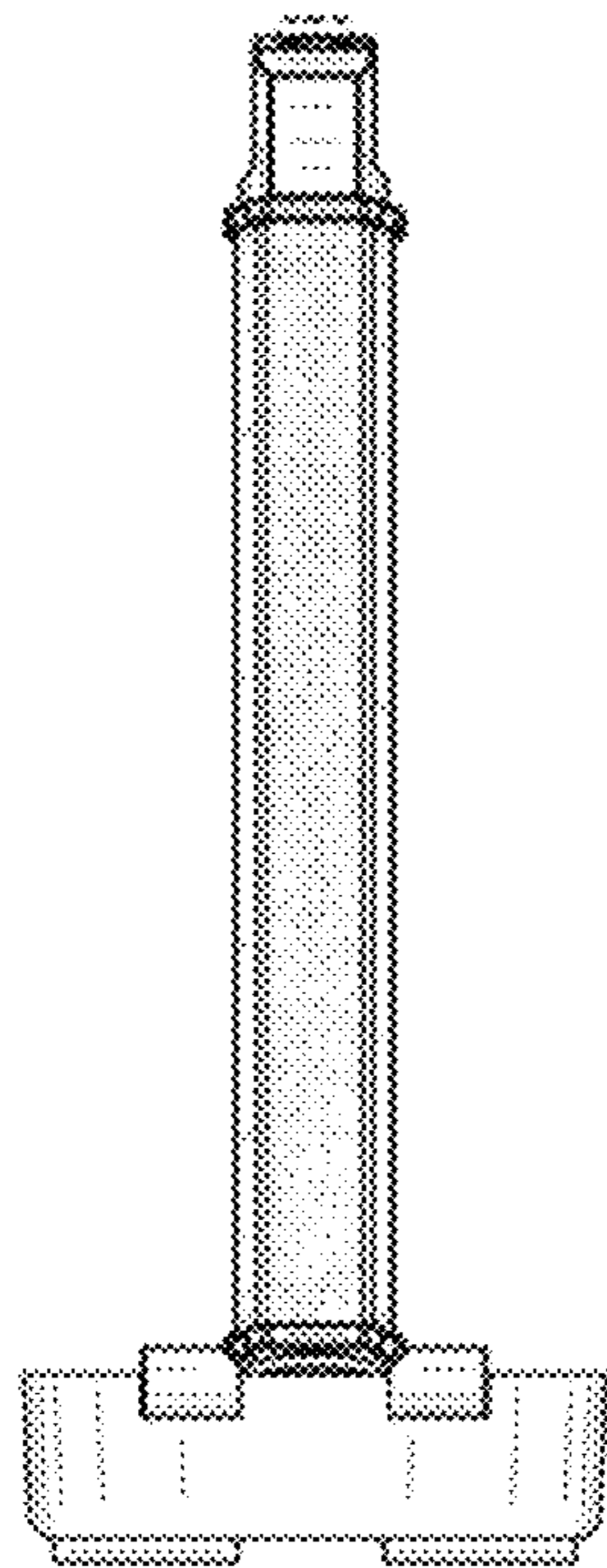


FIG. 4

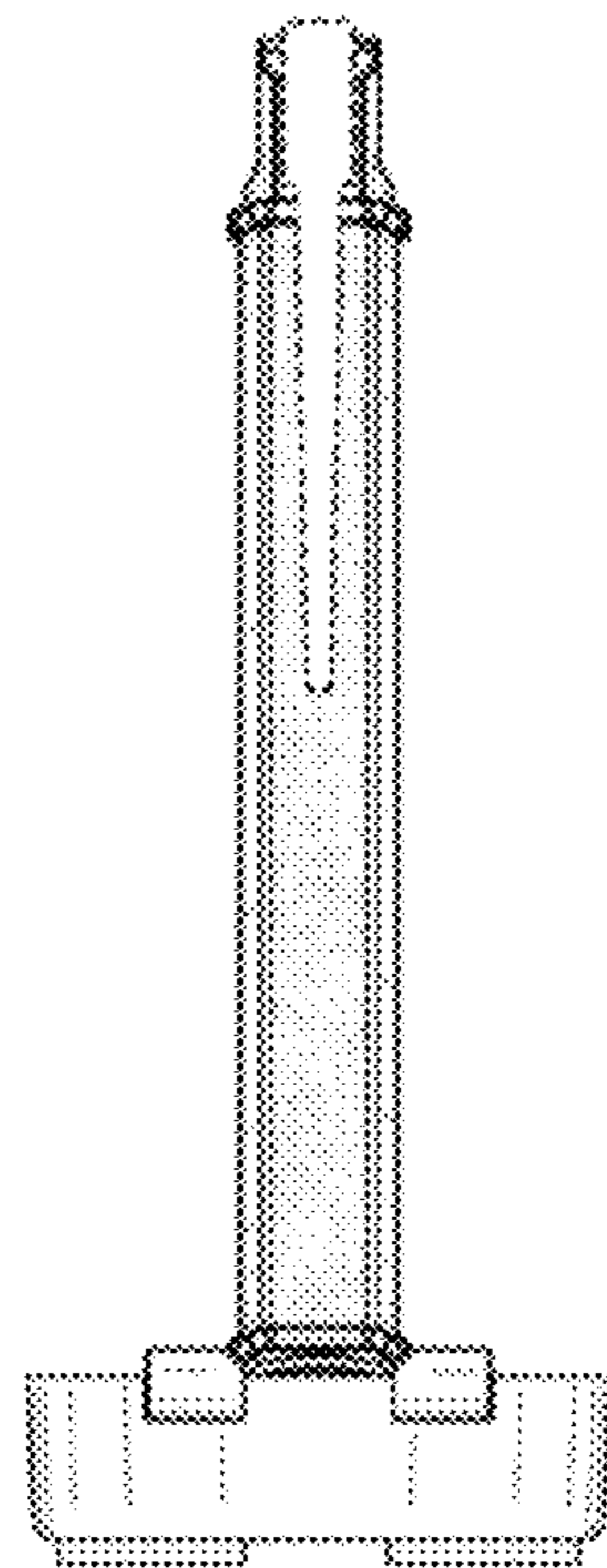


FIG. 5

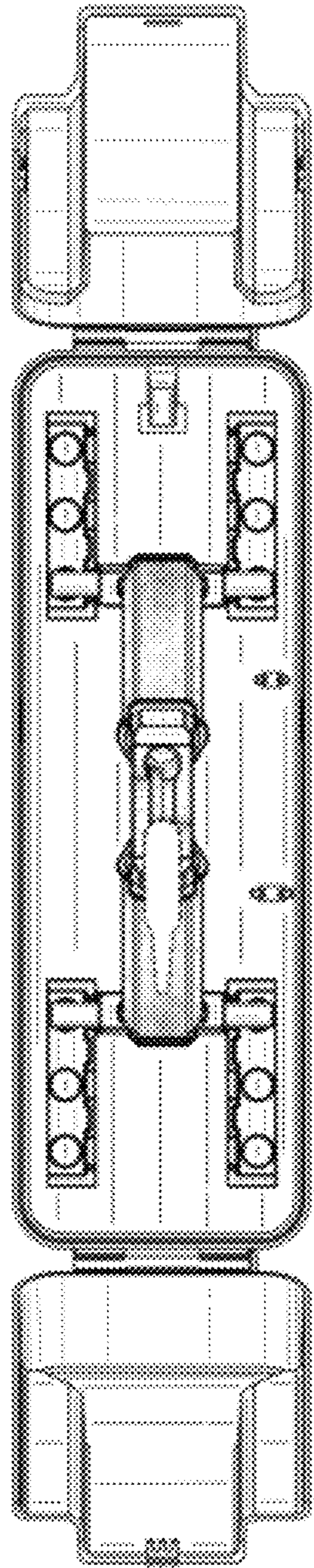


FIG. 6

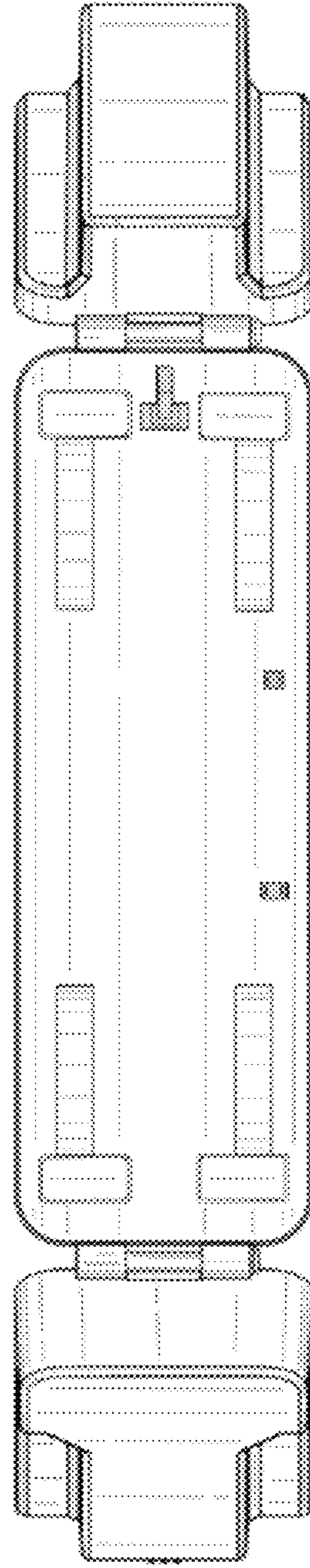


FIG. 7

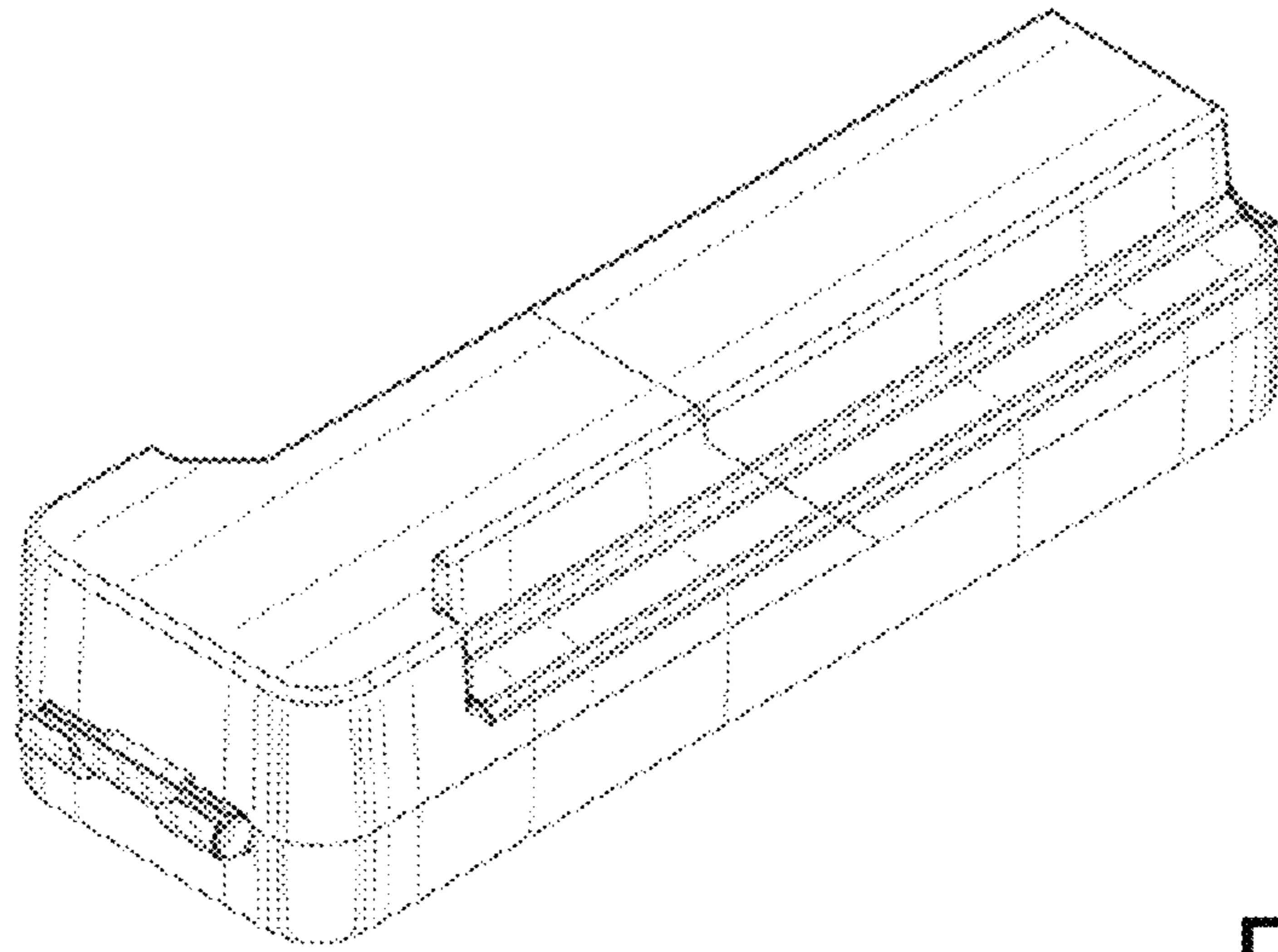


FIG. 8

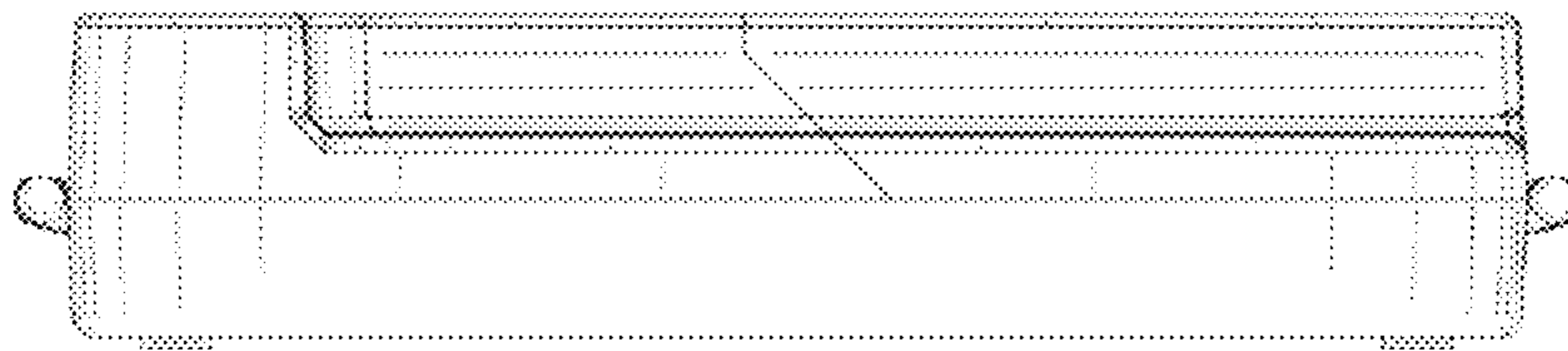


FIG. 9

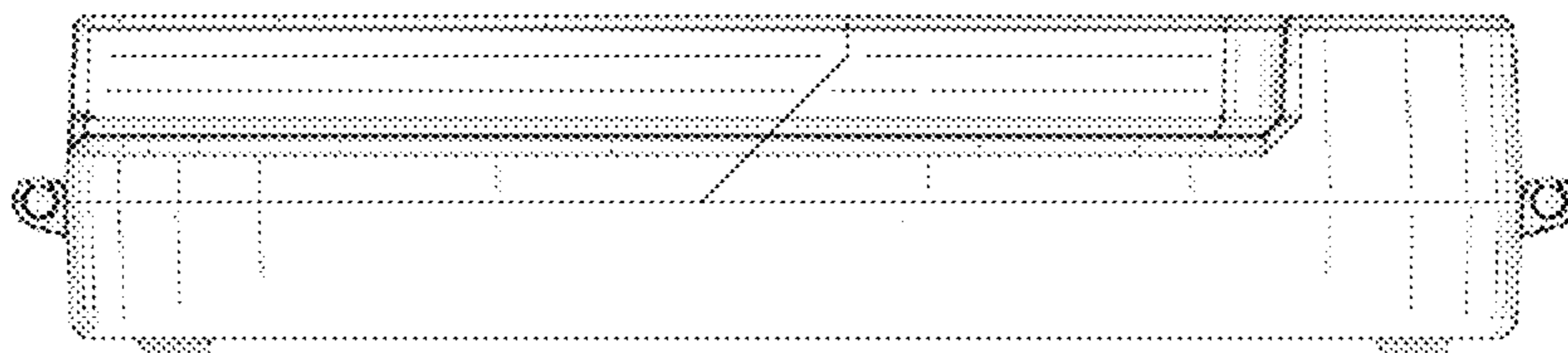


FIG. 10

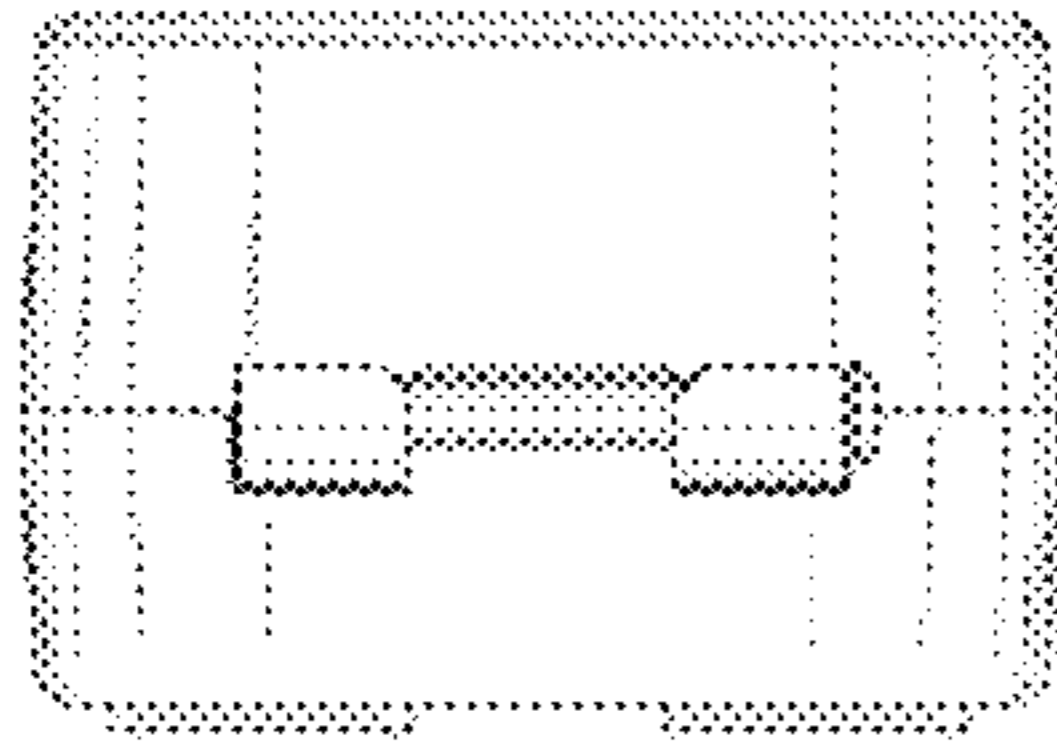


FIG. 11

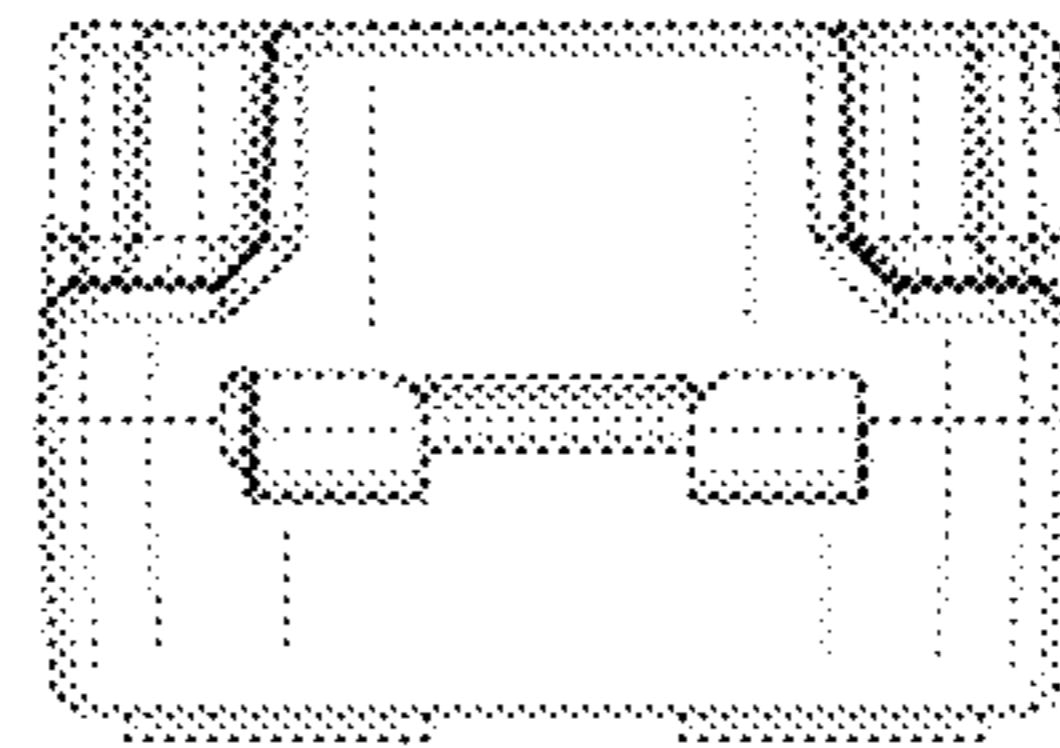


FIG. 12

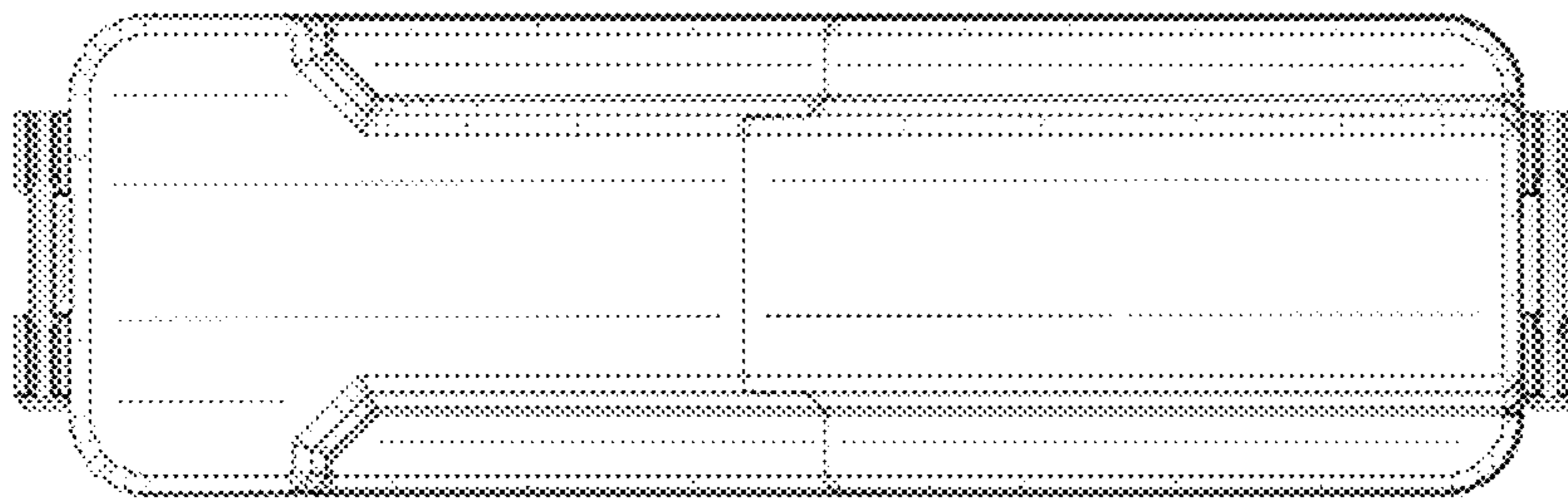


FIG. 13

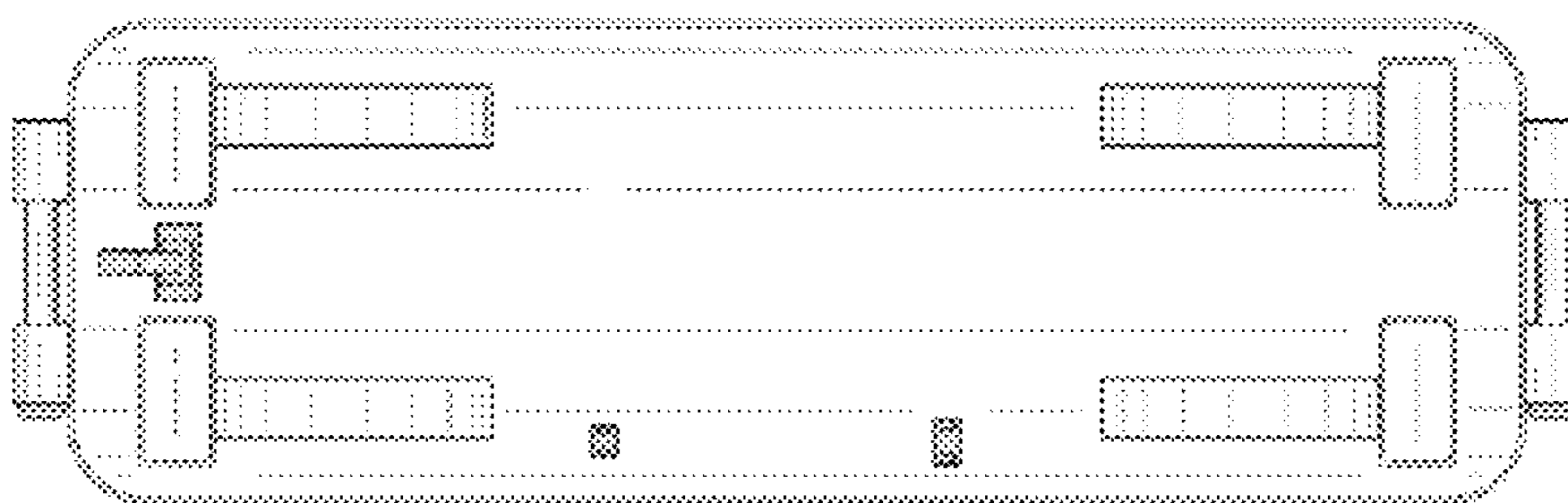


FIG. 14