



US00D944617S

(12) **United States Design Patent**
Khatri

(10) **Patent No.:** **US D944,617 S**

(45) **Date of Patent:** **** Mar. 1, 2022**

(54) **TOOL HOLDER**

(71) Applicant: **Rajan Khatri**, Fountain Valley, CA
(US)

(72) Inventor: **Rajan Khatri**, Fountain Valley, CA
(US)

(**) Term: **15 Years**

(21) Appl. No.: **29/757,847**

(22) Filed: **Nov. 10, 2020**

(51) **LOC (13) Cl.** **08-05**

(52) **U.S. Cl.**
USPC **D8/71**

(58) **Field of Classification Search**
USPC D8/71, 382, 387, 394, 395; D15/140,
D15/138, 122

CPC B05C 13/00; B05C 13/02
See application file for complete search history.

(56) **References Cited**

U.S. PATENT DOCUMENTS

D171,847 S *	3/1954	Erbguth	D11/147
D234,381 S *	2/1975	Berger	D6/677.1
D341,276 S *	11/1993	Jones	D6/552
D476,197 S *	6/2003	Kaposi	D7/637
D480,938 S *	10/2003	Whitley	D8/71
D508,396 S *	8/2005	Gimpel	D8/382
D510,388 S *	10/2005	Siegel	D19/77
D586,207 S *	2/2009	Giddings	D8/382

D590,702 S *	4/2009	Giddings	D8/382
D614,216 S *	4/2010	Albertson	D15/140
7,876,967 B2 *	1/2011	Sahr	G01C 21/20 382/241
8,505,742 B2 *	8/2013	Hawkins	B01D 39/10 210/437
D722,650 S *	2/2015	Guyer	D21/348
D814,053 S *	3/2018	Darrow	D25/109
D816,492 S *	5/2018	Reinhart	D9/435
D825,082 S *	8/2018	Darrow	D25/160
D881,242 S *	4/2020	Riedel	D15/140

* cited by examiner

Primary Examiner — Keli L Hill

Assistant Examiner — Harold E Blackwell, II

(74) *Attorney, Agent, or Firm* — Innovent Law, P.C.;
Karima Gulick

(57) **CLAIM**

The ornamental design for a tool holder, as shown and described.

DESCRIPTION

FIG. 1 is a perspective view of a tool holder in environmental conditions;

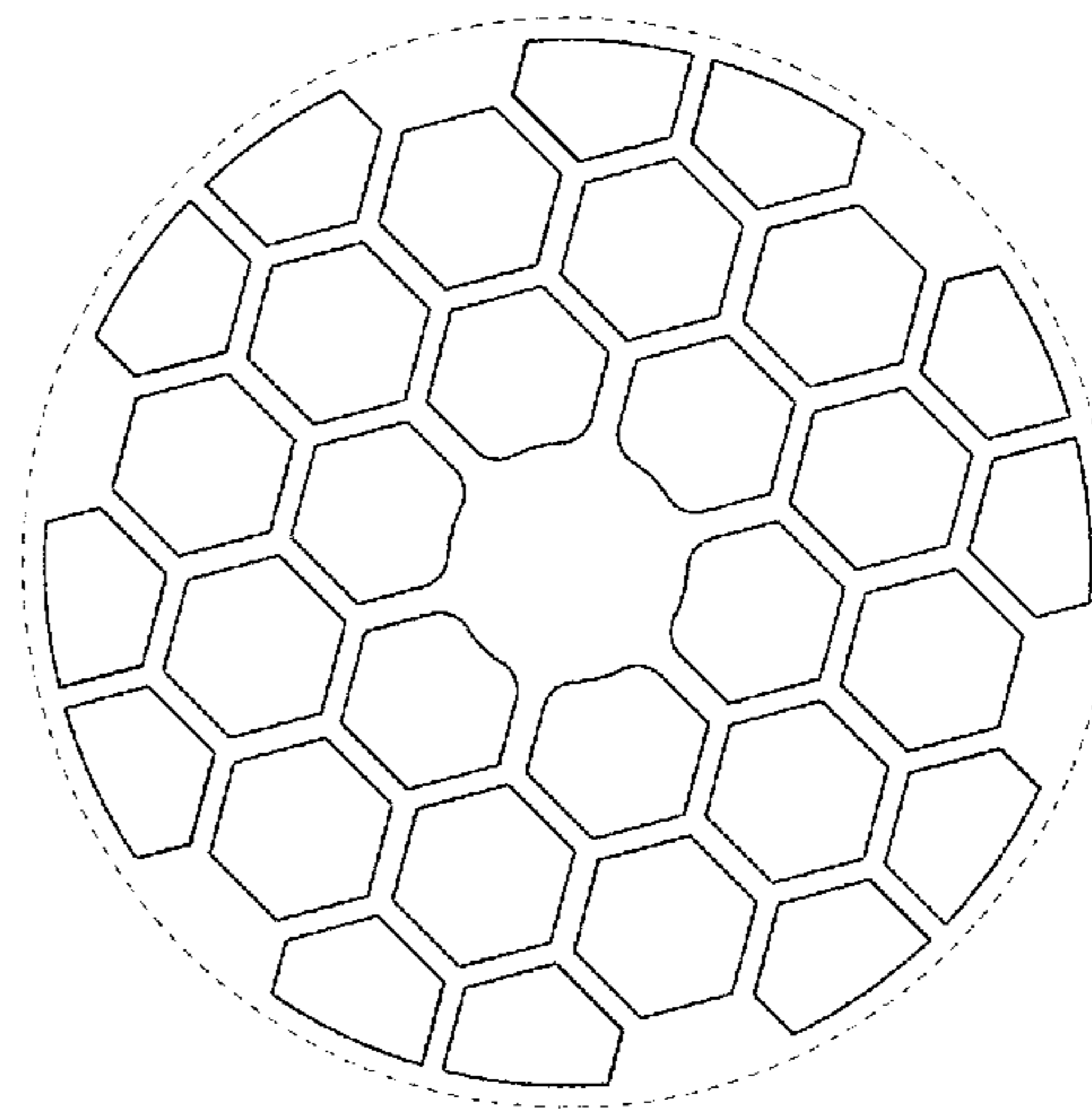
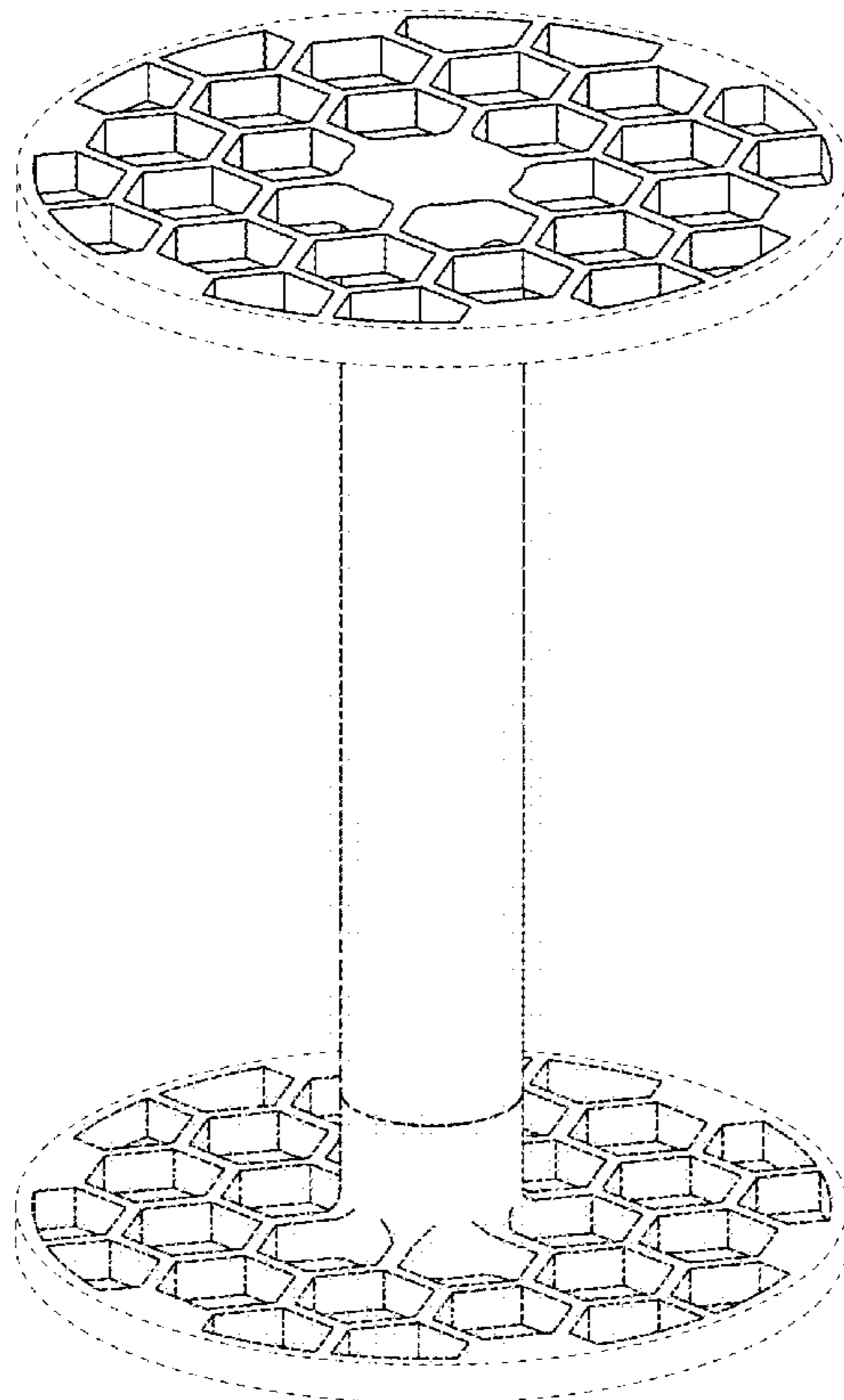
FIG. 2 shows a front view thereof;

FIG. 3 shows a top plan view thereof; and,

FIG. 4 shows a bottom plan view thereof.

The broken lines of the figures showing additional portions of the tool holder are included for the purpose of illustrating environmental structure and form no part of the claimed design.

1 Claim, 4 Drawing Sheets



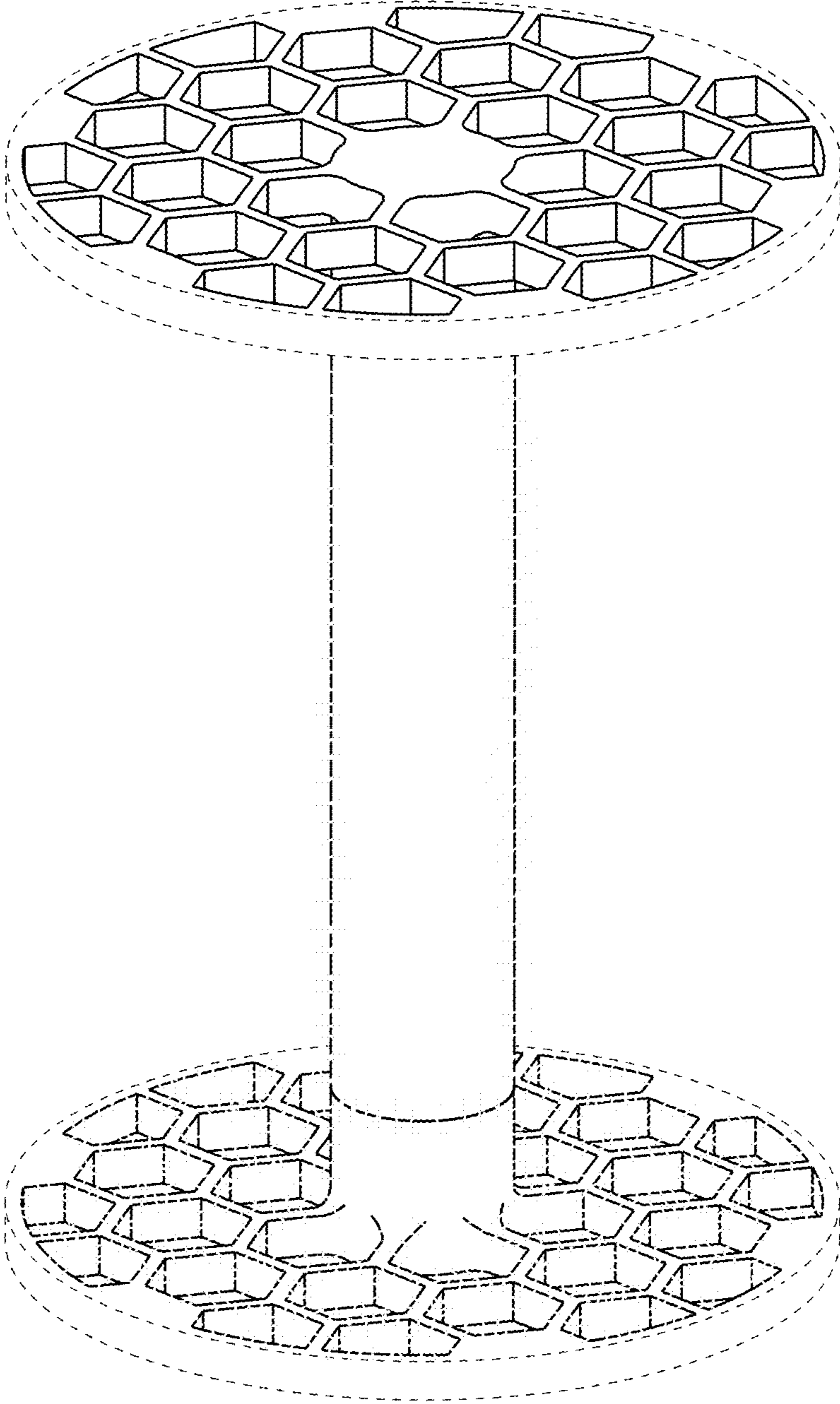


FIG. 1

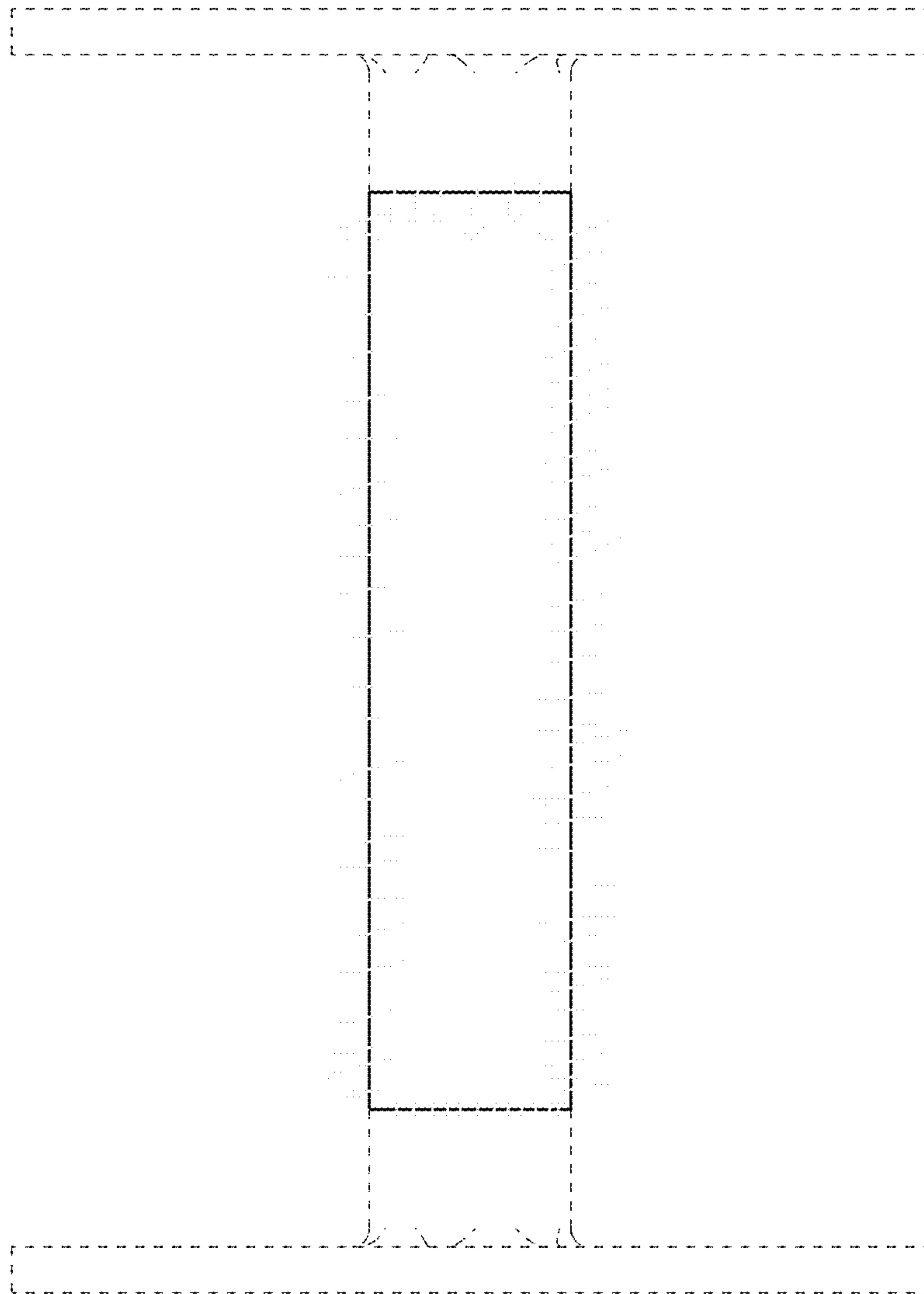


FIG 2

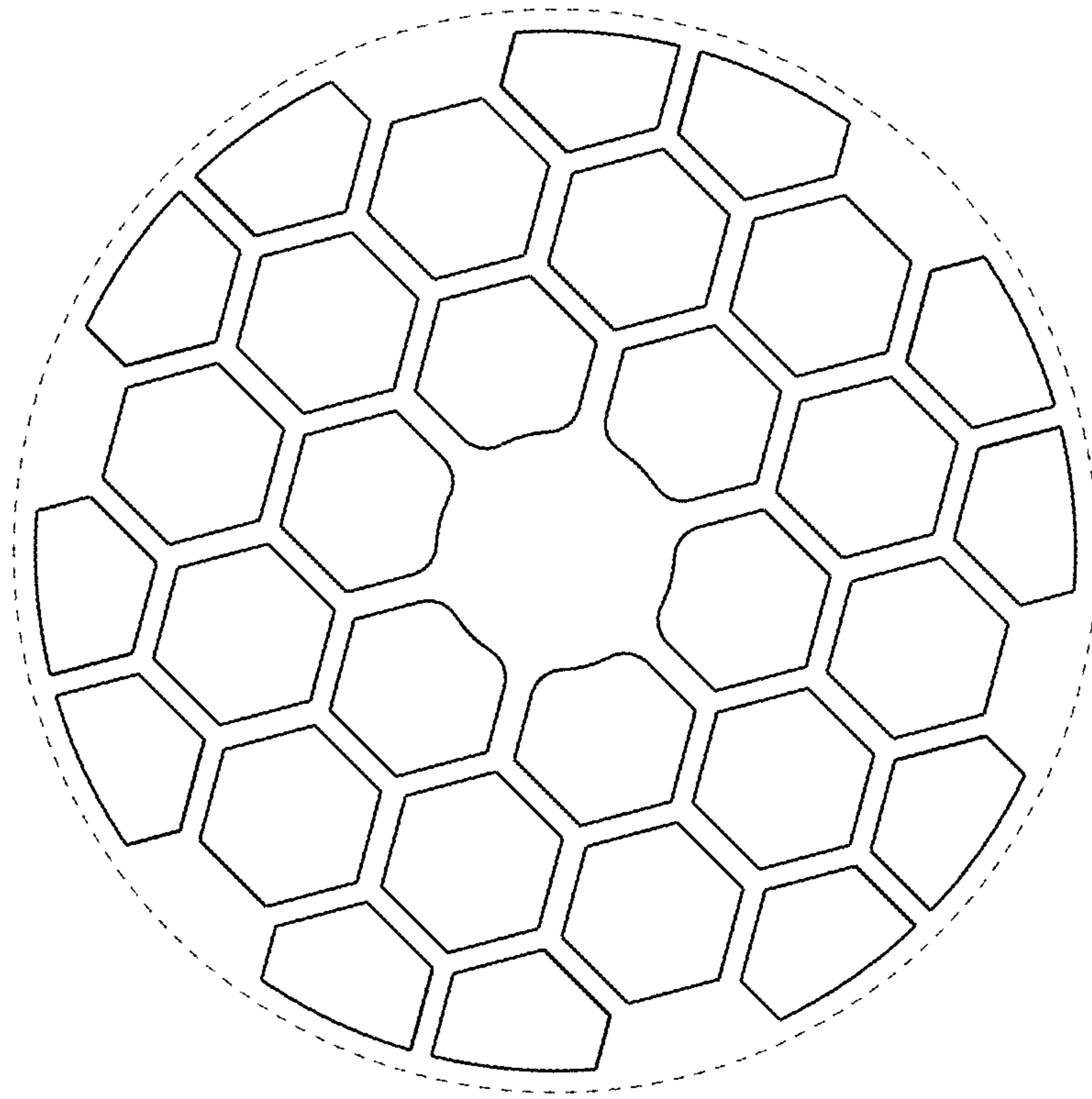


FIG 3

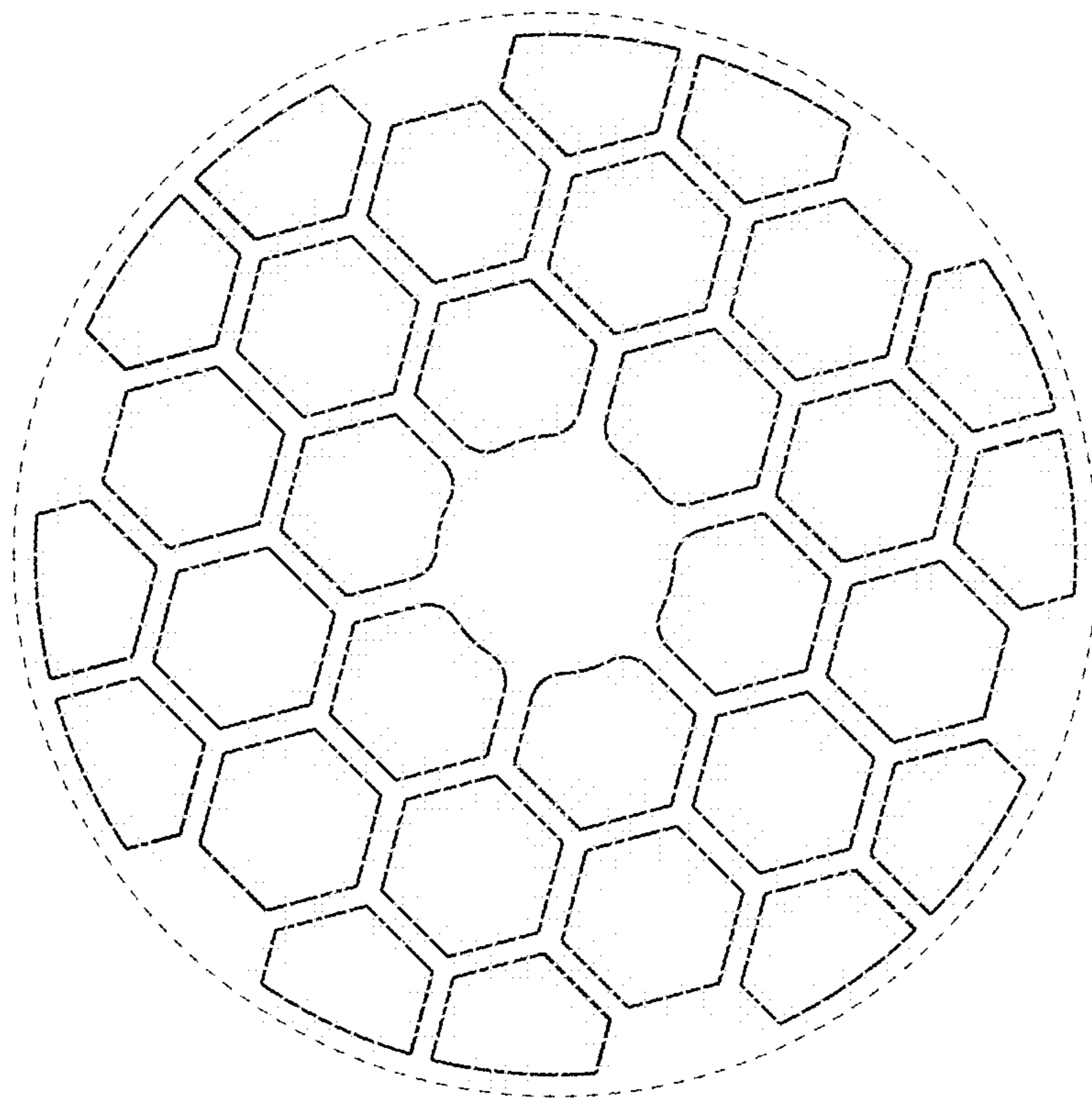


FIG 4