



US00D944616S

(12) **United States Design Patent**
Jaggard et al.

(10) **Patent No.:** **US D944,616 S**

(45) **Date of Patent:** **** Mar. 1, 2022**

- (54) **CONNECTOR**
- (71) Applicant: **TCG Partners, LLC—Intellectual Property Series**, Houston, TX (US)
- (72) Inventors: **Griffin T. Jaggard**, Houston, TX (US);
Hunter R. Jaggard, Houston, TX (US);
Stephen P. Dunn, Houston, TX (US)
- (73) Assignee: **TCG Partners, LLC—Intellectual Property Series**, Houston, TX (US)
- (**) Term: **15 Years**
- (21) Appl. No.: **29/728,604**
- (22) Filed: **Mar. 19, 2020**
- (51) **LOC (13) Cl.** **08-05**
- (52) **U.S. Cl.**
USPC **D8/70**
- (58) **Field of Classification Search**
USPC D8/1, 3, 8, 14, 22, 25, 27–29.2, 30, 40,
D8/59, 70, 71, 74, 78, 88, 98, 106, 300,
D8/309, 343; D15/122, 138–140
CPC F01D 5/066; F05D 2300/173; Y10T
428/12063; B23D 51/10; B25B 23/0035;
B25G 3/14; B25G 3/26; B25F 3/00
See application file for complete search history.

D540,644 S *	4/2007	Song	D8/25
7,334,970 B2 *	2/2008	Kozak	B23B 31/005 279/137
D593,850 S *	6/2009	Kullman	D8/29
D605,921 S *	12/2009	Cowan	D8/70
D612,876 S *	3/2010	Bell	D15/139
D616,275 S *	5/2010	Kang	D8/70
D635,429 S *	4/2011	Hakki	D8/70
D673,193 S *	12/2012	Dickrede	D15/139
D774,866 S *	12/2016	Levey	D8/70
9,751,135 B1 *	9/2017	Terris	B23B 31/185
D802,391 S *	11/2017	Cuzdey	D8/70
D811,843 S *	3/2018	Matsui	D8/70
D850,229 S *	6/2019	Goodman	D8/70
D889,925 S *	7/2020	Tipton	D8/70
D903,454 S *	12/2020	Kuhns	D8/70
D922,166 S *	6/2021	Sawa	D8/70

(Continued)

Primary Examiner — Darlington Ly

(74) *Attorney, Agent, or Firm* — Phillip Black; Dossey & Jones PLLC

(57) **CLAIM**

The ornamental design for a connector, as shown and described.

DESCRIPTION

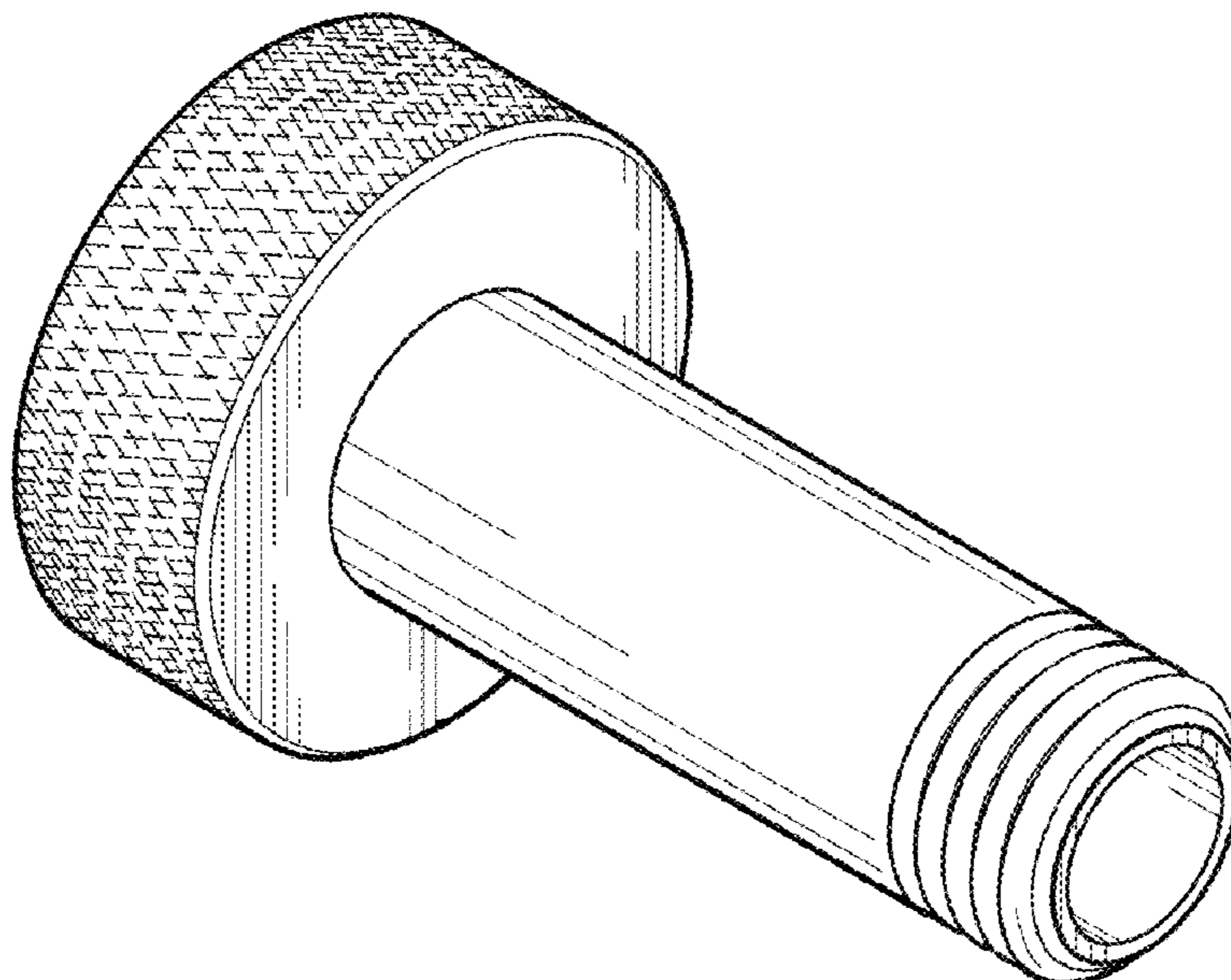
FIG. 1 is a front perspective view of a connector embodying our new design;
 FIG. 2 is a right side elevation view thereof, of which the left side elevation view is a mirror image, top plan view is identical, and bottom plan view is a mirror image;
 FIG. 3 is a rear elevation view thereof;
 FIG. 4 is a front elevation view thereof; and,
 FIG. 5 is a right side perspective view thereof in an environment of use.
 The broken lines in the drawings illustrate environmental structure and form no part of the claimed design.

1 Claim, 2 Drawing Sheets

(56) **References Cited**

U.S. PATENT DOCUMENTS

D416,267 S *	11/1999	Reilly	D15/139
5,996,452 A *	12/1999	Chiang	B25B 15/001 279/157
D457,046 S *	5/2002	Boyle	D8/70
D459,961 S *	7/2002	Carroll	D8/29
D472,114 S *	3/2003	Palecki	D17/22
D478,263 S *	8/2003	Welsh	D15/140
6,755,423 B2 *	6/2004	Chiu	B23D 51/10 279/30



(56)

References Cited

U.S. PATENT DOCUMENTS

D926,008 S	*	7/2021	Terris	D8/70
D929,198 S	*	8/2021	Gysland	D8/62
D934,047 S	*	10/2021	Mann	D8/70

* cited by examiner

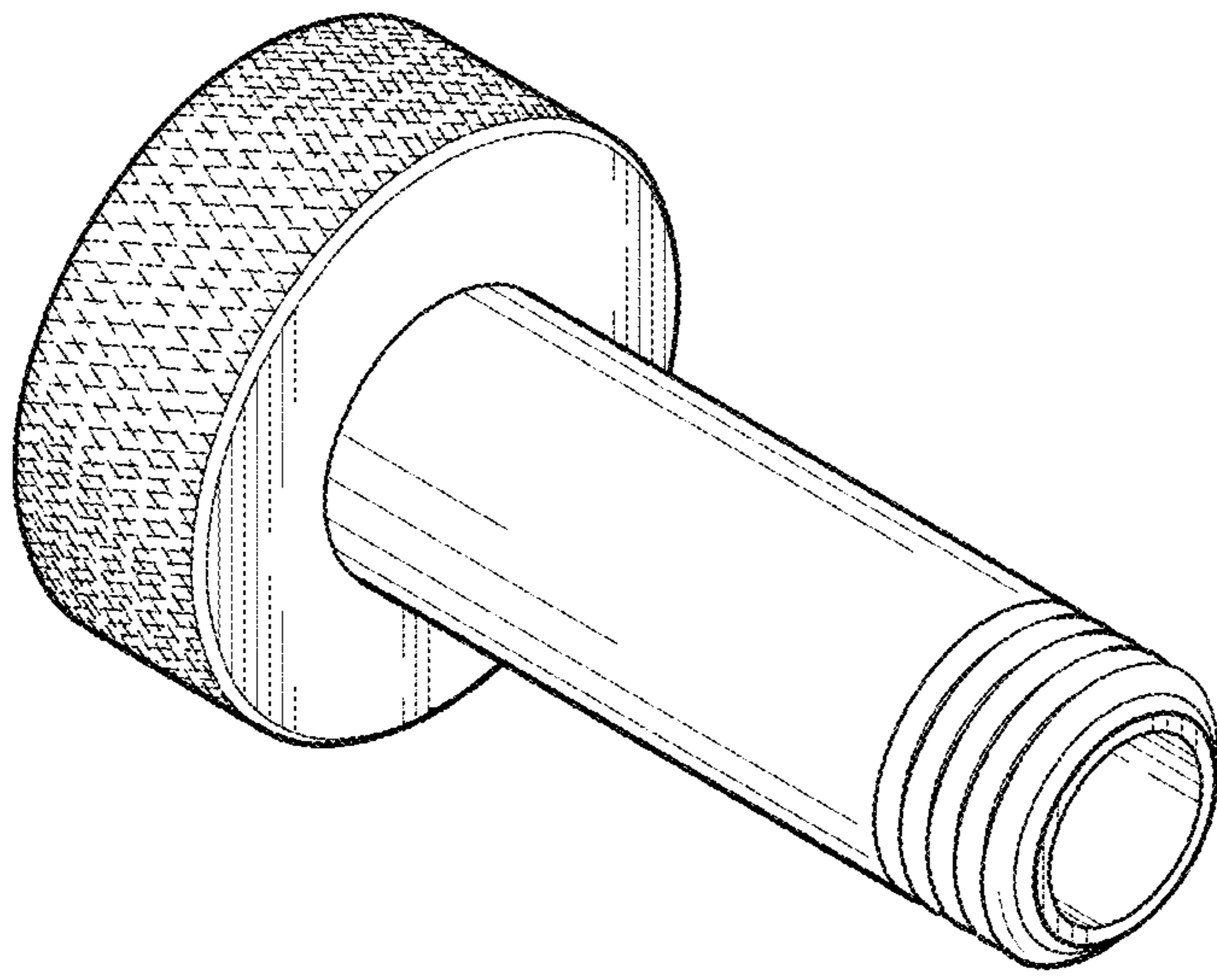


FIG. 1

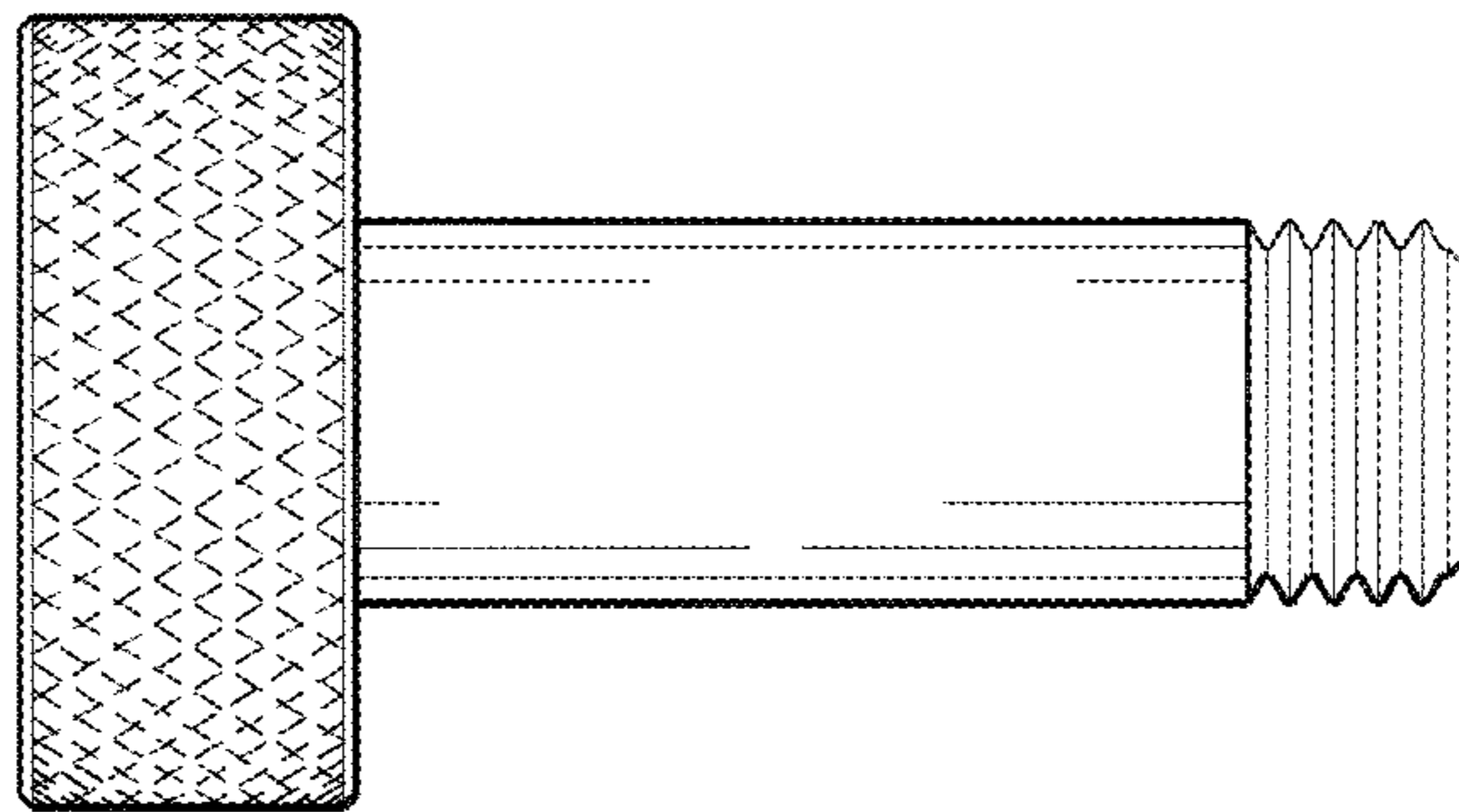


FIG. 2

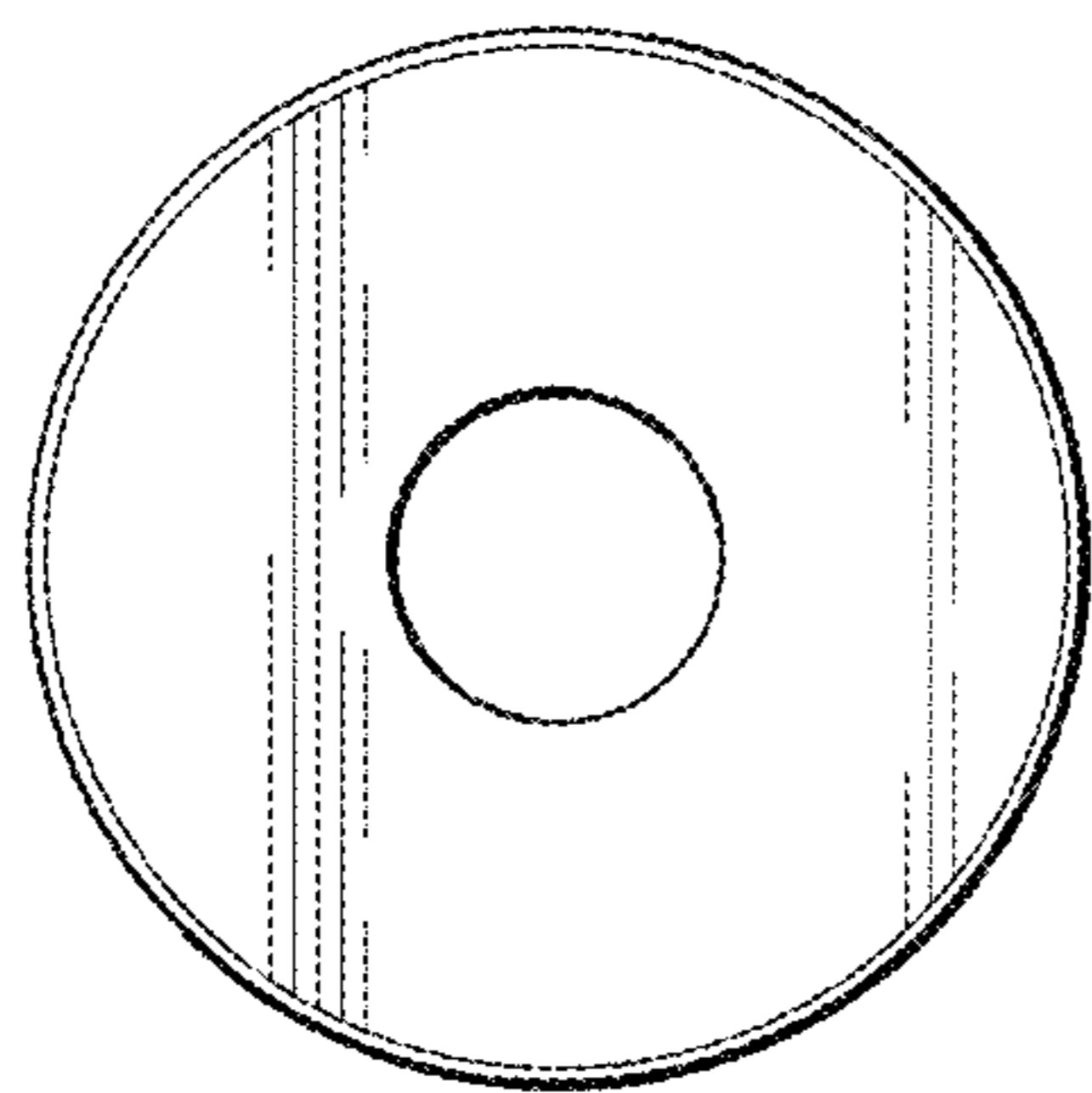


FIG. 3

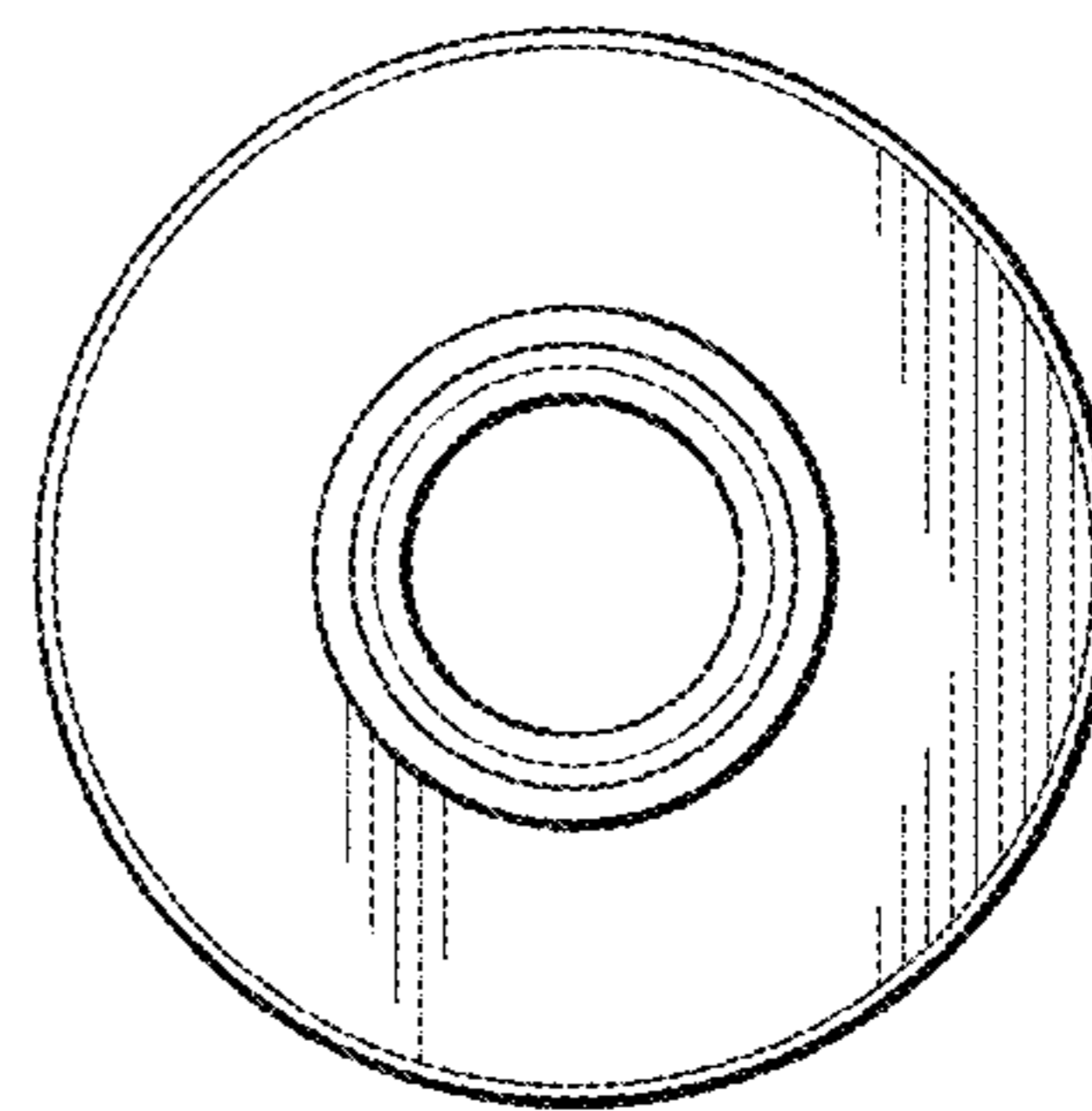


FIG. 4

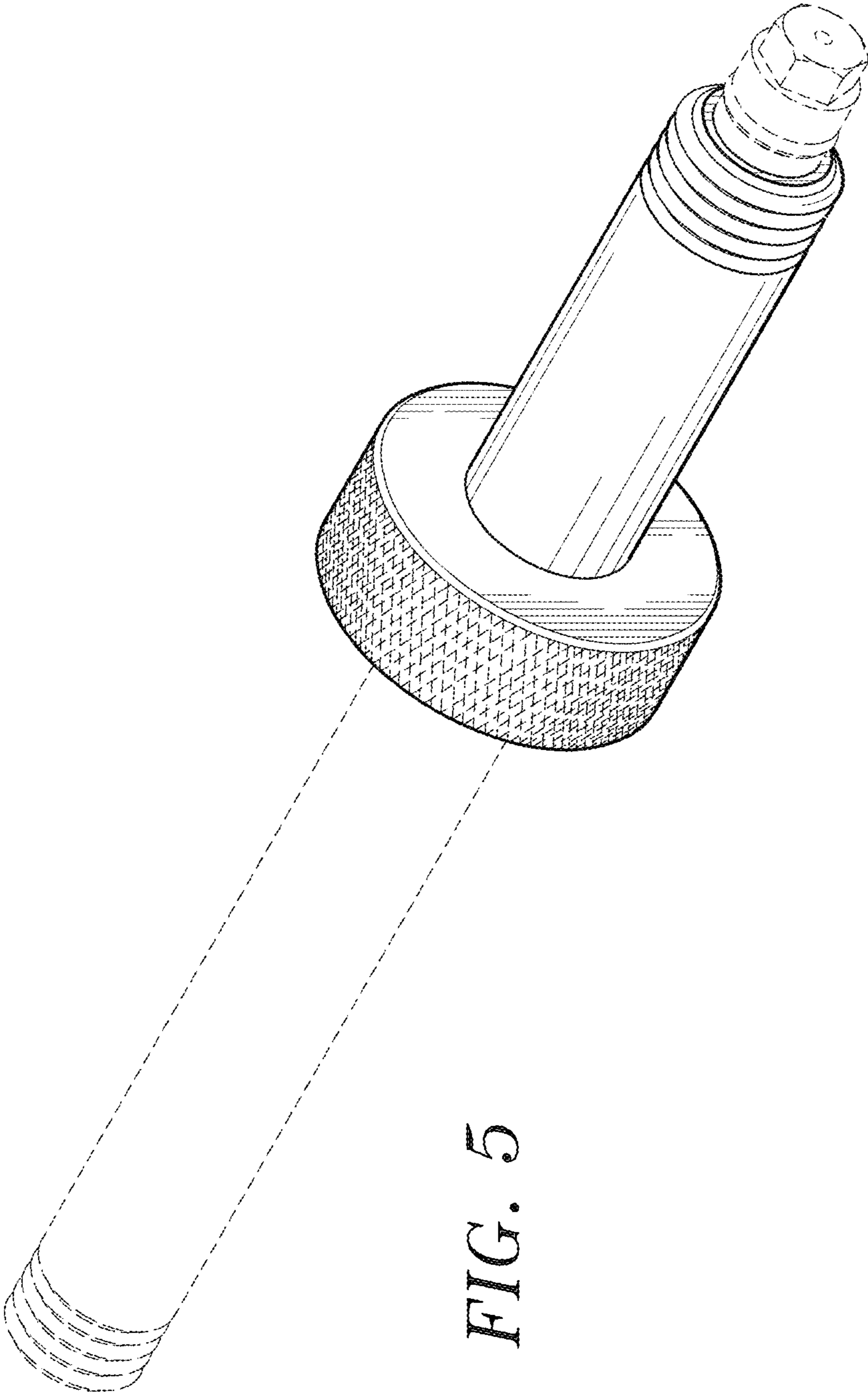


FIG. 5