



US00D944615S

(12) **United States Design Patent**
Könnecke et al.

(10) **Patent No.:** **US D944,615 S**
(45) **Date of Patent:** **** Mar. 1, 2022**

(54) **HAND-HELD POWER TOOL**

CPC B27B 9/00; B27B 9/02; B27B 5/02; B27B 5/18; B27B 33/08; B28D 1/04; B28D 1/045; B23D 45/00; B23D 45/16; B23D 47/02

(71) Applicant: **GUSTAV KLAUKE GMBH**,
Remscheid (DE)

See application file for complete search history.

(72) Inventors: **Christoph Könnecke**, Frankfurt (DE);
Andreas Lehr, Neuss (DE); **Egbert Frenken**, Heinsberg (DE); **Roman Bobowicz**, Remscheid (DE); **Torsten Darkow**, Wuppertal (DE); **Alexander Jochem**, Remscheid (DE); **Frank Wilsdorf**, Wermelskirchen (DE); **Jörg Gimmler**, Wipperfürth (DE)

(56) **References Cited**

U.S. PATENT DOCUMENTS

D657,220 S	4/2012	Isobe et al.	
D657,221 S *	4/2012	Isobe	D8/61
D673,829 S	1/2013	Takeshima et al.	
D696,090 S	12/2013	Takeshima et al.	
D709,748 S *	7/2014	Frenken	D8/68
D710,173 S *	8/2014	Frenken	D8/68
D734,112 S	7/2015	Herauld et al.	
D767,959 S *	10/2016	Sokat	D8/61
D767,960 S *	10/2016	Haneishi	D8/61
D774,858 S *	12/2016	Stucki	D8/61
D779,902 S *	2/2017	Sokat	D8/61
D834,908 S *	12/2018	Konnecke	D8/61

(Continued)

(73) Assignee: **GUSTAV KLAUKE GMBH**,
Remscheid (DE)

(**) Term: **15 Years**

(21) Appl. No.: **29/747,911**

(22) Filed: **Aug. 26, 2020**

Primary Examiner — Austin Murphy

(74) Attorney, Agent, or Firm — Klintworth & Rozenblat
IP LLP

Related U.S. Application Data

(62) Division of application No. 29/666,919, filed on Oct. 17, 2018, now Pat. No. Des. 897,174, which is a division of application No. 29/608,383, filed on Jun. 21, 2017, now Pat. No. Des. 834,908.

(57) **CLAIM**

The ornamental design for a hand-held power tool, as shown and described.

DESCRIPTION

(30) **Foreign Application Priority Data**

Dec. 22, 2016 (EM) 001455497

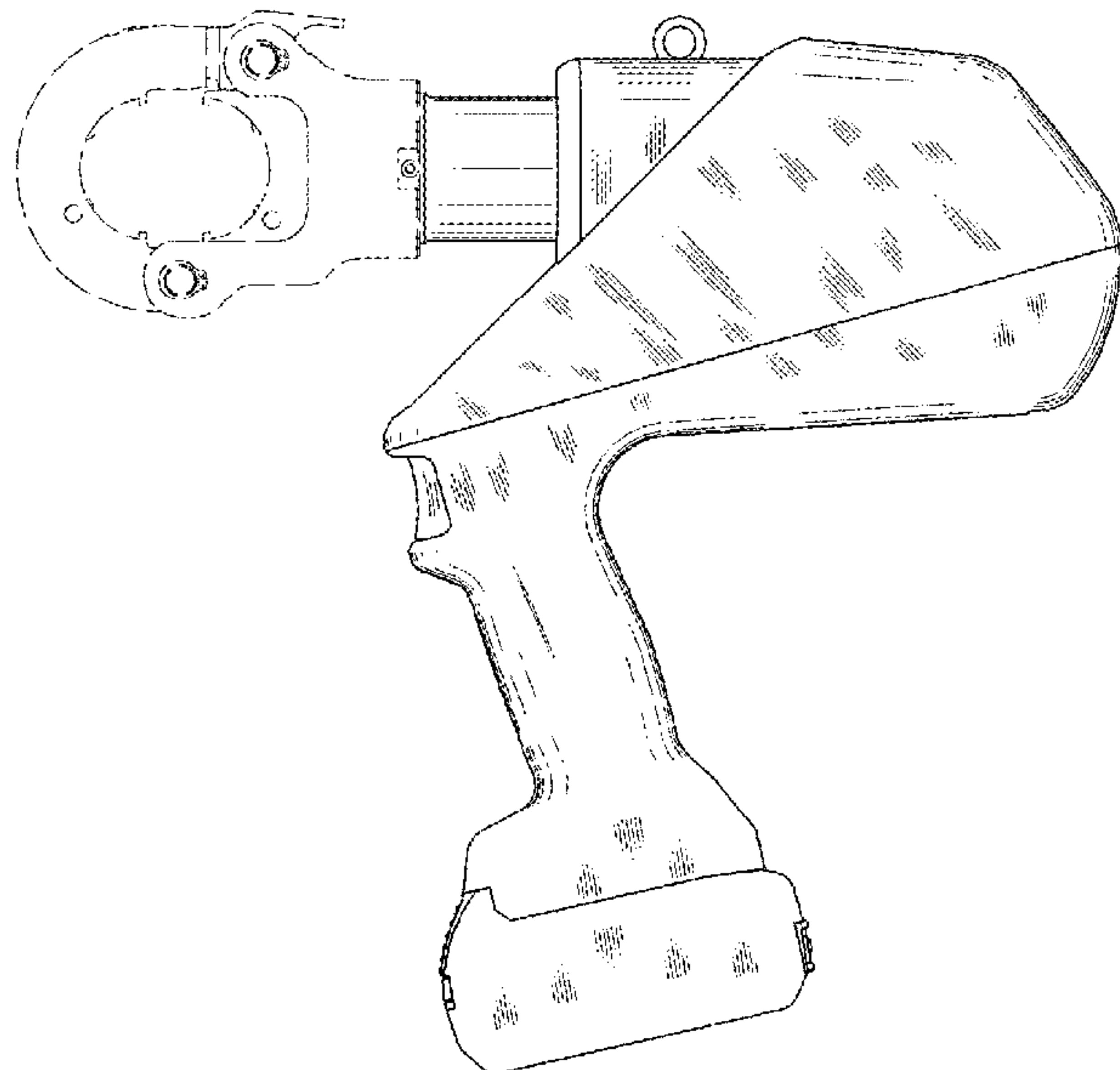
(51) **LOC (13) Cl.** **08-03**

(52) **U.S. Cl.**
USPC **D8/66**

(58) **Field of Classification Search**
USPC D8/69, 68, 67, 66, 64, 61, 70; 83/698.41, 83/747, 166.3, 374, 373, 375, 376, 391, 83/377, 390, 388, 389; 30/122, 124, 329; 144/218; D21/532

FIG. 1 is a right side elevation view of the tool;
FIG. 2 is a front elevation view of the tool;
FIG. 3 is a left side elevation view of the tool;
FIG. 4 is a rear elevation view of the tool;
FIG. 5 is a top plan view of the tool;
FIG. 6 is a bottom plan view of the tool; and,
FIG. 7 is a perspective view of the tool.
The elements shown in broken line in the drawings is for the purpose of showing environmental structure and forms no part of the claimed design.

1 Claim, 7 Drawing Sheets



(56)

References Cited

U.S. PATENT DOCUMENTS

D845,729 S 4/2019 Kitahara
D859,949 S * 9/2019 Wason D8/61
10,418,795 B2 * 9/2019 Ballard B25F 5/005
D897,174 S * 9/2020 Konnecke D8/61
D907,978 S * 1/2021 Schaefer D8/61
2008/0087064 A1 * 4/2008 Lefavour B25B 27/10
72/31.01
2010/0325894 A1 * 12/2010 Scott B25F 5/02
30/92
2011/0197451 A1 * 8/2011 Mitchell B26D 3/16
30/92
2019/0160639 A1 * 5/2019 Lefavour B25B 27/146

* cited by examiner

Fig. 1

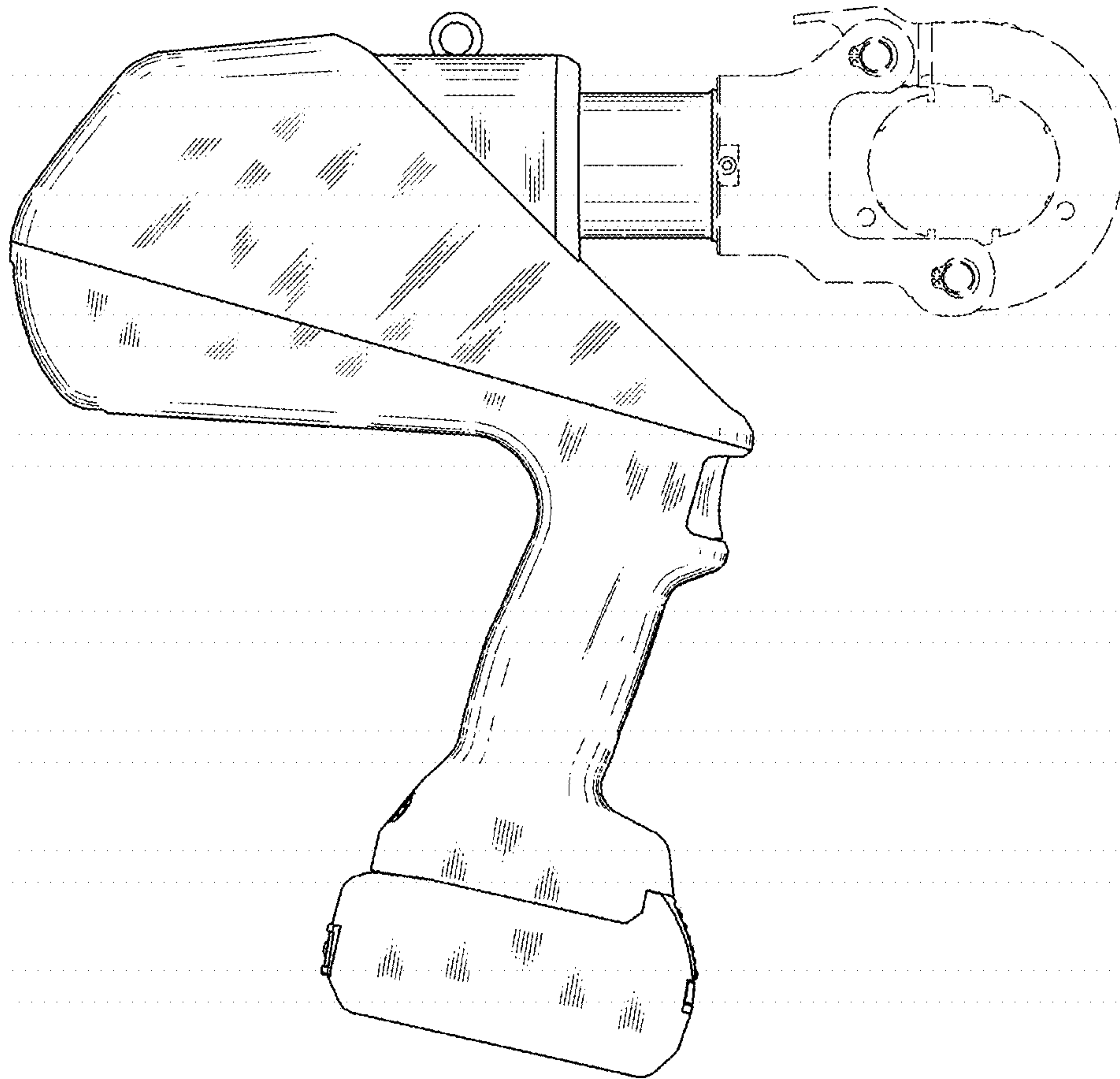


Fig. 2

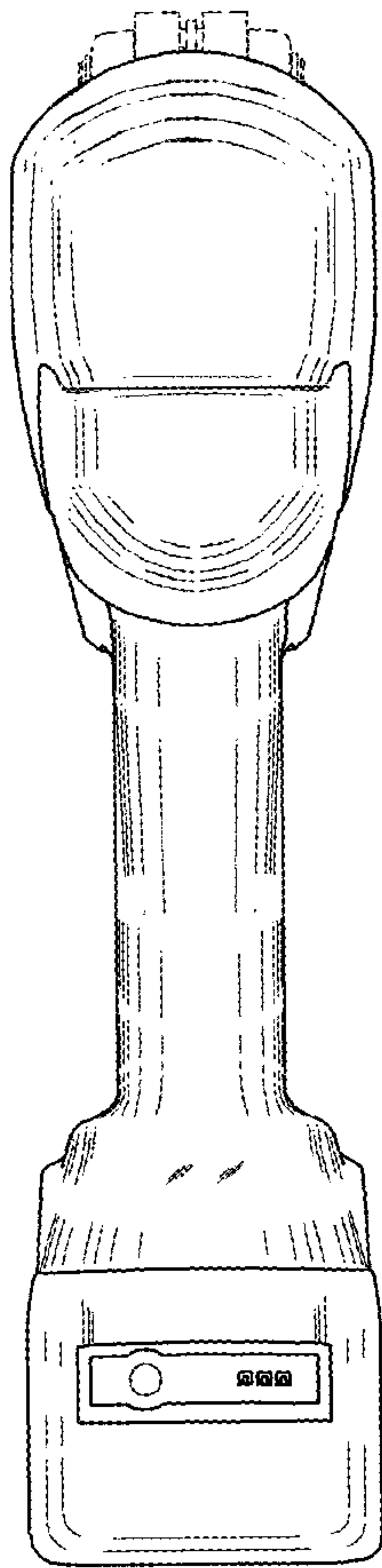


Fig. 3

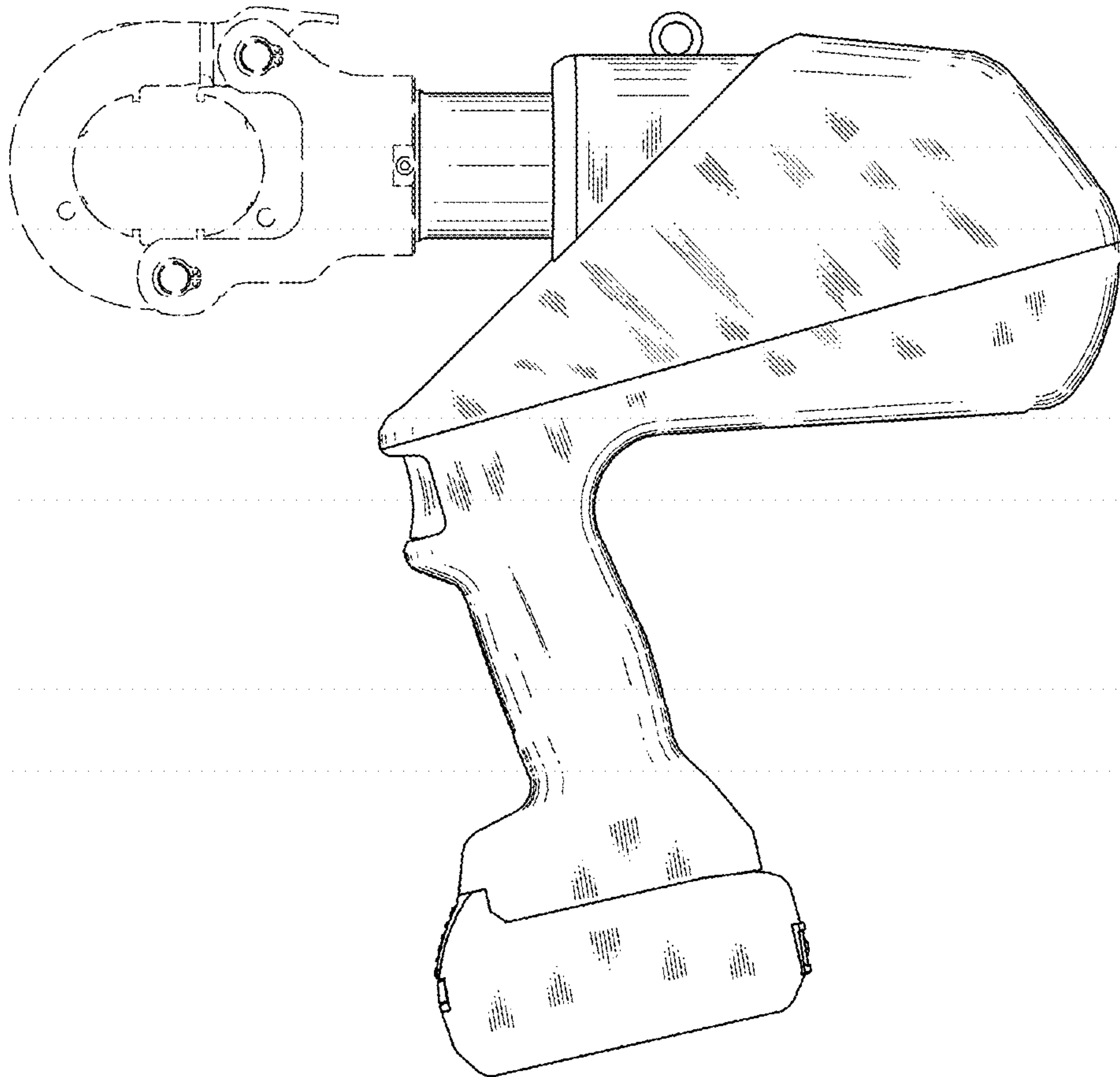


Fig. 4

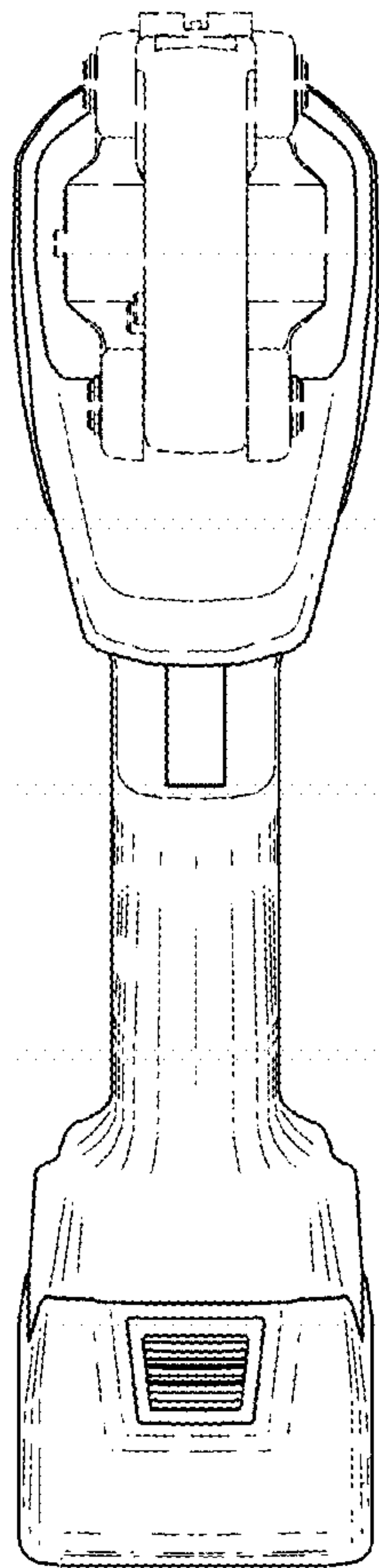


Fig. 5

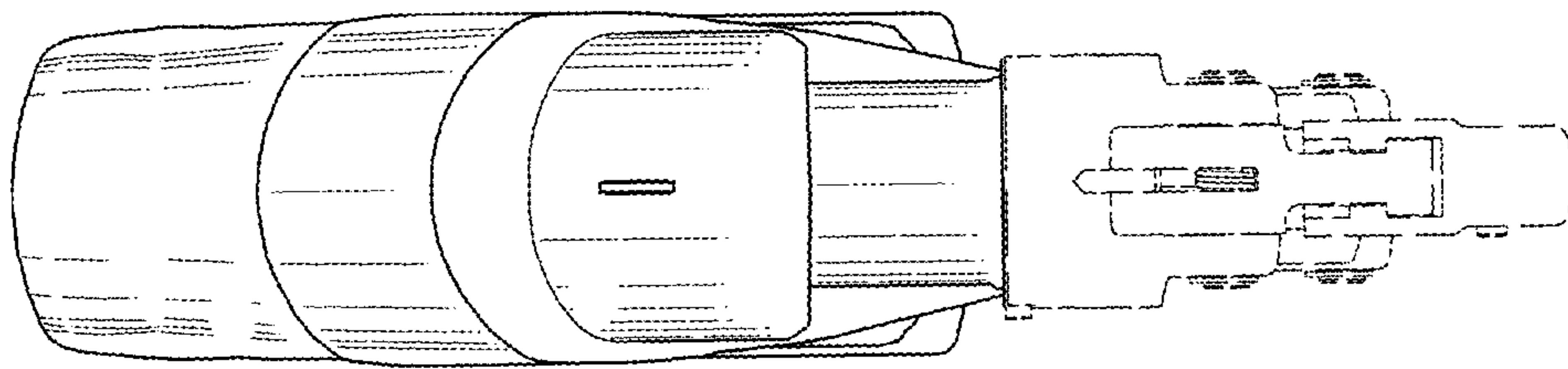


Fig. 6

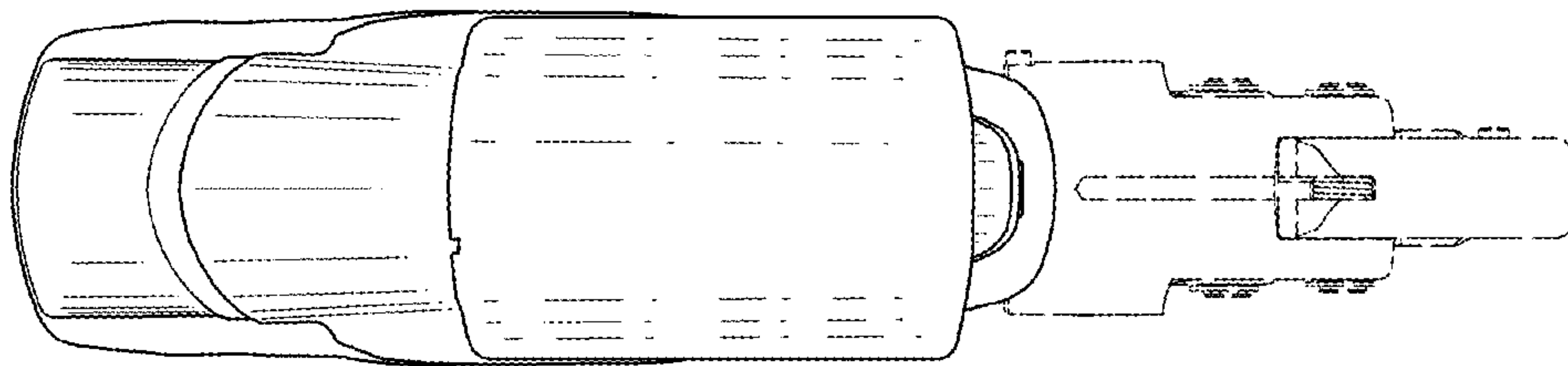


Fig. 7

