



US00D944614S

(12) **United States Design Patent** (10) **Patent No.:** **US D944,614 S**
Nakamura et al. (45) **Date of Patent:** **** Mar. 1, 2022**

(54) **MITER SAW**

(71) Applicant: **MAKITA CORPORATION**, Anjo (JP)

(72) Inventors: **Kento Nakamura**, Anjo (JP); **Goh Yamamura**, Anjo (JP); **Yuto Yoshida**, Anjo (JP); **Yuki Miwa**, Anjo (JP)

(73) Assignee: **MAKITA CORPORATION**, Anjo (JP)

(**) Term: **15 Years**

(21) Appl. No.: **29/719,879**

(22) Filed: **Jan. 8, 2020**

(30) **Foreign Application Priority Data**

Jul. 9, 2019 (JP) 2019-015397

(51) **LOC (13) Cl.** **08-03**

(52) **U.S. Cl.**
USPC **D8/64**

(58) **Field of Classification Search**
USPC D8/66, 64, 62, 67, 69, 61, 65; D15/127;
81/57.26, 464, 469; D21/532
(Continued)

(56) **References Cited**

U.S. PATENT DOCUMENTS

D305,542 S * 1/1990 Miyamoto D15/133
D317,110 S * 5/1991 Arehart D8/66
(Continued)

FOREIGN PATENT DOCUMENTS

JP 1440190 S 5/2012

OTHER PUBLICATIONS

Makita DLS600Z 18V Li-ion LXT 165mm Brushless Mitre Saw, Mar. 12, 2021, Amazon.uk.co, Jan. 2, 2018, <https://www.amazon.co.uk/Makita-DLS600Z-Li-ion-165mm-Brushless/dp/B0776YLL4R/> (Year: 2018).*

Makita 10_ Dual-Bevel Sliding Compound Miter Saw with Laser LS1019L_ The Tool Nut, Mar. 12, 2021, toolnut.com, Mar. 5, 2020, <https://www.toolnut.com/makita-ls1019l-10-dual-bevel-sliding-compound-miter-saw-with-laser.html> (Year: 2020).*

Primary Examiner — Sandra Snapp
Assistant Examiner — Elizabeth S Ko
(74) *Attorney, Agent, or Firm* — Global IP Counselors, LLP

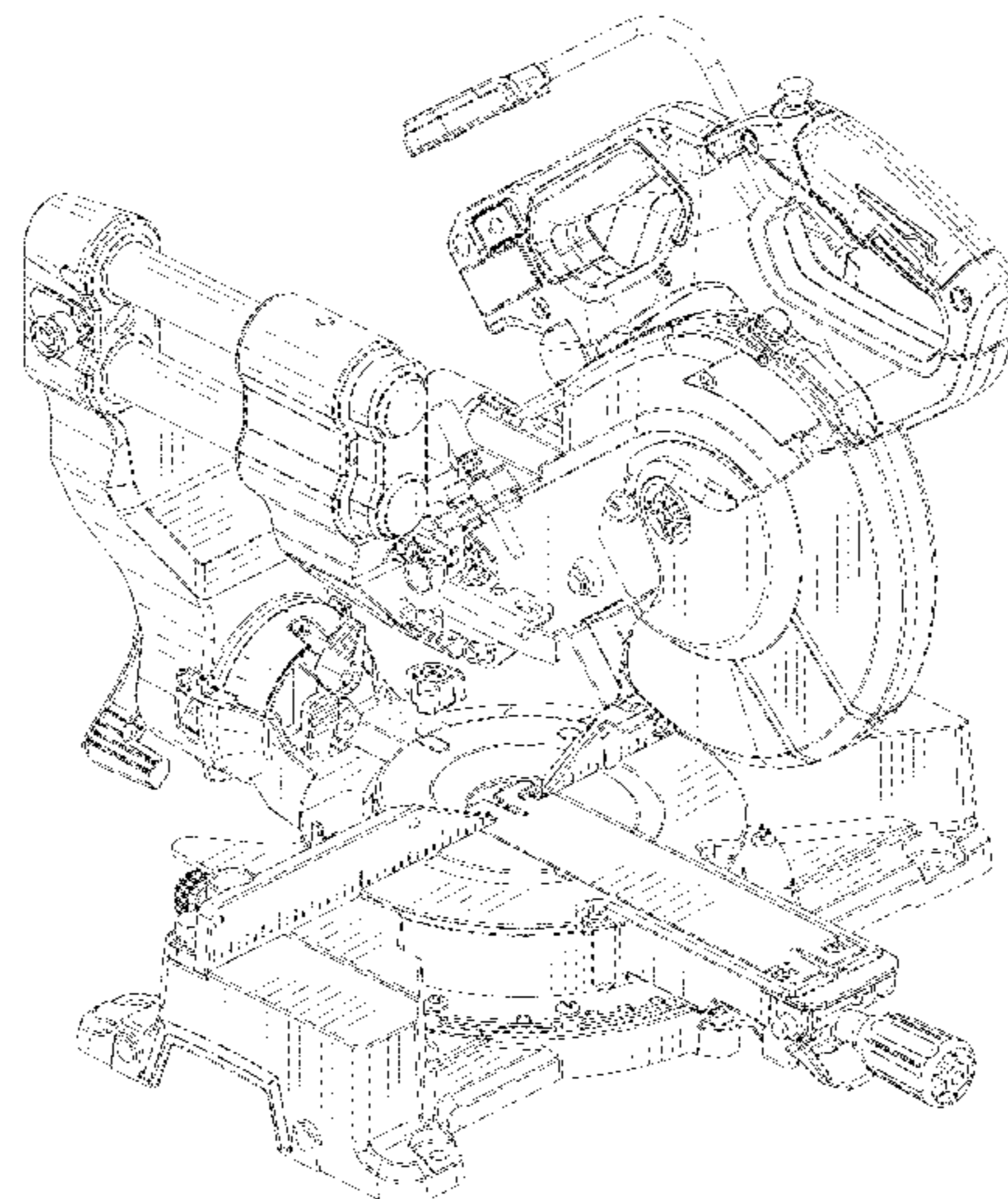
(57) **CLAIM**

The ornamental design for a miter saw, as shown and described.

DESCRIPTION

FIG. 1 is a front perspective view of a miter saw in accordance with our new design;
FIG. 2 is a rear perspective view of the miter saw in accordance with our new design;
FIG. 3 is a front elevational view of the miter saw in accordance with our new design;
FIG. 4 is a rear elevational view of the miter saw in accordance with our new design;
FIG. 5 is a top plan view of the miter saw in accordance with our new design;
FIG. 6 is a bottom plan view of the miter saw in accordance with our new design;
FIG. 7 is a right side elevational view of the miter saw in accordance with our new design;
FIG. 8 is a left side elevational view of the miter saw in accordance with our new design; and,
FIG. 9 is a rear perspective view showing a state in which a battery is attached to the miter saw in accordance with our new design.
The broken lines showing a battery in FIG. 9 depict the environment of the miter saw and forms no part of the claimed design. All remaining broken lines in the drawings depict portions of the miter saw and forms no part of the claimed design.

1 Claim, 9 Drawing Sheets



(58) **Field of Classification Search**

CPC B23D 59/006; B27B 9/00
See application file for complete search history.

(56) **References Cited**

U.S. PATENT DOCUMENTS

D338,605 S * 8/1993 Dehari D15/133
D374,803 S * 10/1996 Terpstra D15/133
D409,066 S * 5/1999 Welsh D8/66
D415,000 S * 10/1999 Sakai D8/66
D415,001 S * 10/1999 Welsh D15/133
D415,942 S * 11/1999 Shibata D15/133
D559,643 S * 1/2008 Wright D8/66
D831,710 S * 10/2018 Imsand D15/133
D860,272 S * 9/2019 Conley D15/133
2016/0243631 A1 * 8/2016 Brewster B23D 59/003
2017/0120435 A1 * 5/2017 Palich B25F 5/008
2019/0314908 A1 * 10/2019 Aoyama B27B 5/20
2019/0375060 A1 * 12/2019 Hart B23D 45/048
2020/0055131 A1 * 2/2020 Kani B23D 45/048
2021/0023636 A1 * 1/2021 Chiang B23D 47/123
2021/0053129 A1 * 2/2021 Suzuki B23D 47/025

* cited by examiner

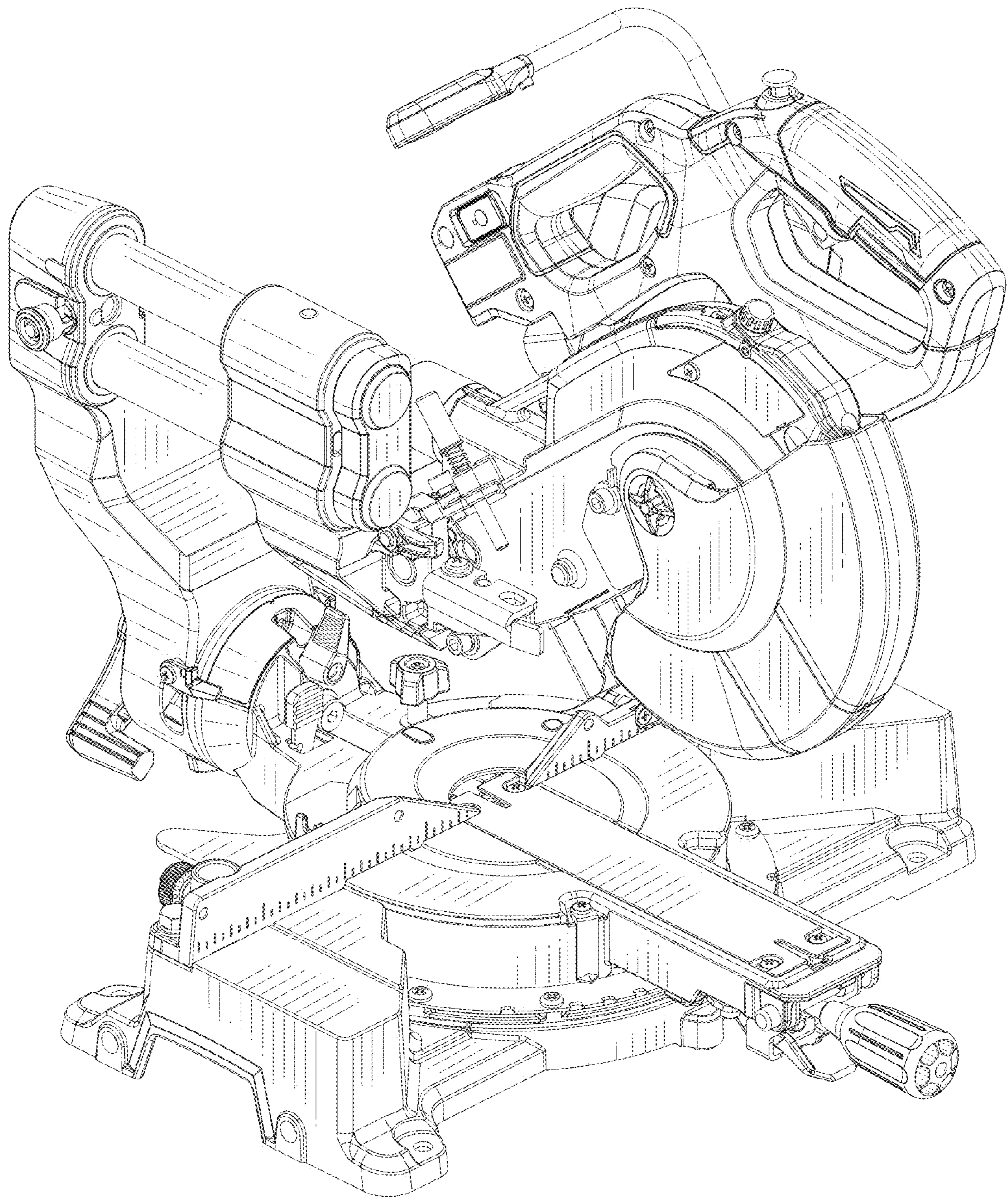


FIG. 1

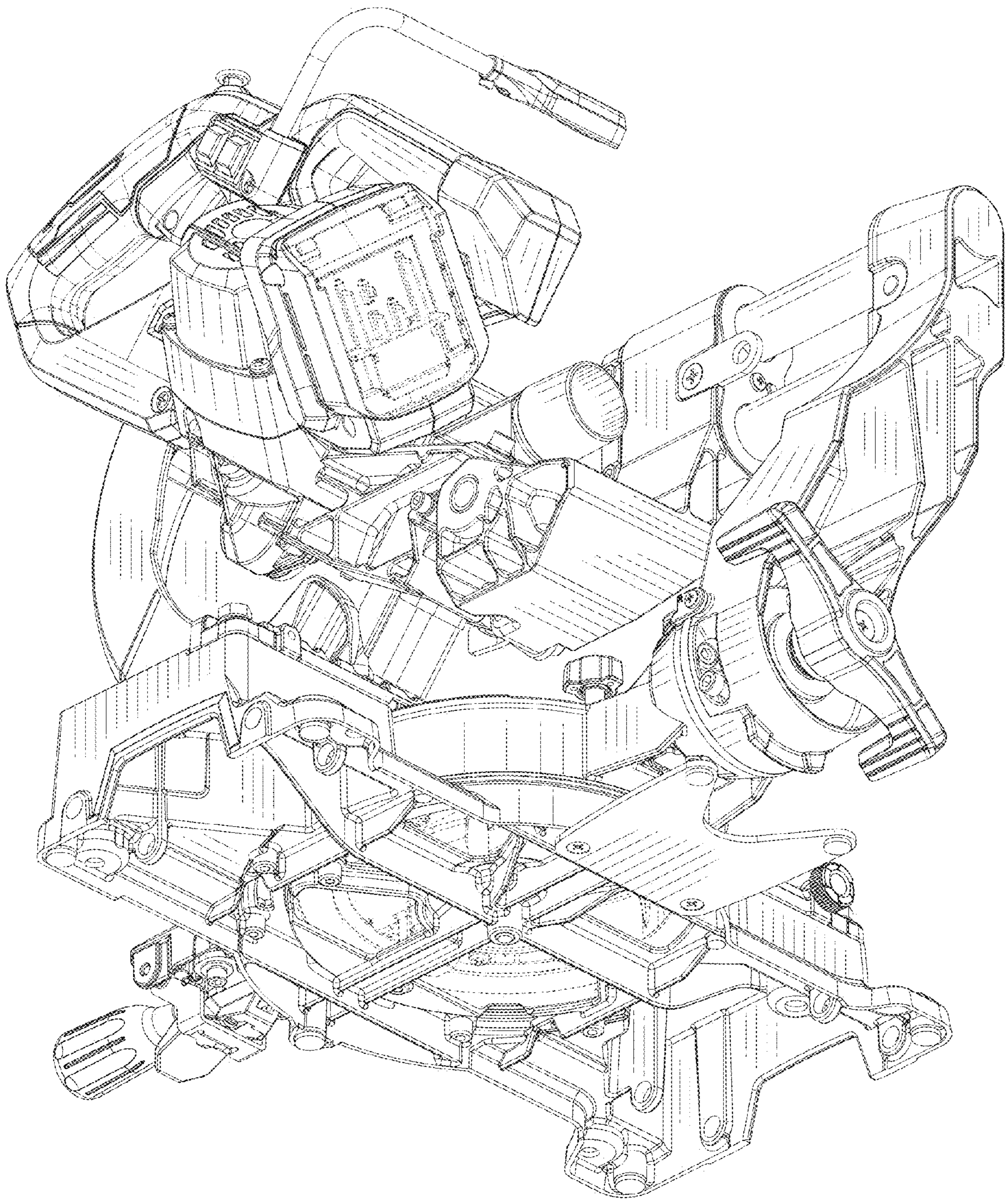


FIG. 2

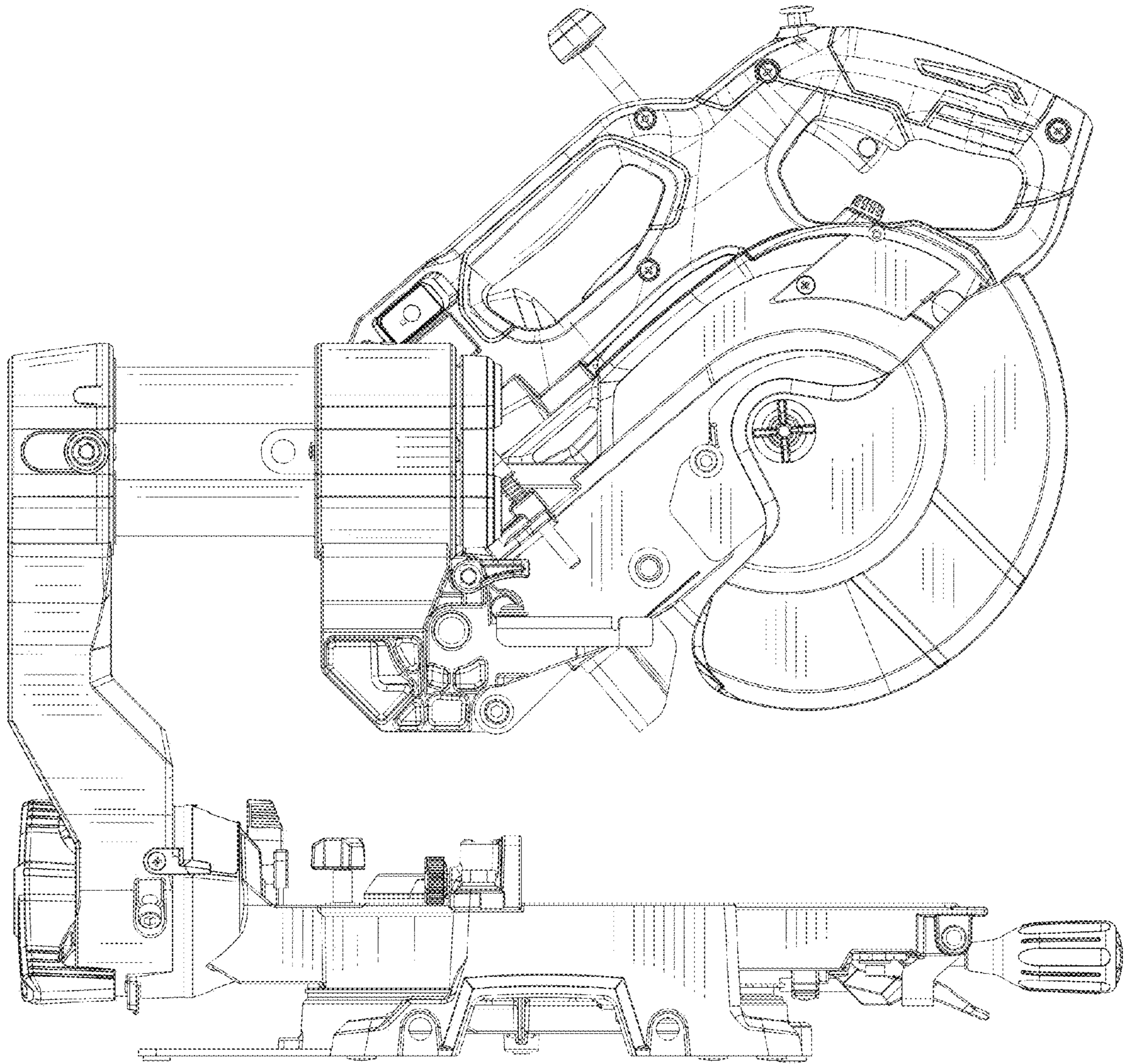


FIG. 3

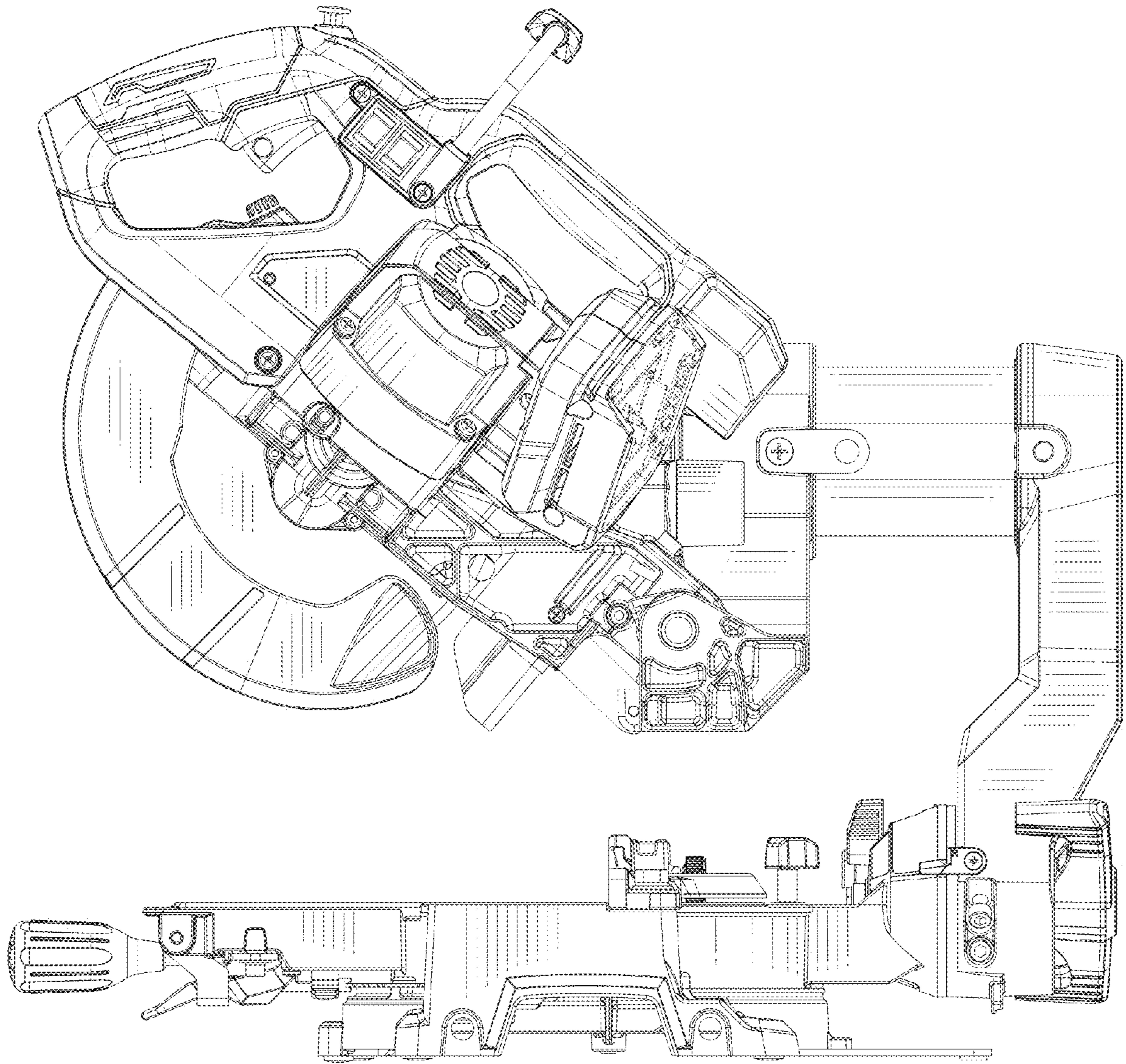


FIG. 4

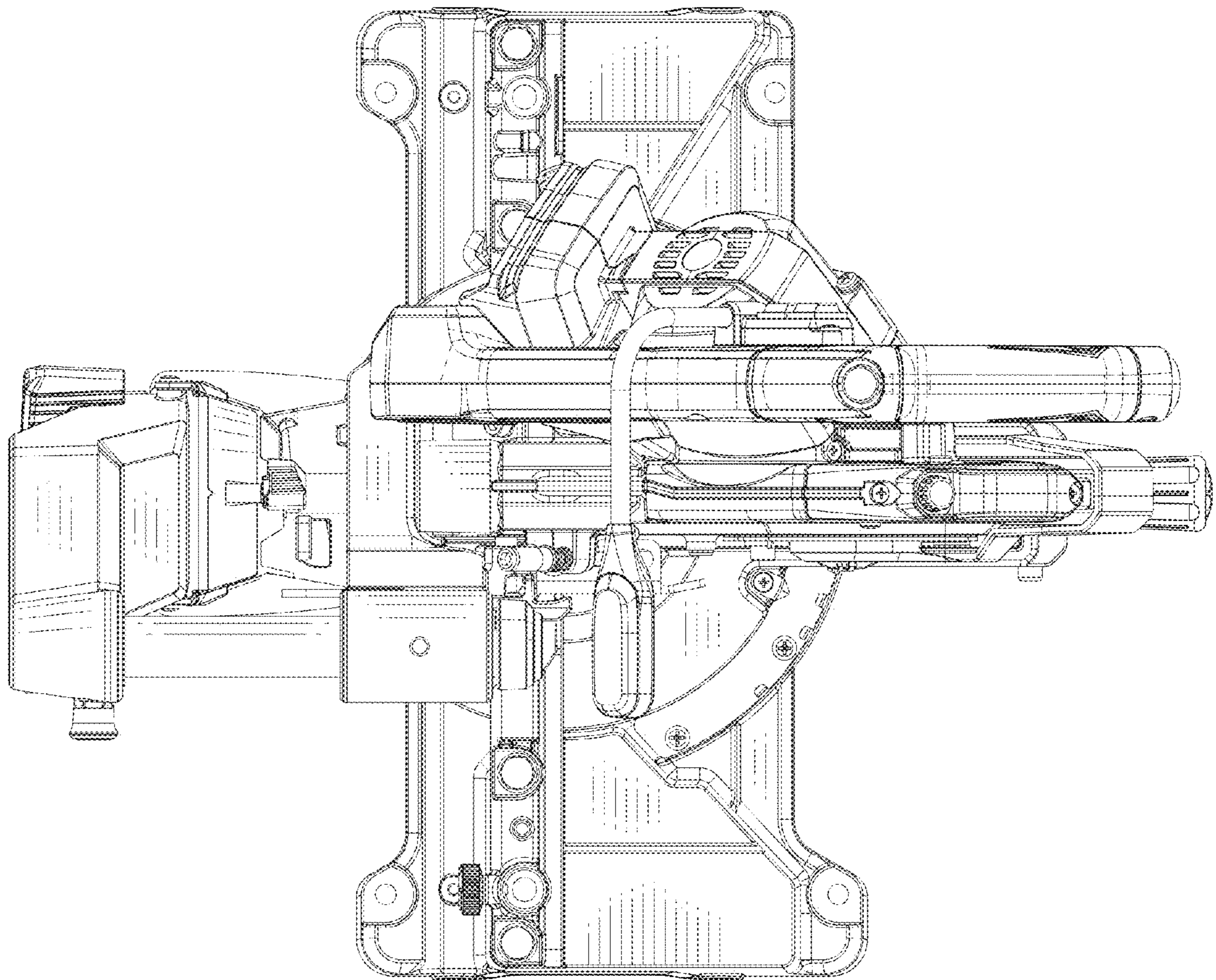


FIG. 5

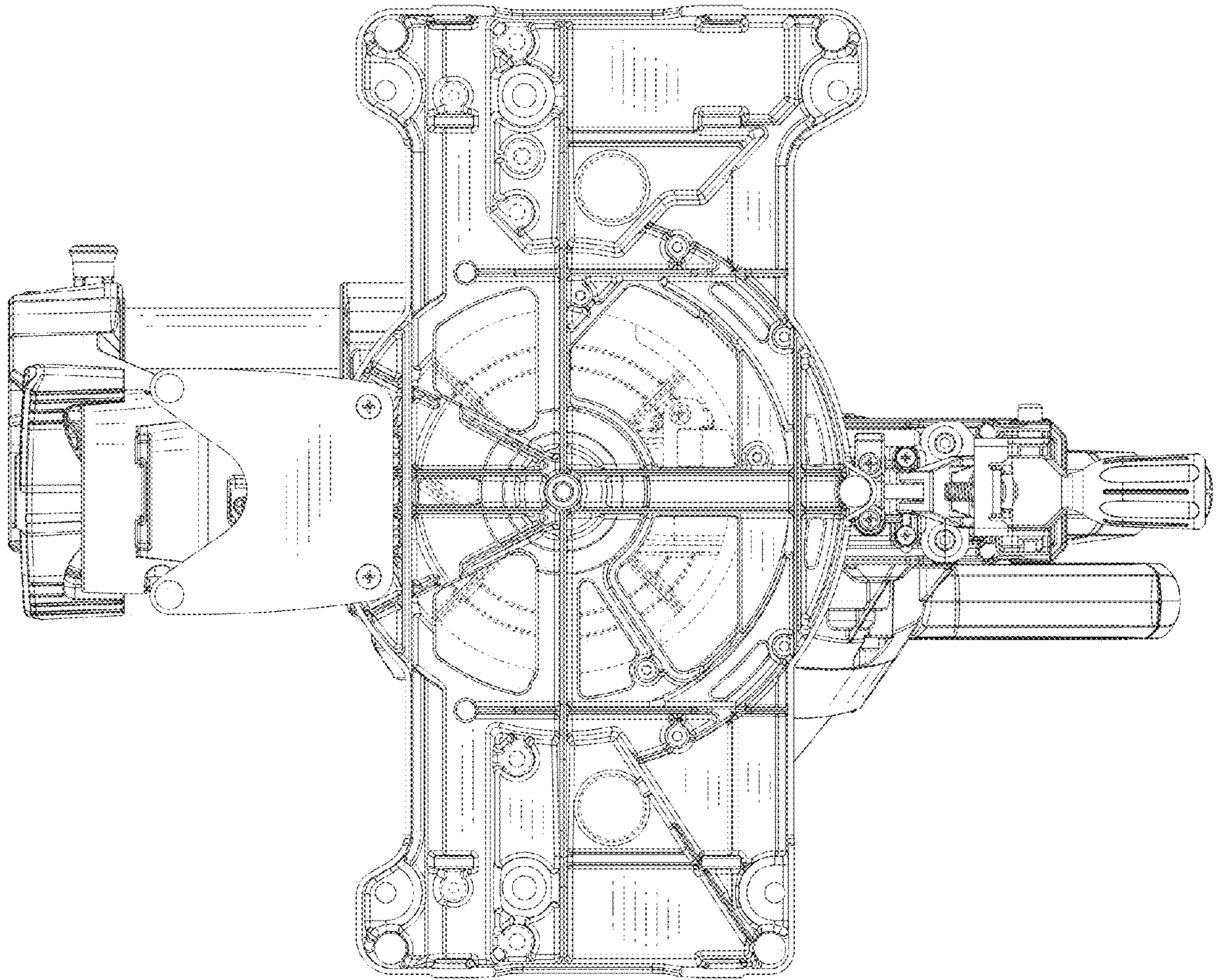


FIG. 6

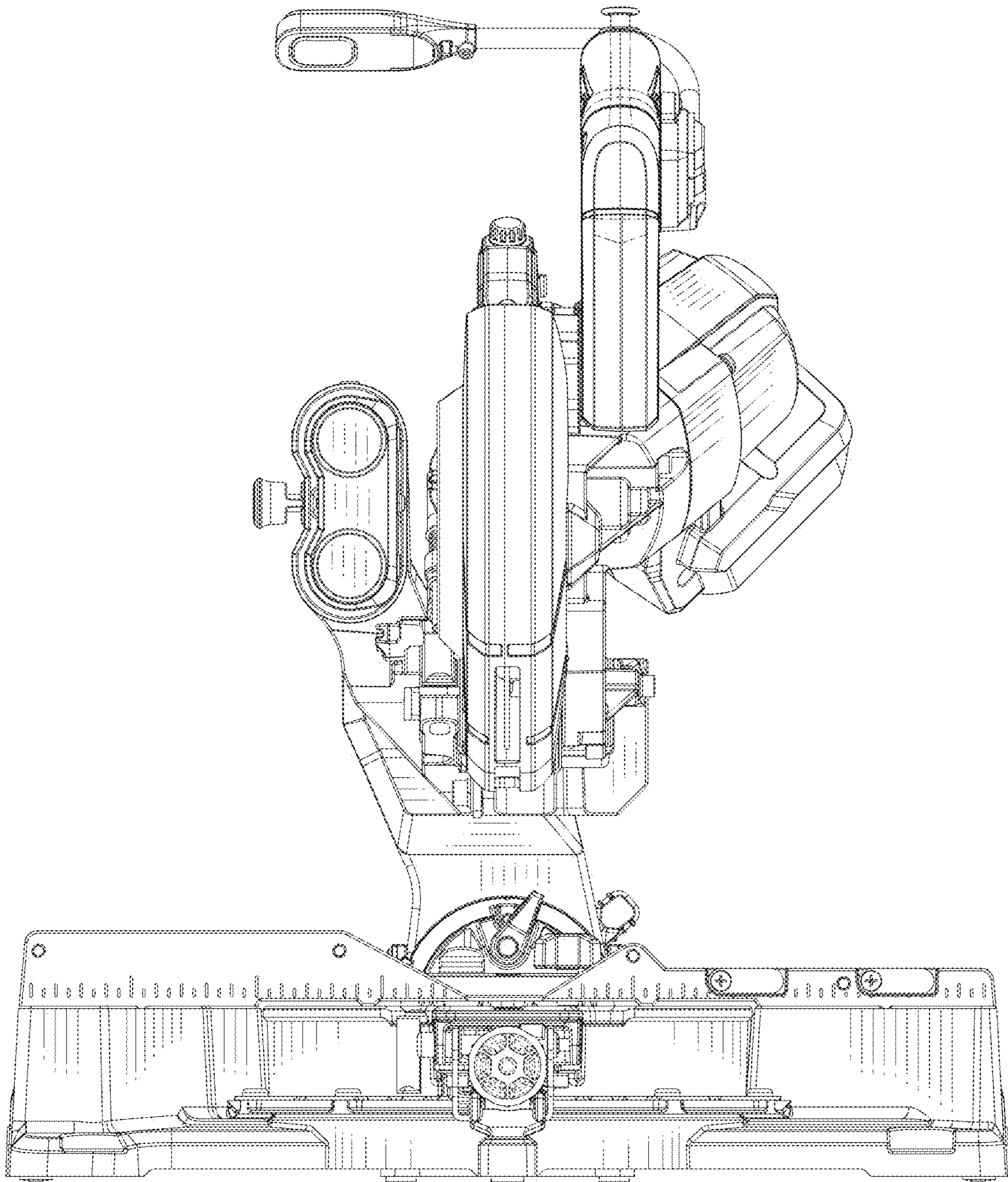


FIG. 7

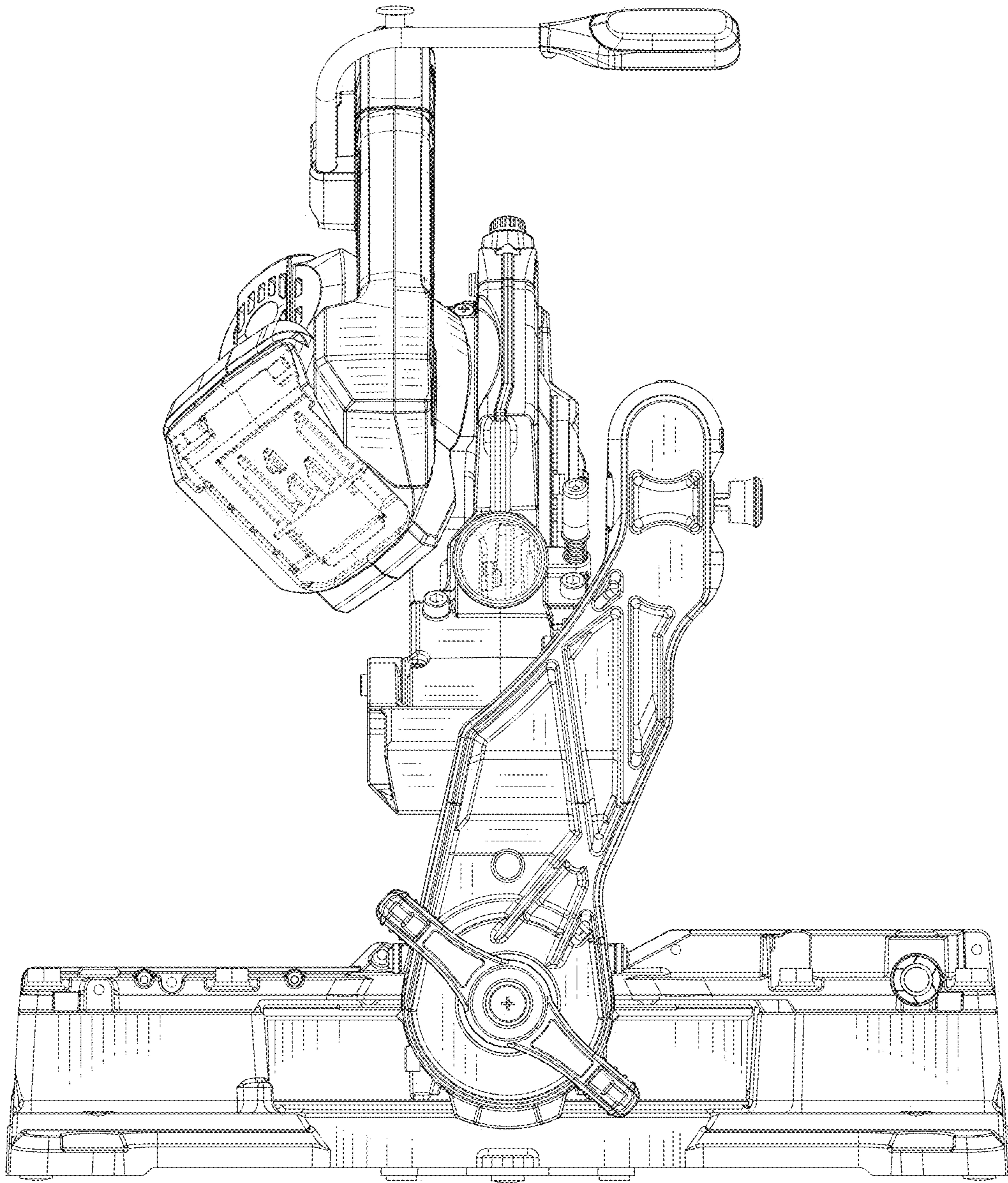


FIG. 8

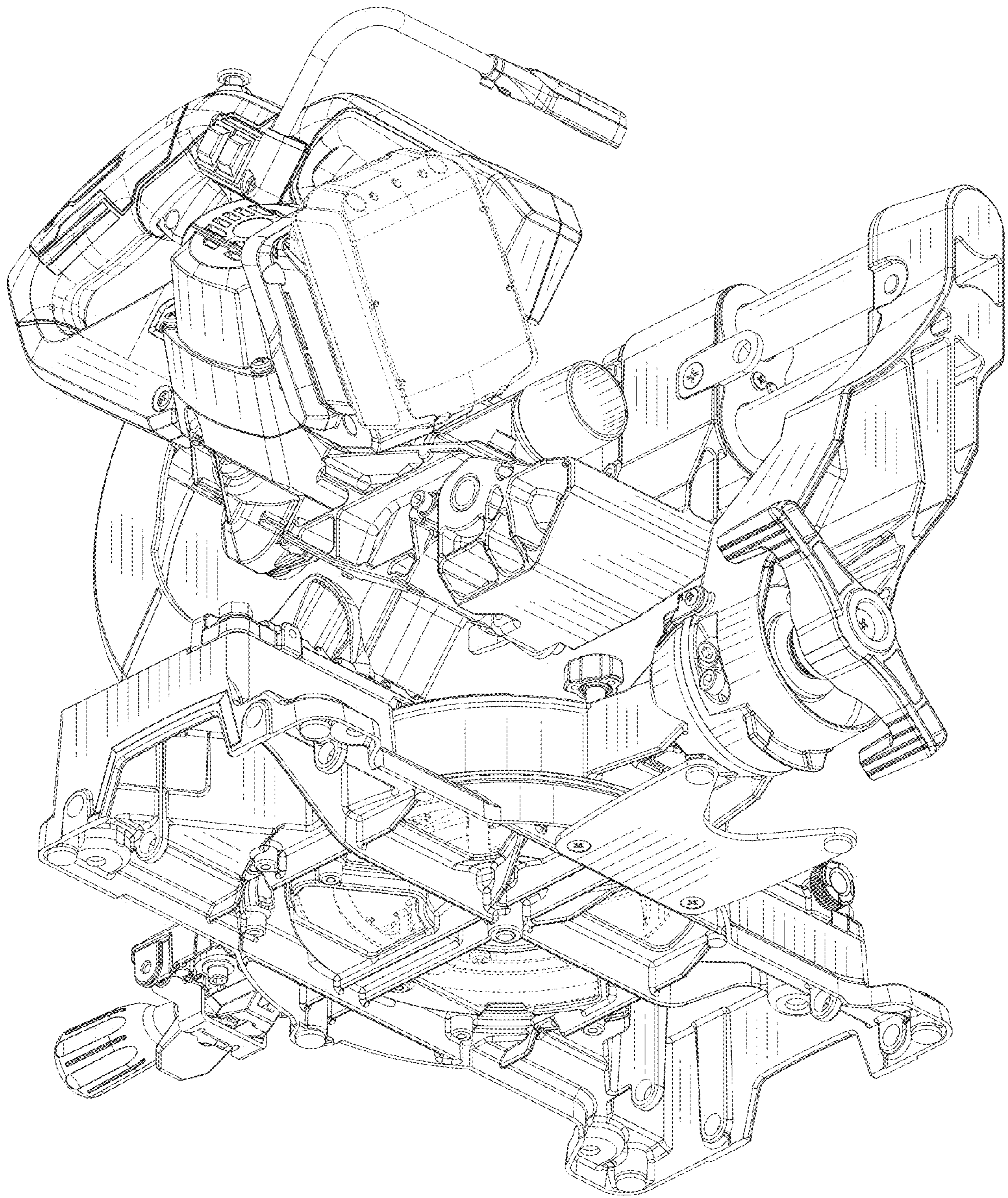


FIG. 9