



US00D944613S

(12) **United States Design Patent**  
**Liu**

(10) **Patent No.:** **US D944,613 S**  
(45) **Date of Patent:** **\*\* Mar. 1, 2022**

(54) **SCISSORS**  
(71) Applicant: **Chao-Chih Liu**, Taichung (TW)  
(72) Inventor: **Chao-Chih Liu**, Taichung (TW)  
(\*\*) Term: **15 Years**

D640,106 S \* 6/2011 Molina ..... D8/57  
D642,032 S \* 7/2011 Molina ..... D8/57  
D642,035 S \* 7/2011 Molina ..... D8/57  
D755,599 S \* 5/2016 Payne ..... D8/57  
D786,039 S \* 5/2017 Roberts ..... D8/57  
D810,535 S \* 2/2018 Liu ..... D8/57  
D823,086 S \* 7/2018 Graykowski ..... D8/57

(21) Appl. No.: **29/707,761**  
(22) Filed: **Oct. 1, 2019**  
(51) **LOC (13) Cl.** ..... **08-03**  
(52) **U.S. Cl.**  
USPC ..... **D8/57**  
(58) **Field of Classification Search**  
USPC ..... D8/4, 5, 14, 51-582  
CPC ..... B26B 13/12; B26B 13/14; B26B 13/20;  
B26B 13/00; B26B 13/005; B26B 13/06  
See application file for complete search history.

**FOREIGN PATENT DOCUMENTS**

CN 305740748 \* 4/2020  
\* cited by examiner

*Primary Examiner* — Deanna L Pratt

(57) **CLAIM**

The ornamental design for a scissors, shown and described.

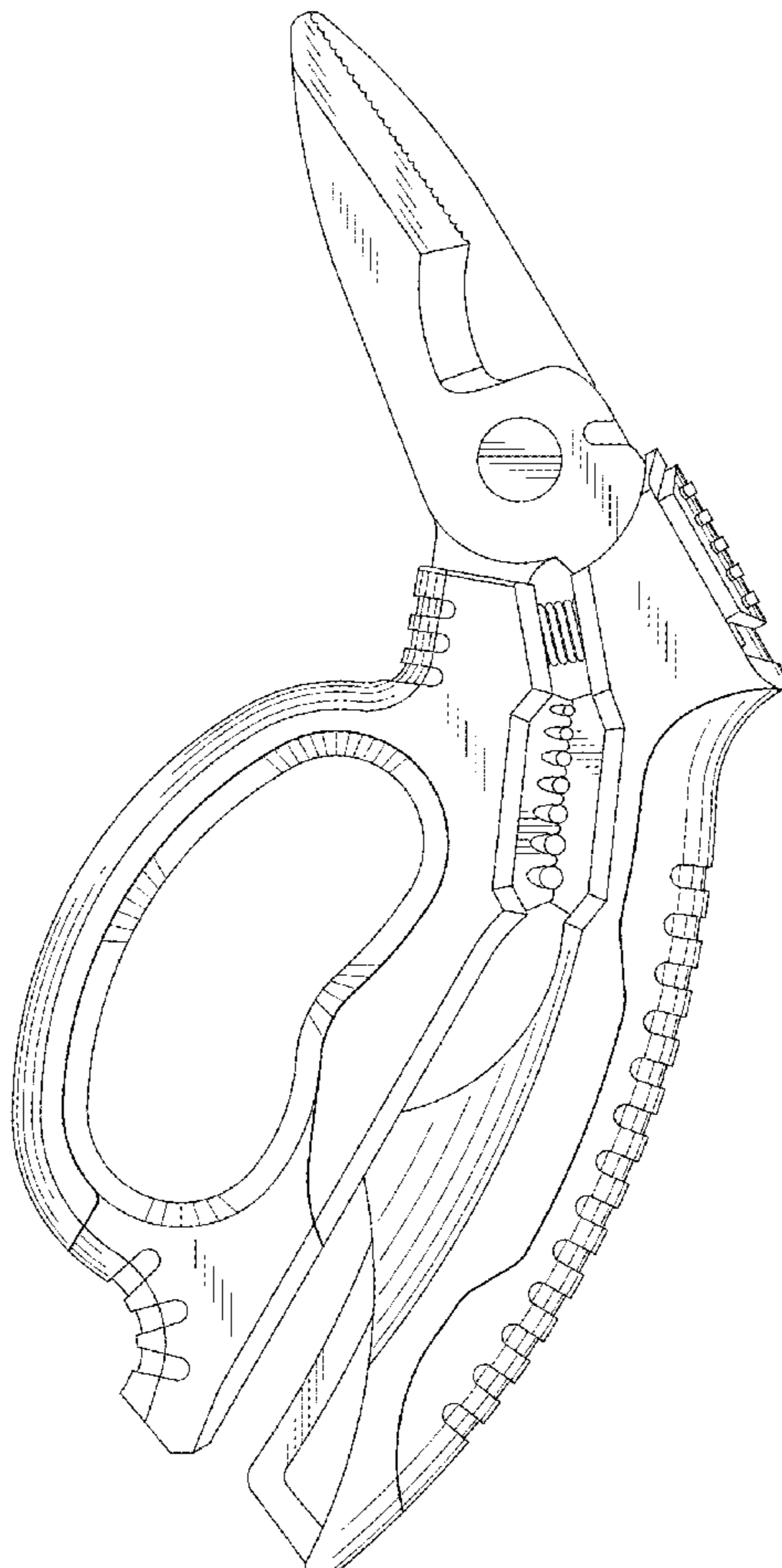
**DESCRIPTION**

FIG. 1 is a front-right-top perspective view of the scissors showing my new design;  
FIG. 2 is a front elevational view thereof;  
FIG. 3 is a rear front elevational view thereof;  
FIG. 4 is a left side elevational view thereof;  
FIG. 5 is a right side elevational view thereof;  
FIG. 6 is a top plan view thereof; and,  
FIG. 7 is a bottom plan view thereof.

(56) **References Cited**  
U.S. PATENT DOCUMENTS

D523,307 S \* 6/2006 Chang ..... D8/107  
D537,311 S \* 2/2007 Peterson ..... D8/5  
D584,122 S \* 1/2009 Caroca ..... D8/57  
D611,793 S \* 3/2010 Trewartha ..... D8/57  
D623,917 S \* 9/2010 Goetz ..... D8/57

**1 Claim, 7 Drawing Sheets**



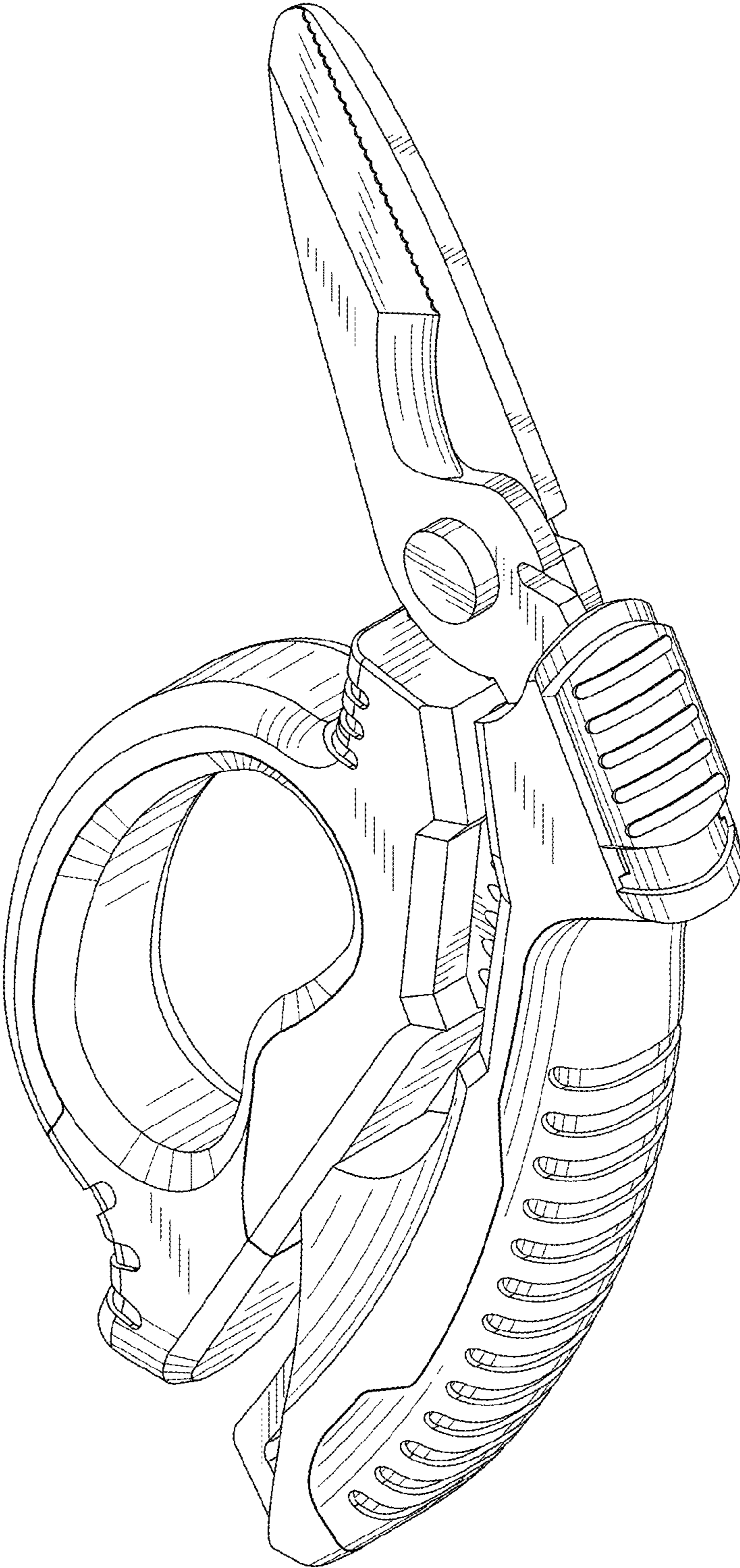


FIG.1

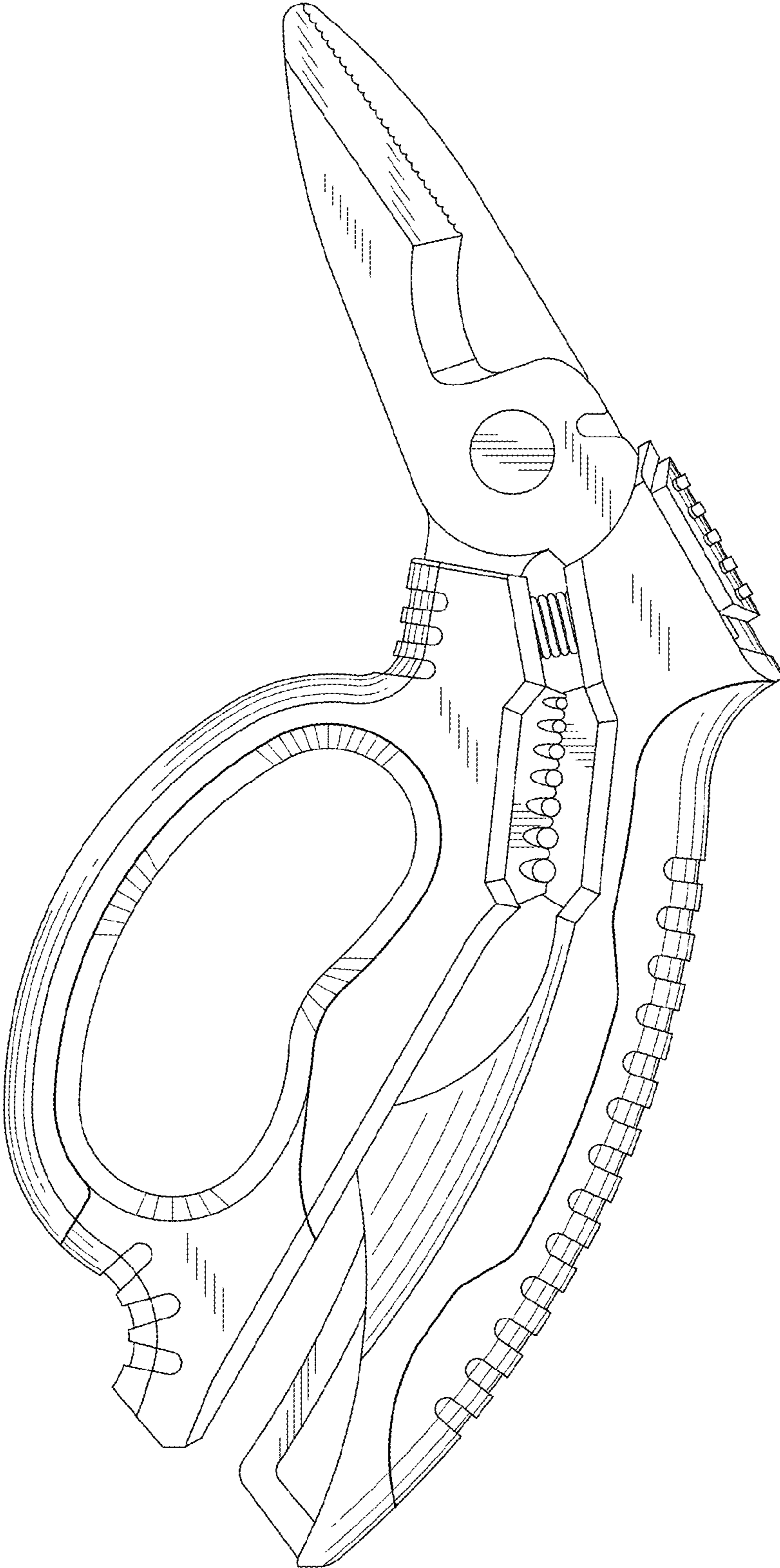


FIG.2

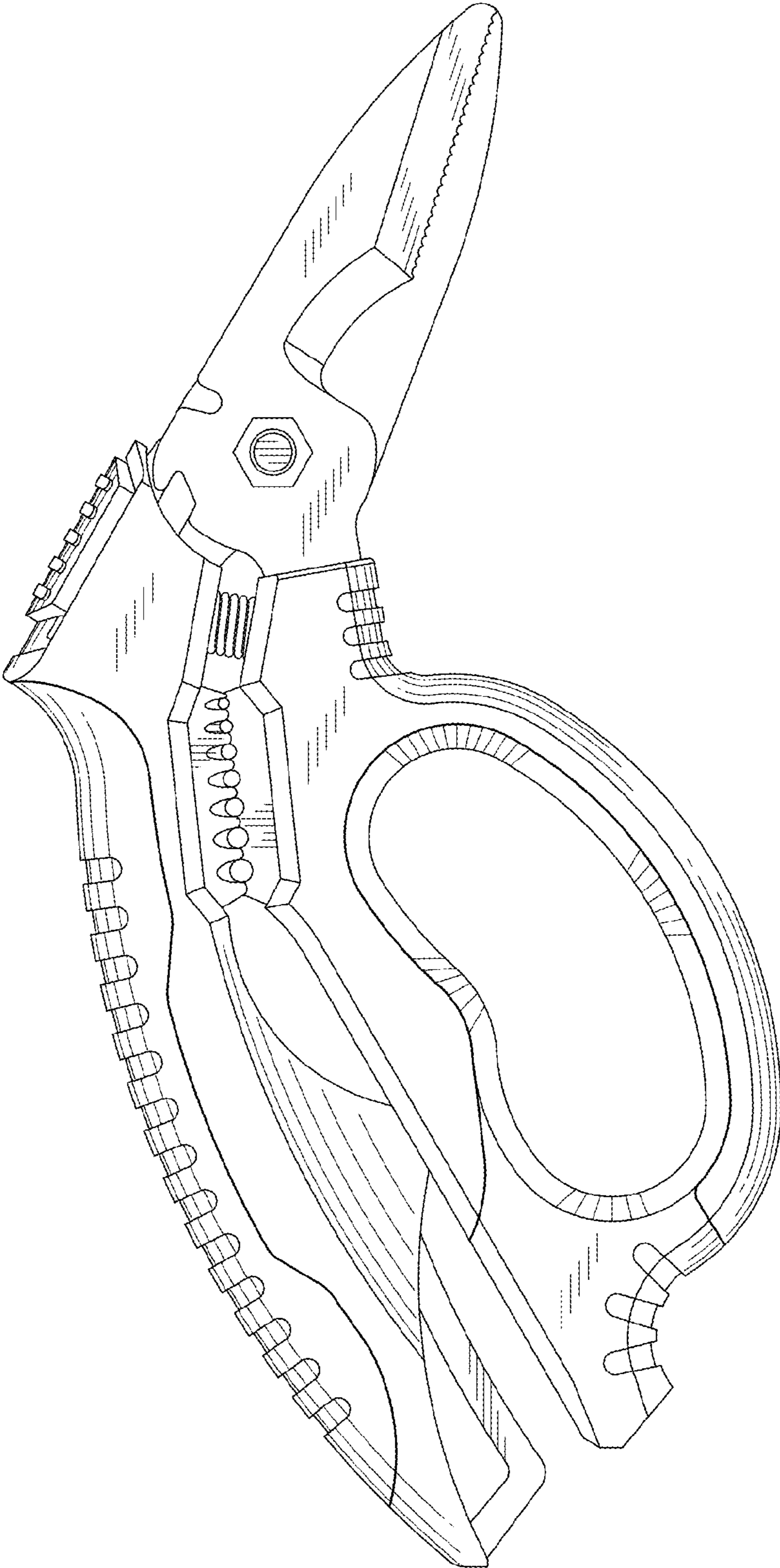


FIG.3

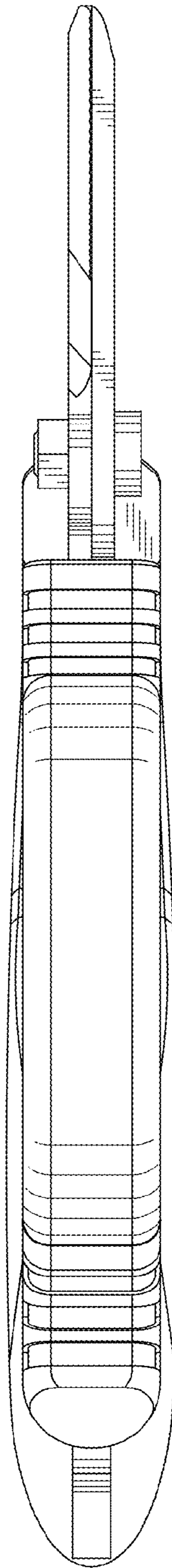


FIG.4

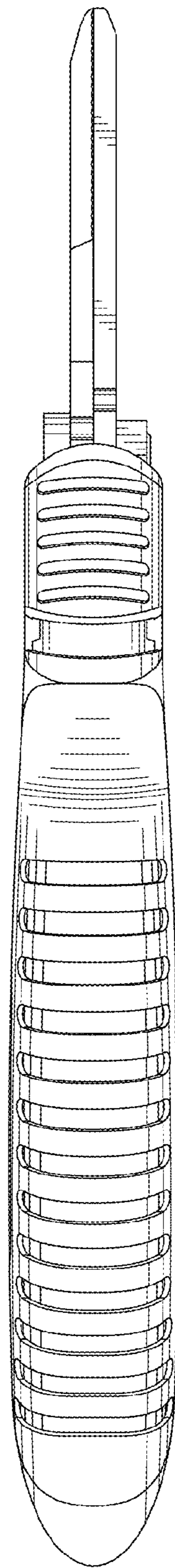


FIG.5

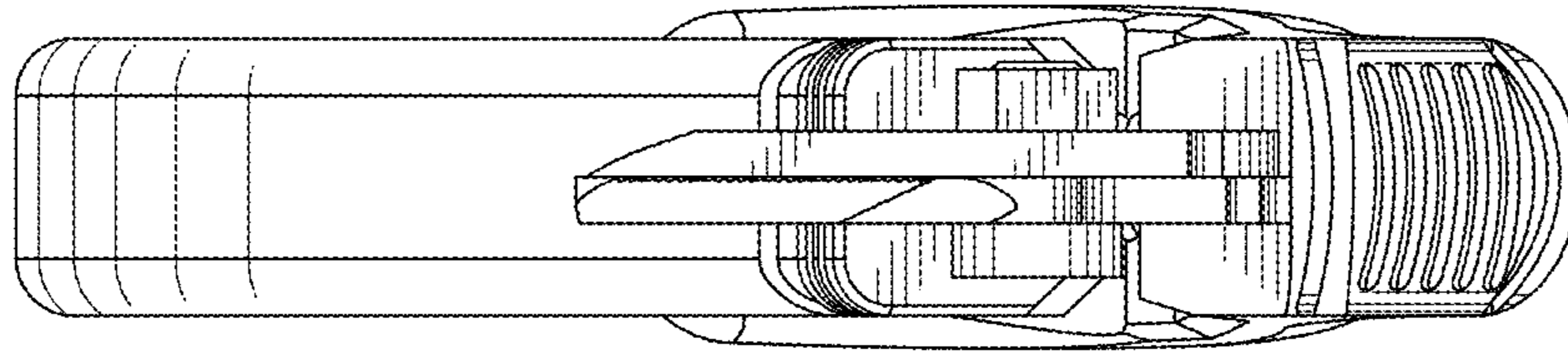


FIG.6

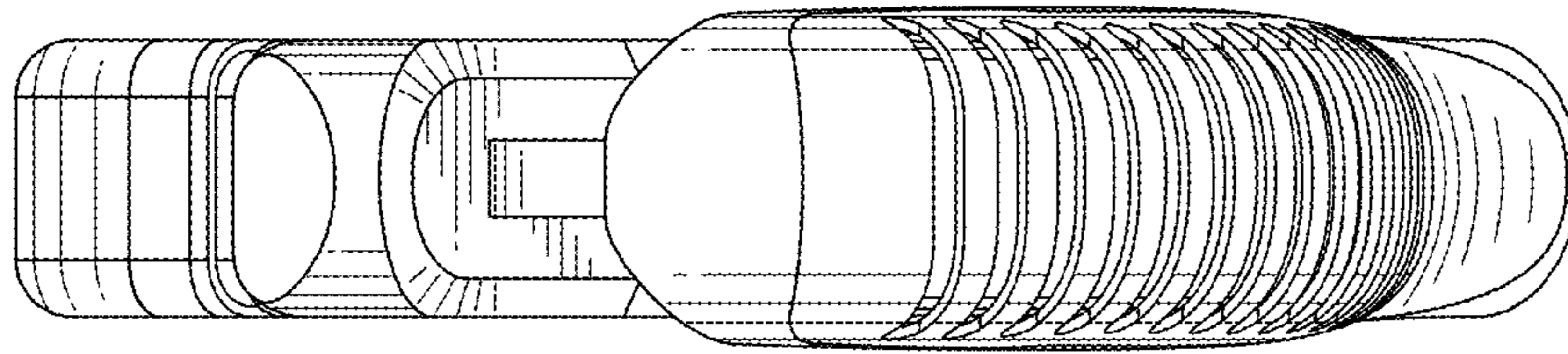


FIG.7