



US00D944612S

(12) **United States Design Patent** (10) **Patent No.:** **US D944,612 S**
Brouillac (45) **Date of Patent:** **** Mar. 1, 2022**

(54) **CORKSCREW**
(71) Applicant: **PEUGEOT SAVEURS**, Quingey (FR)
(72) Inventor: **Nicolas Brouillac**, Saint Vit (FR)
(**) Term: **15 Years**
(21) Appl. No.: **35/510,628**
(22) Filed: **Oct. 13, 2020**

D754,502 S * 4/2016 Cozzolino D8/42
D807,179 S * 1/2018 Herbst D9/500
D808,754 S * 1/2018 Brouillac D8/42
D813,210 S * 3/2018 Benedetti D14/230
D838,144 S * 1/2019 Abrahamyan D7/630
D851,472 S * 6/2019 Yingchen D8/42
D853,802 S * 7/2019 Riding D7/679
D853,803 S * 7/2019 Zhang D7/679
D864,684 S * 10/2019 Brouillac D8/42
D865,522 S * 11/2019 Sordo D9/500
D913,757 S * 3/2021 Brouillac D7/679
2006/0076369 A1 * 4/2006 McGuyer A47G 19/34
222/434
2008/0093489 A1 * 4/2008 Hadj-Chikh A47J 42/08
241/169.1

(80) **Hague Agreement Data**

Int. Filing Date: **Oct. 13, 2020**
Int. Reg. No.: **DM/210905**
Int. Reg. Date: **Oct. 13, 2020**
Int. Reg. Pub. Date: **Oct. 30, 2020**

FOREIGN PATENT DOCUMENTS

CN 305399896 * 10/2019
CN 306568001 * 5/2021
EM 002125583-0001 * 11/2012

(51) **LOC (13) Cl.** **07-06**
(52) **U.S. Cl.**
USPC **D8/42**
(58) **Field of Classification Search**
USPC D8/40, 42, 43; D7/679
CPC B67B 7/0405
See application file for complete search history.

* cited by examiner

Primary Examiner — Deanna L Pratt

(57) **CLAIM**

The ornamental design for a corkscrew, as shown and described.

(56) **References Cited**

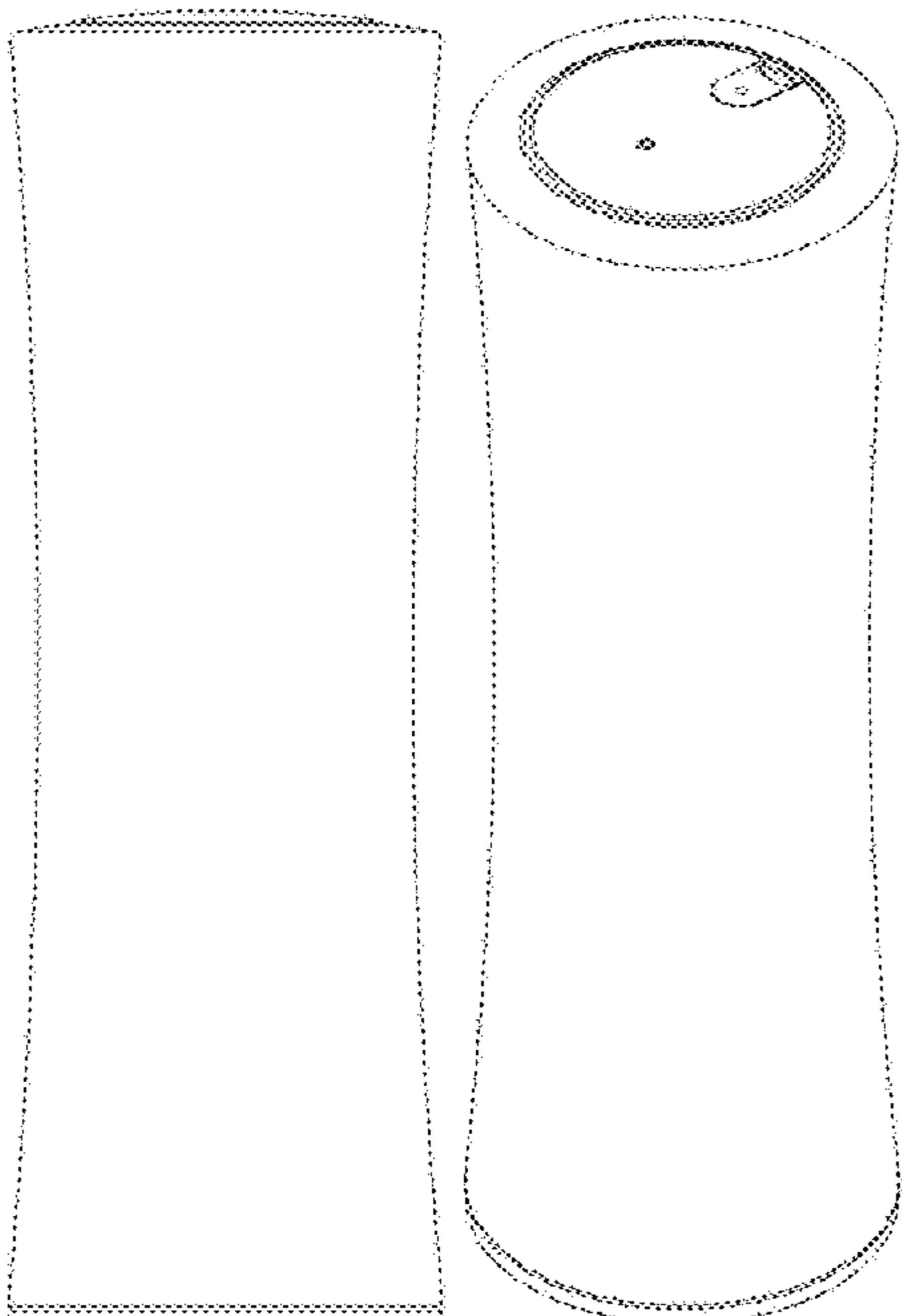
DESCRIPTION

U.S. PATENT DOCUMENTS

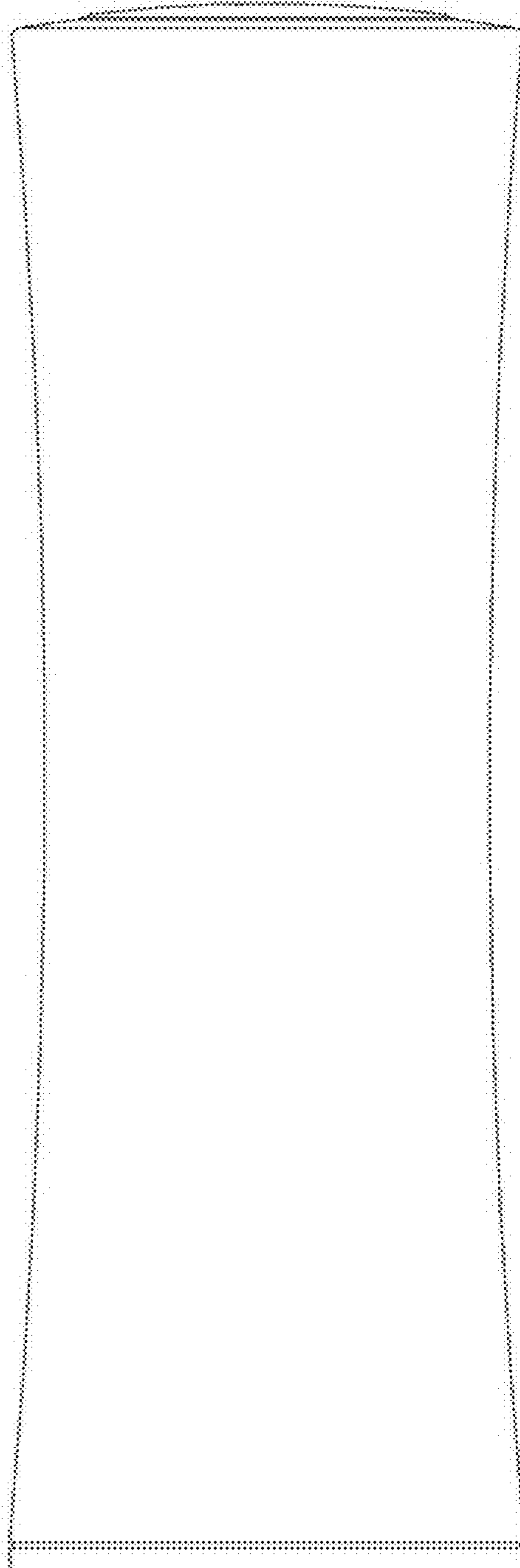
5,351,579 A * 10/1994 Metz B67B 7/0405
30/1.5
D616,261 S * 5/2010 Lundstrom D7/679
D639,662 S * 6/2011 Riguzzi D9/504
D670,985 S * 11/2012 Tompkin D8/40
D671,836 S * 12/2012 DeMarco D9/503
D710,660 S * 8/2014 Roberts, Jr. D7/679
D713,195 S * 9/2014 Hu D7/354
D714,162 S * 9/2014 Kang D9/716
D746,691 S * 1/2016 Uchida D9/504

- 1. Corkscrew
- 1.1 : Front
- 1.2 : Bottom
- 1.3 : Back
- 1.4 : Left
- 1.5 : Right
- 1.6 : Top
- 1.7 : Perspective

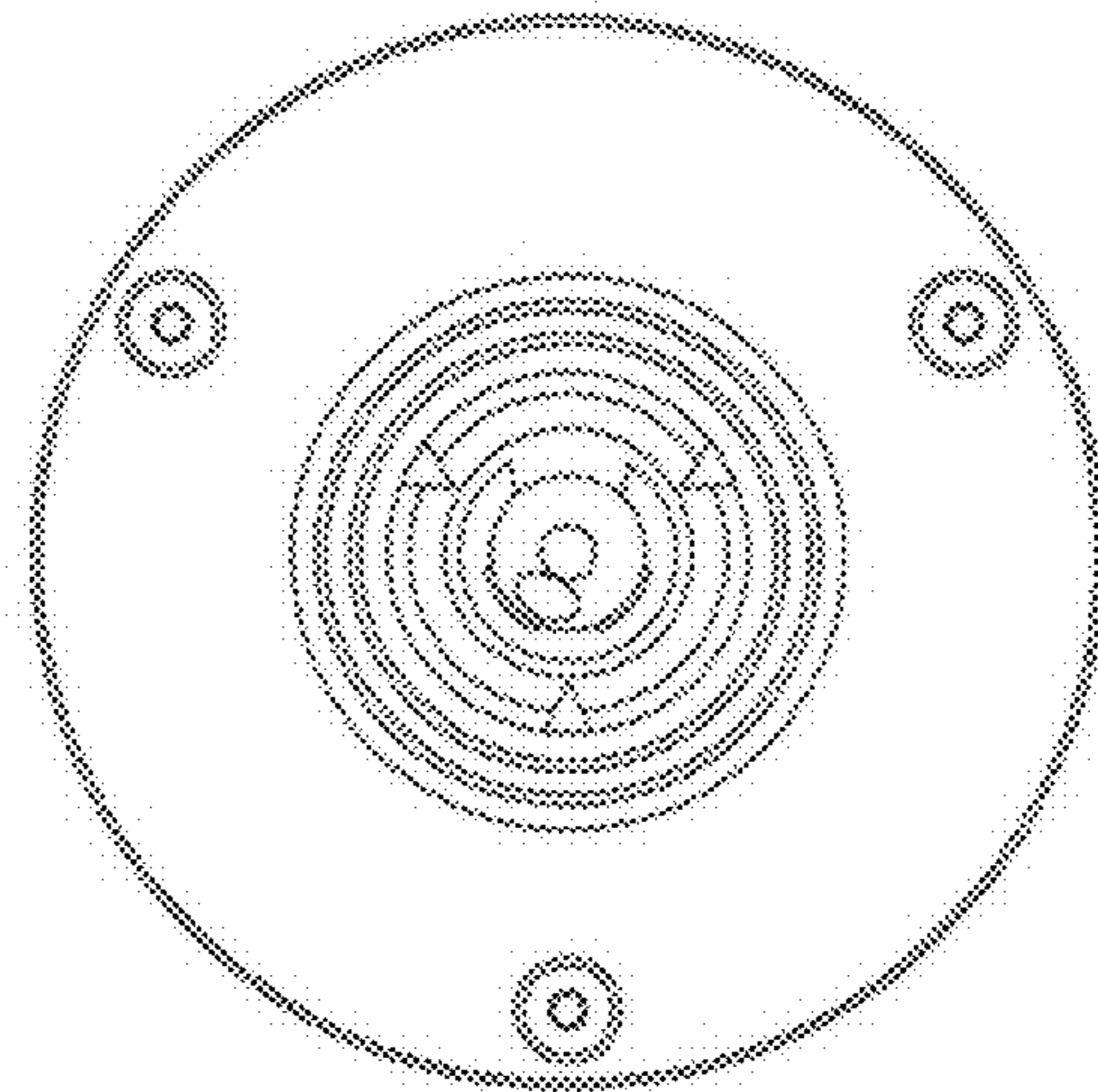
1 Claim, 7 Drawing Sheets



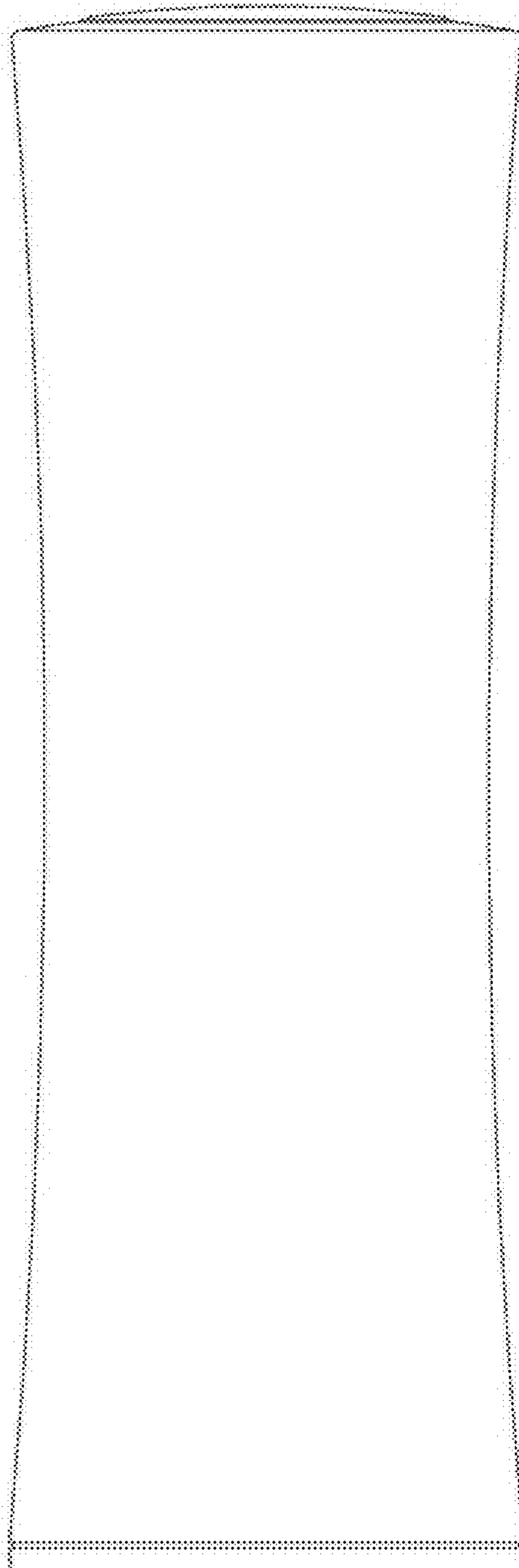
1.1



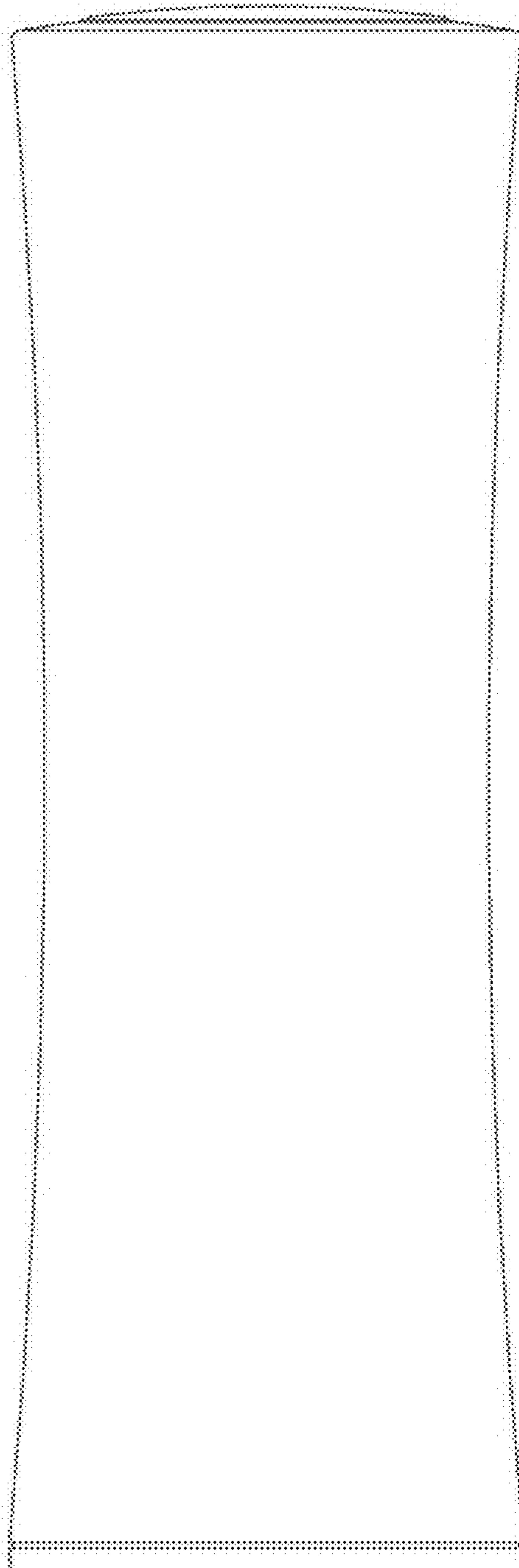
1.2



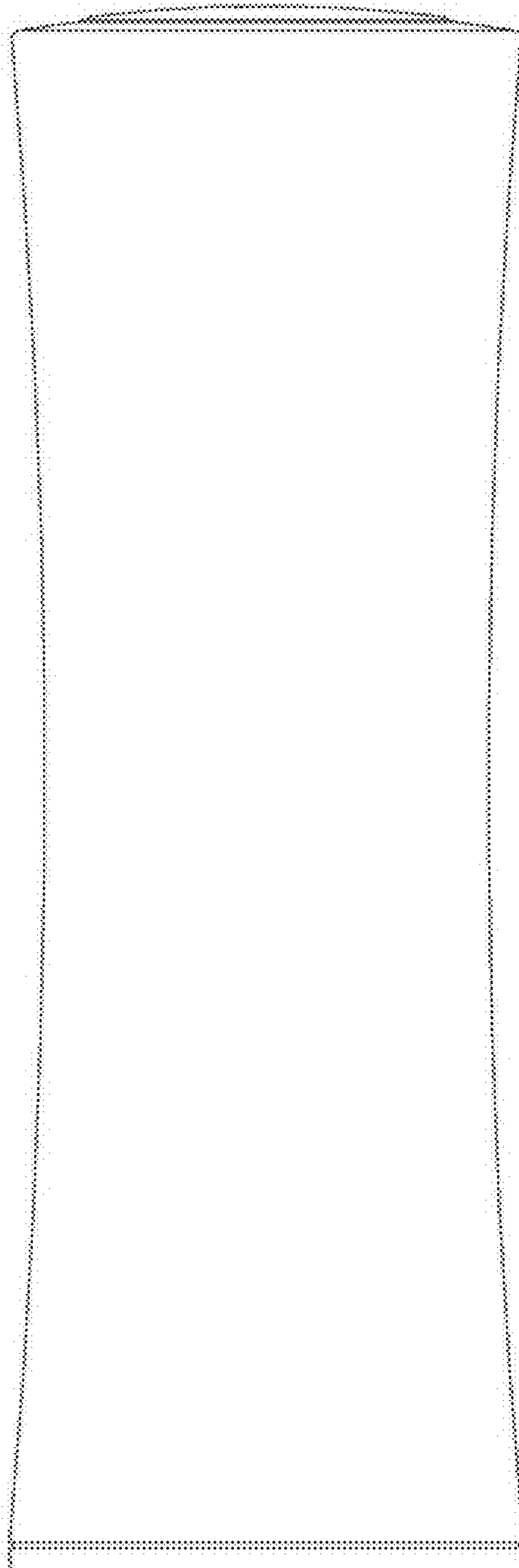
1.3



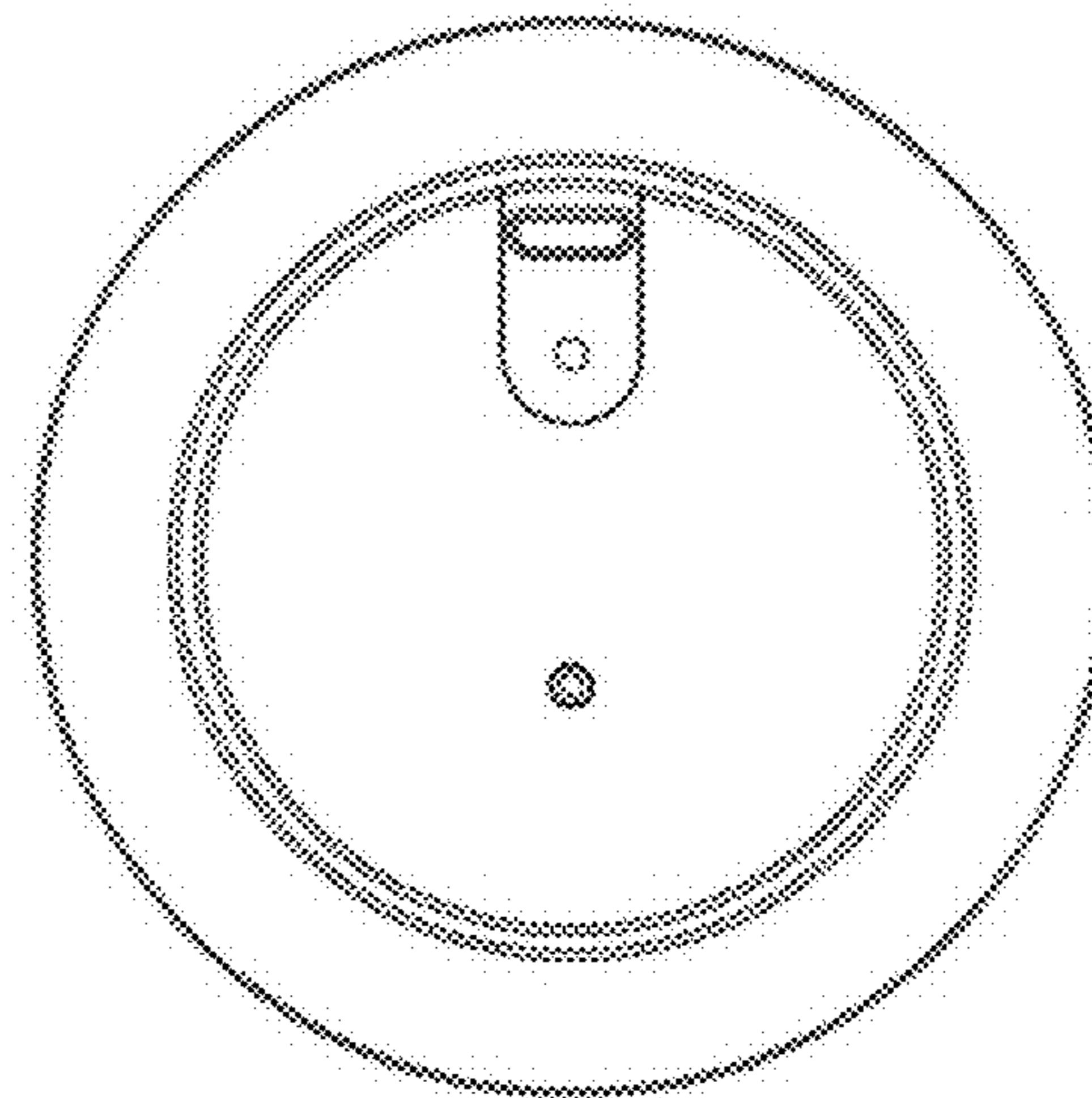
1.4



1.5



1.6



1.7

