



US00D944611S

(12) **United States Design Patent**  
**Chang**

(10) **Patent No.:** **US D944,611 S**  
(45) **Date of Patent:** **\*\* Mar. 1, 2022**

(54) **REVERSING LEVER FOR RATCHET WRENCH**

(71) Applicant: **YO HAU CHANG'S ENTERPRISE CO., LTD.**, Taichung (TW)

(72) Inventor: **Kuei-Chuan Chang**, Taichung (TW)

(73) Assignee: **YO HAU CHANG'S ENTERPRISE CO., LTD.**, Taichung (TW)

(\*\*) Term: **15 Years**

(21) Appl. No.: **29/699,019**

(22) Filed: **Jul. 22, 2019**

(51) **LOC (13) Cl.** ..... **08-05**

(52) **U.S. Cl.**  
USPC ..... **D8/25; D8/21**

(58) **Field of Classification Search**  
USPC ..... D8/14, 16, 17, 21-29  
CPC ..... B25B 13/14; B25B 13/06; B25B 13/04;  
B25B 13/46; B25B 13/00; B25B 7/02;  
B25B 13/48; B25B 13/16; B25B 13/505;  
B25B 13/5058; B25B 23/0007; B25B  
13/28; B25B 23/147; B25B 13/08; B25B  
13/56; B25B 23/0035; B25B 13/065;  
B25B 13/465; B25B 13/463

See application file for complete search history.

(56) **References Cited**

**U.S. PATENT DOCUMENTS**

D371,298 S *	7/1996	Reddy	.....	D15/140
D380,440 S *	7/1997	Talish	.....	D13/101
D558,543 S *	1/2008	Chen	.....	D8/21
D748,957 S *	2/2016	Hofman	.....	D8/21
D766,055 S *	9/2016	Ford	.....	D8/21
D784,099 S *	4/2017	Mitchell	.....	D8/21
D796,924 S *	9/2017	Albertson	.....	D8/25
D813,626 S *	3/2018	Solar	.....	D8/25
D837,005 S *	1/2019	Klamm	.....	D8/25
D869,921 S *	12/2019	Albertson	.....	D8/25
D890,594 S *	7/2020	Gao	.....	D8/312
2015/0223395 A1 *	8/2015	Pellenc	.....	A01D 34/4163 30/276

(Continued)

**FOREIGN PATENT DOCUMENTS**

CN	6014382	*	6/2017
JP	D1063991	*	6/1993
KR	300748337.0000	*	2/2014

**OTHER PUBLICATIONS**

POWERTEC Store, Thru Knob, Date first available Sep. 17, 2018, [online]retrieved Jun. 15, 2021,available from <https://www.amazon.com/POWERTEC-71075-4-20-Ratchet-Lever/dp/B07HDYVHSC?th=1> (Year: 2018).\*

*Primary Examiner* — Keli L Hill

*Assistant Examiner* — Sara S Sahneh

(74) *Attorney, Agent, or Firm* — Pai Patent & Trademark Law Firm; Chao-Chang David Pai

(57) **CLAIM**

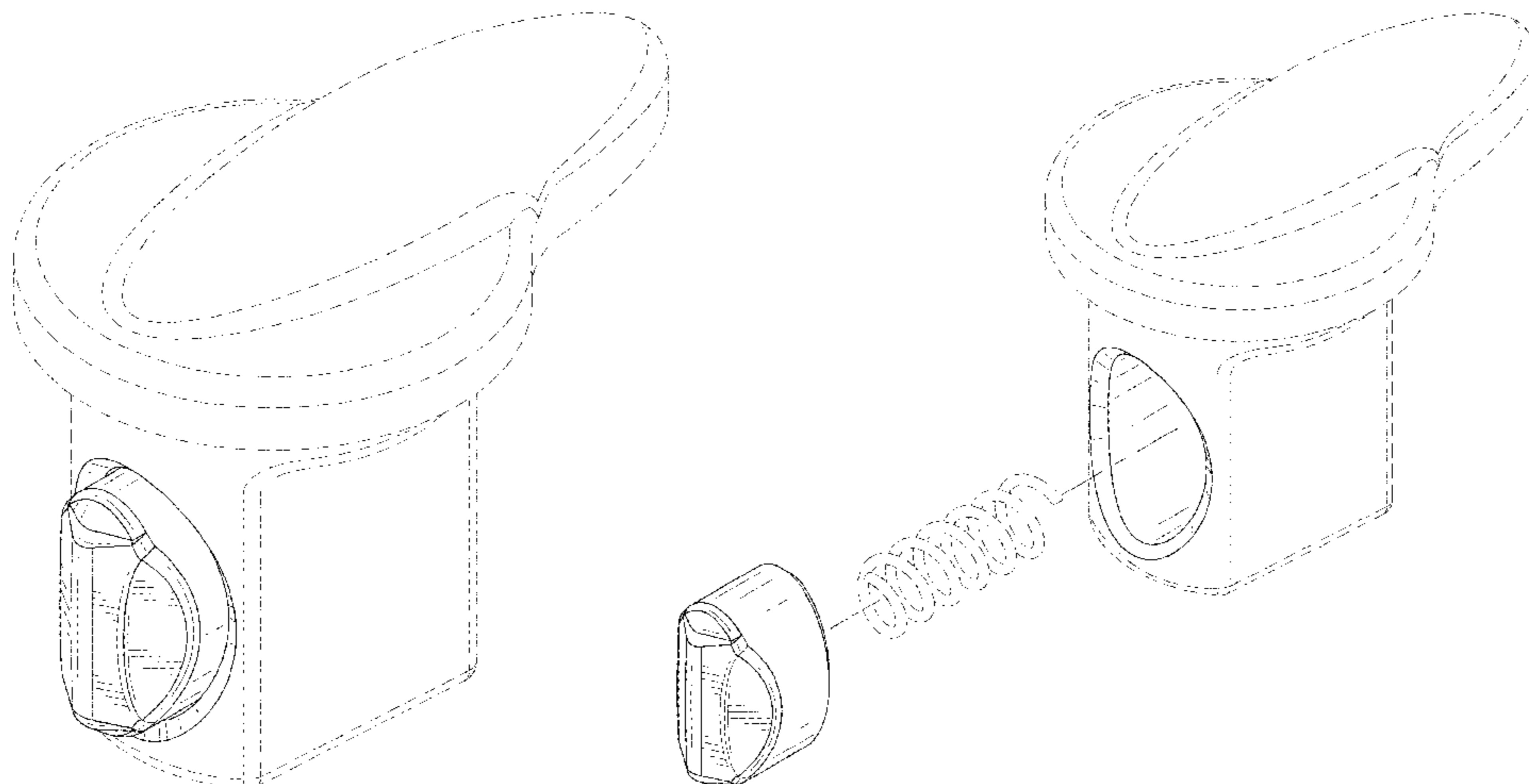
The ornamental design for a reversing lever for ratchet wrench, as shown and described.

**DESCRIPTION**

FIG. 1 is a front top perspective view of a reversing lever for ratchet wrench showing my new design; FIG. 2 is a front elevational view thereof; FIG. 3 is a rear elevational view thereof; FIG. 4 is a left side elevational view thereof; FIG. 5 is a right side elevational view thereof; FIG. 6 is a top plan view thereof; FIG. 7 is a bottom plan view thereof; FIG. 8 is an exploded perspective view thereof; FIG. 9 is another exploded perspective view thereof; and, FIG. 10 is a cross-sectional view taken along line 10-10 of FIG. 2 thereof.

The broken lines illustrate portions of the reversing lever for ratchet wrench and form no part of the claimed design.

**1 Claim, 10 Drawing Sheets**



(56)

**References Cited**

U.S. PATENT DOCUMENTS

2015/0240857 A1\* 8/2015 Simanca ..... B25B 23/141  
411/383

\* cited by examiner

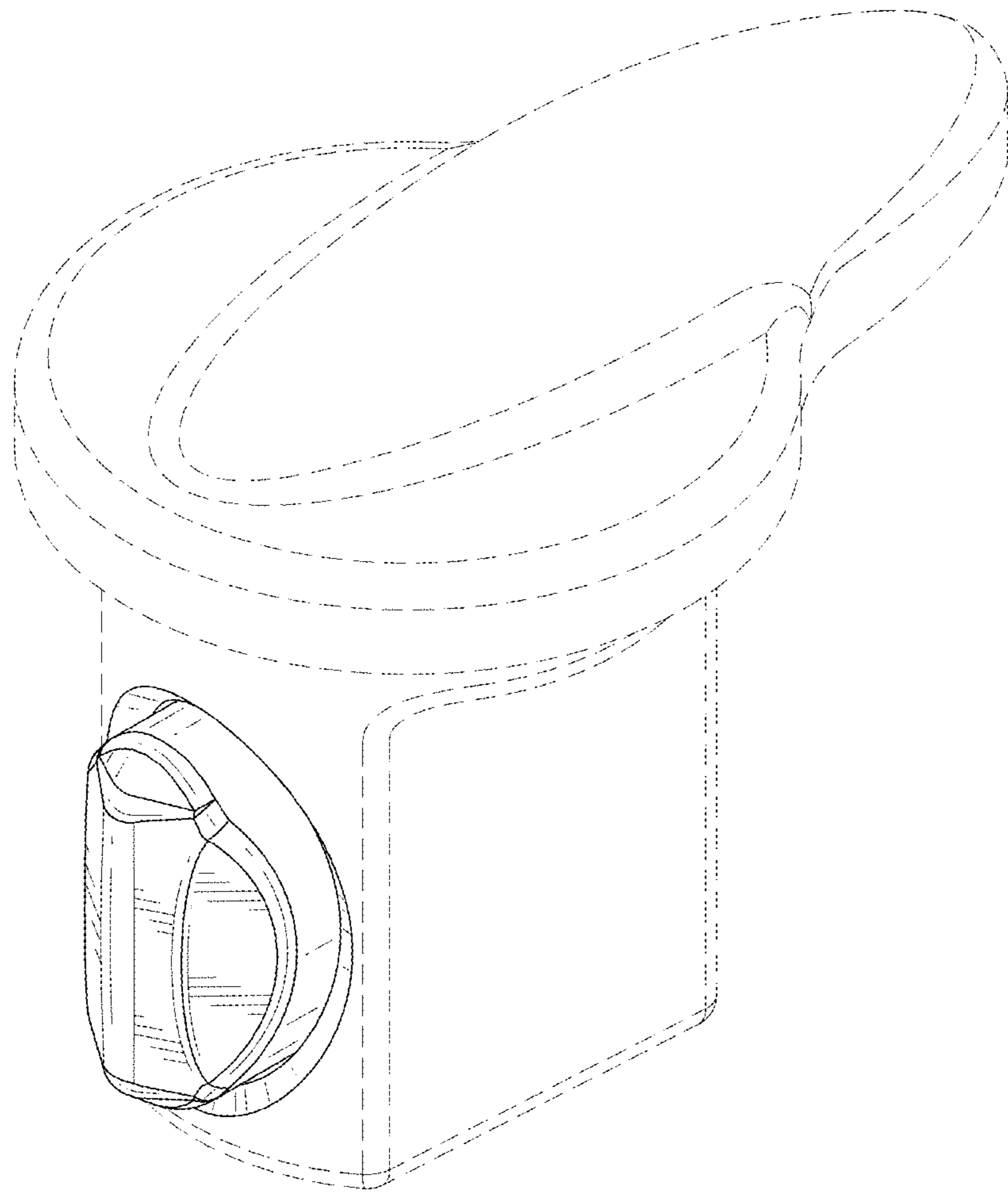


FIG. 1

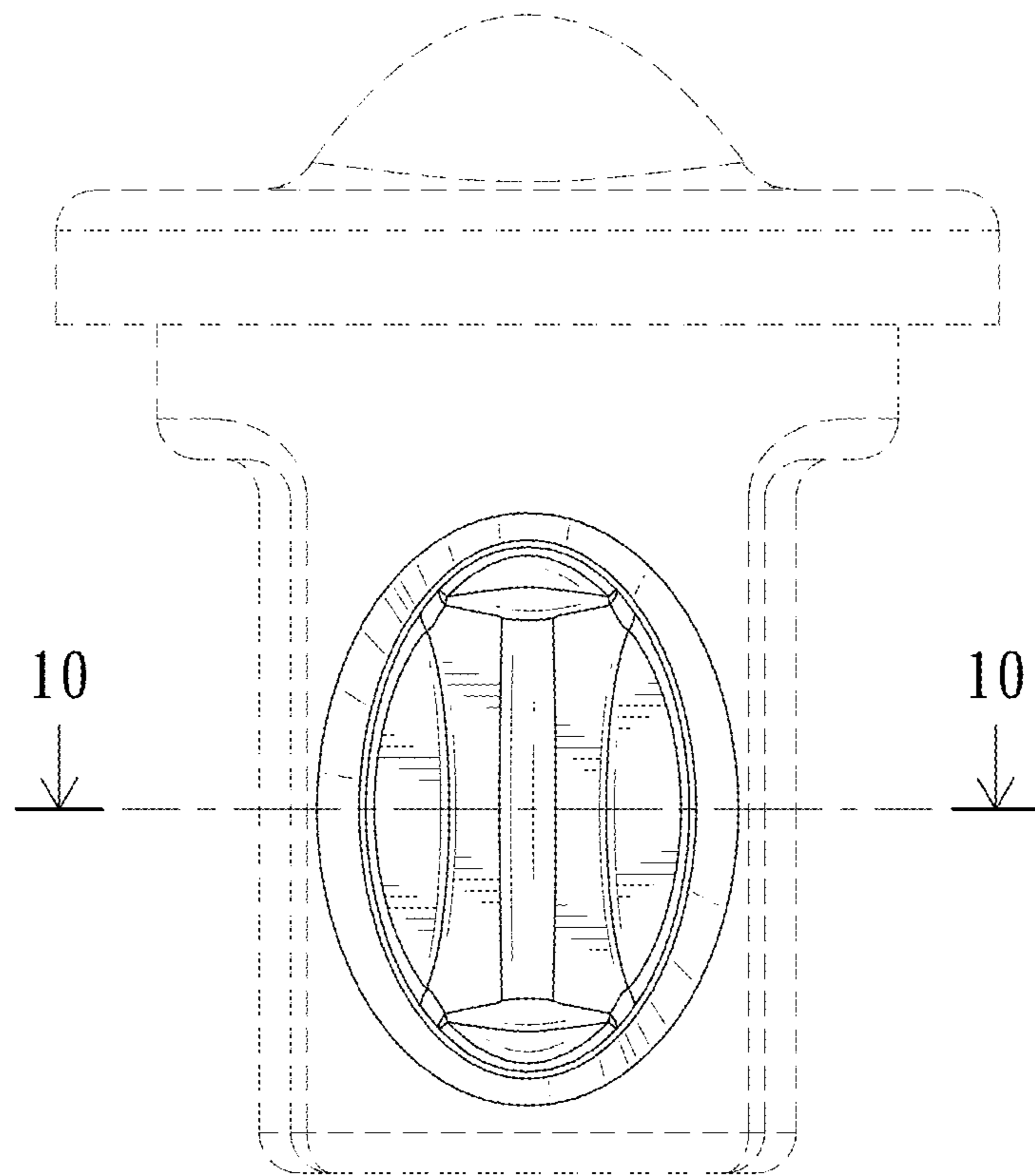


FIG. 2

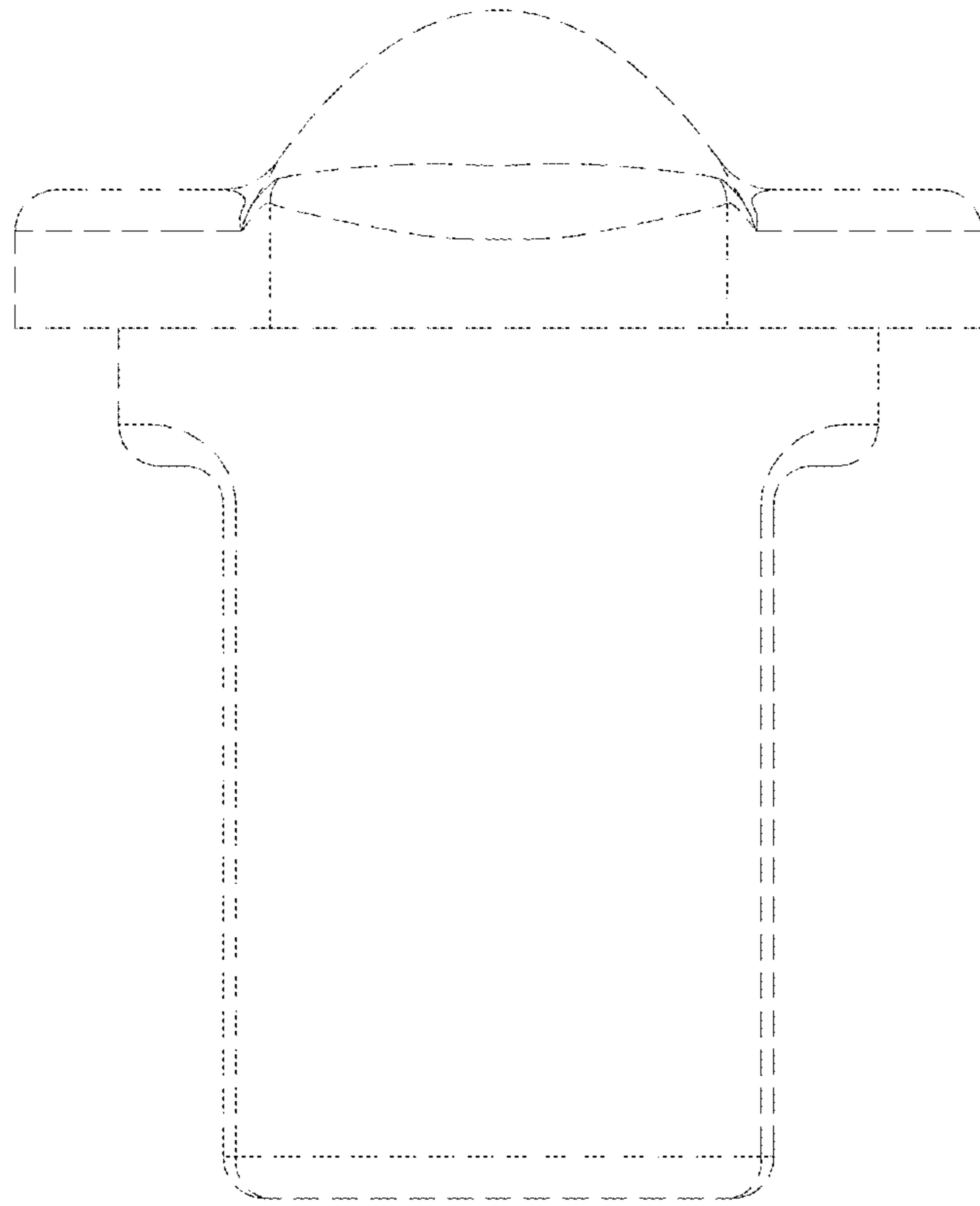


FIG. 3

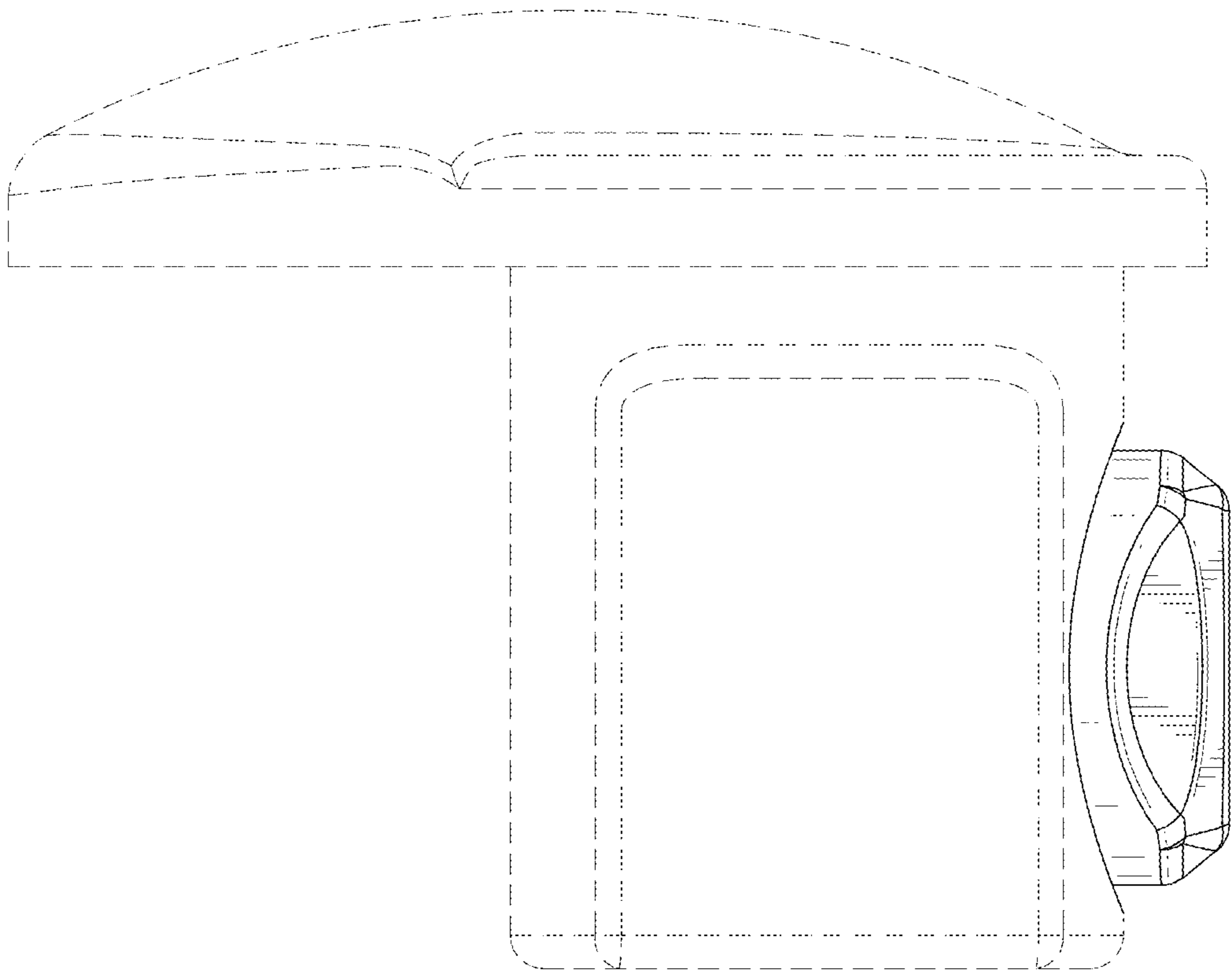


FIG. 4

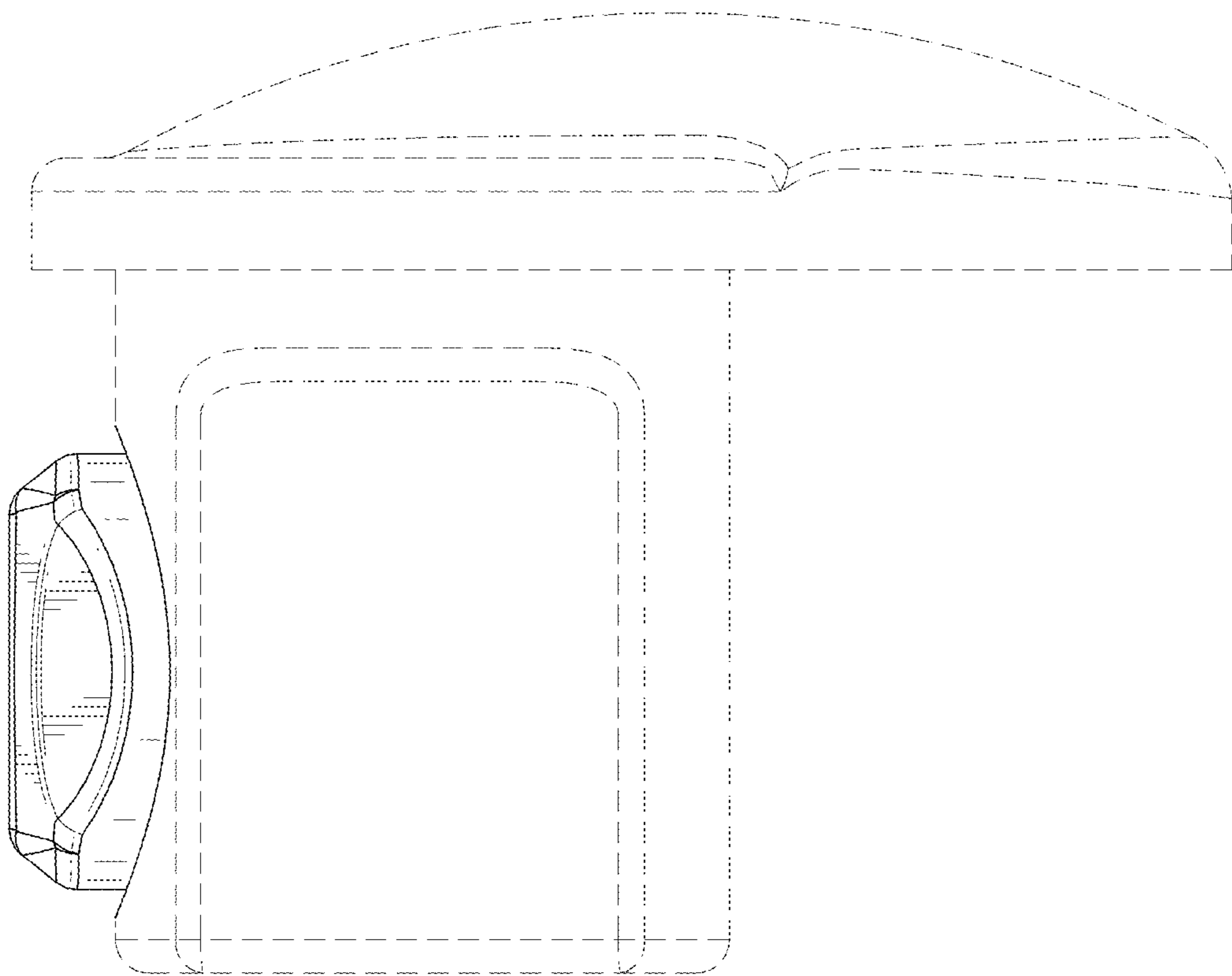


FIG. 5



FIG. 6



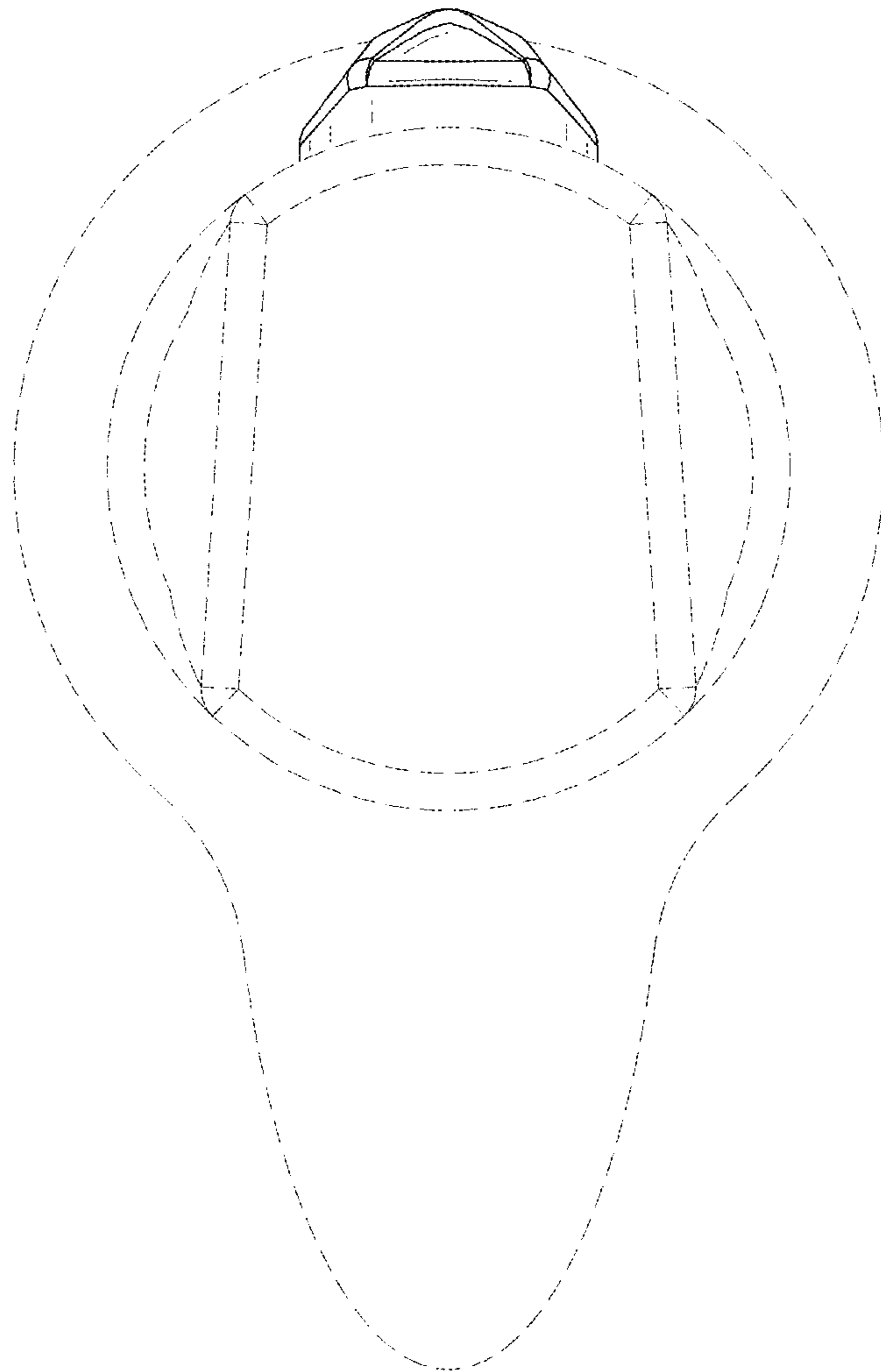


FIG. 7

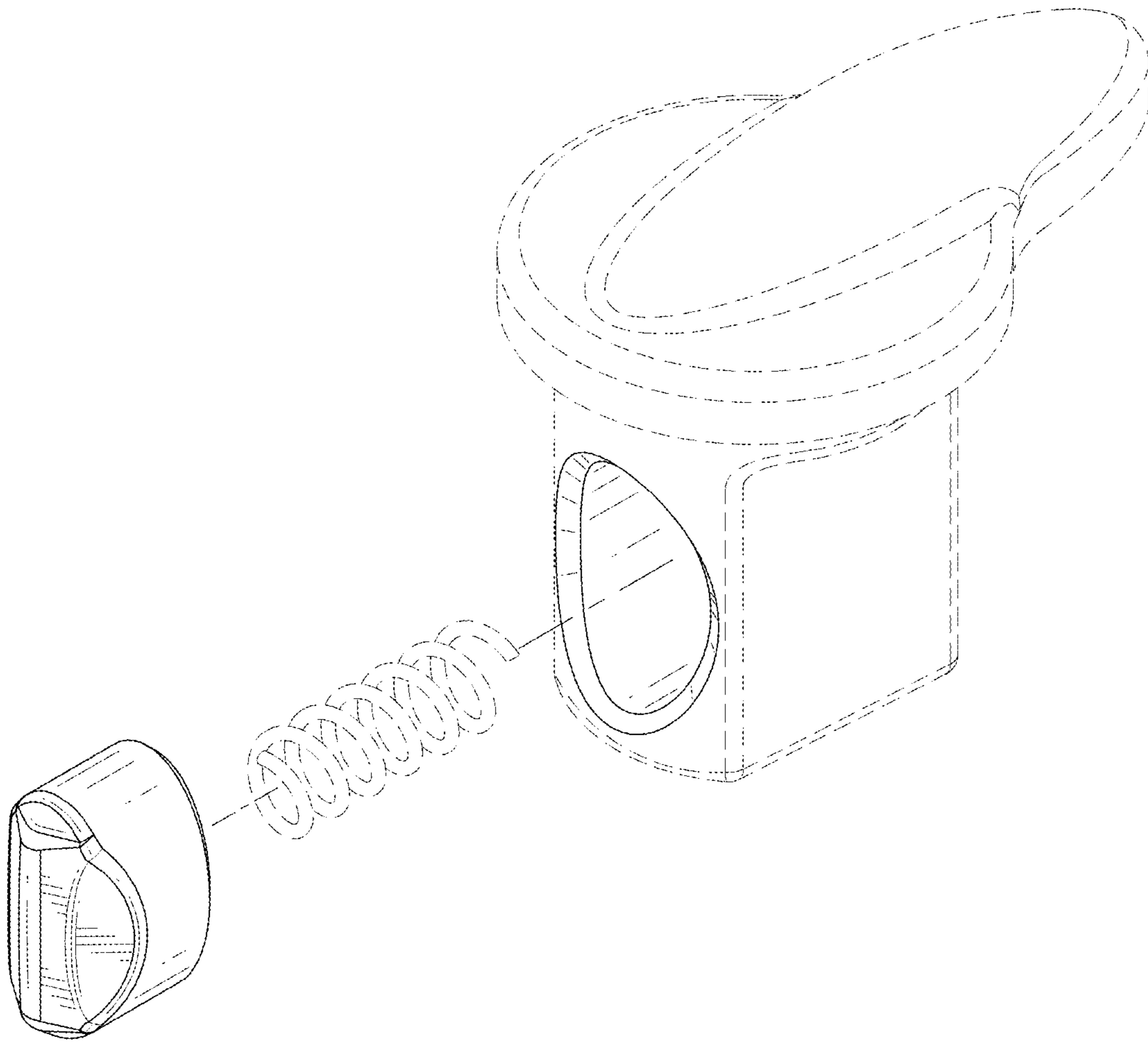


FIG. 8

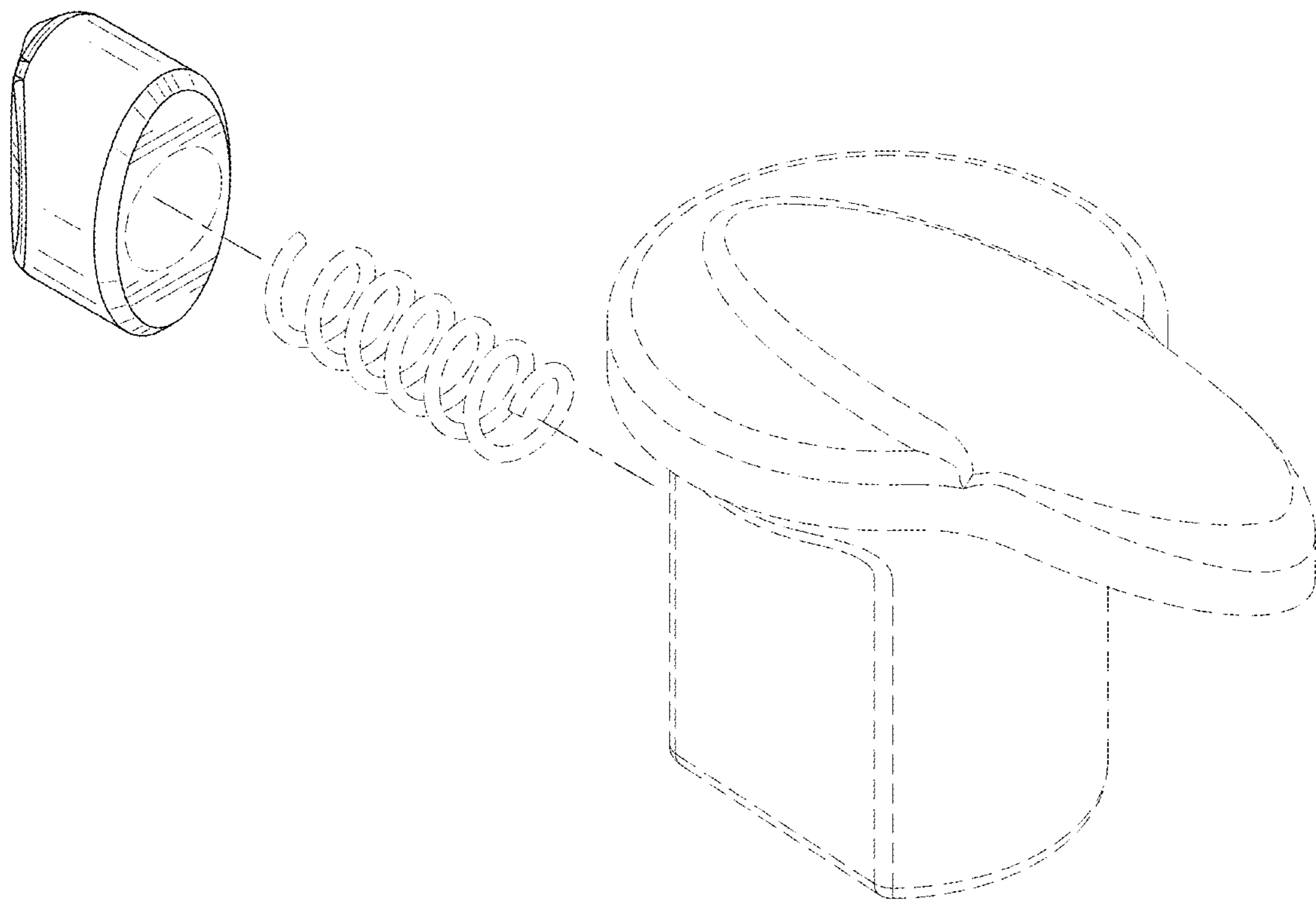


FIG. 9

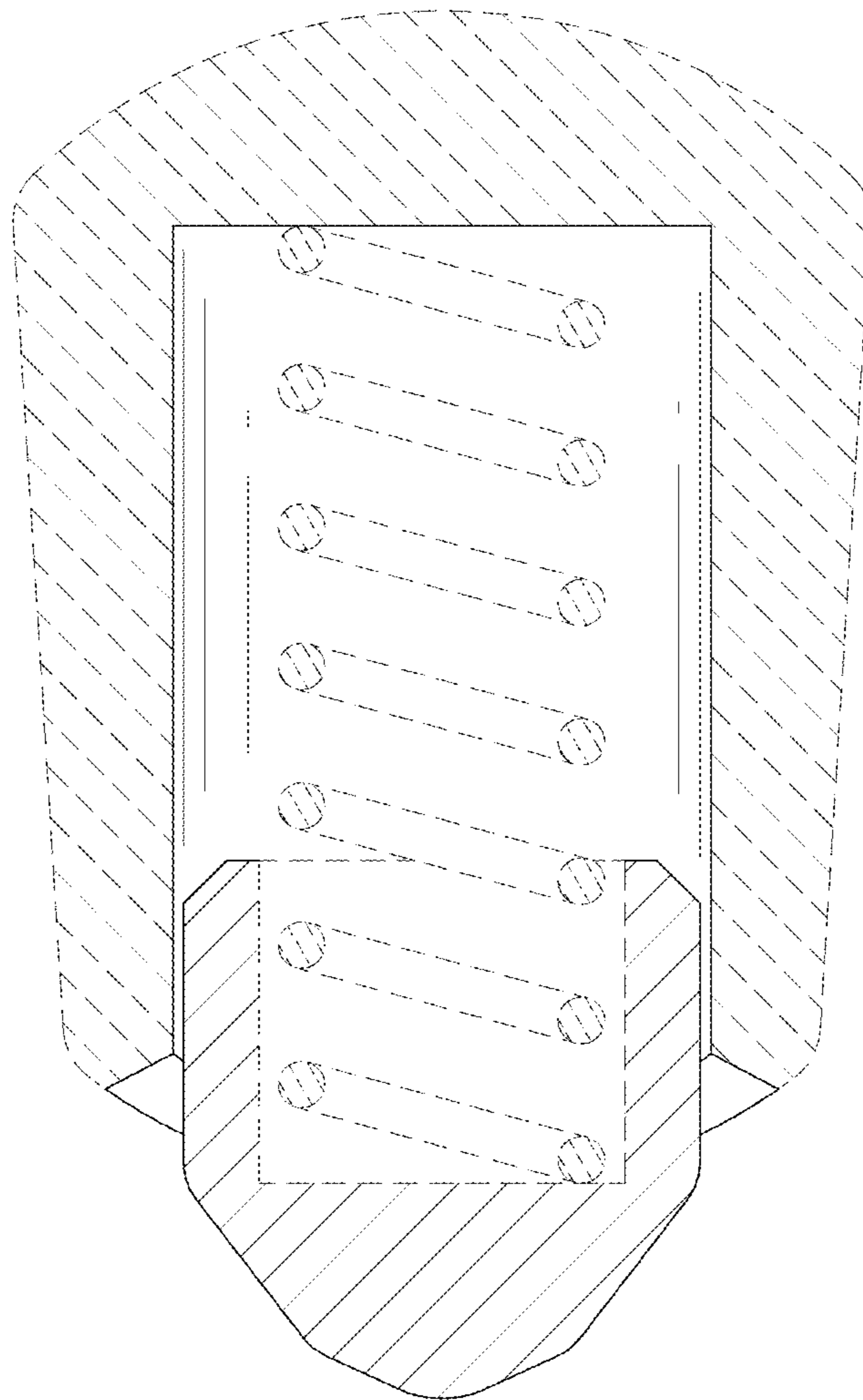


FIG. 10