

US00D944606S

(12) **United States Design Patent** (10) **Patent No.:** **US D944,606 S**  
**Hansen et al.** (45) **Date of Patent:** **\*\* Mar. 1, 2022**

(54) **HERB GRINDER**

(71) Applicant: **SC Shredder IPP, LLC**, Campbell, CA (US)

(72) Inventors: **Matt Hansen**, Watsonville, CA (US);  
**Mark Edwards**, Campbell, CA (US)

(73) Assignee: **SC SHREDDER IPP, LLC**, Campbell, CA (US)

(\*\*) Term: **15 Years**

(21) Appl. No.: **29/749,563**

(22) Filed: **Sep. 7, 2020**

(51) **LOC (13) Cl.** ..... **07-04**

(52) **U.S. Cl.**  
USPC ..... **D7/679; D27/194**

(58) **Field of Classification Search**  
USPC ..... **D7/679, 590-597, 372, 373; D9/500, D9/503, 504; D27/194, 195**

(Continued)

(56) **References Cited**

**U.S. PATENT DOCUMENTS**

8,783,595 B2 \* 7/2014 Delbridge ..... A47J 42/20  
241/169.1

D762,091 S \* 7/2016 Grumbacher ..... D7/679  
(Continued)

**OTHER PUBLICATIONS**

Amazon.com, Grind Matte Herb Grinder, pp. 1-5, ASIN: B087T4HXND, date first available Apr. 28, 2020. (Year: 2020).\*

(Continued)

*Primary Examiner* — Terry A Wallace

(74) *Attorney, Agent, or Firm* — Keith Kline; The Kline Law Firm PC

(57) **CLAIM**

The ornamental design for an herb grinder, as shown and described.

**DESCRIPTION**

FIG. 1 is a top perspective view of the herb grinder, showing the design thereof.

FIG. 2 is a bottom perspective view thereof.

FIG. 3 is a top plan view thereof.

FIG. 4 is a bottom plan view thereof.

FIG. 5 is a side view thereof. Please note that the herb grinder is uniform in appearance when viewed from the front, rear, left, and right sides.

FIG. 6 is an exploded view of the device, showing the pieces of the grinder as a user would see them when he has opened the grinder for use.

FIG. 7 is a top perspective view of a cutting head base of the grinder.

FIG. 8 is a top plan view of the cutting head base.

FIG. 9 is a bottom plan view of the cutting head base.

FIG. 10 is a side view of the cutting head base.

FIG. 11 is a perspective view of a top element.

FIG. 12 is bottom perspective view of the cutting head base.

FIG. 13 is a top view of the top element.

FIG. 14 is a bottom view of the cutting head base assembled with the top element.

FIG. 15 is a side view of the cutting head base assembled with the top element. Please note that this assembly is uniform in appearance when viewed from the front, rear, left, and right sides.

FIG. 16 is a top perspective view of a screen element.

FIG. 17 is a top view of a screen element.

FIG. 18 is a bottom view of a screen element.

FIG. 19 is a front view of a base lid.

FIG. 20 is a rear view of a base lid. FIG. 21 is a right side view of a base lid. FIG. 22 is a left side view of a base lid.

FIG. 23 is a top perspective view of a top cap of the grinder.

FIG. 24 is a bottom view of the top cap.

FIG. 25 is a top view of the top cap.

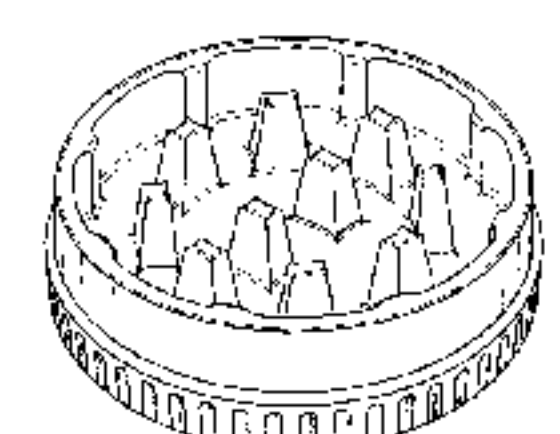
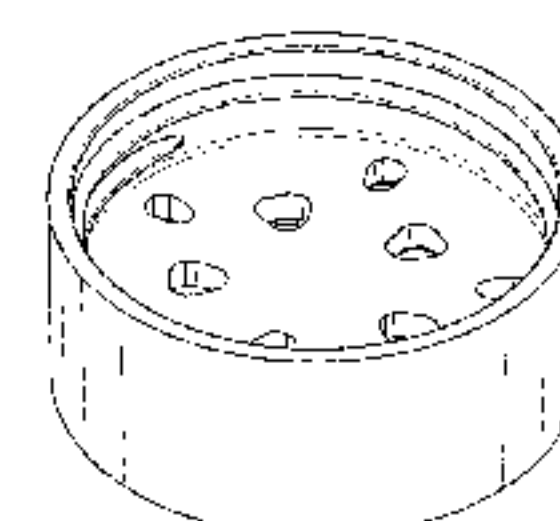
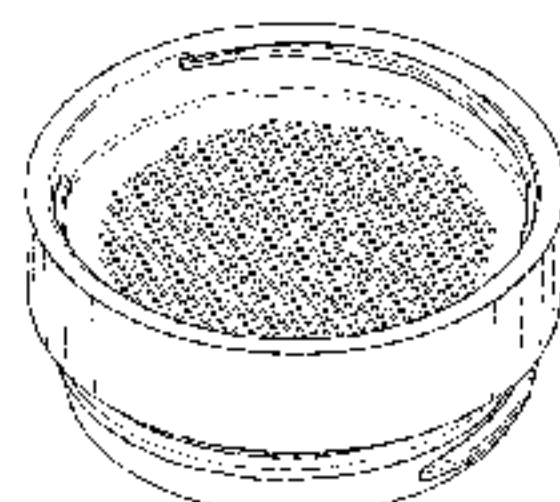
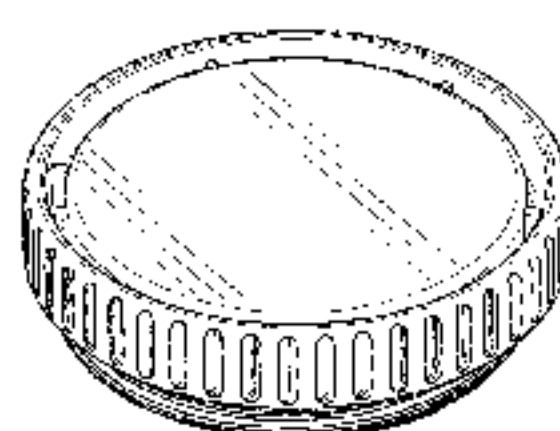
FIG. 26 is a front view of the top cap.

FIG. 27 is a rear view of the top cap.

FIG. 28 is a left side view of the top cap; and,

FIG. 29 is a right side view of the top cap.

**1 Claim, 9 Drawing Sheets**



(58) **Field of Classification Search**

CPC ..... B02C 18/24; B02C 18/08; B02C 18/16;  
B02C 18/00; B02C 7/00; B02C 7/02;  
B02C 7/04; A47J 42/00; A47J 42/04;  
A47J 42/14; A47J 42/24; A47J 42/34;  
A47J 42/36; A47J 43/25; A47J 43/255;  
A47J 43/04; A47J 43/06; B26B 27/00;  
A24B 7/00; A24F 23/04

See application file for complete search history.

(56) **References Cited**

U.S. PATENT DOCUMENTS

D804,093 S \* 11/2017 Chen ..... D27/195  
10,039,418 B2 \* 8/2018 Staiano ..... B02C 23/10  
2012/0168544 A1 \* 7/2012 Chaoui ..... A47J 42/24  
241/68  
2018/0303289 A1 \* 10/2018 Varga ..... A47J 42/26  
2019/0000140 A1 \* 1/2019 Manning ..... A24F 19/10

OTHER PUBLICATIONS

Amazon.com, Higher Standards X Aerospace 4 Piece Metal Herb  
Grinder, pp. 1-9, ASIN: B06VTBVV4J, date first available Feb. 10,  
2017. (Year: 2017).\*

Amazon.com, KINGTOP Grinder Large 3.0 inch, pp. 1-10, ASIN:  
B08CMZVTZ8, date first available Jul. 1, 2019. (Year: 2019).\*

\* cited by examiner

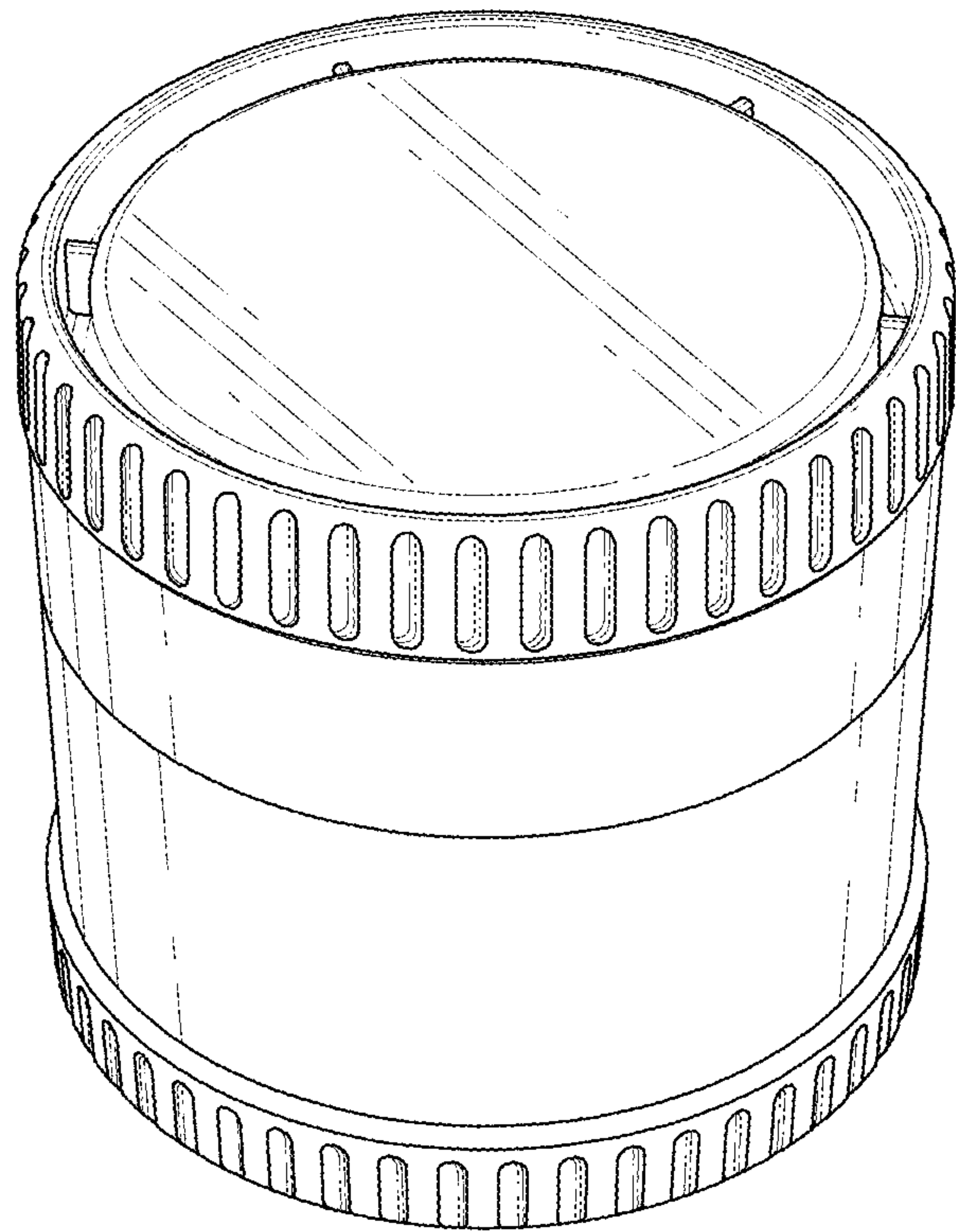


FIG. 1

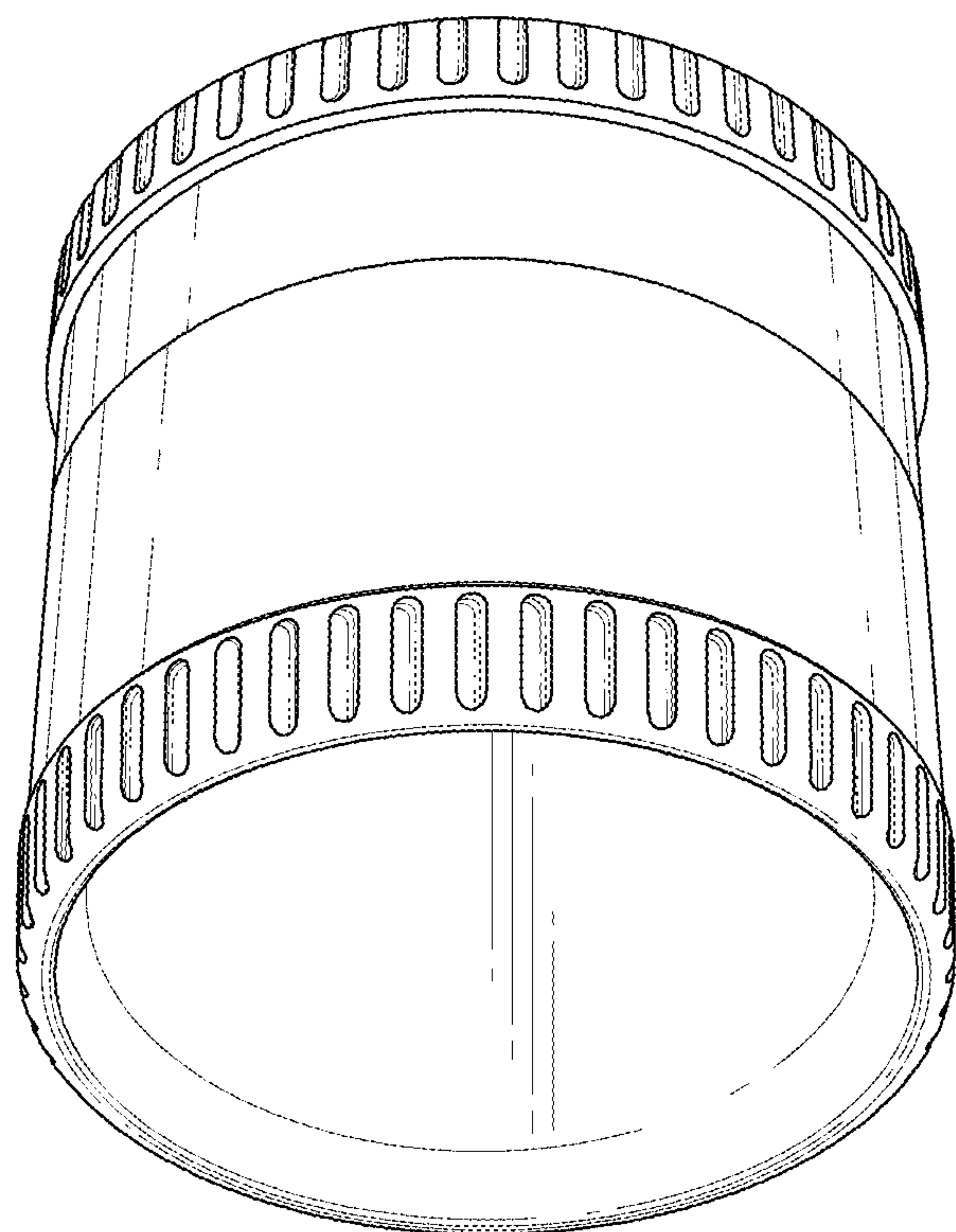


FIG. 2

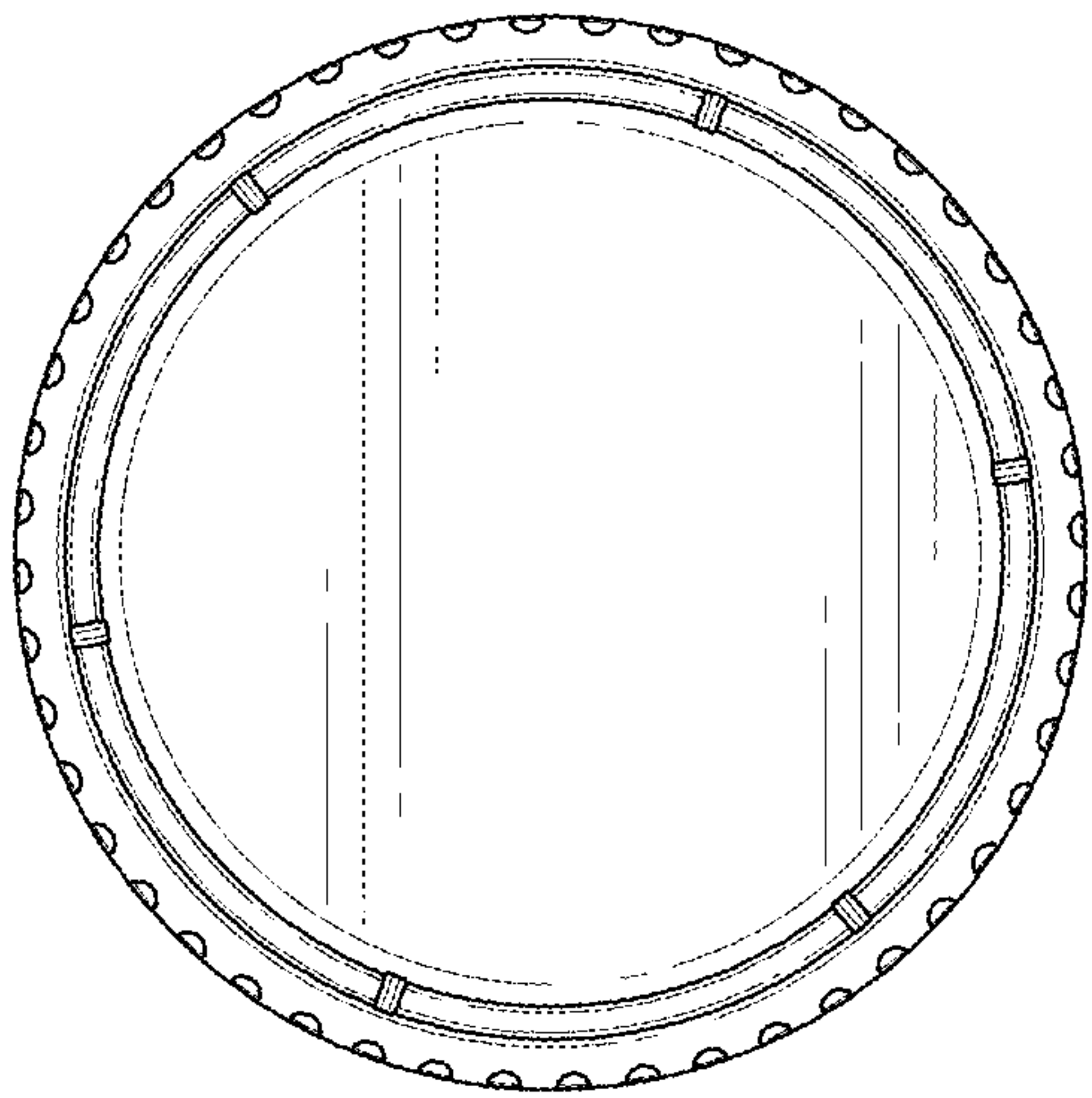


FIG. 3

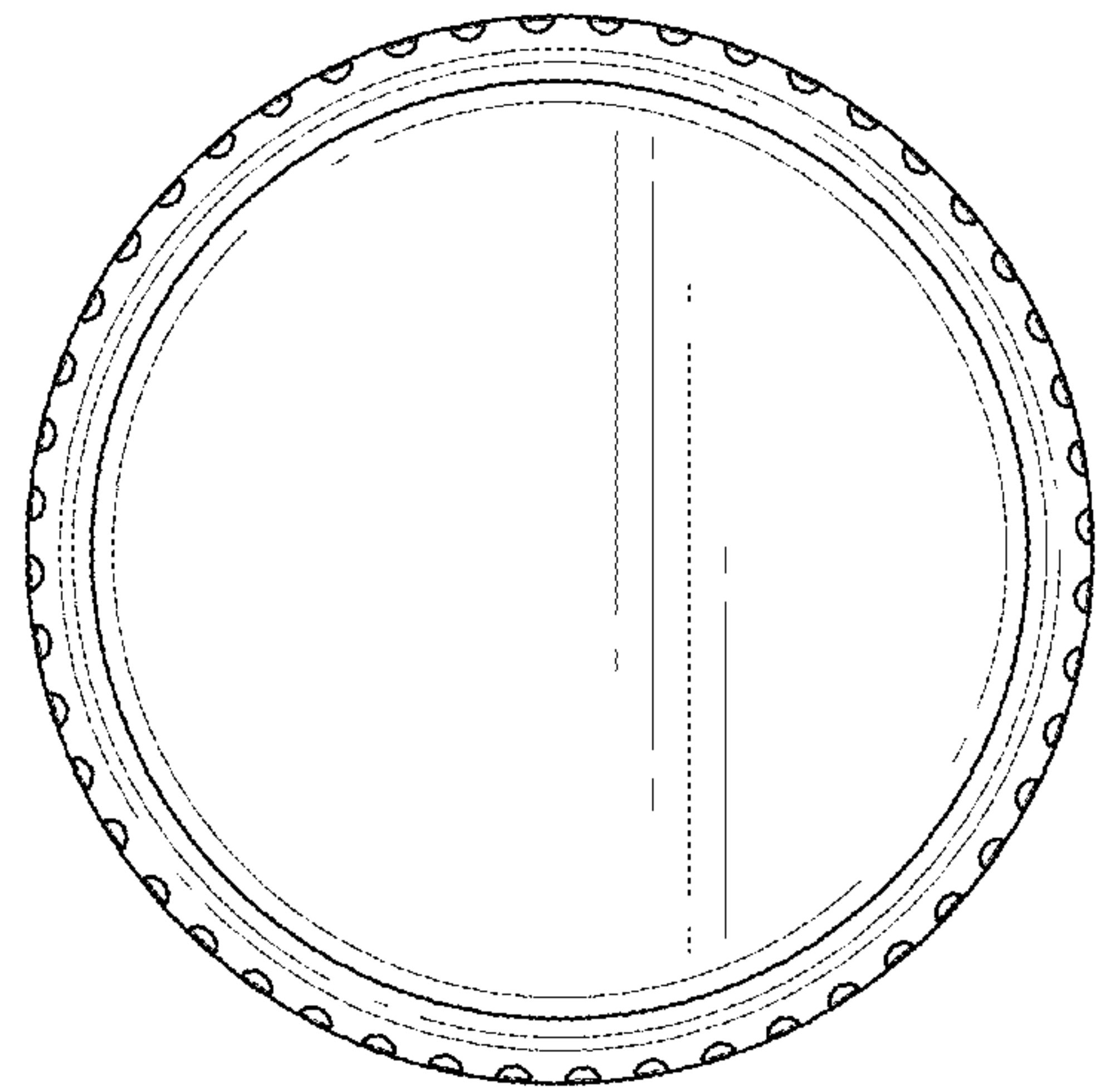


FIG. 4

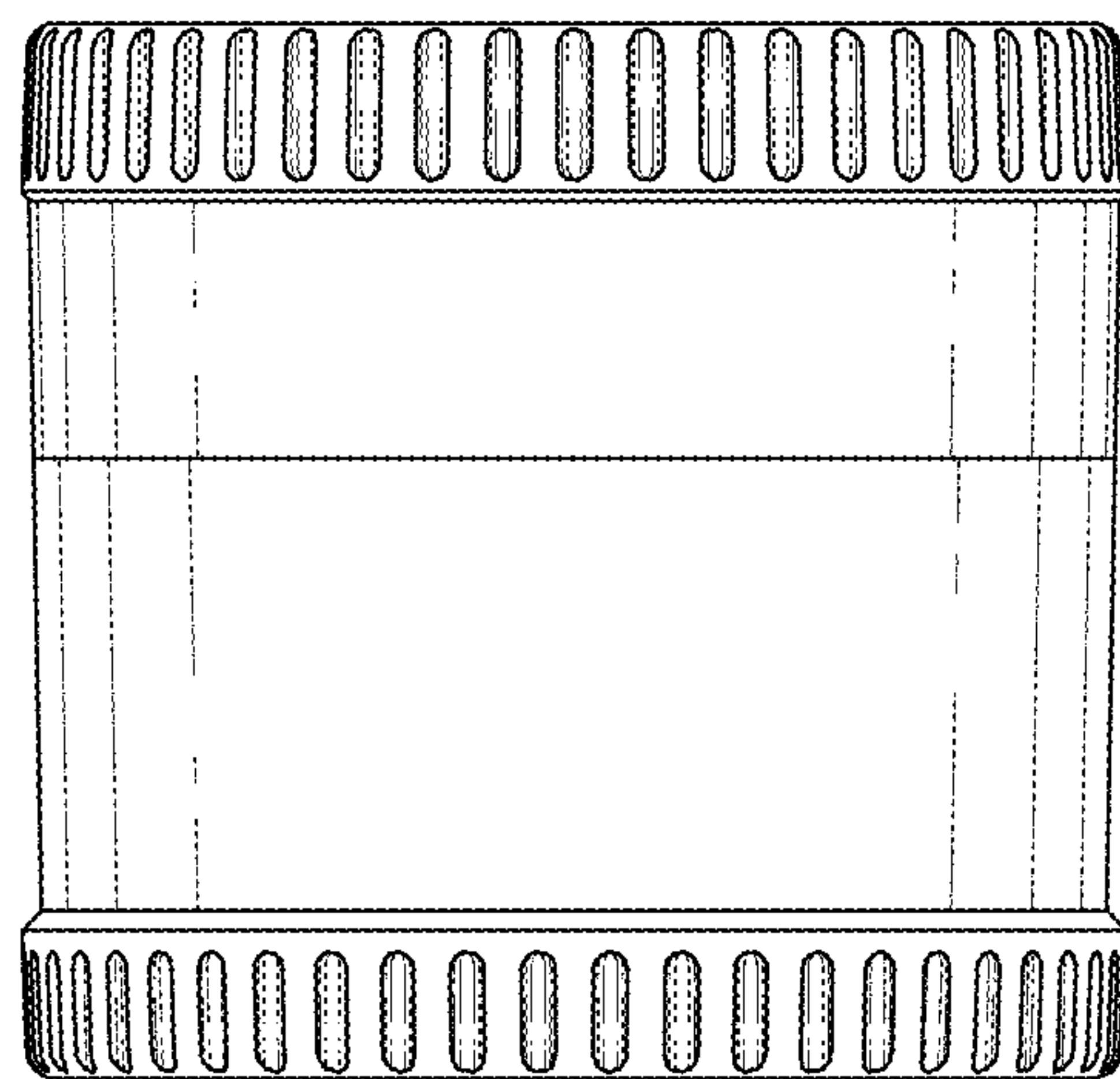


FIG. 5



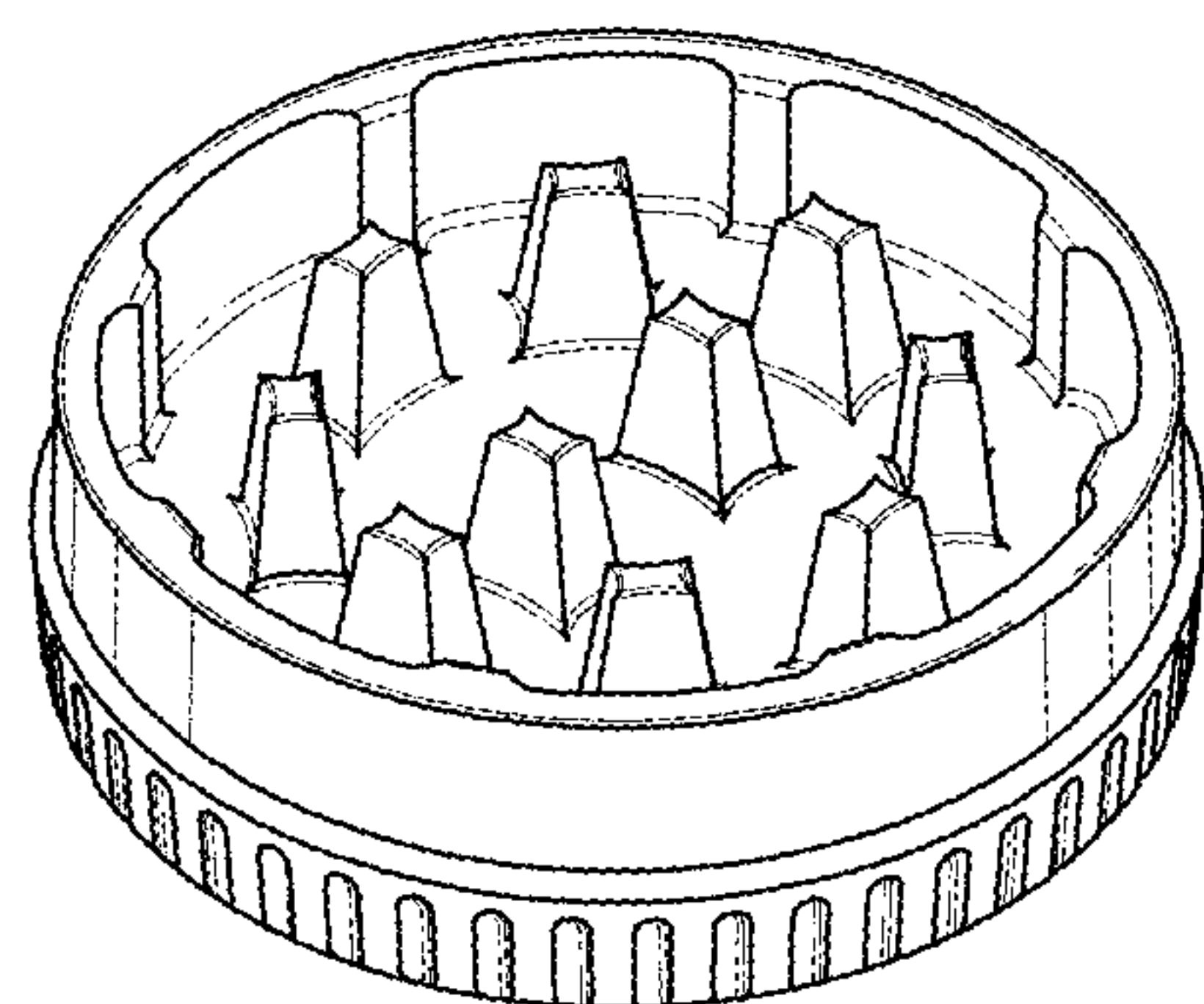
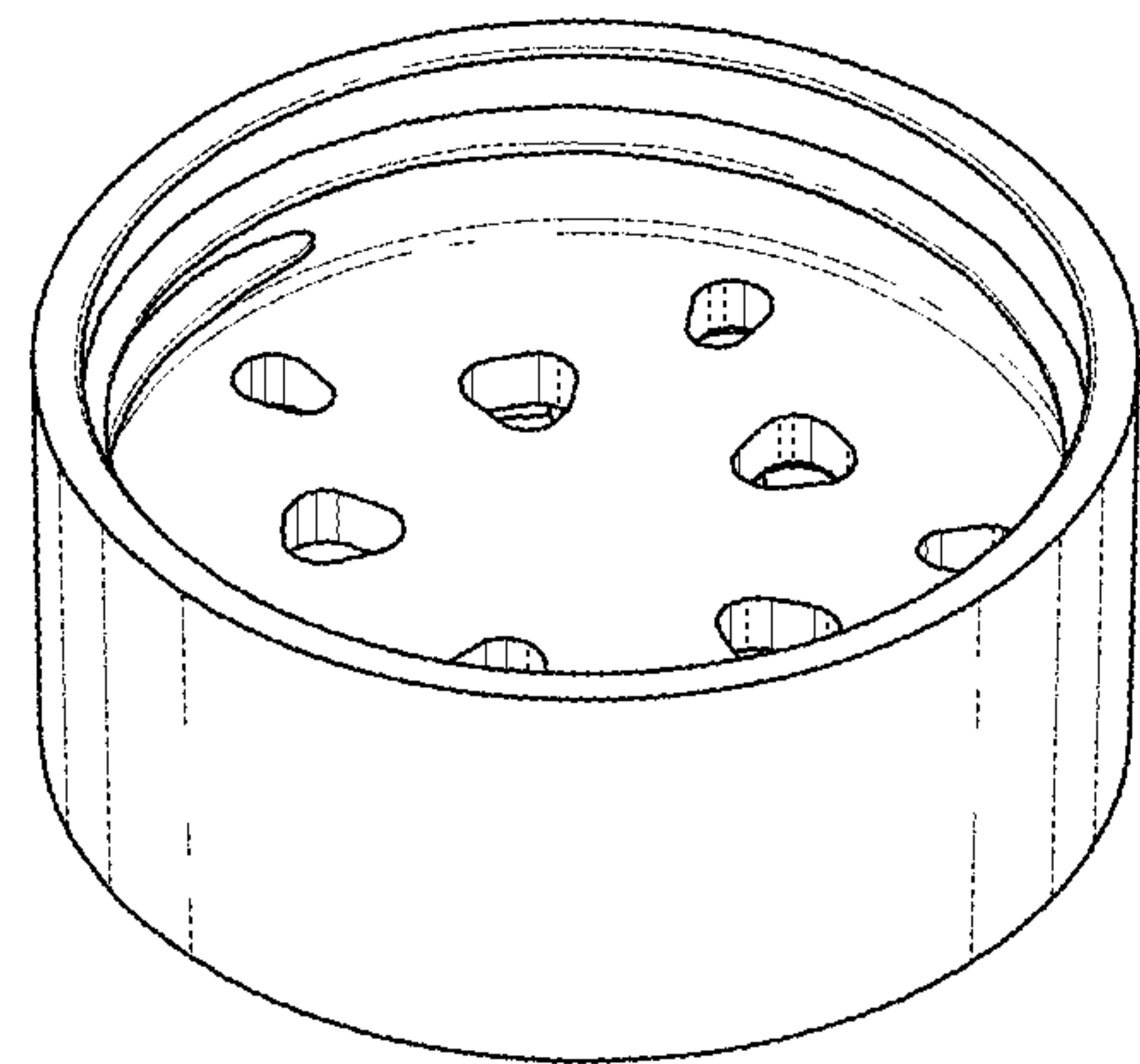
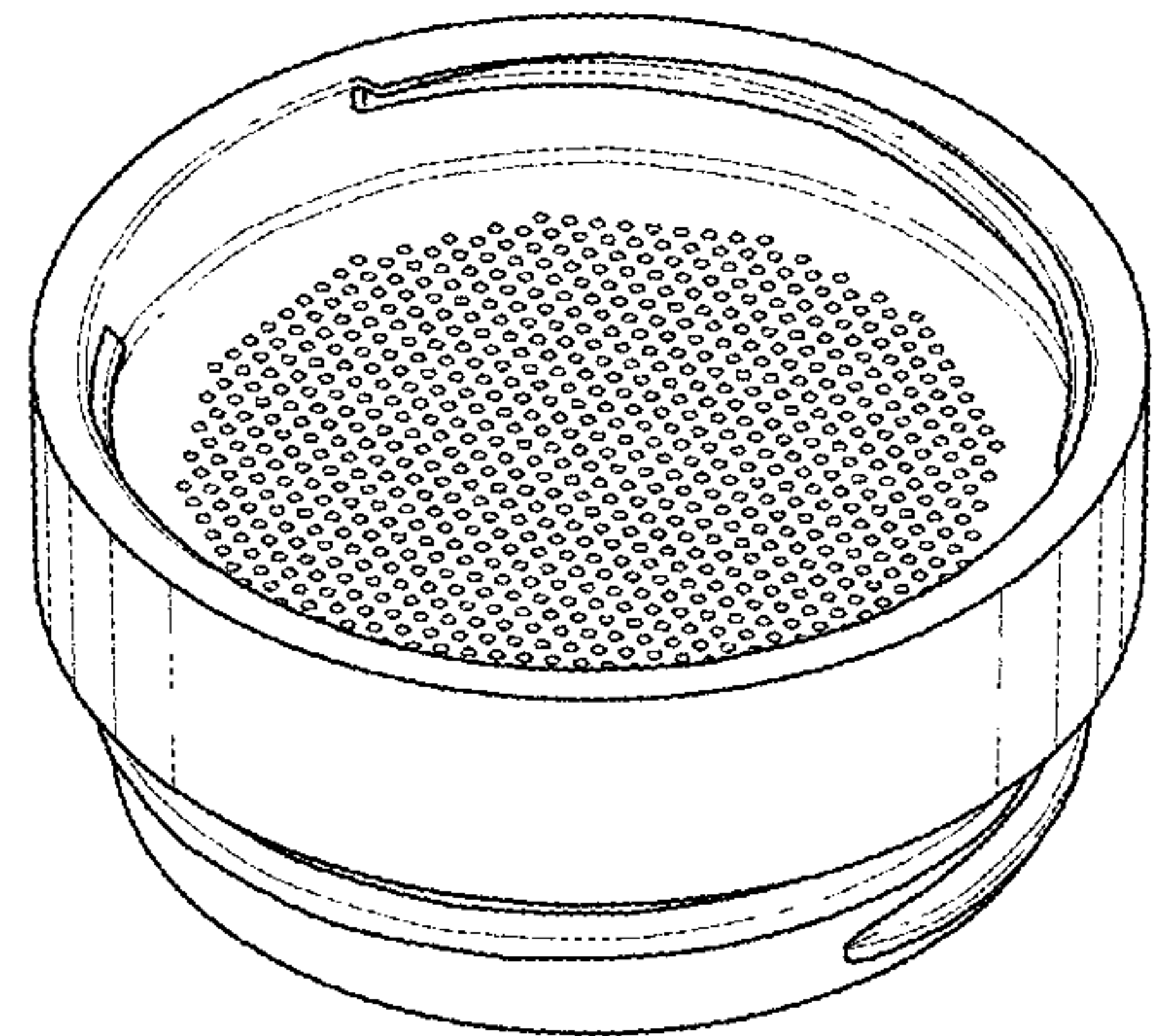
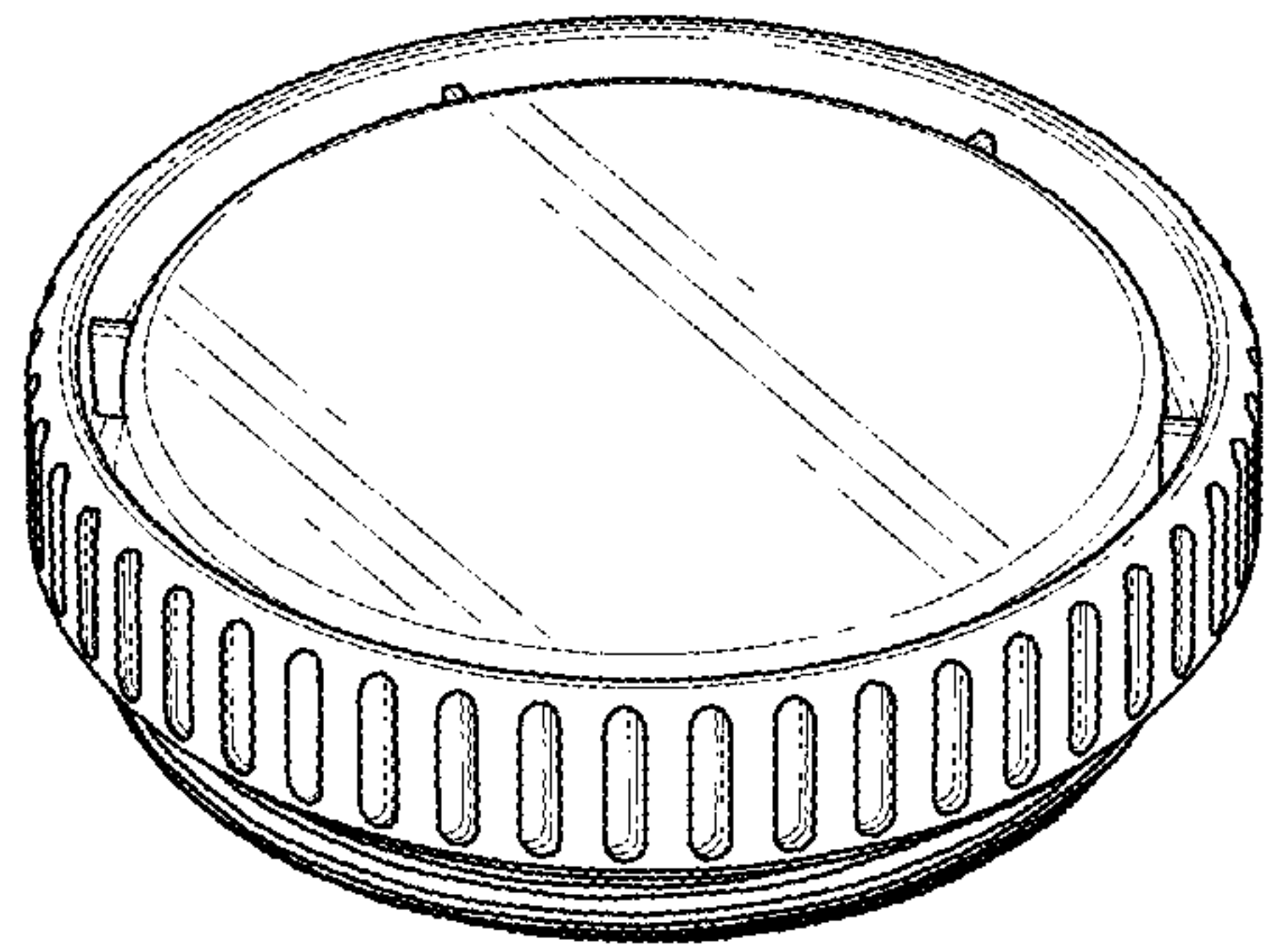


FIG. 6

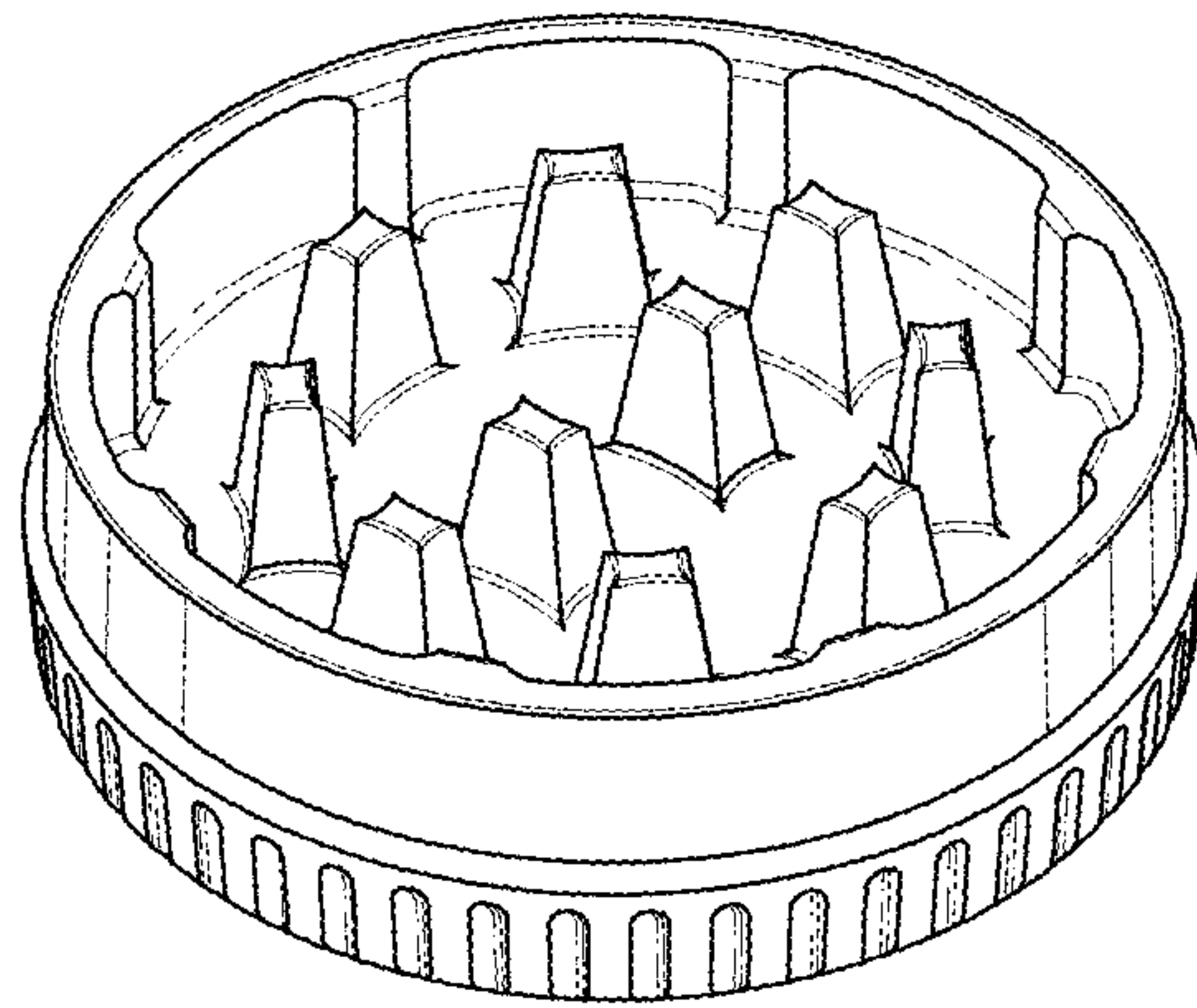


FIG. 7

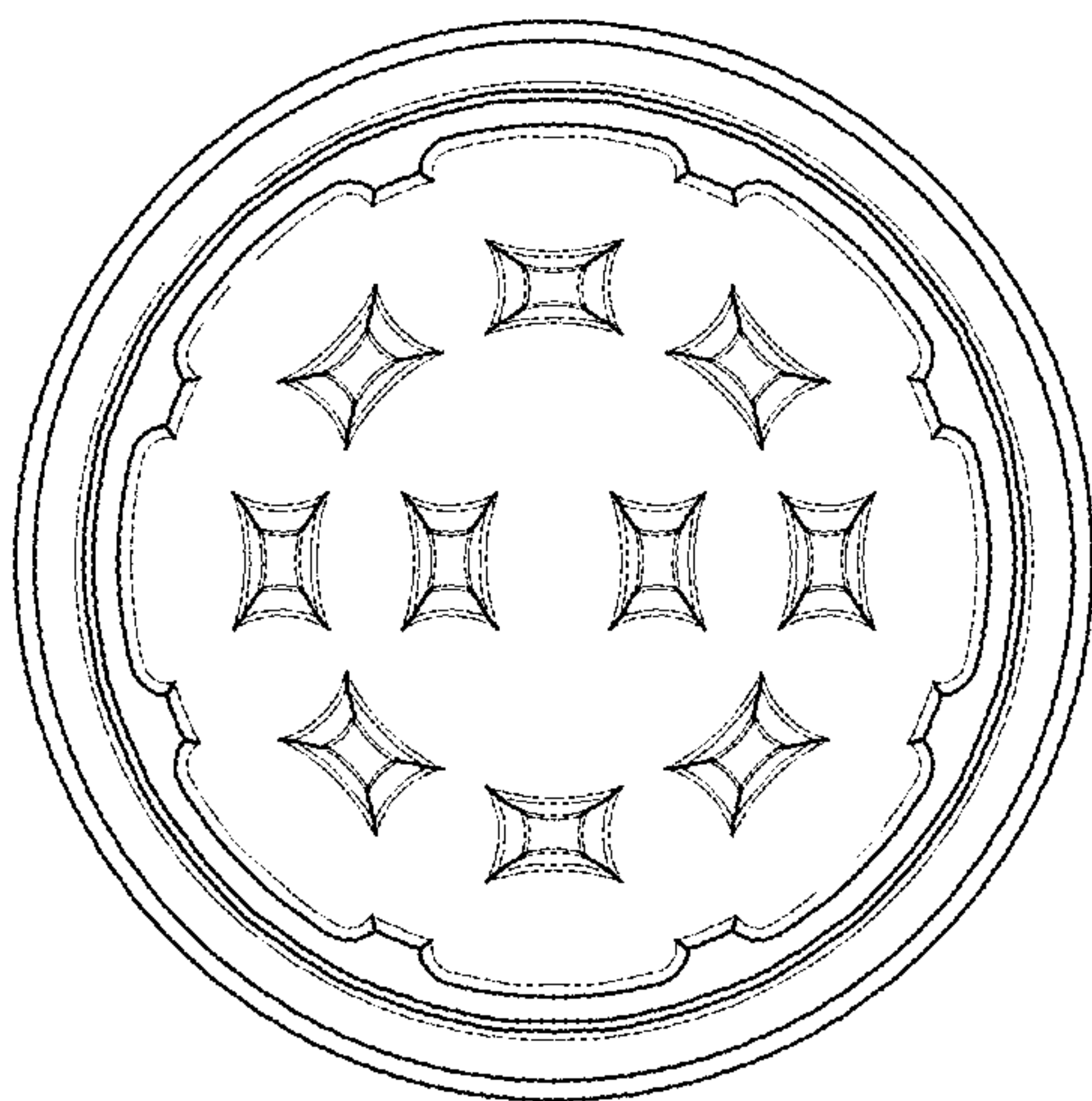


FIG. 8

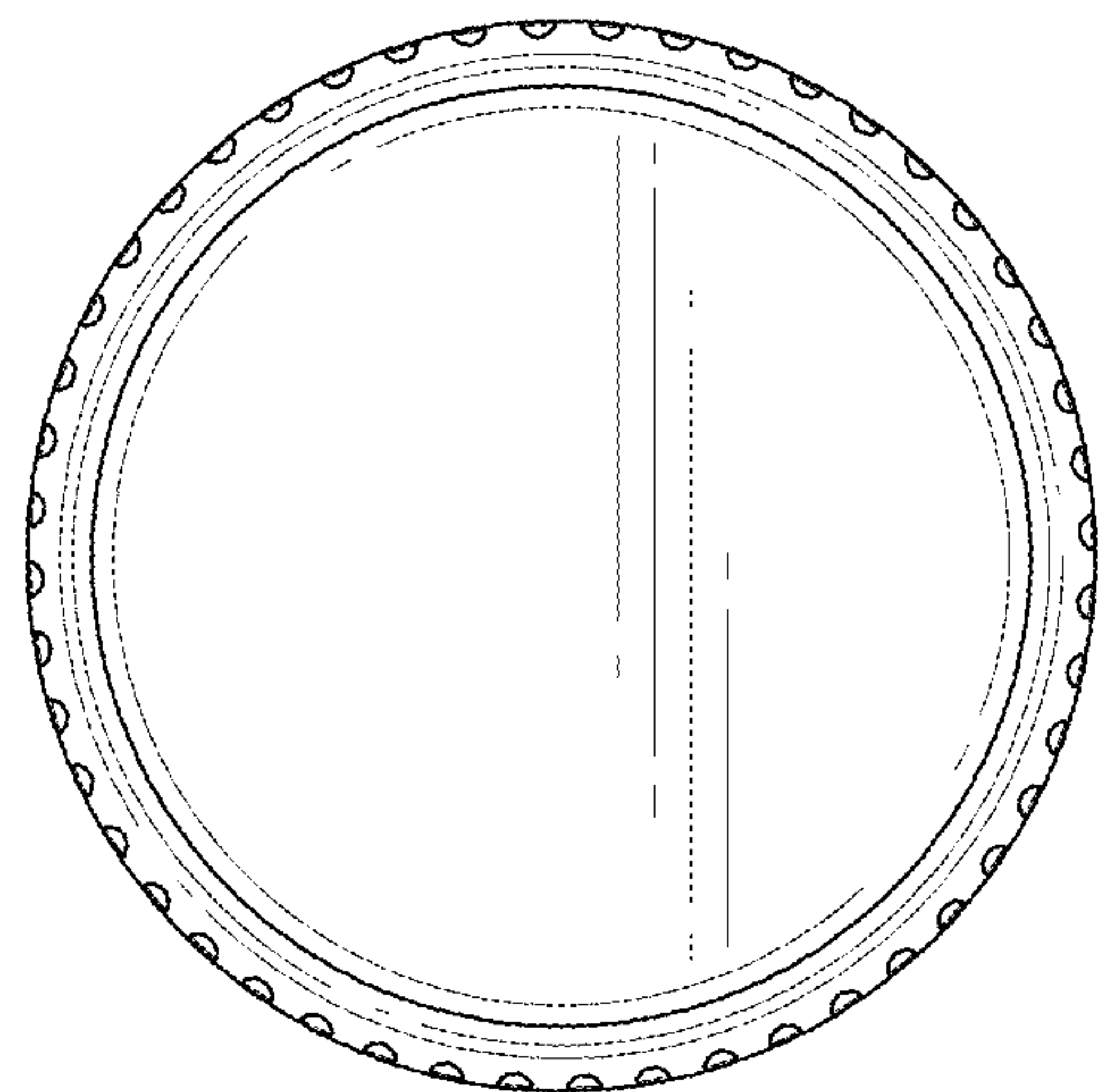


FIG. 9

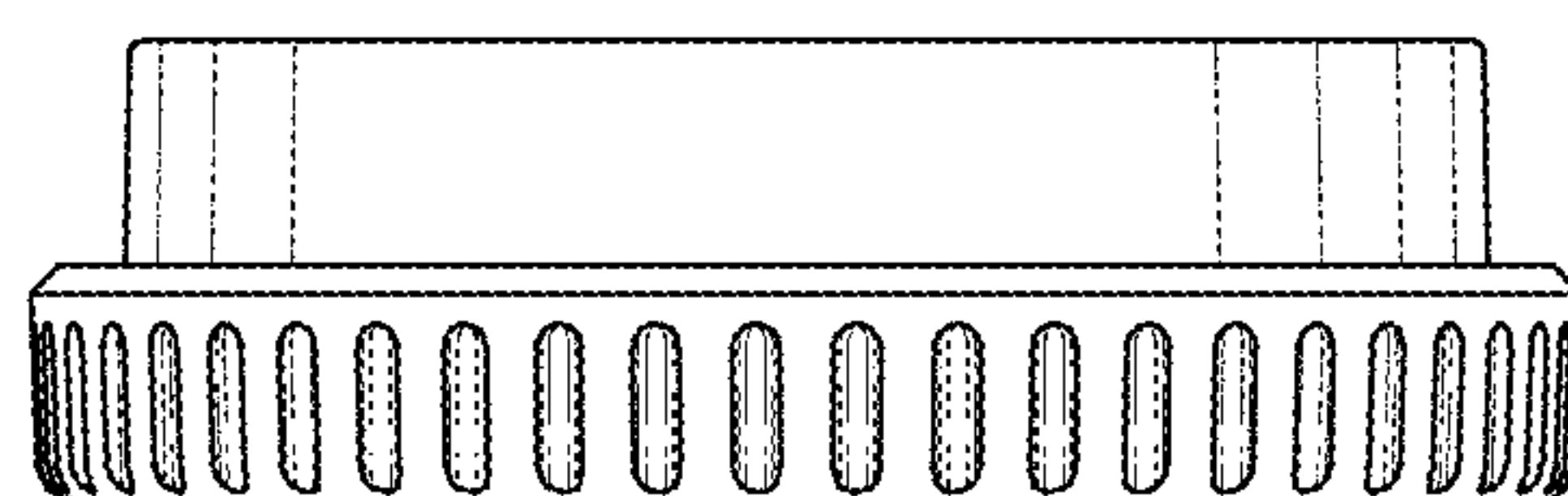


FIG. 10

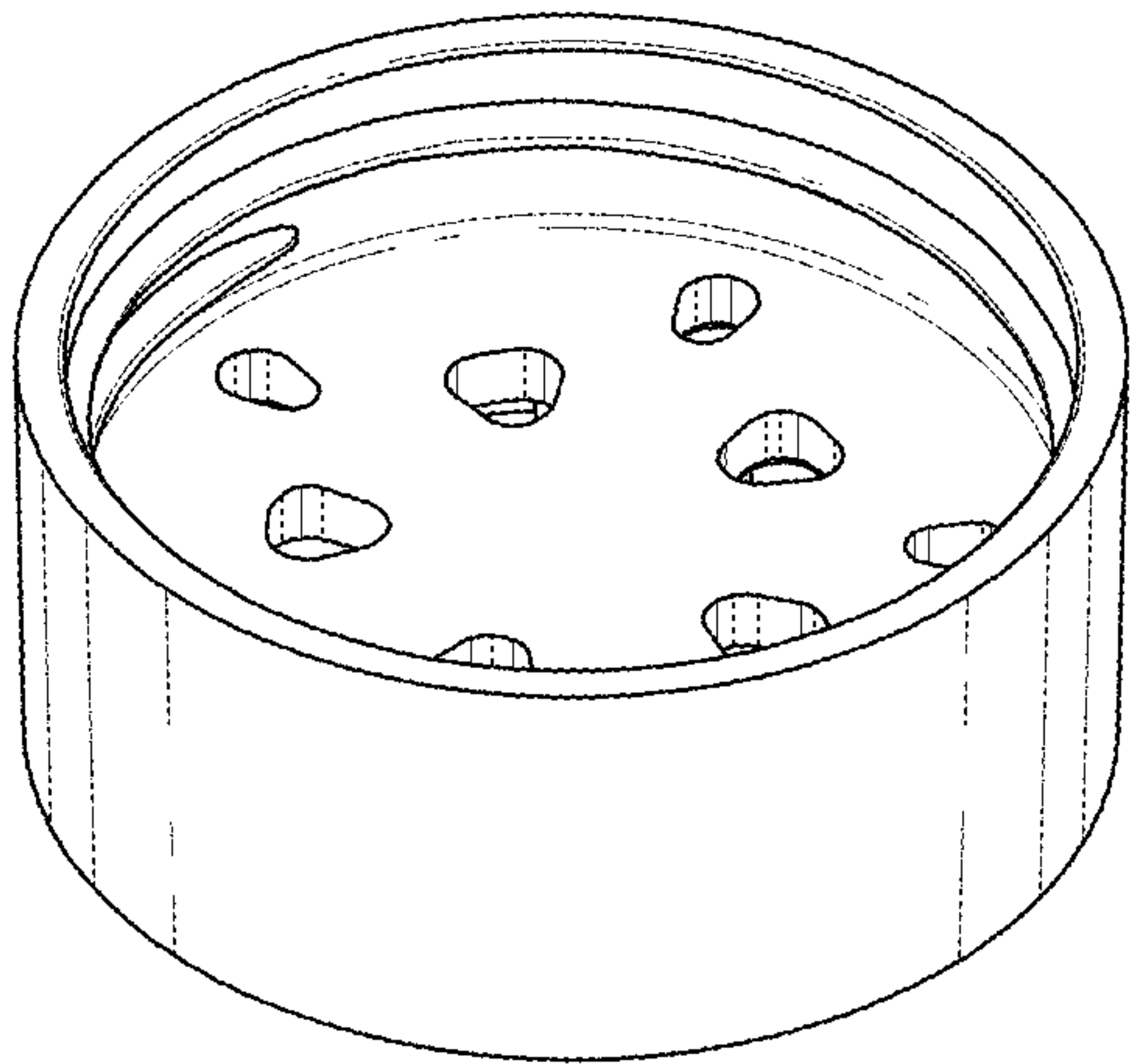


FIG. 11

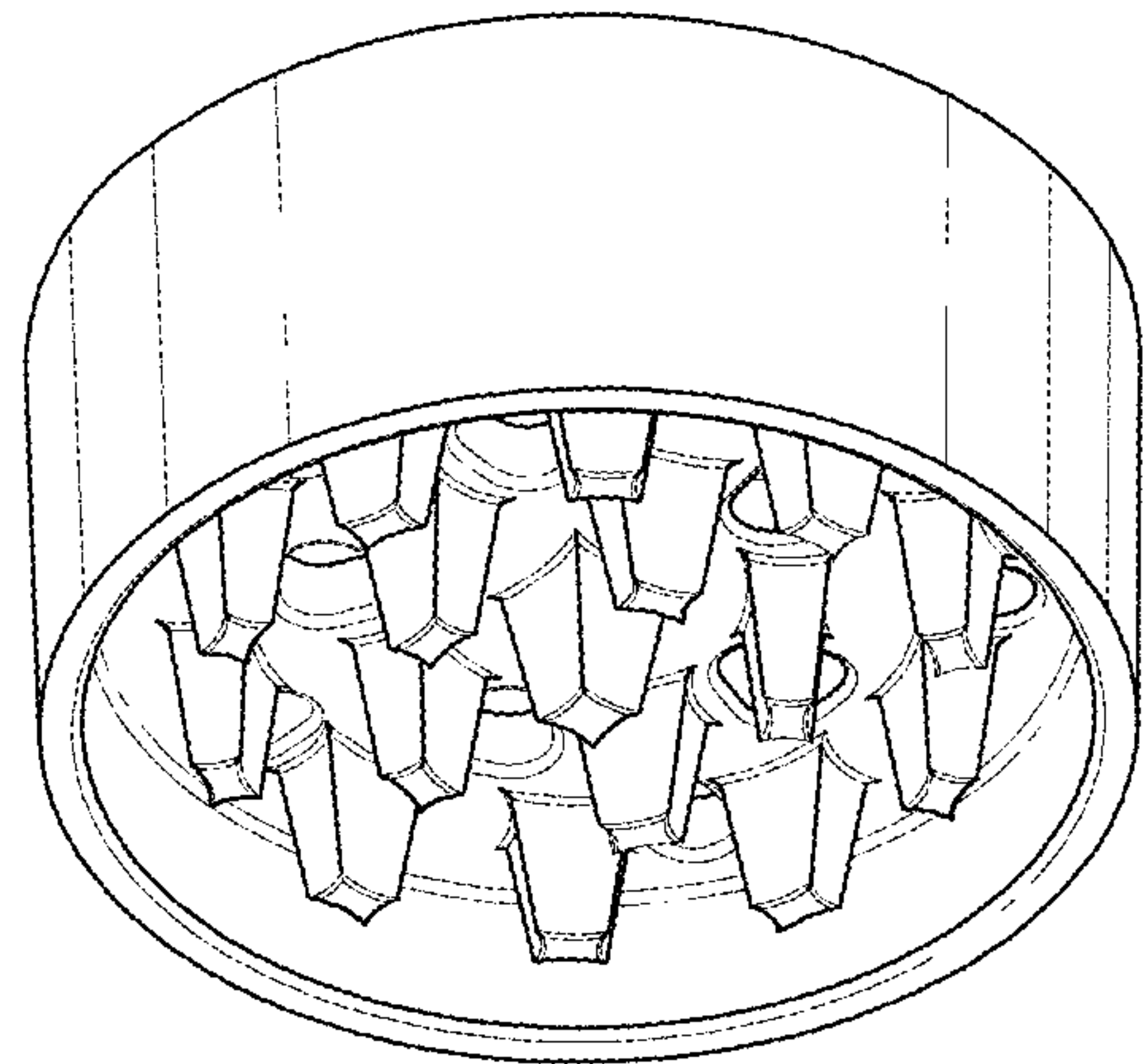


FIG. 12

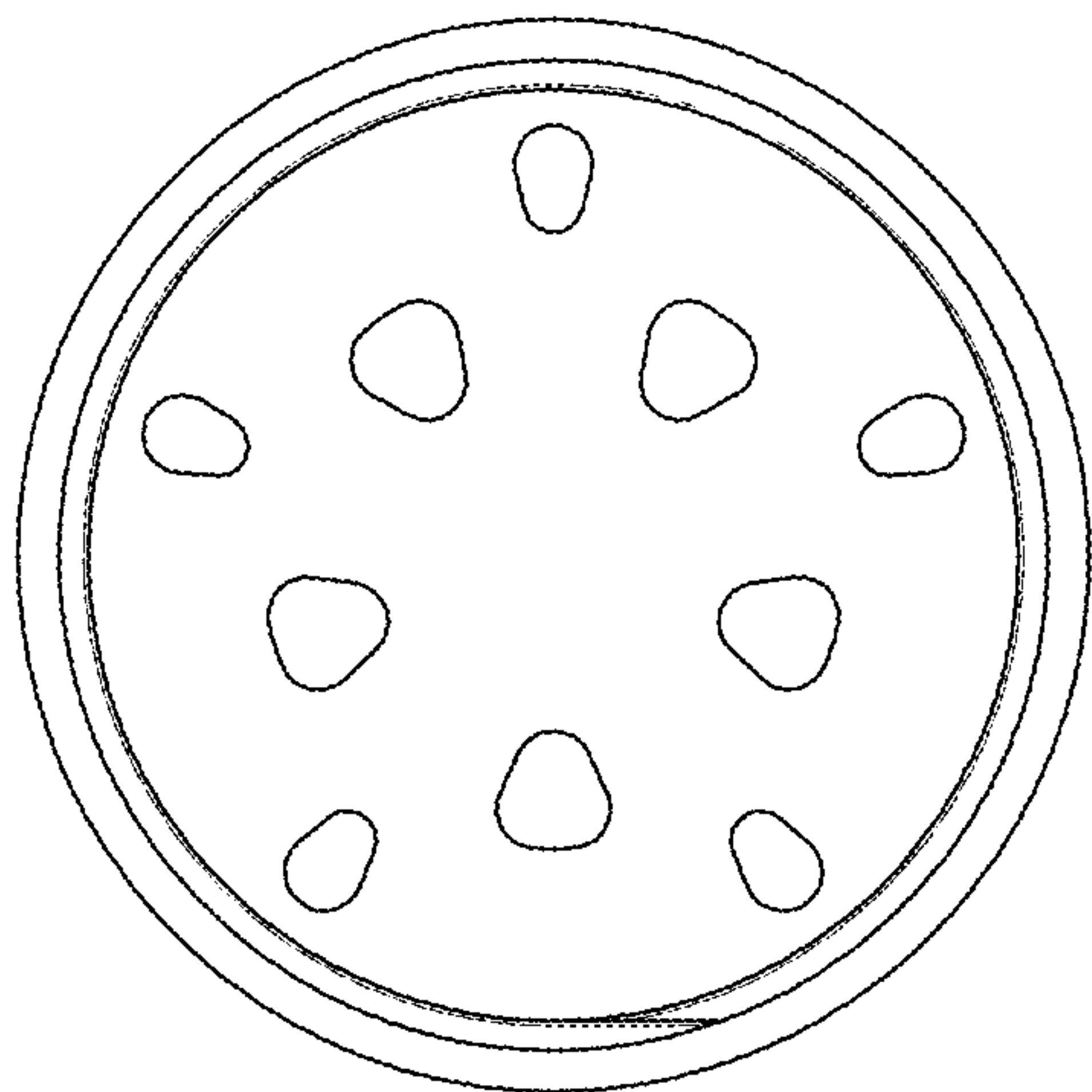


FIG. 13

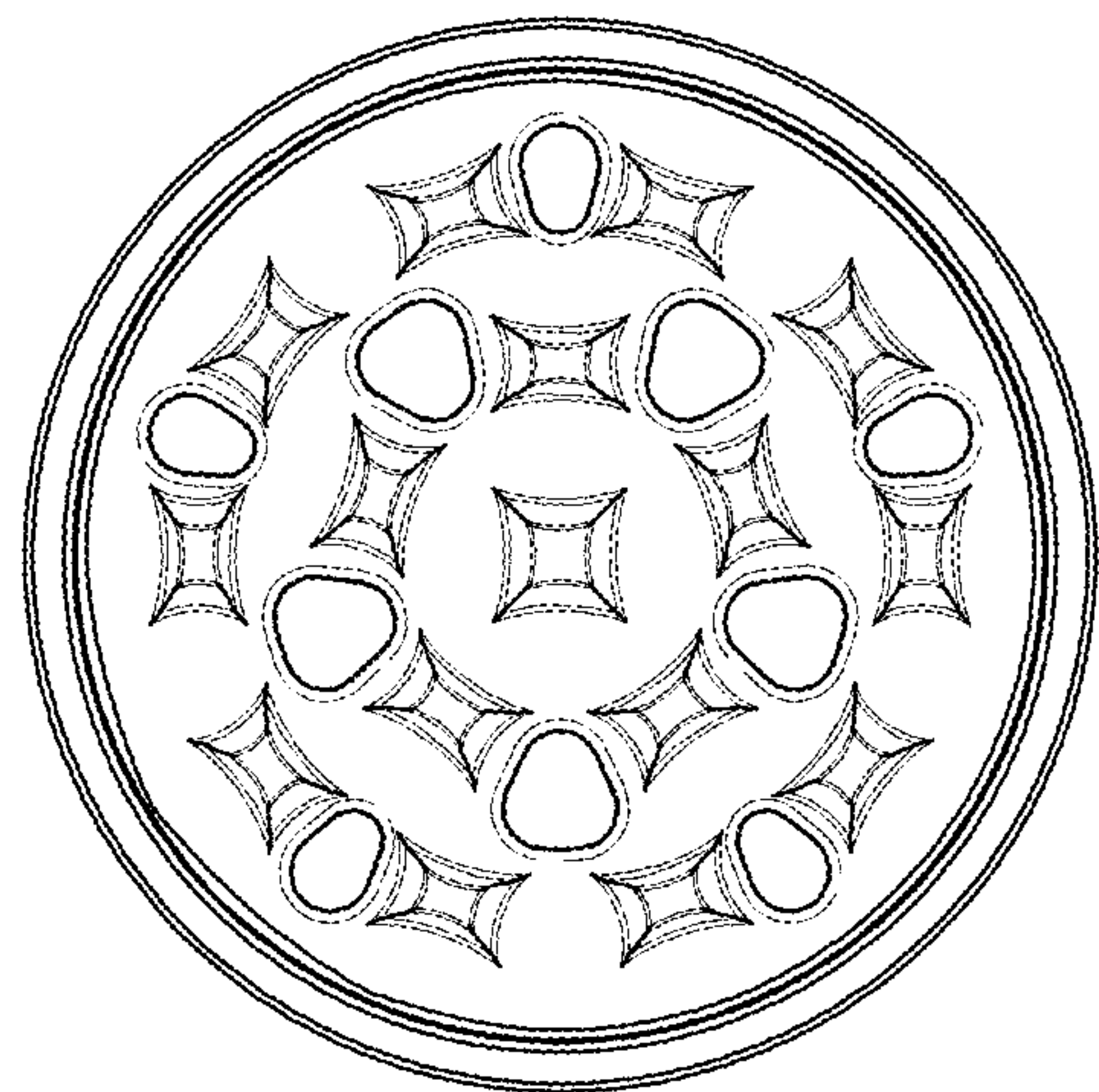


FIG. 14



FIG. 15



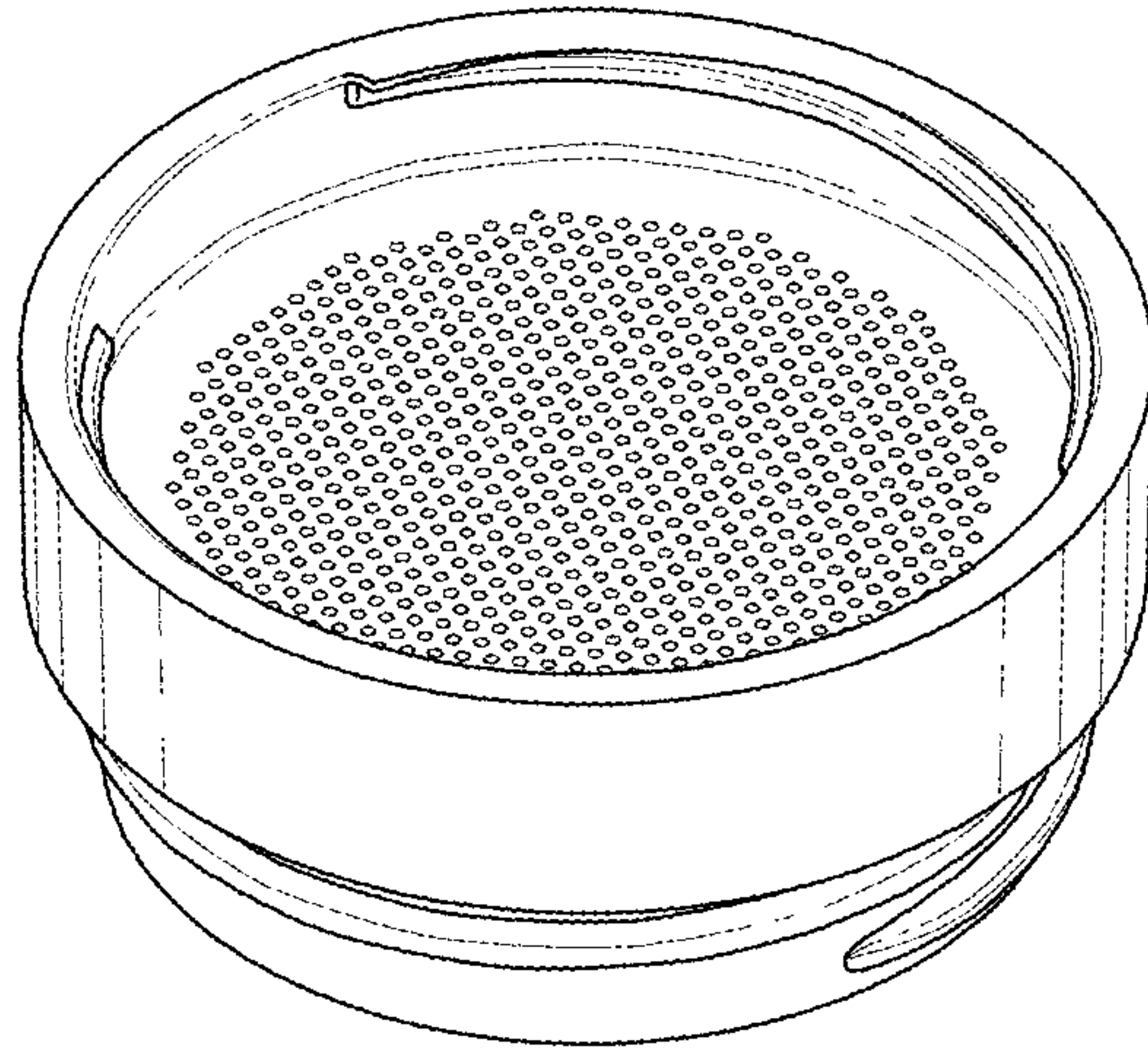


FIG. 16

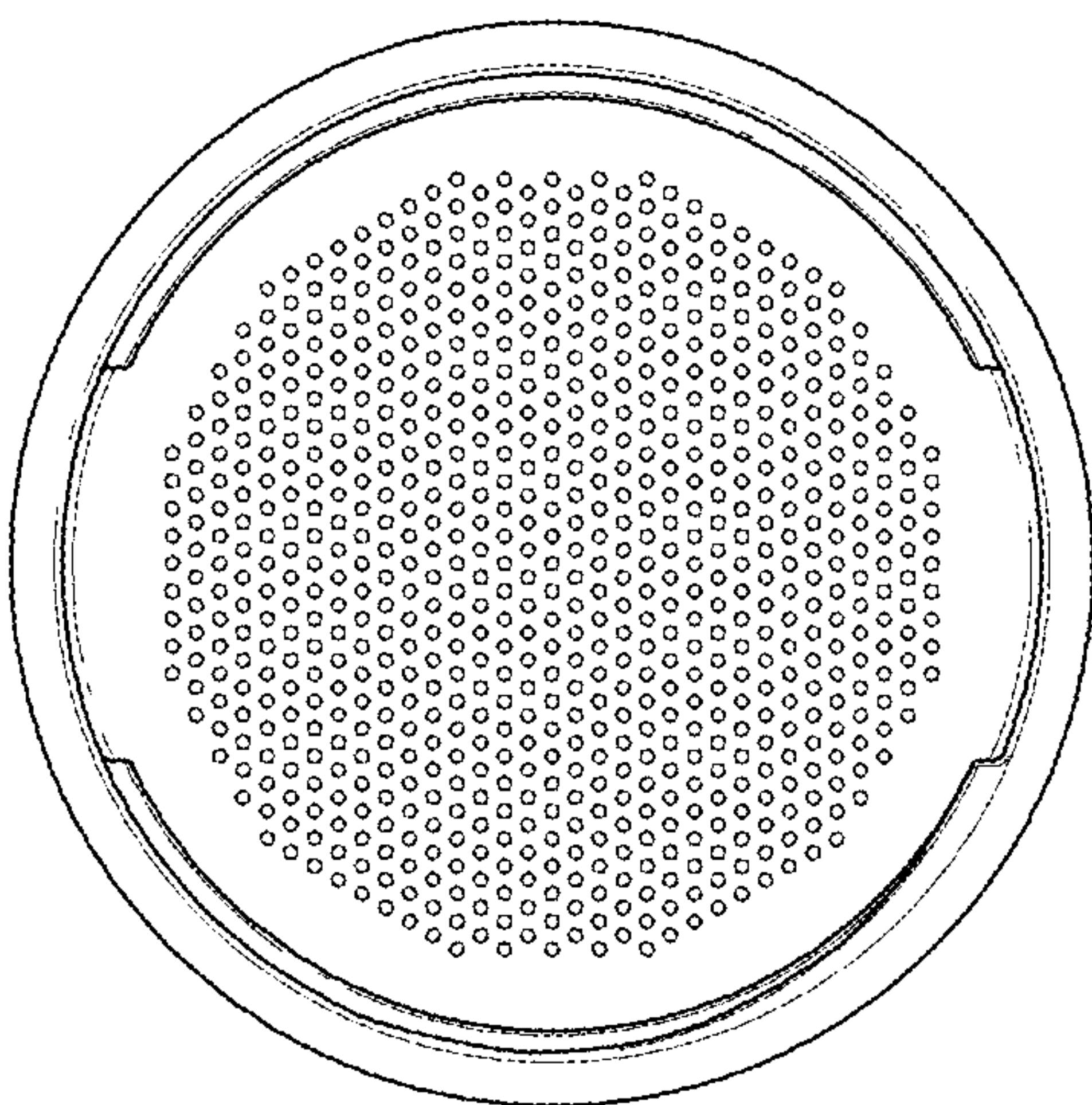


FIG. 17

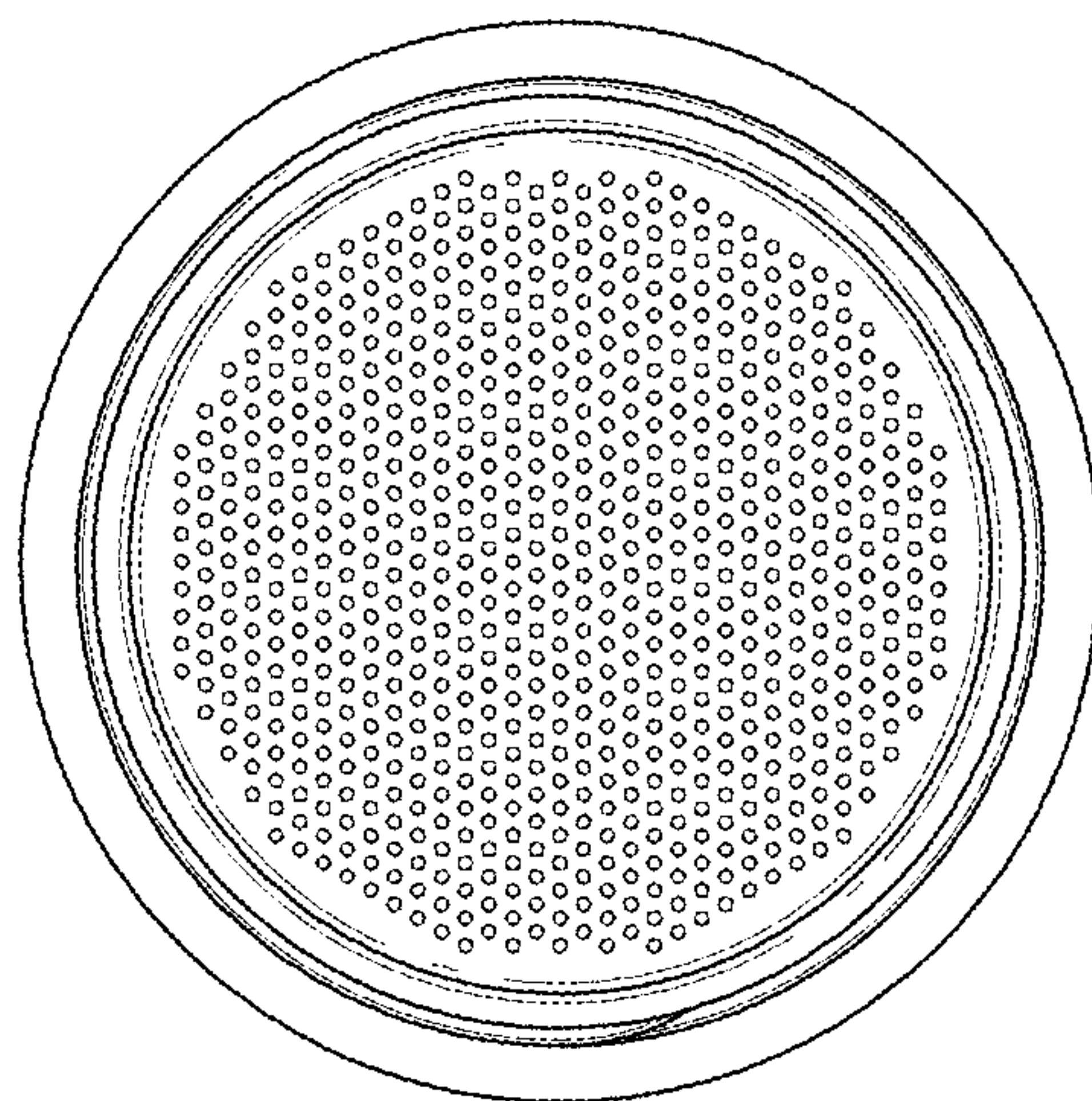


FIG. 18



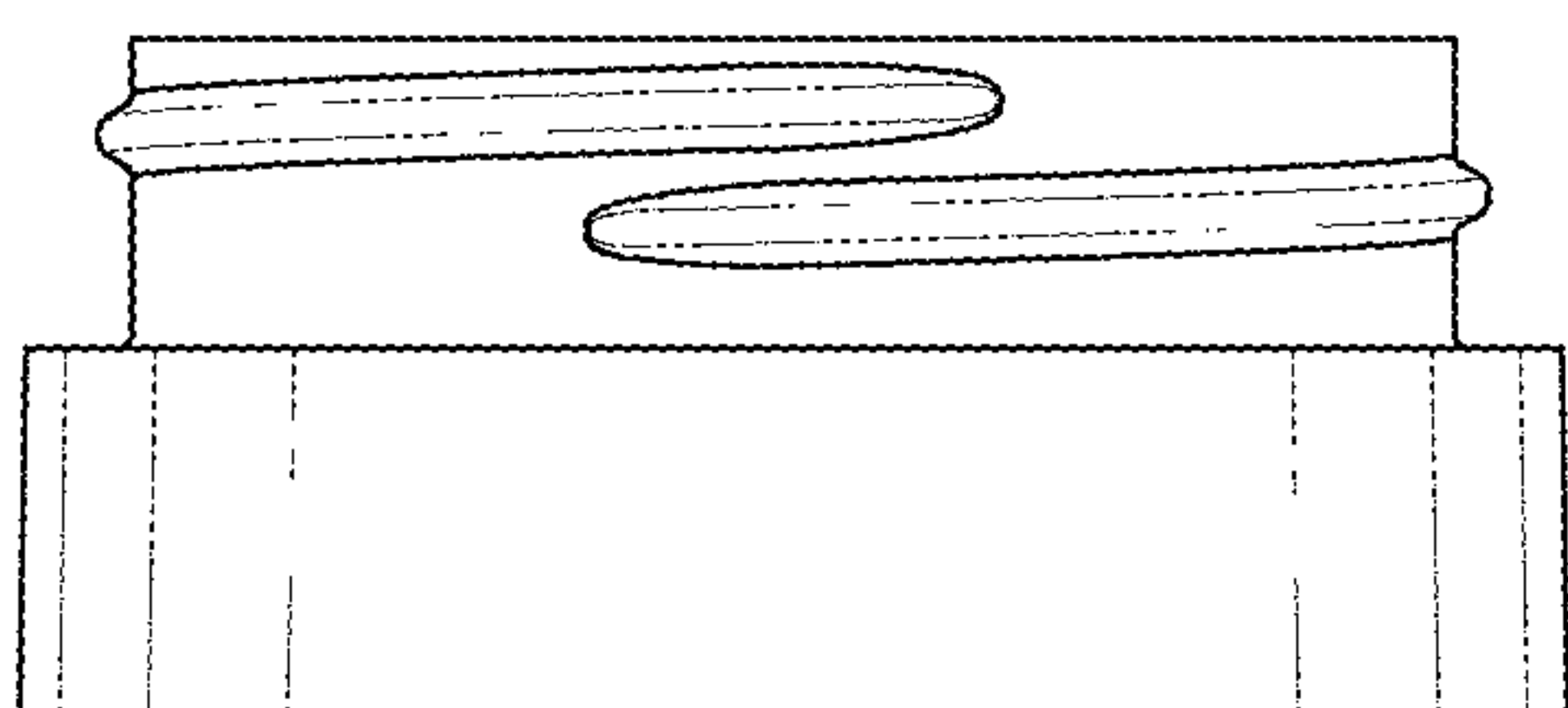


FIG. 19

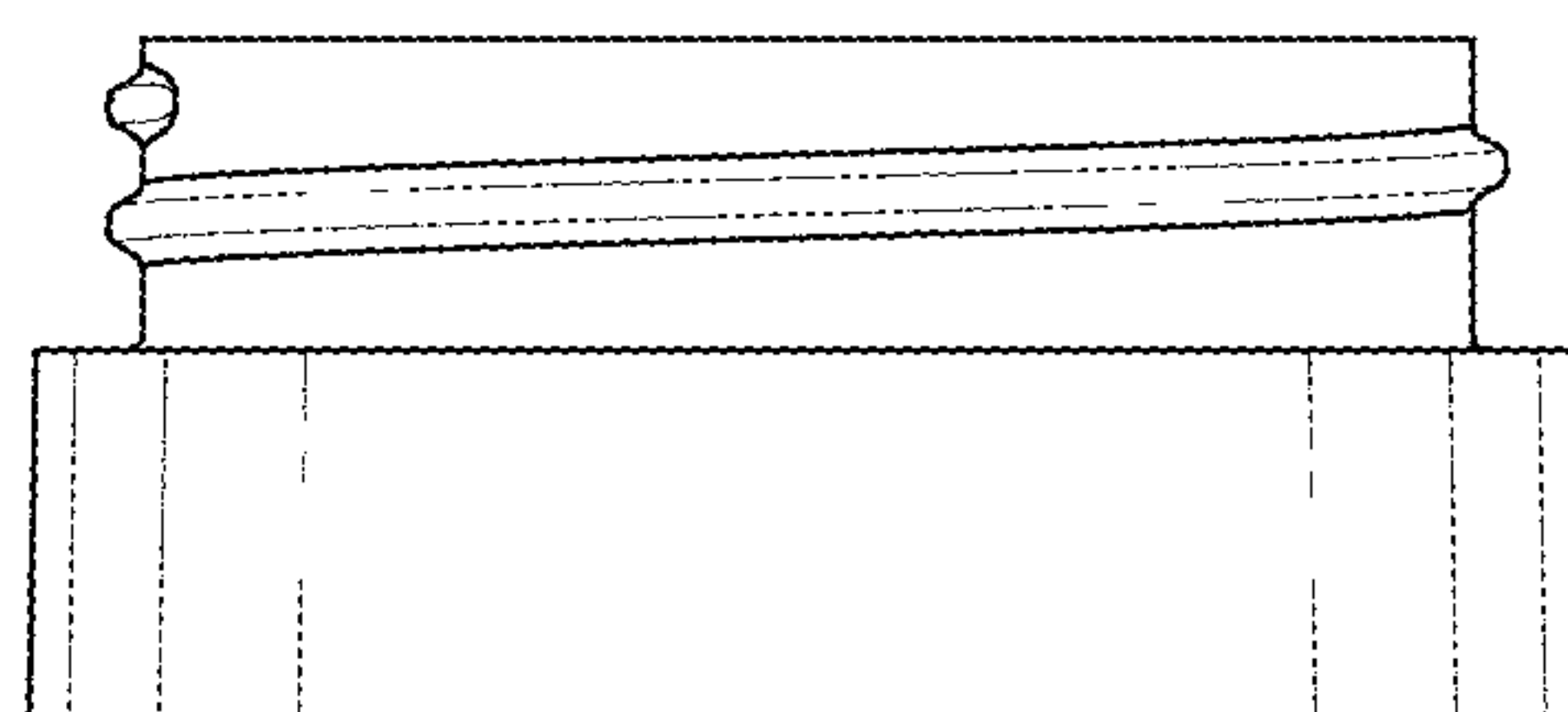


FIG. 20

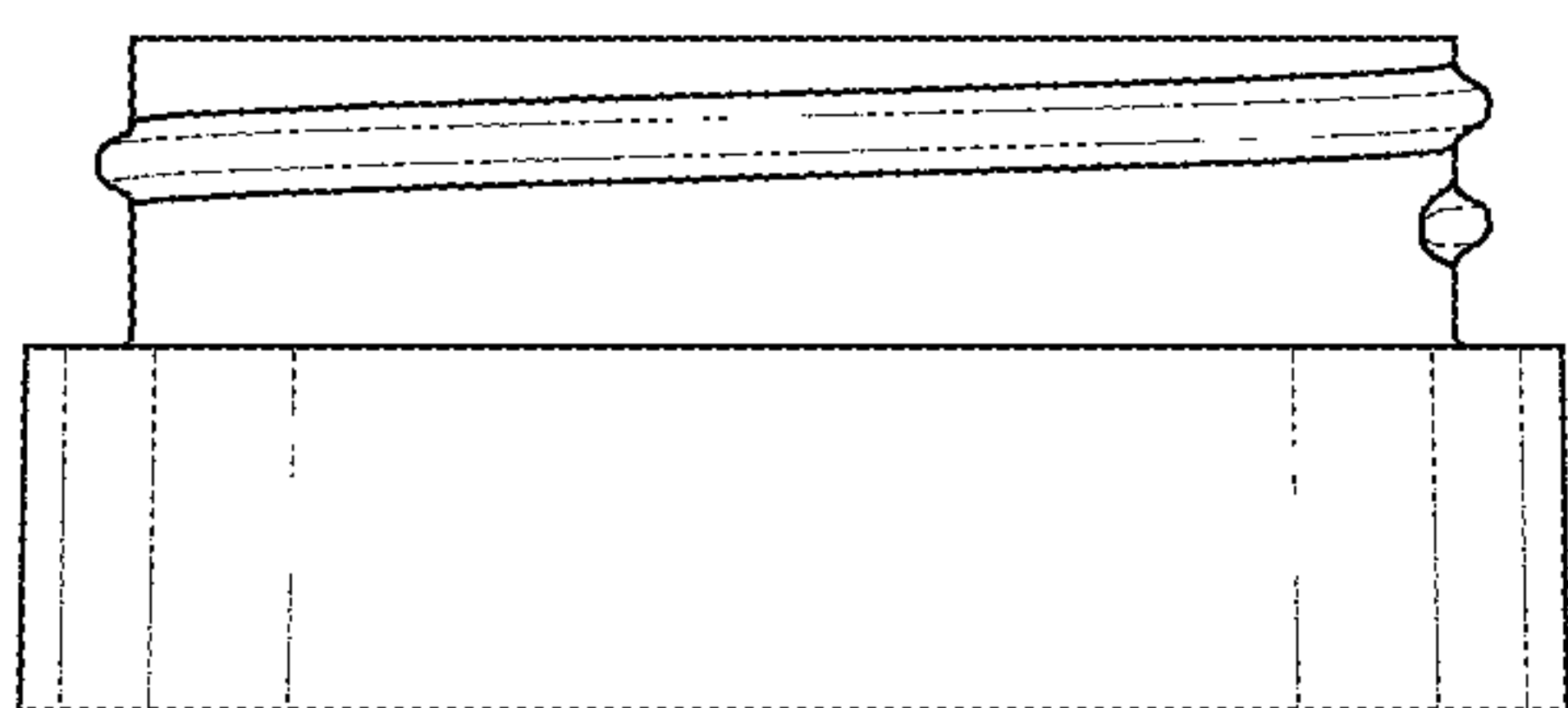


FIG. 21

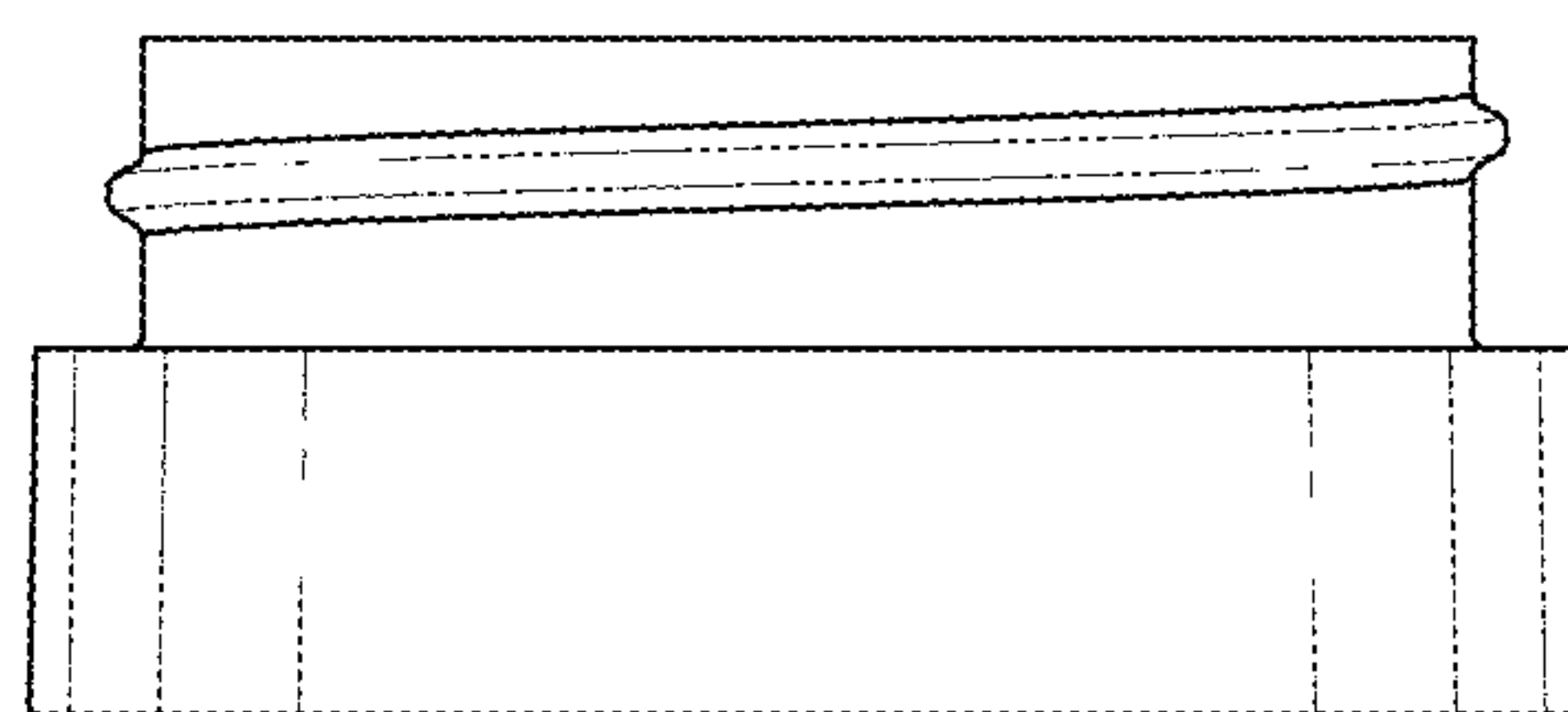


FIG. 22

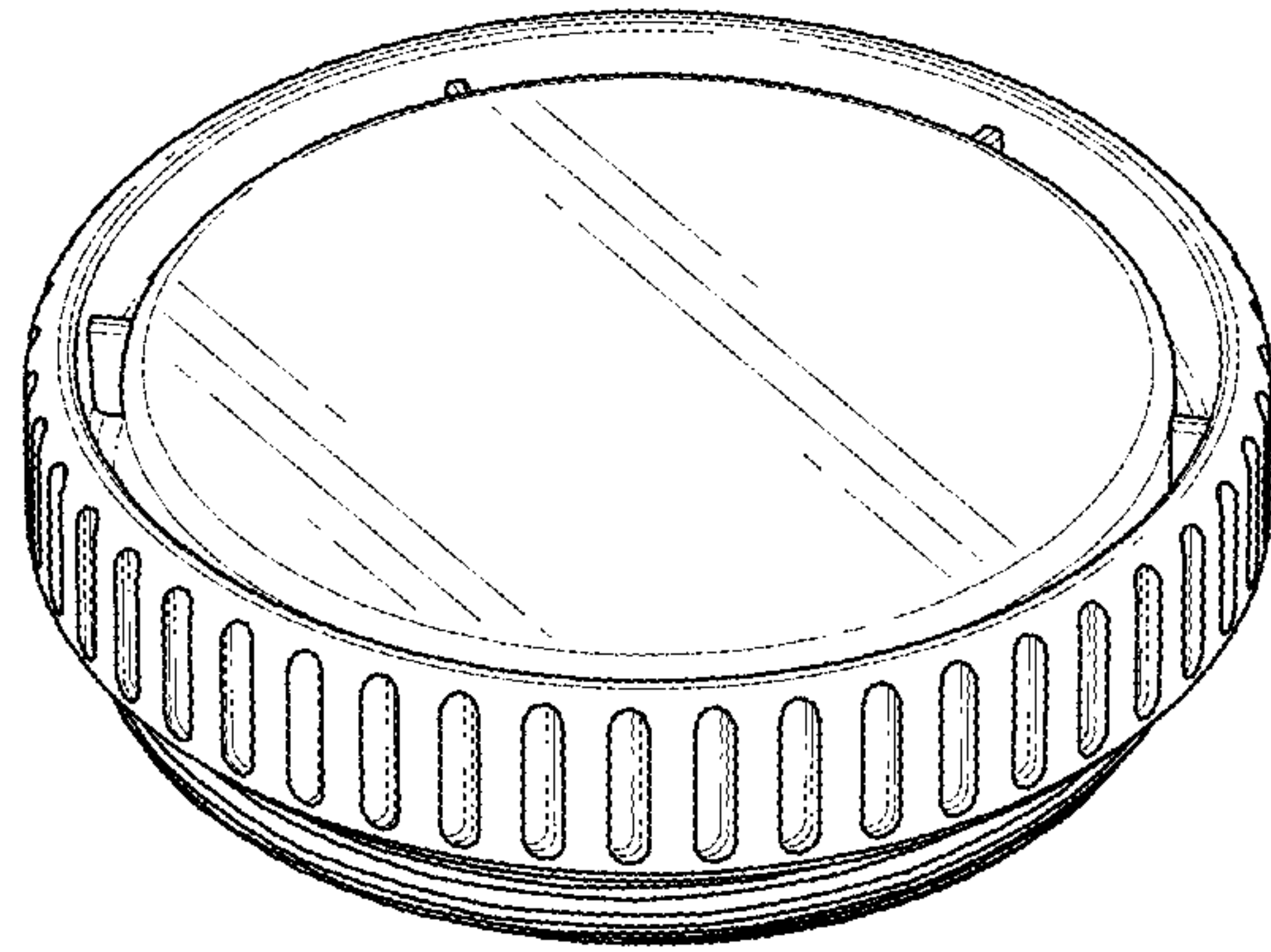


FIG. 23

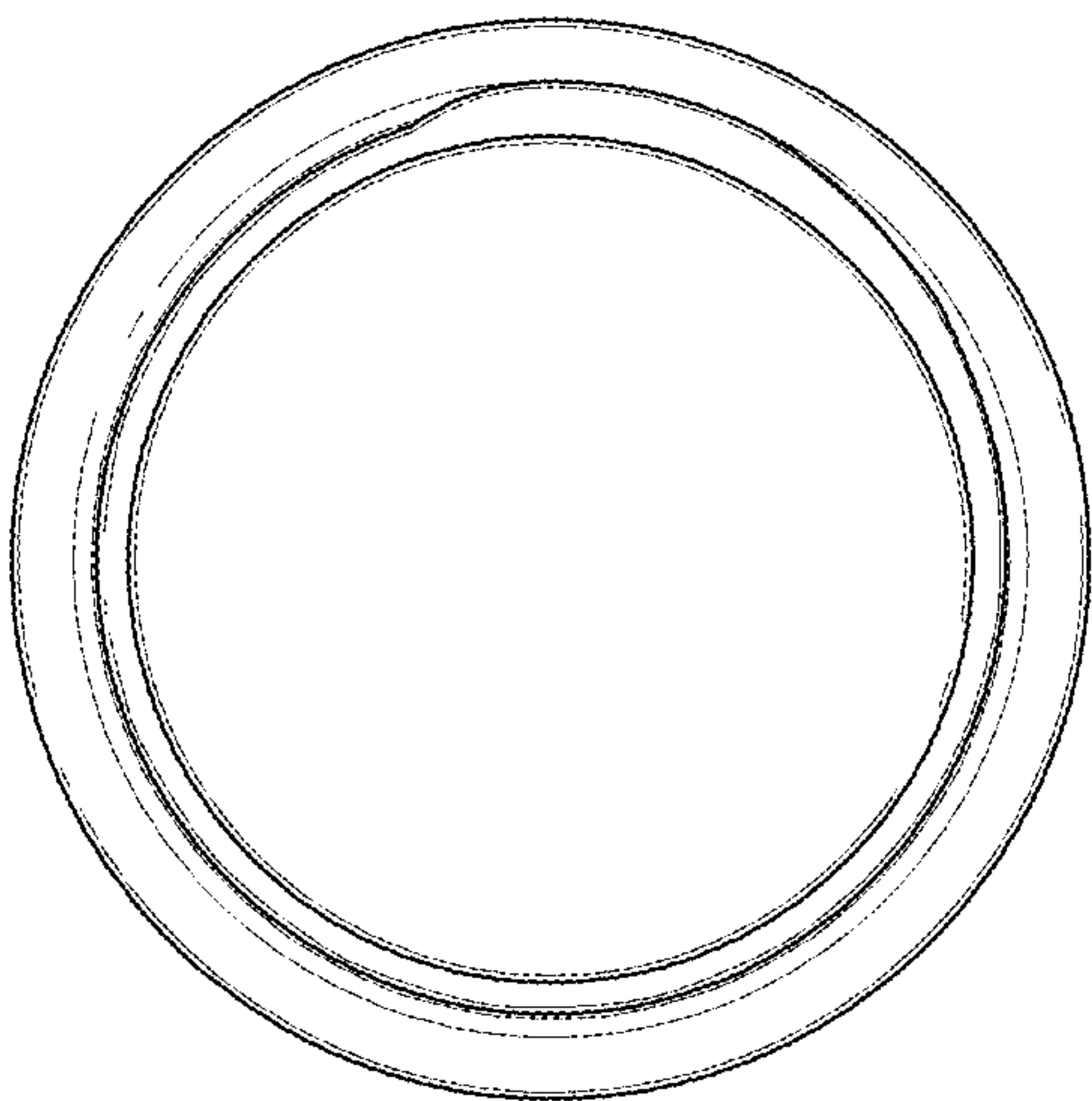


FIG. 24

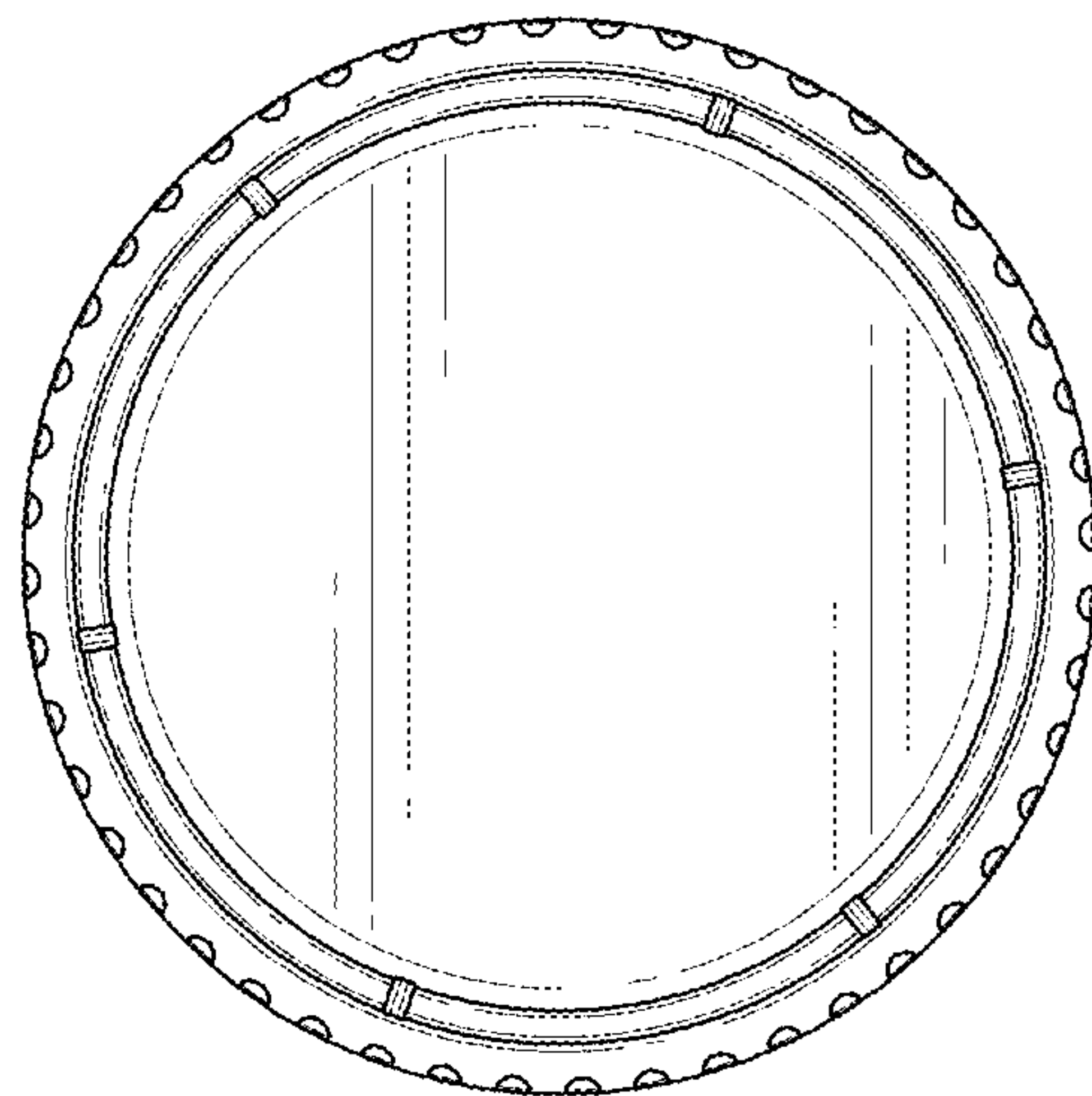


FIG. 25

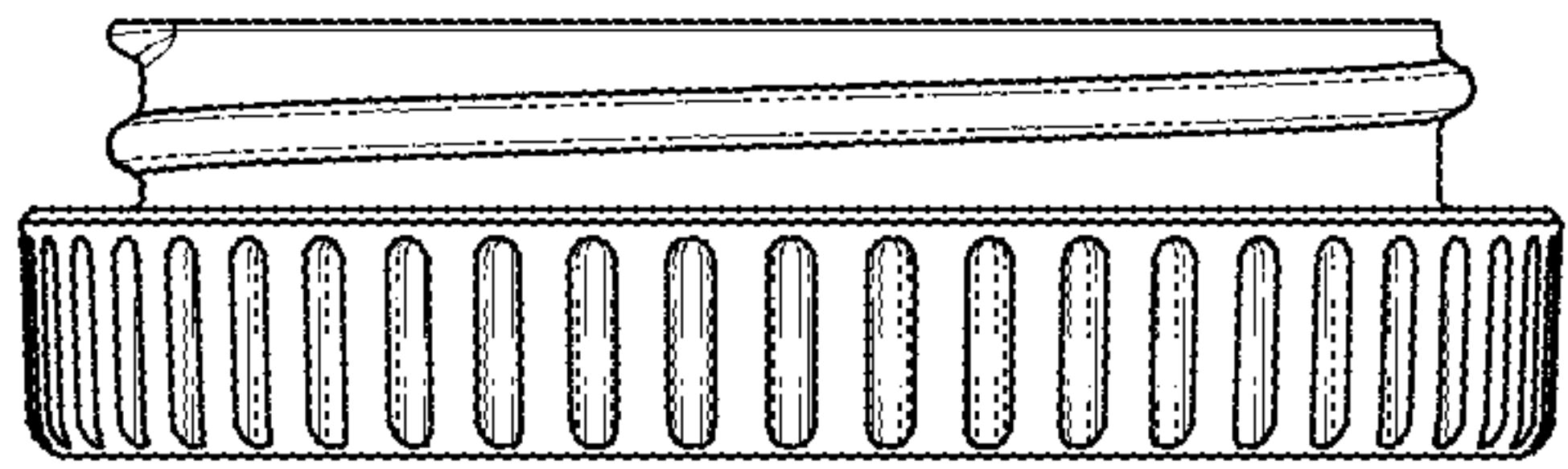


FIG. 26

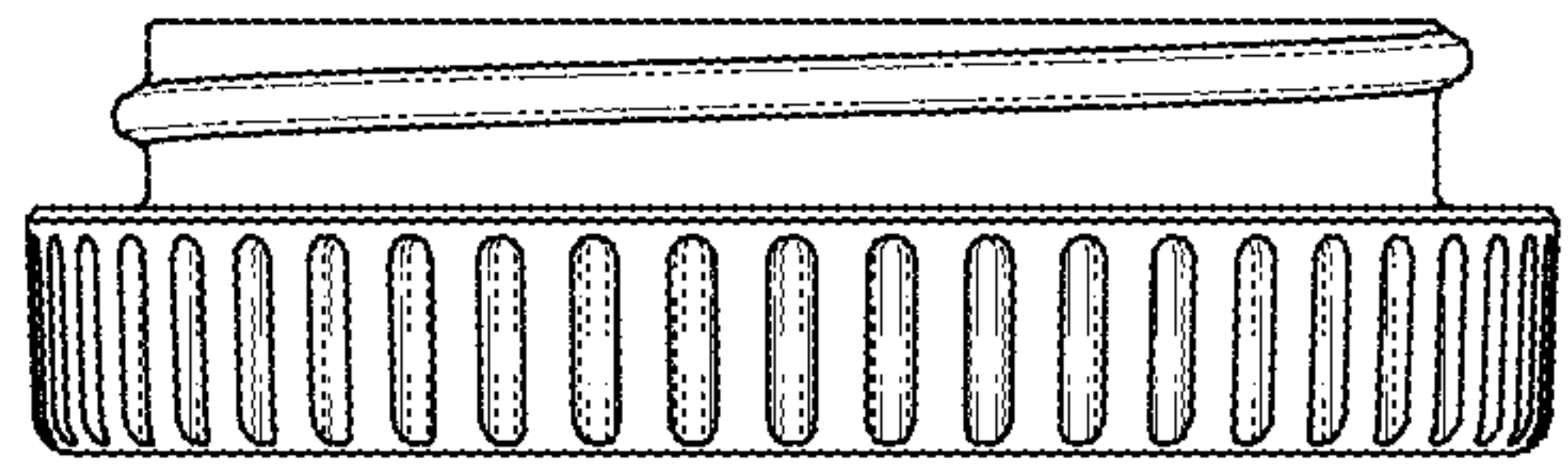


FIG. 27

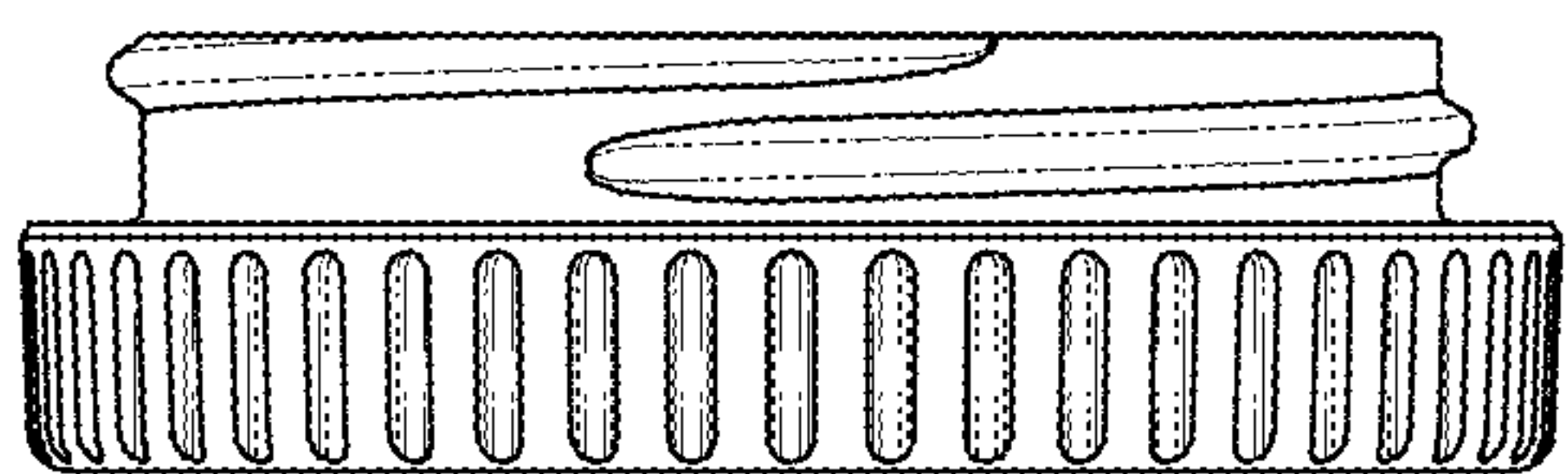


FIG. 28

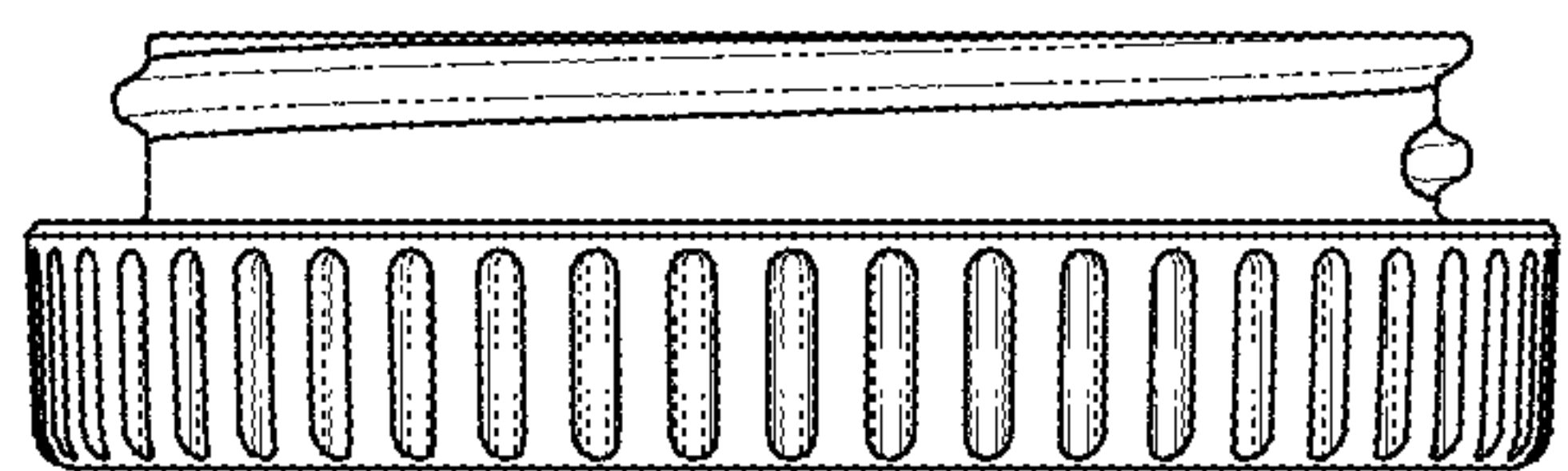


FIG. 29