



US00D944602S

(12) **United States Design Patent** (10) **Patent No.:** **US D944,602 S**  
**Chen** (45) **Date of Patent:** **\*\* Mar. 1, 2022**

(54) **KNIFE, FORK AND SPOON STORAGE BOX**

D260,455 S \* 9/1981 Haswell ..... D6/630  
D340,803 S \* 11/1993 Bradford ..... D3/283  
D342,398 S \* 12/1993 Lemmerman ..... D6/553

(71) Applicant: **Weiyang Chen**, Guangzhou (CN)

(Continued)

(72) Inventor: **Weiyang Chen**, Guangzhou (CN)

(\*\*) Term: **15 Years**

FOREIGN PATENT DOCUMENTS

(21) Appl. No.: **29/716,406**

CN 305703864 \* 4/2020  
CN 306137722 \* 10/2020

(Continued)

(22) Filed: **Dec. 10, 2019**

OTHER PUBLICATIONS

(51) **LOC (13) Cl.** ..... **07-07**

(52) **U.S. Cl.**

USPC ..... **D7/637**; D3/313

(58) **Field of Classification Search**

USPC ..... D3/273, 276, 283–286, 291, 293,  
D3/298–299, 304–315, 319, 321, 901,  
D3/903; D6/512, 524, 553; D19/75, 81,  
D19/83–86, 90–92, 95; D7/601, 637,  
D7/640, 641

CPC .. B25H 3/003; B25H 3/06; A45C 5/00; A45C  
11/00; A45C 11/34; A45C 11/36; A45C  
13/02; A45F 7/00; A45F 2200/05; A45F  
2200/0575; A47G 21/00; A47G 21/14;  
B65D 1/00; B65D 1/22; B65D 1/24;  
B65D 1/34; B65D 1/36; B65D 11/00;  
B65D 21/00; B65D 25/00; B65D 25/04;  
B65D 25/06; B65D 85/00

See application file for complete search history.

Kitchen Drawer Organizer Tray Box . . . , first available Jun. 17,  
2020, amazon.com [online], [site visited Feb. 5, 2021], Internet  
URL exceeds character limit of PTO-892; see written Office Action  
(Year: 2020).\*

(Continued)

*Primary Examiner* — Jeffrey D Asch  
*Assistant Examiner* — Caitlin A Laverty

(57)

**CLAIM**

The ornamental design for a knife, fork and spoon storage  
box, as shown and described.

**DESCRIPTION**

FIG. 1 is a first perspective view of a knife, fork and spoon  
storage box showing my new design;  
FIG. 2 is a second perspective view thereof;  
FIG. 3 is a front view thereof;  
FIG. 4 is a back view thereof;  
FIG. 5 is a left side view thereof;  
FIG. 6 is a right side view thereof;  
FIG. 7 is a top view thereof;  
FIG. 8 is a bottom view thereof; and,  
FIG. 9 is a sectional view which is taken along line 9-9 in  
FIG. 3.

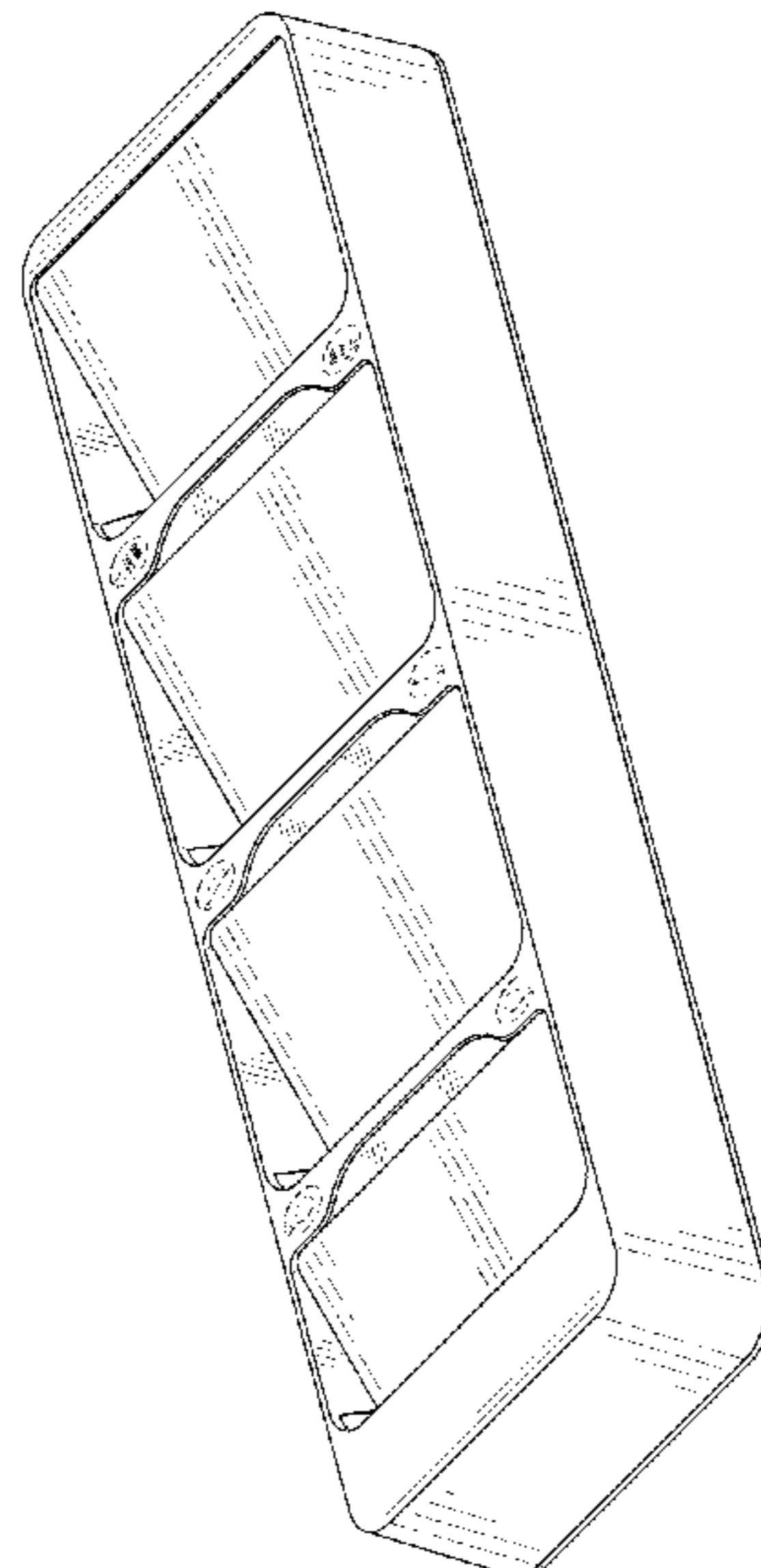
The broken lines shown in the drawings depict portions of  
the knife, fork and spoon storage box in which the design is  
embodied that form no part of the claimed design.

**1 Claim, 9 Drawing Sheets**

(56) **References Cited**

U.S. PATENT DOCUMENTS

1,746,503 A \* 2/1930 Timmons ..... A47G 21/14  
211/70.7  
2,303,971 A \* 12/1942 John ..... A47B 63/02  
211/50  
D174,380 S \* 4/1955 Engels ..... D6/559  
D246,557 S \* 12/1977 Gilmartin ..... D6/570  
4,121,719 A \* 10/1978 Wilhelm ..... B43M 99/001  
211/69.5



(56)

**References Cited**

U.S. PATENT DOCUMENTS

D363,950 S \* 11/1995 Brussing ..... D19/86  
D388,121 S \* 12/1997 Gomez ..... D19/86  
D804,822 S \* 12/2017 Stratton ..... D3/313  
D856,092 S \* 8/2019 Joseph ..... D7/637  
D885,081 S \* 5/2020 Baul ..... D6/553  
D924,568 S \* 7/2021 Hsu ..... D3/304  
D932,847 S \* 10/2021 Joseph ..... D7/637  
2018/0160830 A1 \* 6/2018 Marcu ..... A47G 21/14

FOREIGN PATENT DOCUMENTS

EM 006612503-0008 \* 7/2019  
KR 300974842.0000 \* 10/2018

OTHER PUBLICATIONS

Joseph Joseph Drawerstore Kitchen Drawer Organizer . . . , first available Feb. 7, 2018, amazon.com [online], [site visited Feb. 5, 2021], Internet URL exceeds character limit of PTO-892; see written Office Action (Year: 2018).\*

\* cited by examiner

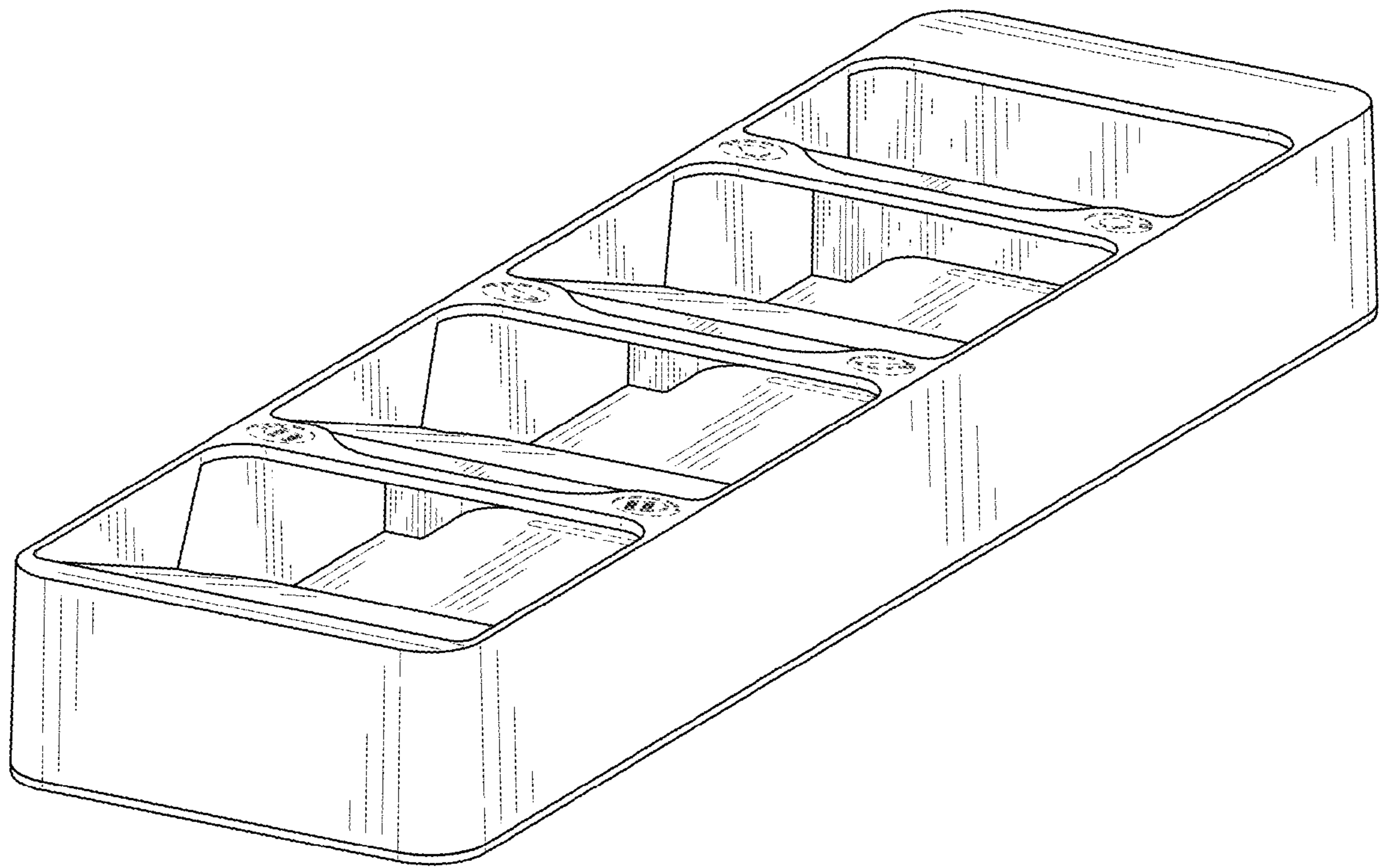


FIG. 1

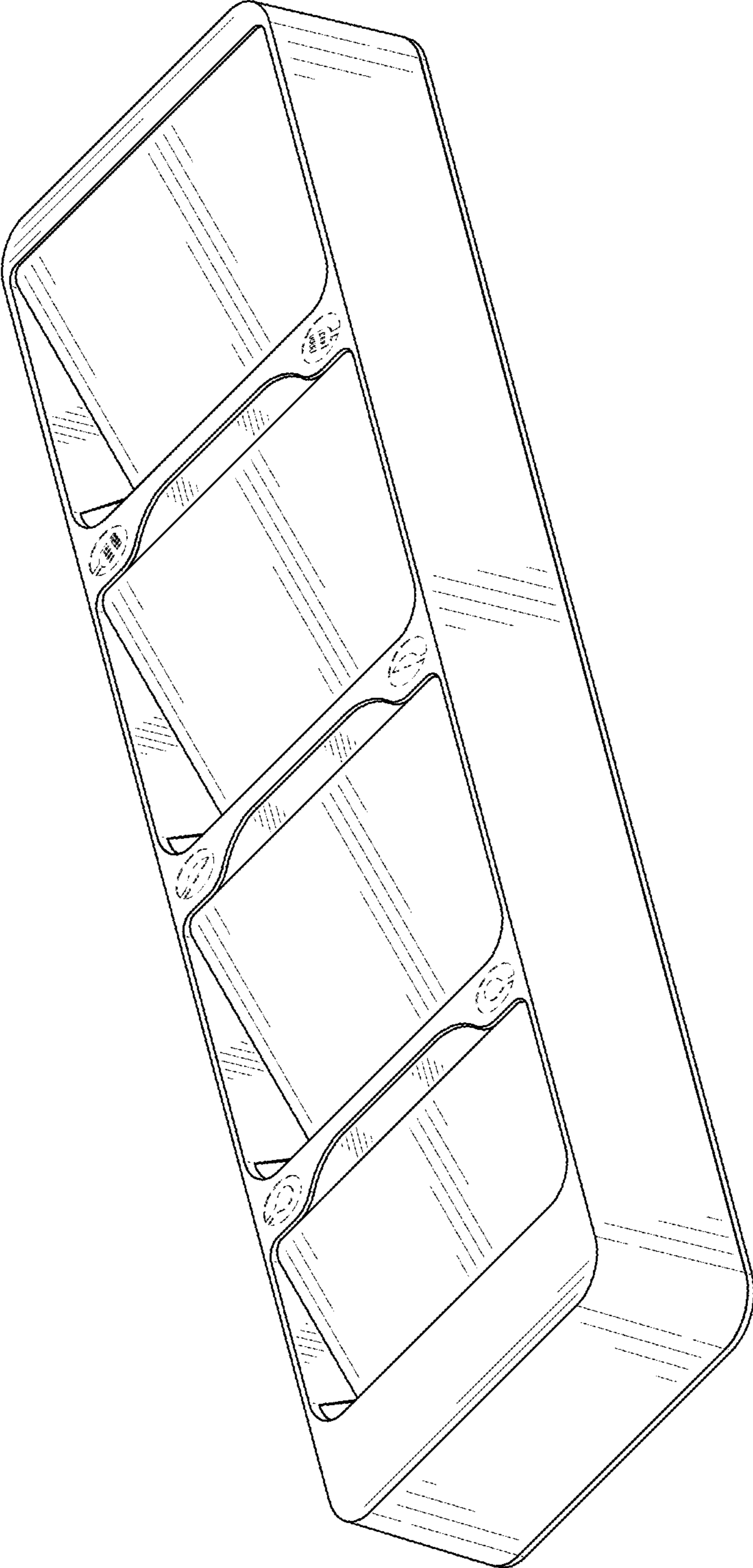
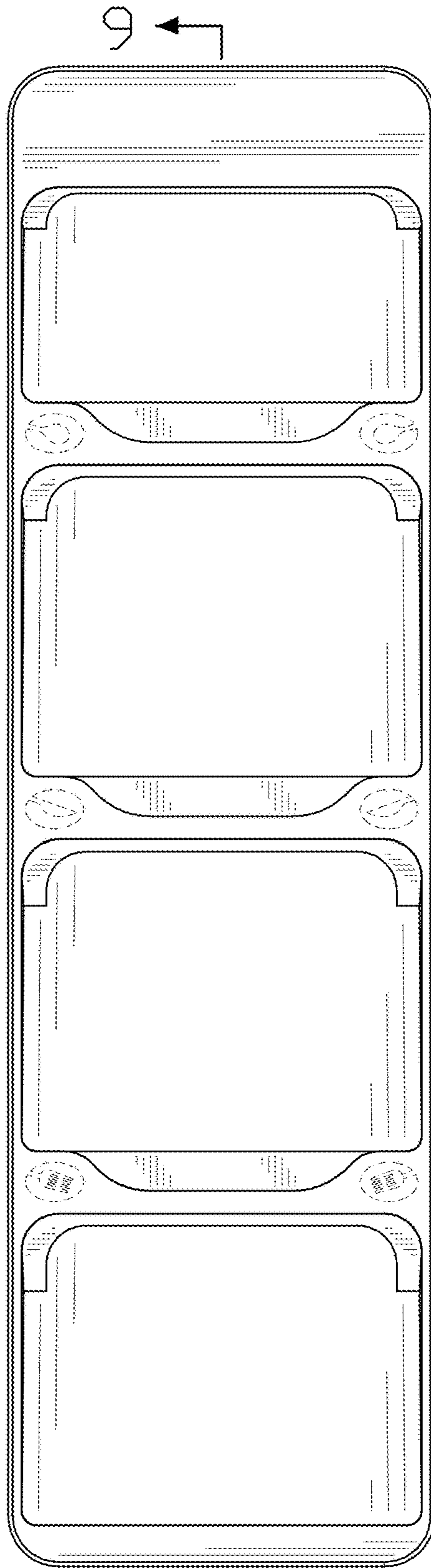


FIG. 2



9 ←  
FIG. 3

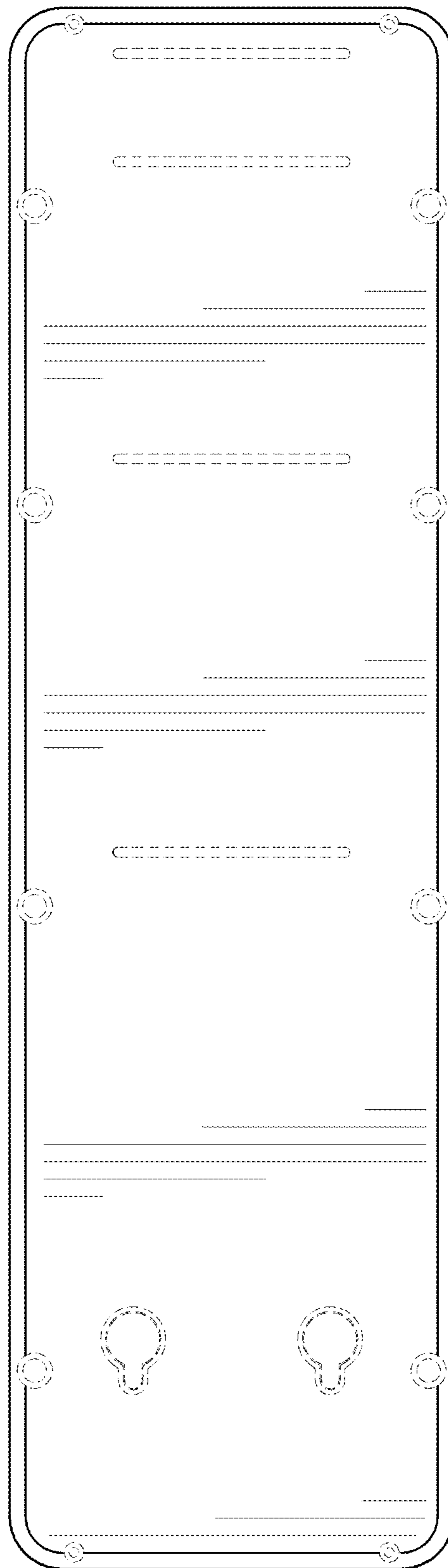


FIG. 4

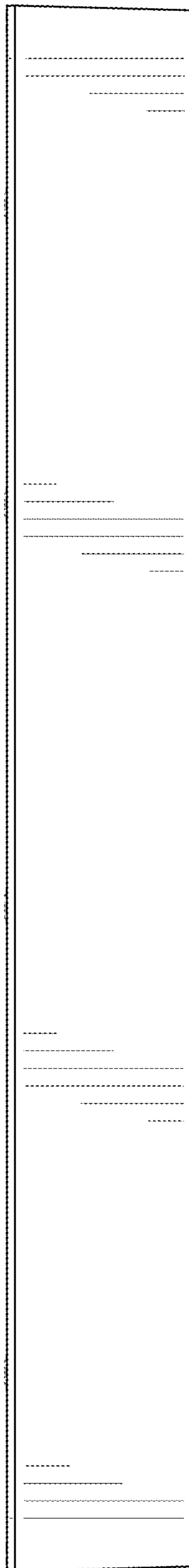


FIG. 5

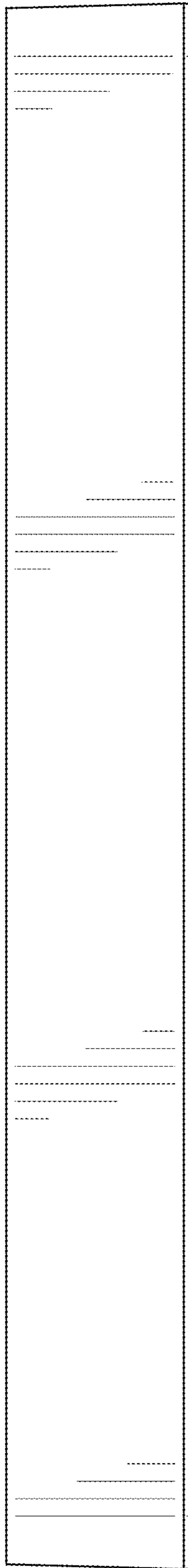


FIG. 6



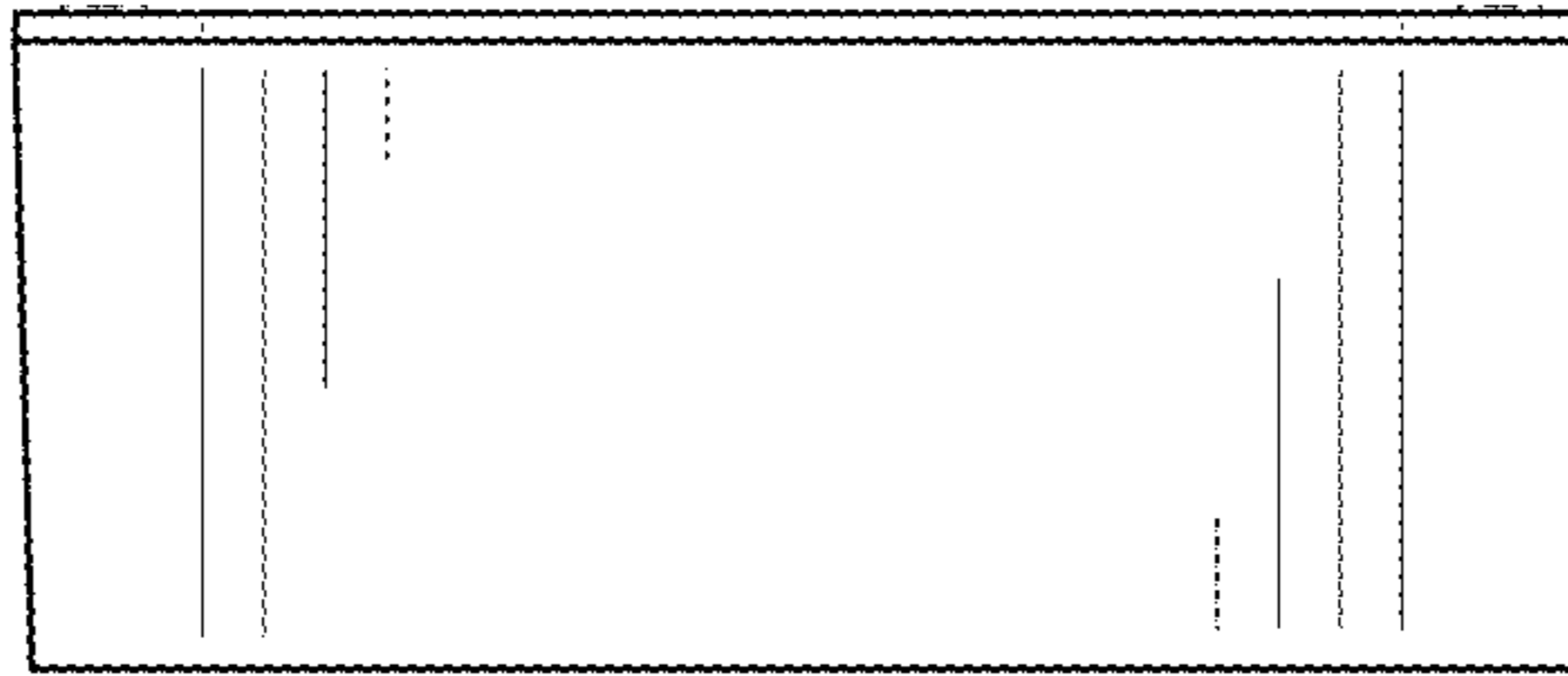


FIG. 7



FIG. 8

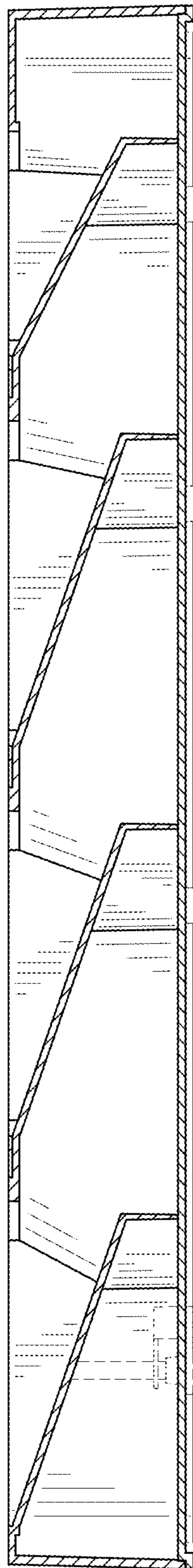


FIG. 9