



US00D944600S

(12) **United States Design Patent**
Pisarevsky

(10) **Patent No.:** **US D944,600 S**
(45) **Date of Patent:** **** Mar. 1, 2022**

- (54) **INSULATING SHORT CUP WITH LID**
- (71) Applicant: **Arie Pisarevsky**, Montreal (CA)
- (72) Inventor: **Arie Pisarevsky**, Montreal (CA)
- (**) Term: **15 Years**
- (21) Appl. No.: **29/728,862**
- (22) Filed: **Mar. 22, 2020**
- (51) **LOC (13) Cl.** **07-07**
- (52) **U.S. Cl.**
USPC **D7/608**
- (58) **Field of Classification Search**
USPC D7/300, 316, 318, 503, 507, 509, 510,
D7/511, 602, 605, 608
CPC .. A47J 41/00; A47J 43/00; A47J 47/00; A47J
47/02; A47J 47/08; A47G 19/2205; A47G
19/2272; A47G 19/2288; A47G 19/23;
A47G 23/16; A45F 3/16; A45F
2200/0583; B65D 1/265; B65D 3/22;
B65D 81/3453; B65D 81/3865
See application file for complete search history.

(56) **References Cited**

U.S. PATENT DOCUMENTS

- D277,921 S * 3/1985 Otto D7/536
- D439,477 S * 3/2001 Kiernan D7/608
- D746,109 S * 12/2015 Wilson D7/534
- D751,341 S * 3/2016 Seiders D7/396.2
- D823,062 S * 7/2018 Goodwin D7/511
- 10,124,942 B2 * 11/2018 Seiders B29C 45/0013

- D839,049 S * 1/2019 Seiders B29C 45/0013
D7/510
- D842,038 S * 3/2019 Seiders D7/510
- D875,471 S * 2/2020 Cheng D7/510
- D882,343 S * 4/2020 Rane D7/536
- D888,505 S * 6/2020 Seiders D7/624.2
- D899,862 S * 10/2020 Rane D7/536
- D904,125 S * 12/2020 Jacobsen D7/536
- D909,818 S * 2/2021 Hunter D7/536
- D920,746 S * 6/2021 Seiders D7/624.2

* cited by examiner

Primary Examiner — Joseph Kukella
Assistant Examiner — Darryl J Dardenne

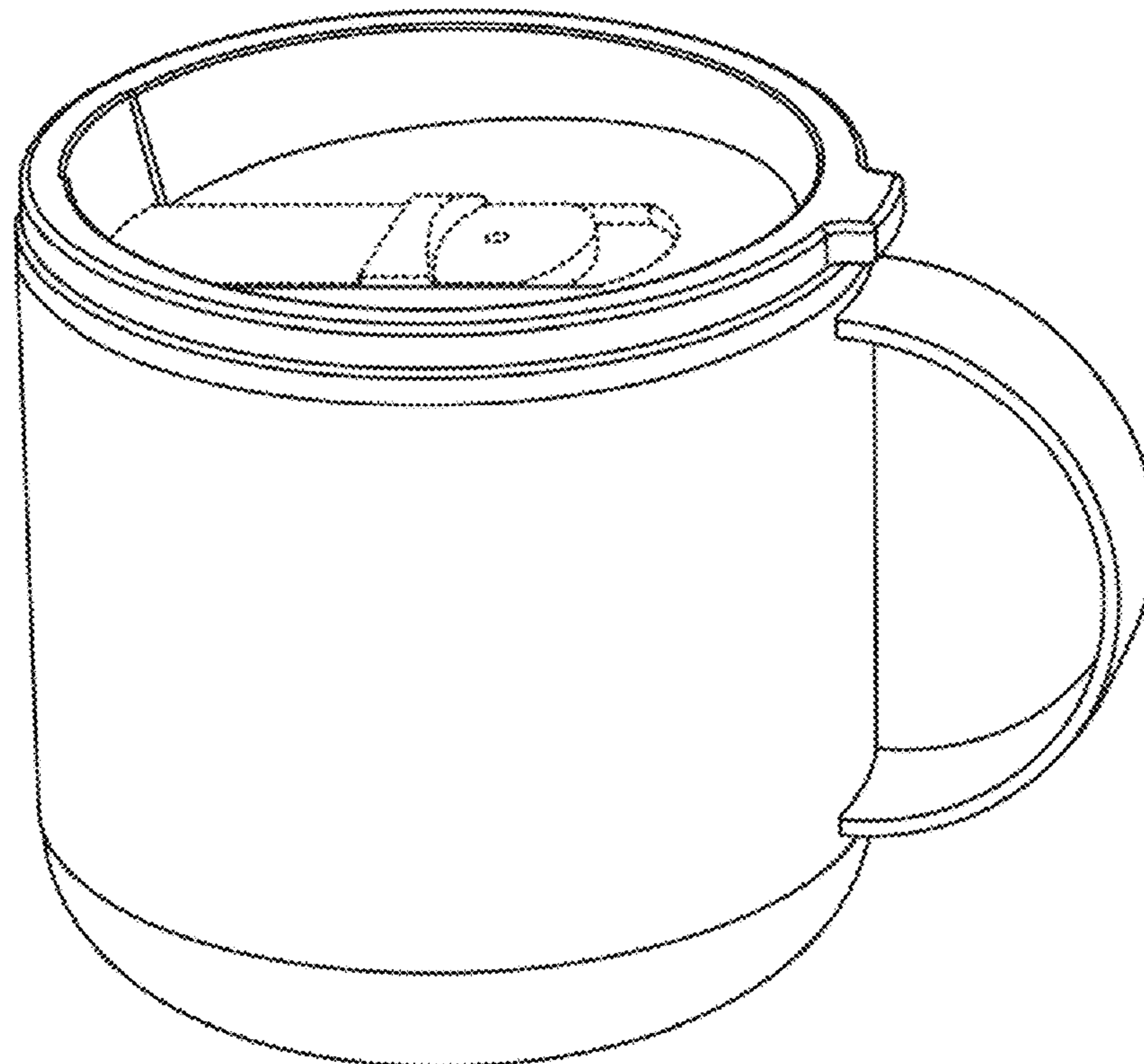
(57) **CLAIM**

The ornamental design for an insulating short cup with lid, as shown and described.

DESCRIPTION

FIG. 1 is a front view of an insulating short cup with lid showing my new design;
FIG. 2 is a front perspective view thereof;
FIG. 3 is an exploded view thereof;
FIG. 4 is a bottom perspective view thereof;
FIG. 5 is a top view of the lid for the new design; and,
FIG. 6 is a bottom view of the lid for the new design.
In the drawings, the broken lines depict environmental subject matter only and form no part of the claimed design.

1 Claim, 6 Drawing Sheets



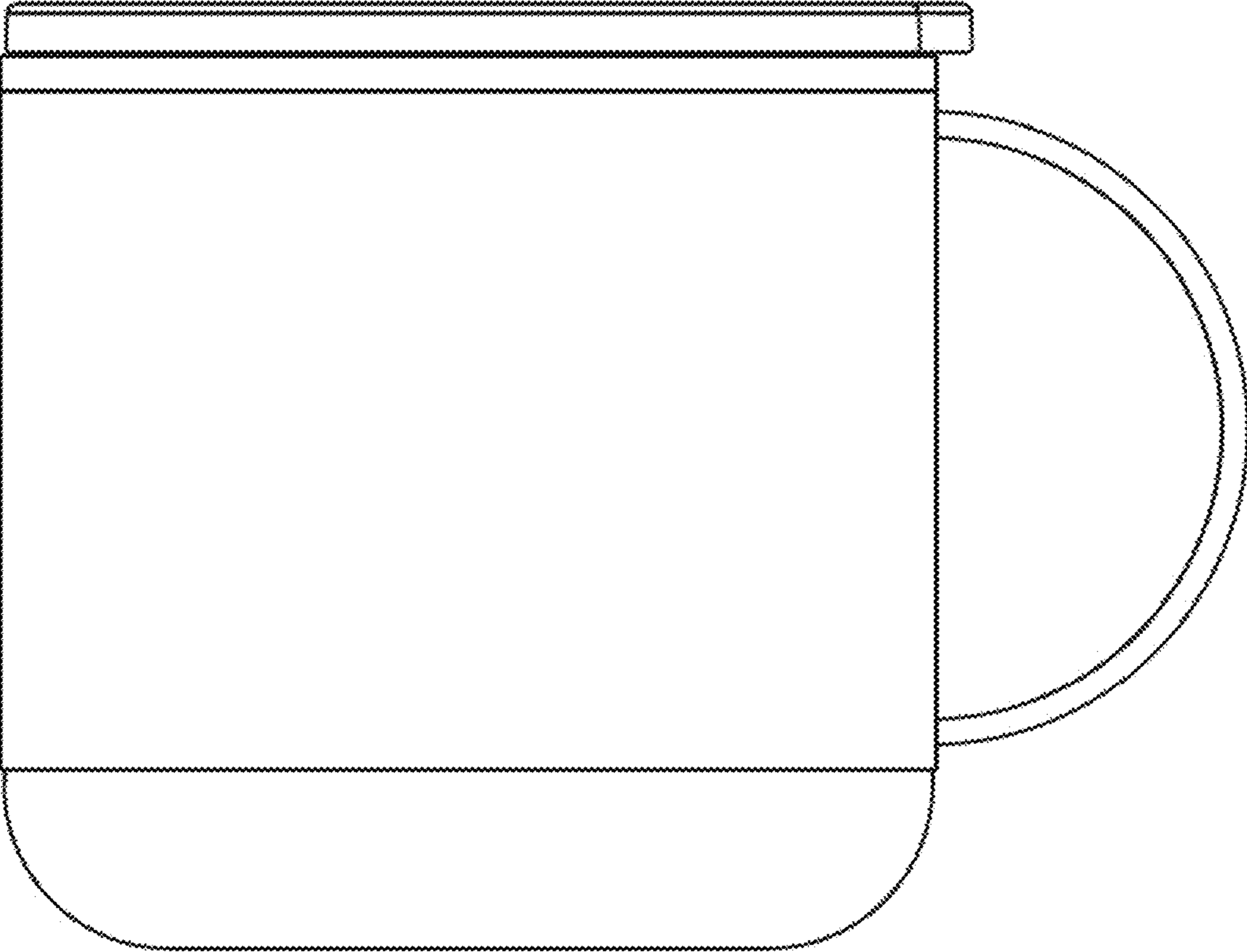


Fig.1

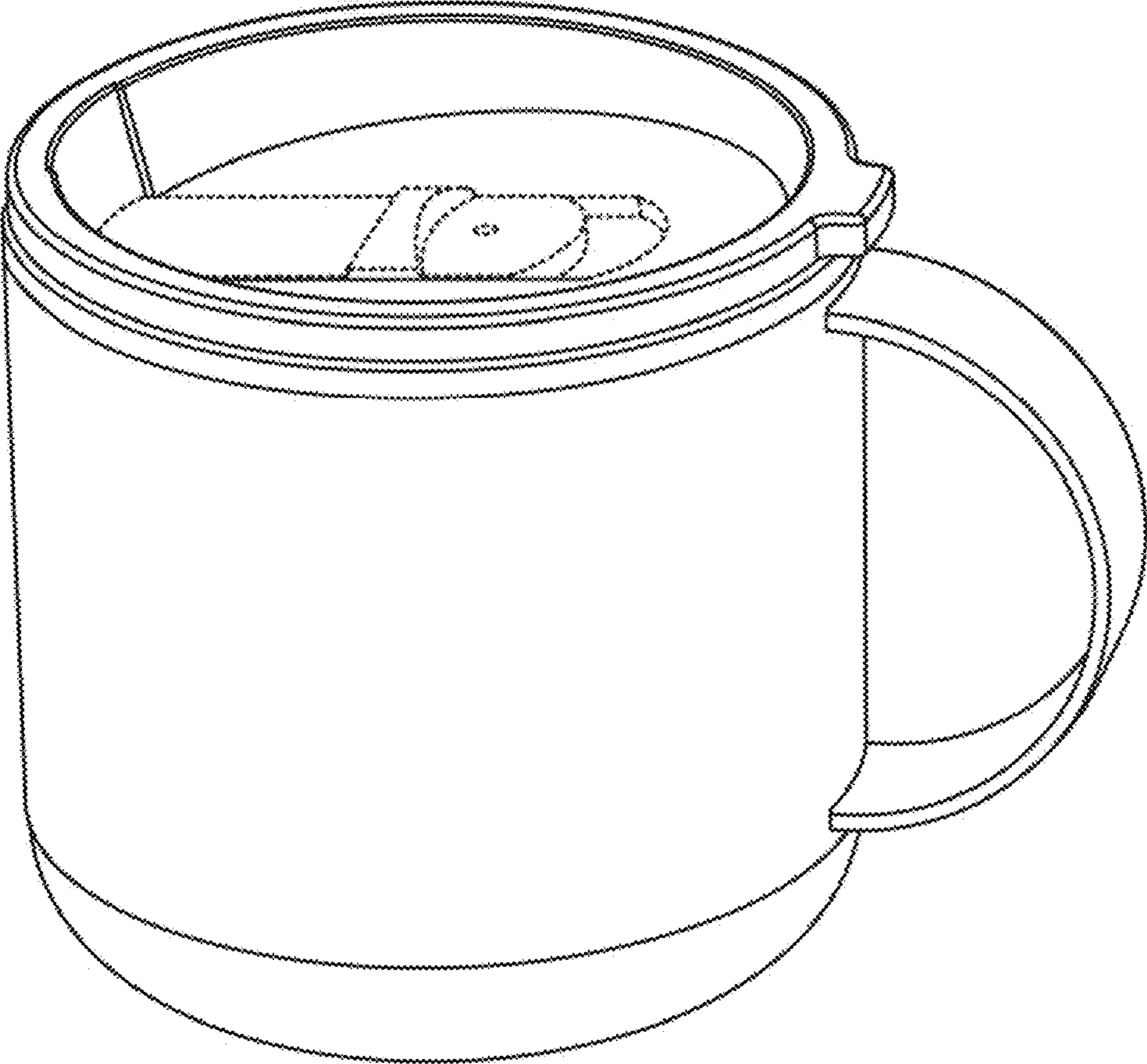


Fig.2



Fig.3

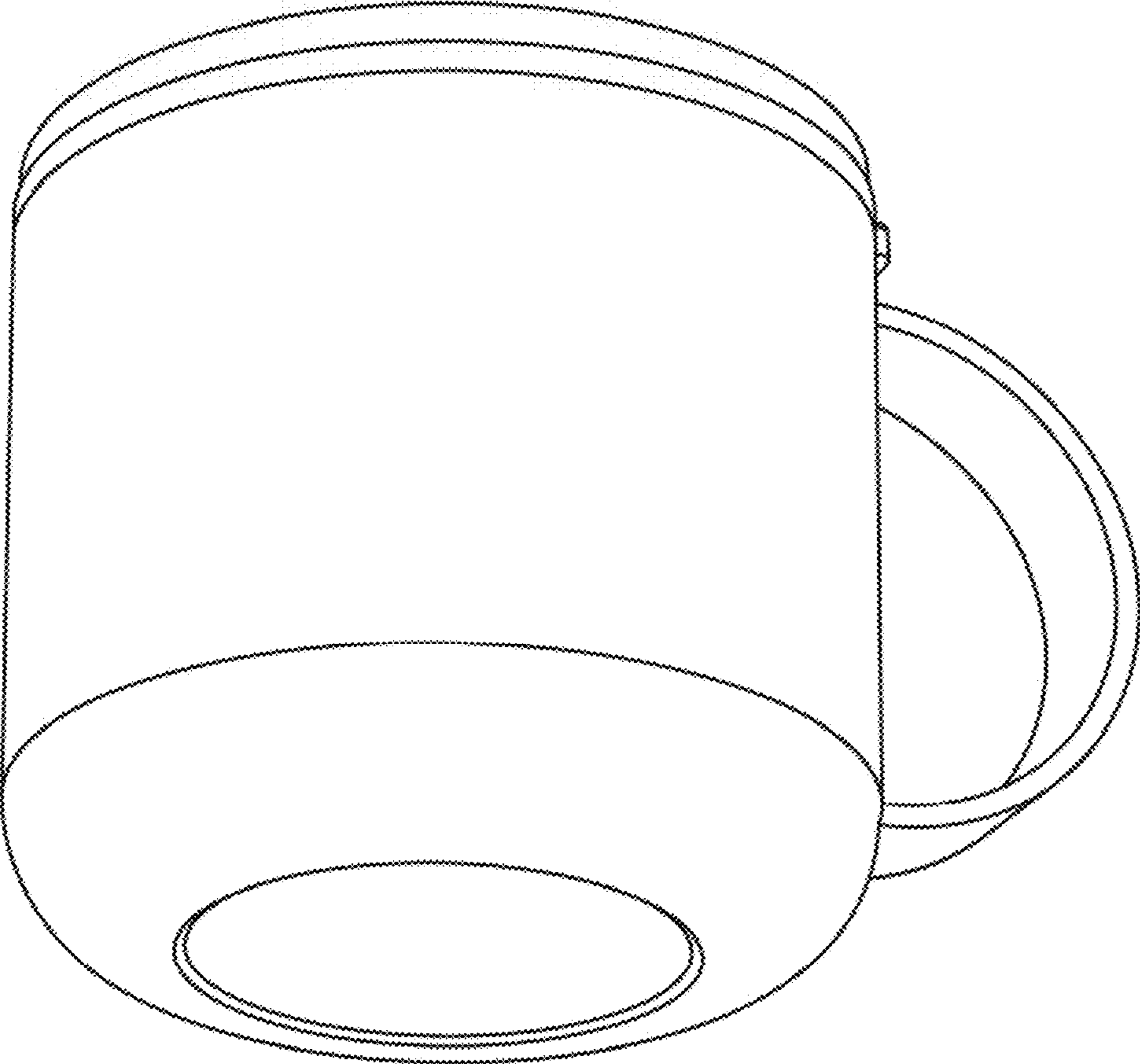


Fig.4

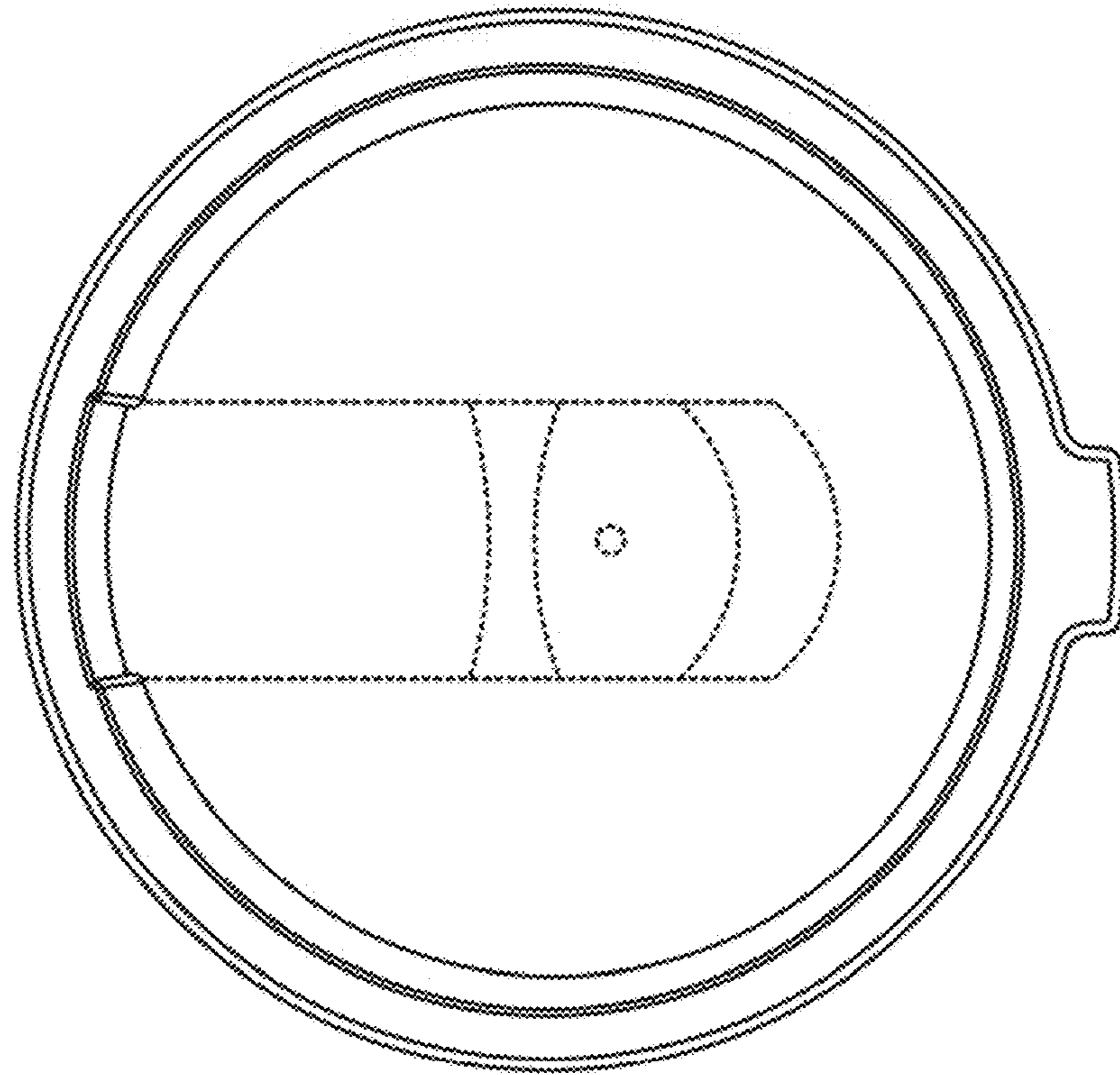


Fig.5

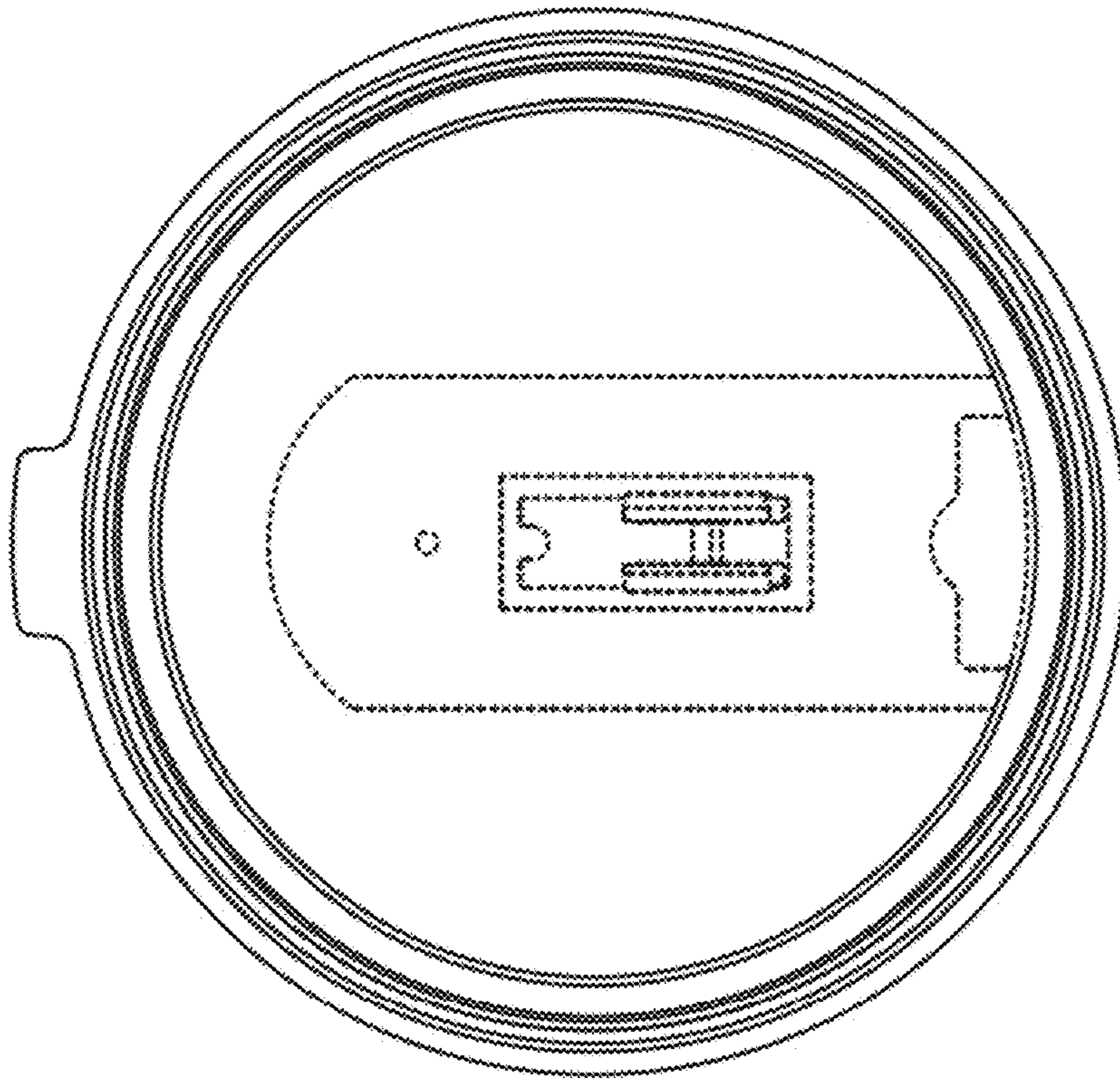


Fig.6