



US00D944598S

(12) **United States Design Patent**
Von Hoene

(10) **Patent No.:** **US D944,598 S**
(45) **Date of Patent:** **** Mar. 1, 2022**

(54) **JIGGER**

(71) Applicant: **Clifford J. Von Hoene**, Georgetown, IN (US)

(72) Inventor: **Clifford J. Von Hoene**, Georgetown, IN (US)

(**) Term: **15 Years**

(21) Appl. No.: **29/702,850**

(22) Filed: **Aug. 22, 2019**

(51) **LOC (13) Cl.** **07-01**

(52) **U.S. Cl.**
USPC **D7/523**; D7/531

(58) **Field of Classification Search**
USPC D7/507, 509, 510, 511, 529, 531, 532, D7/523, 392.1, 296.1, 396.2, 300.1, 608; D3/202; D9/449, 435, 436, 440, 450
CPC A47G 19/22; A47G 19/2288; A47G 19/2205; A47J 41/0077; A47J 41/0088
See application file for complete search history.

(56) **References Cited**

U.S. PATENT DOCUMENTS

D315,532 S	*	3/1991	Belokin, Jr.	D11/146
D576,072 S	*	9/2008	Jones	D11/144
D578,927 S	*	10/2008	Brandstatter	D11/146
D583,624 S	*	12/2008	Silvers	D7/396.2

D586,622 S	*	2/2009	Silvers	D7/509
D632,997 S	*	2/2011	Correia	D11/143
D633,820 S	*	3/2011	Correia	D11/143
D673,812 S	*	1/2013	Hauser	D7/523
D705,608 S	*	5/2014	Wolhender	D7/523
D884,308 S	*	5/2020	Brown	D1/122
D903,228 S	*	12/2020	Monaghan	D1/122
D903,229 S	*	12/2020	Stevens	D1/122
2010/0050766 A1	*	3/2010	Silvers	G01F 19/0073/426

OTHER PUBLICATIONS

<https://www.youtube.com/watch?v=d0fTESAAN84> (Year: 2014).*

* cited by examiner

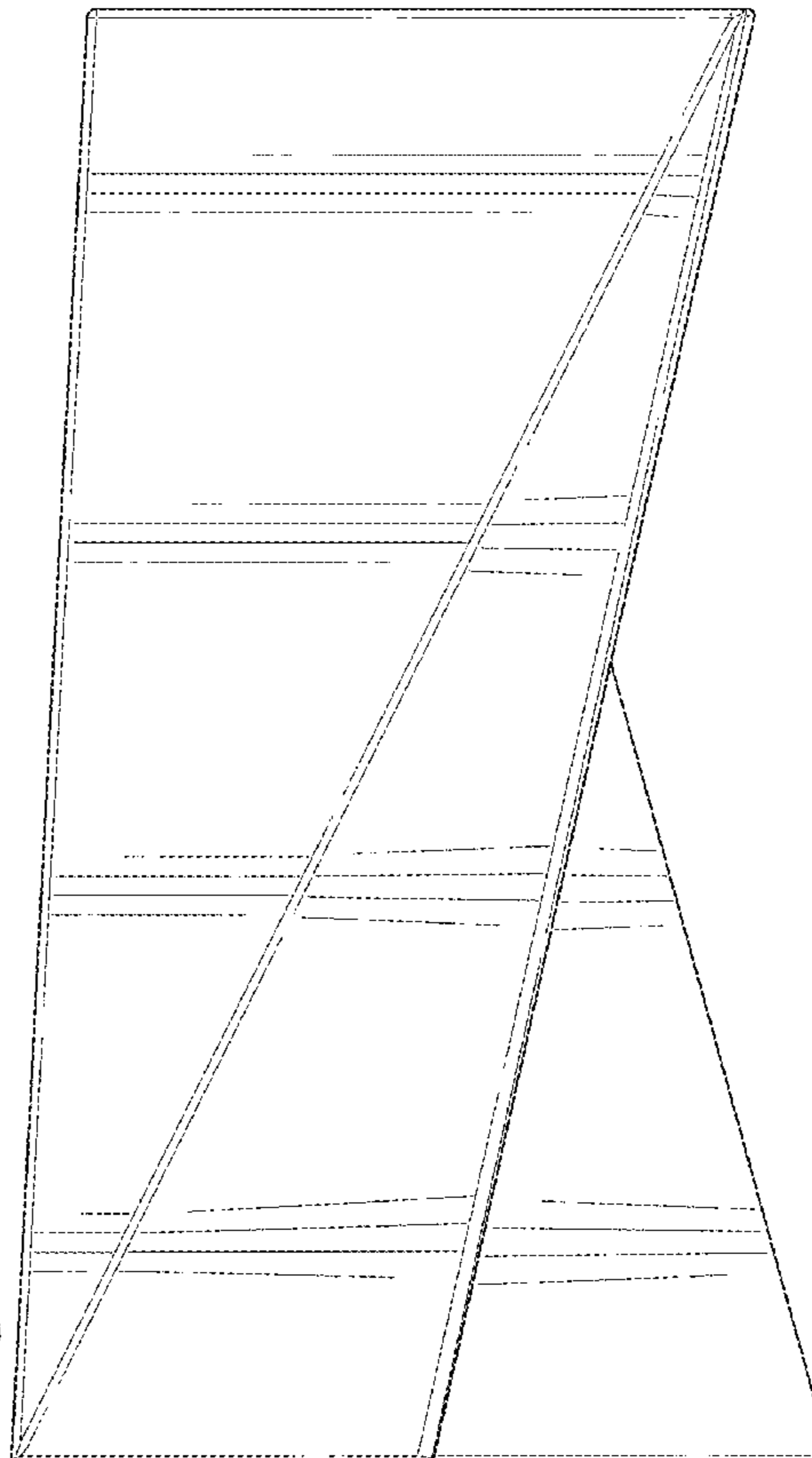
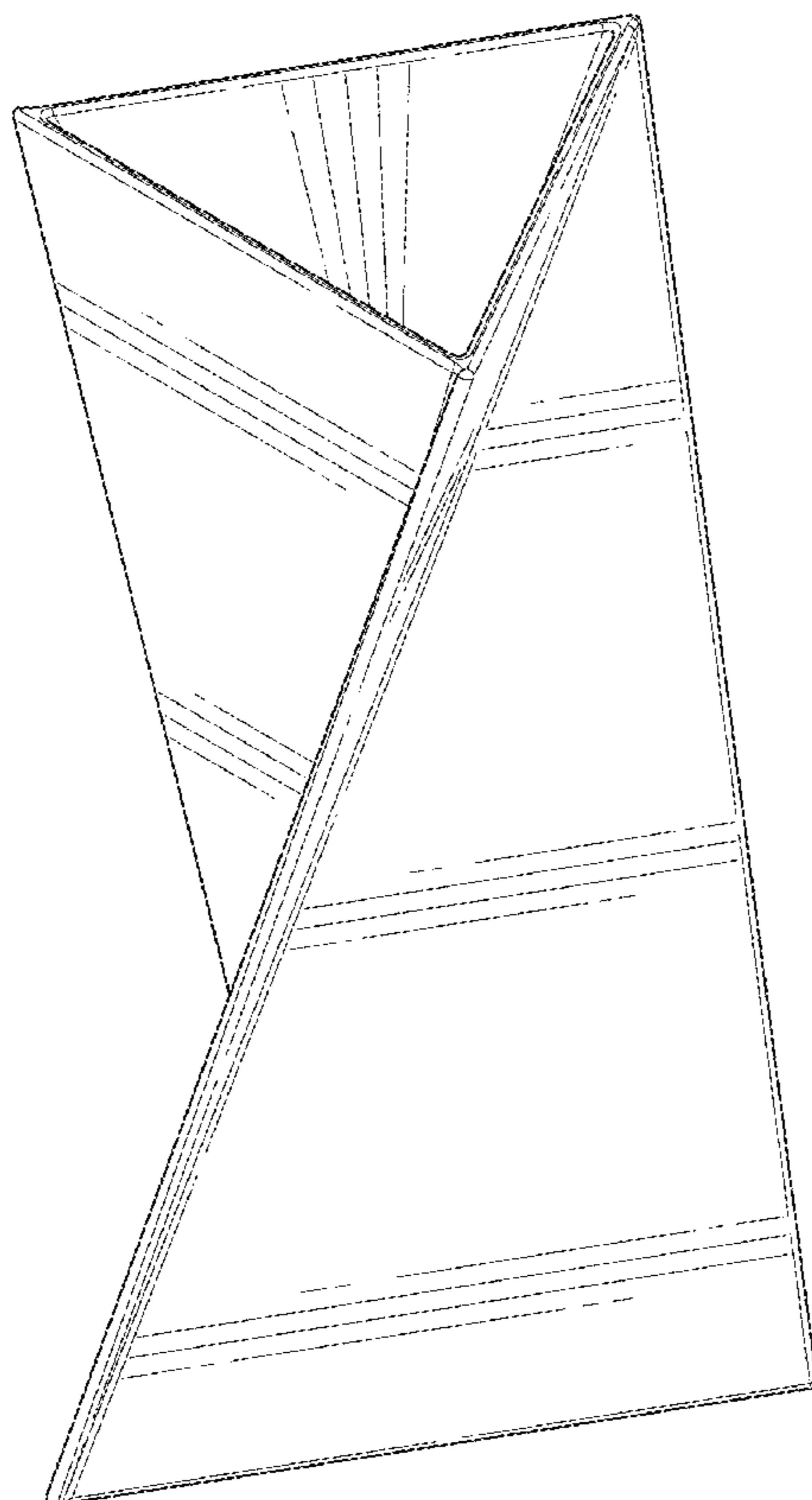
Primary Examiner — Jae Liang
(74) *Attorney, Agent, or Firm* — Mitchell Law PLLC; Matthew W. Mitchell

(57) **CLAIM**
The ornamental design for a jigger, as shown.

DESCRIPTION

FIG. 1 is a front isometric view of a jigger of the present invention;
FIG. 2 is a left-side view thereof;
FIG. 3 is a right side view thereof;
FIG. 4 is a front view thereof;
FIG. 5 is a rear view thereof; and,
FIG. 6 is a top plan view thereof.

1 Claim, 6 Drawing Sheets



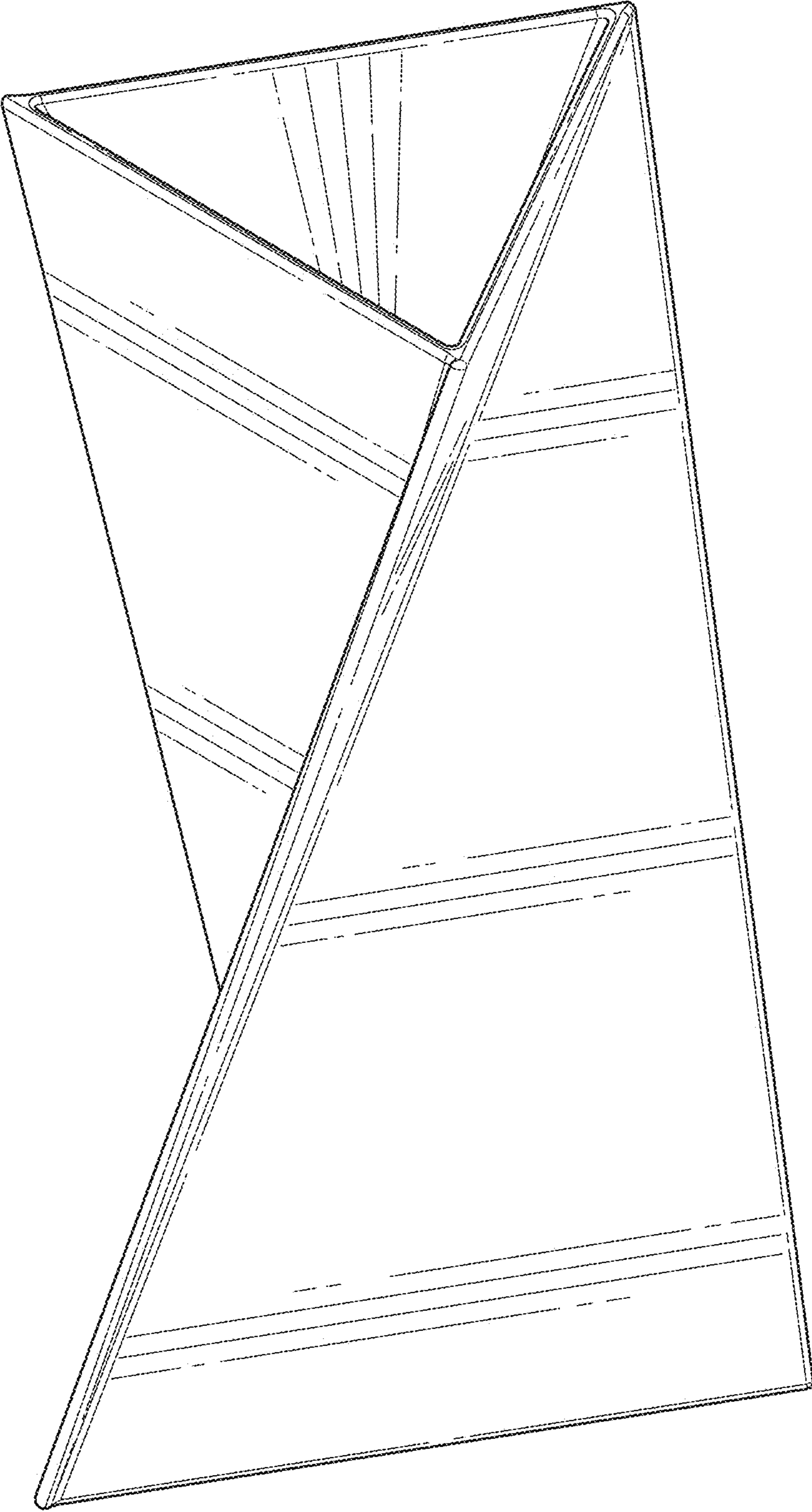


FIG. 1

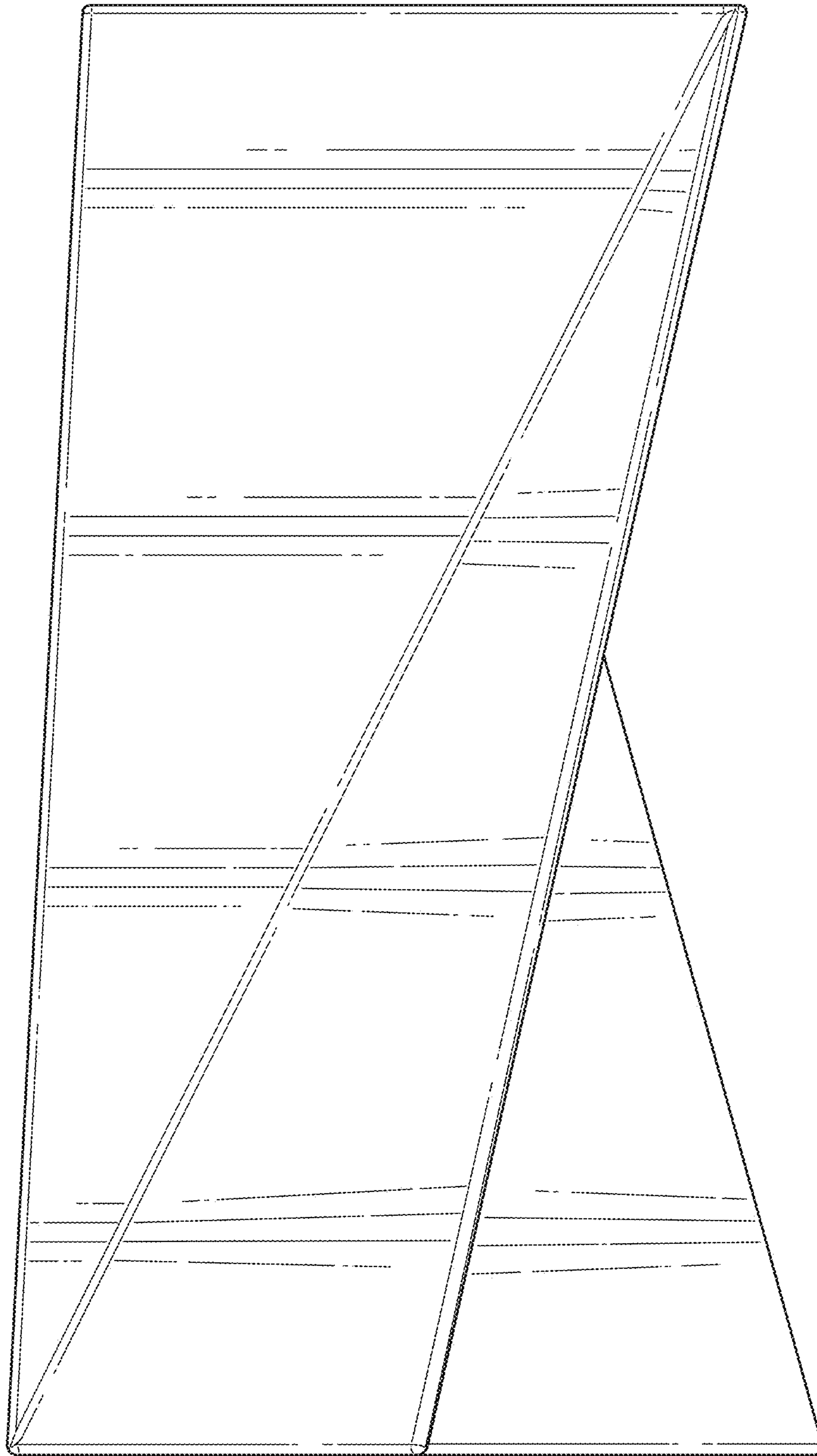


FIG. 2

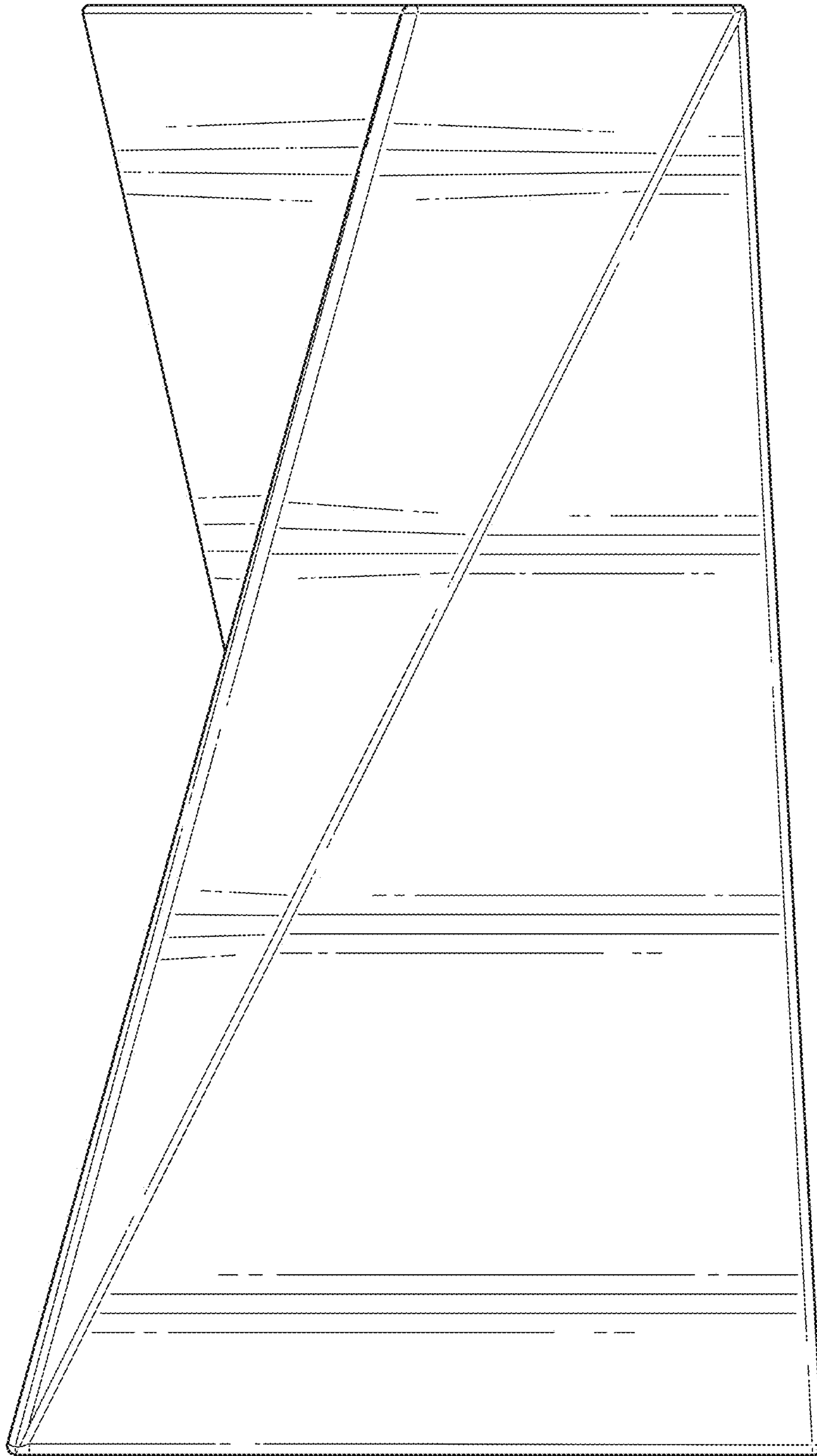


FIG. 3

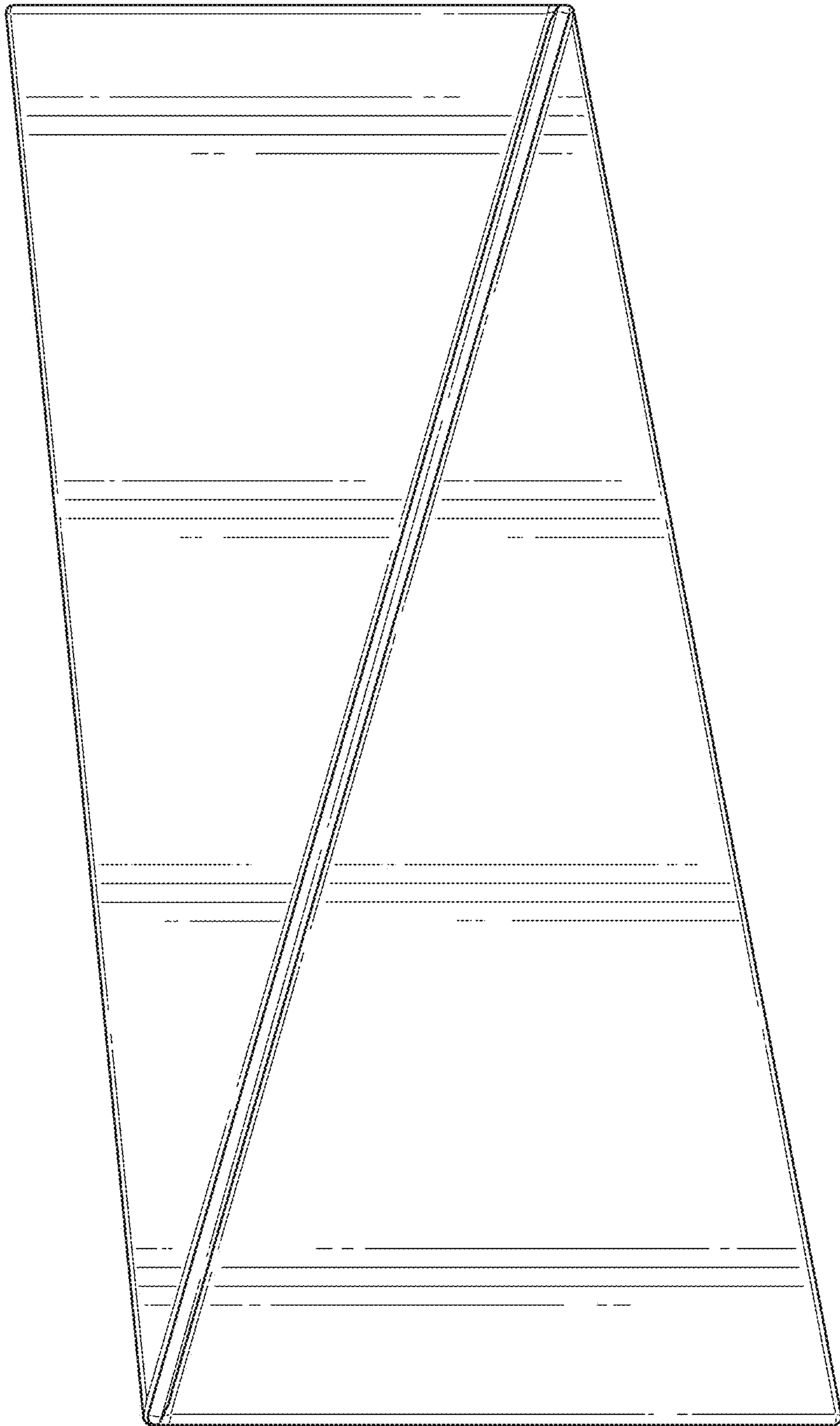


FIG. 4

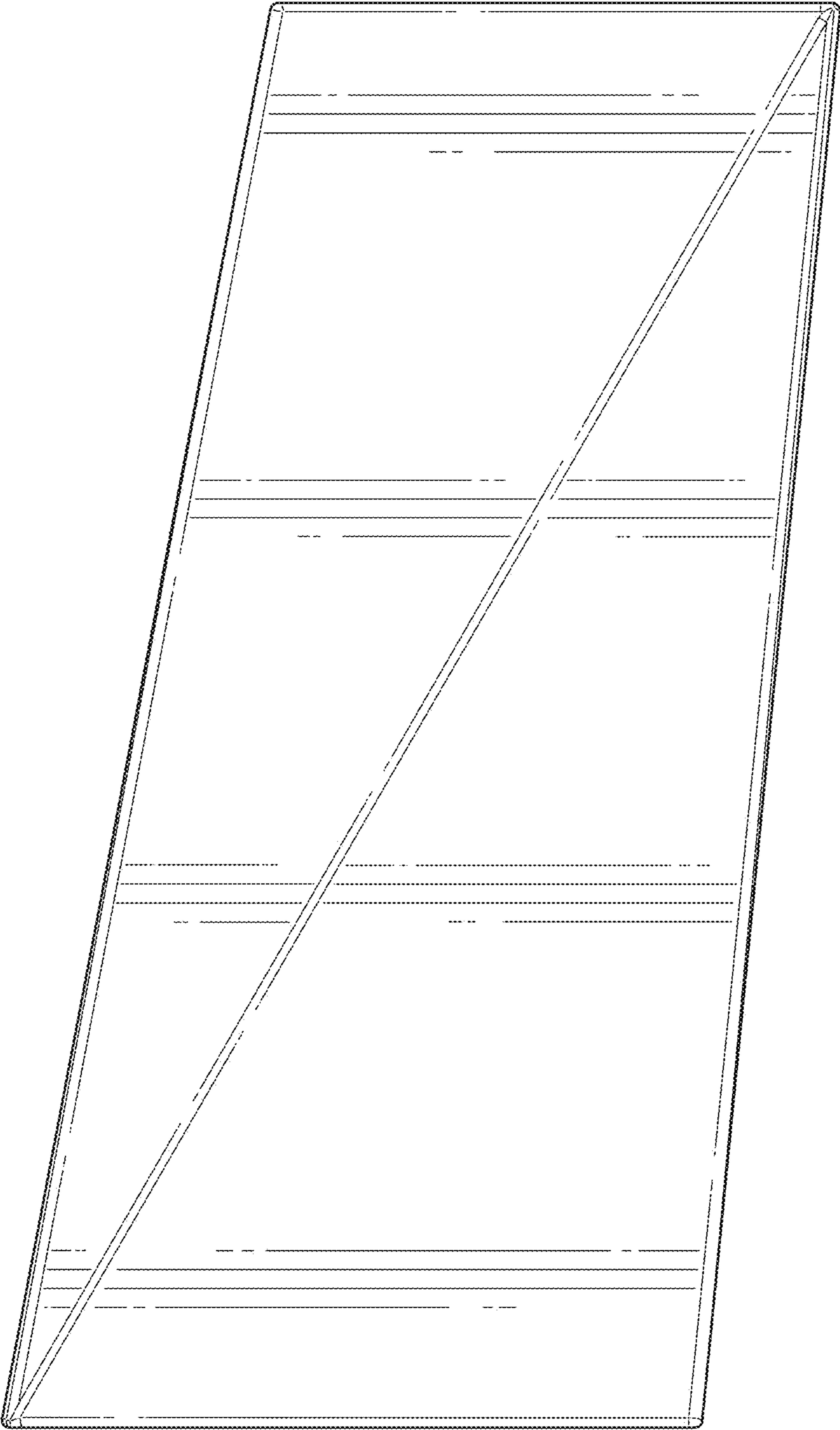


FIG. 5

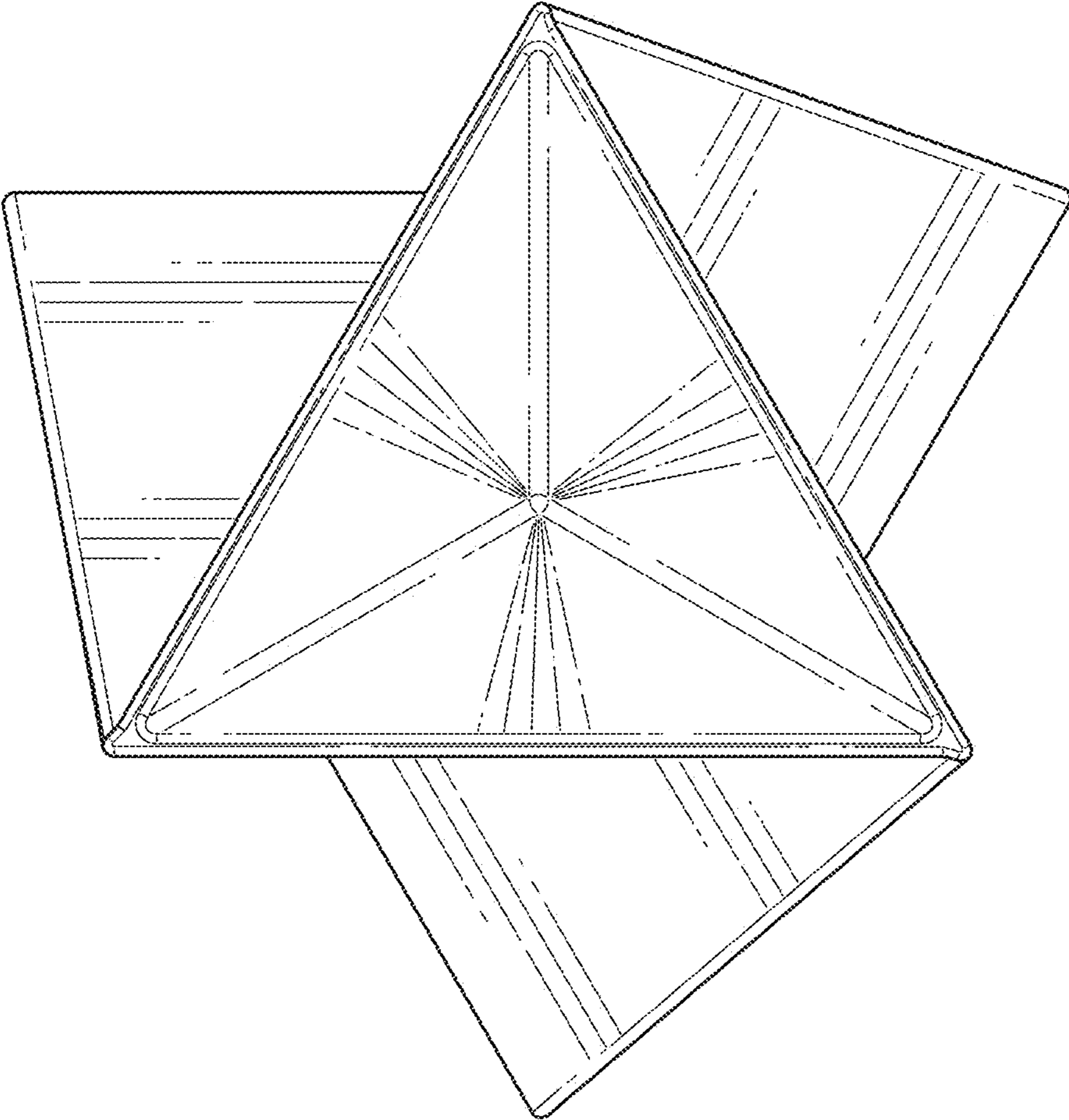


FIG. 6