



US00D944596S

(12) **United States Design Patent** (10) **Patent No.:** **US D944,596 S**  
**Hoffmann et al.** (45) **Date of Patent:** **\*\* Mar. 1, 2022**

(54) **DRINKWARE**

19/2255; A47G 19/2266; A47G 19/2288;  
 A47G 23/0208; A47G 23/0216; A47G  
 23/0241; A47G 23/0258; A47G 23/0266;  
 B65B 7/2821; B65B 7/2828

(71) Applicant: **Disney Enterprises, Inc.**, Burbank, CA (US)

See application file for complete search history.

(72) Inventors: **Marthe Hoffmann**, Los Angeles, CA (US); **Daria Vinogradova**, Lake Balboa, CA (US); **Kaitlyn Rosette**, Los Angeles, CA (US)

(56) **References Cited**

U.S. PATENT DOCUMENTS

(73) Assignee: **Disney Enterprises, Inc.**, Burbank, CA (US)

D111,253 S	9/1938	Grasty	
D217,435 S	5/1970	Wire	
D267,076 S	11/1982	Hurtig	
D320,155 S	9/1991	Plochman, III et al.	
D451,812 S	12/2001	Colonna de Giovellina	
D489,940 S	* 5/2004	Gluck	D7/509
D491,069 S	6/2004	Heliste et al.	
D493,332 S	7/2004	Bin	
D537,726 S	3/2007	Elgebrant	
D537,727 S	3/2007	Hutton	
D539,651 S	4/2007	Snyder	
D548,525 S	* 8/2007	Gibbons	D7/510
D548,607 S	8/2007	Langbein et al.	
D558,583 S	1/2008	Langbein et al.	
D577,599 S	9/2008	Moretti	
D602,785 S	10/2009	Rothberg et al.	
D618,964 S	7/2010	Eisenhardt	
D620,355 S	7/2010	Nardini	
D625,955 S	10/2010	Yang et al.	
D638,658 S	5/2011	Staton	
D649,879 S	12/2011	Gullickson et al.	
D652,256 S	1/2012	Eyal	
D656,405 S	3/2012	Byron	
8,297,462 B1	10/2012	Joyce	
D688,093 S	8/2013	Roth et al.	
D695,616 S	12/2013	Li	
D696,958 S	1/2014	Rex	
D704,986 S	5/2014	Manies	
D717,661 S	11/2014	McIntire et al.	
D722,804 S	2/2015	Kay et al.	
D723,333 S	3/2015	Lin	
D724,384 S	3/2015	Donovan et al.	
D739,757 S	* 9/2015	Newton	D9/552
D741,659 S	* 10/2015	Morris, II	D7/529
D741,720 S	10/2015	Anandani	
D756,234 S	5/2016	Orset	
D759,500 S	* 6/2016	Bell	D9/667
D760,088 S	6/2016	Kaye et al.	
D766,093 S	9/2016	Otani	
D767,390 S	9/2016	Miksovsky et al.	
D767,405 S	9/2016	Orset	
D780,588 S	3/2017	Miller et al.	

(\*\*) Term: **15 Years**

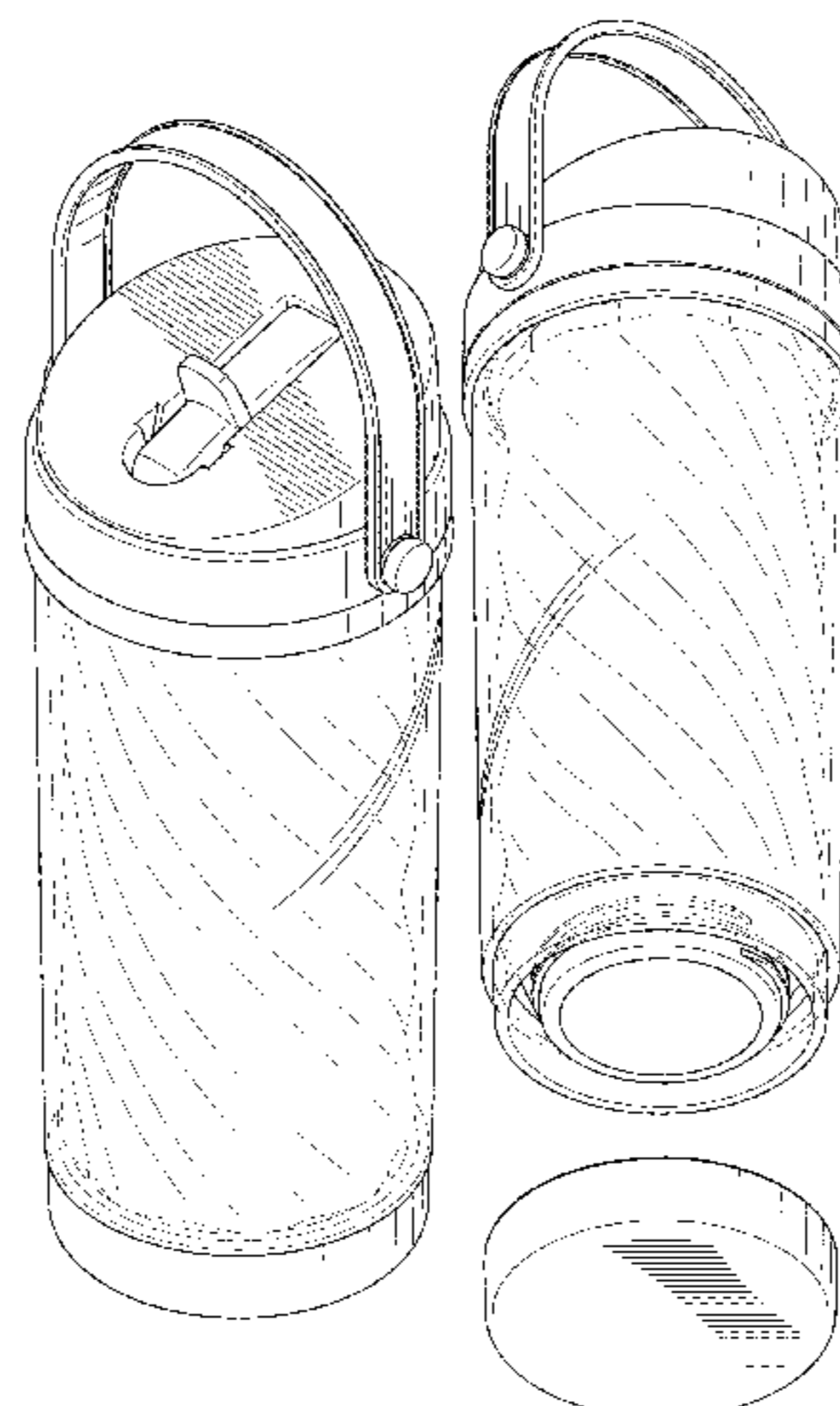
(21) Appl. No.: **29/685,443**

(22) Filed: **Mar. 28, 2019**

(51) **LOC (13) Cl.** ..... **07-01**

(52) **U.S. Cl.**  
USPC ..... **D7/510; D7/536**

(58) **Field of Classification Search**  
 USPC ..... D9/434-436, 439, 440, 441, 443, 449,  
 D9/452, 500-504, 505, 507, 509-511,  
 D9/516, 519, 520, 527, 530, 535, 537,  
 D9/539, 540-542, 549, 550, 551-554,  
 D9/556, 558-560, 564-566, 571,  
 D9/572-575, 644, 660-664, 655-659,  
 D9/683, 716, 742, 772, 777; D7/213,  
 D7/300, 300.1, 300.2, 318, 392, 392.1,  
 D7/396.2, 396.3, 396.4, 396.6, 387, 412,  
 D7/413, 513-516, 519, 522, 523, 529,  
 D7/531-535, 536-538, 584, 591, 598,  
 D7/608, 619.1, 624.2, 628, 629, 705, 900;  
 D24/196, 197  
 CPC .... A47J 41/00; A47J 41/0011; A47J 41/0027;  
 A47J 41/0083; A47J 41/0088; A47J  
 41/02; A47J 41/026; A47J 43/042; B65D  
 50/061; B65D 39/0047; B65D 39/0058;  
 B65D 39/02; B65D 39/06; B65D 1/0292;  
 B65D 81/00; B65D 1/00; B65D 1/02;  
 B65D 1/0223; B65D 51/24; B65D  
 2543/00231; A47G 19/22; A47G 19/2205;  
 A47G 19/2211; A47G 19/2227; A47G





D781,654 S	3/2017	Marquard et al.	
D786,012 S *	5/2017	Hein .....	D7/396.2
D788,593 S	6/2017	Dalton	
D791,549 S	7/2017	Goodwin et al.	
D795,009 S	8/2017	Alprin et al.	
D798,160 S	9/2017	Miller et al.	
D799,320 S	10/2017	Goodwin et al.	
D805,350 S	12/2017	Cetera et al.	
D806,468 S *	1/2018	Goodwin .....	D7/392.1
D810,500 S	2/2018	Maple	
D813,668 S	3/2018	Miller	
D814,308 S	4/2018	Aebi	
D815,908 S	4/2018	Kauss et al.	
D816,397 S	5/2018	Karl, IV et al.	
D830,772 S	10/2018	Rosette et al.	
D844,376 S	4/2019	Rosette et al.	
D867,812 S *	11/2019	Lane .....	D7/392
D872,522 S *	1/2020	Diener .....	D7/392.1
D872,524 S *	1/2020	Bo .....	D7/392.1
D883,041 S *	5/2020	Park .....	D7/608
D885,129 S	5/2020	Rosette et al.	
D885,823 S *	6/2020	Ayres .....	D7/392
D885,837 S *	6/2020	Bo .....	D7/510
D886,517 S *	6/2020	Bo .....	D7/392.1
D894,671 S *	9/2020	Huang .....	D7/392.1
D894,672 S *	9/2020	Huang .....	D7/392.1
D895,361 S *	9/2020	Wang .....	D7/510
D897,761 S *	10/2020	Zhang .....	D7/392.1
D899,848 S *	10/2020	Zhang .....	B65D 51/242
			D7/392.1
D900,539 S *	11/2020	Yao .....	D7/392.1
D903,405 S *	12/2020	Zhang .....	A47G 19/2266
			D7/392.1
D905,498 S *	12/2020	Zhang .....	D7/392.1
D906,042 S *	12/2020	Chen .....	D7/392.1
D911,100 S *	2/2021	Chen .....	D7/392.1
2009/0120946 A1 *	5/2009	Hung .....	A47G 19/2266
			220/707
2009/0266736 A1	10/2009	Sprishen et al.	
2016/0318693 A1 *	11/2016	Hein .....	B65D 51/242
2018/0282030 A1	10/2018	Anderl	

FOREIGN PATENT DOCUMENTS

CA	180105	* 12/2018
CA	179015 S	2/2019
CA	185397 S	2/2019
CA	185433 S	2/2019
CN	303283625	* 7/2015
CN	303558772	* 1/2016
CN	304480602	* 1/2018
CN	201830012569.9	11/2018
CN	201830304827.0	2/2019
CN	201830305213.4	2/2019
CN	306124414	* 10/2020
JP	D1619569	* 12/2018
KR	300878193.0000	* 10/2016

OTHER PUBLICATIONS

Brita, “Brita 23.7 Ounce Hard Sided Water Bottle,” Nov. 12, 2012, Amazon.com, [www.amazon.com/dp/B00AB8NOPY](http://www.amazon.com/dp/B00AB8NOPY) (Year: 2012).\*

Playtex Baby, “Platex Baby Nurser Baby Bottles,” Nov. 21, 2014, Amazon.ca, [www.amazon.ca/dp/B00PY50DC6](http://www.amazon.ca/dp/B00PY50DC6) (Year: 2014).\*

4imprint, “Ice Chameleon Tumbler with Straw,” Sep. 2014, 4imprint USA, <https://4imprint.com/product/121314/Ice-Chameleon-Tumbler-with-Straw-16-oz> (Year: 2014).\*

Thermos, “Thermos Funtainer 12 Ounce Stainless Steel Kids Bottle,” Jan. 19, 2016, [www.amazon.com/dp/B01ATVJXIO](http://www.amazon.com/dp/B01ATVJXIO) (Year: 2016).\*

Brita, “Brita Plastic Water Filter Bottle,” Dec. 1, 2018, Amazon.com, [www.amazon.com/dp/B07H1F6N2F](http://www.amazon.com/dp/B07H1F6N2F) (Year: 2018).\*

Root7, “Root7 Chameleon Color Changing Bottle,” Dec. 13, 2018, Amazon.com, [www.amazon.com/dp/B07LC1M11W](http://www.amazon.com/dp/B07LC1M11W) (Year: 2018).\*

Disney, “Disney Stitch Color Changing Water Bottle,” Oct. 1, 2018, Amazon.com, [www.amazon.com/dp/B07H7TZJTY](http://www.amazon.com/dp/B07H7TZJTY) (Year: 2018).\*

Bitanga, Mike, “The 12 Best Purifying Water Bottles to Hydrate Safely,” May 8, 2019, HiConsumption, <https://hiconsumption.com/best-purifying-water-bottles/> (Year: 2019).\*

<http://www.paddypallin.com.au/nalgene-wide-mouth-hdpe-square-bottles.html>, Nalgene Wide Mouth HDPE Square Bottles Apr. 13, 2015.

European Register of Community Designs Certificate of Registration No. 004661338-0001, Registration Date Jan. 10, 2018.

European Register of Community Designs Certificate of Registration No. 004661338-0002, Registration Date Jan. 10, 2018.

European Register of Community Designs Certificate of Registration No. 004661338-0003, Registration Date Jan. 10, 2018.

European Register of Community Designs Certificate of Registration No. 004661338-0004, Registration Date Jan. 10, 2018.

European Register of Community Designs Certificate of Registration No. 004661338-0005, Registration Date Jan. 10, 2018.

Design U.S. Appl. No. 29/610,537, Entitled “Bottle”, filed Jul. 13, 2017.

Japanese Design Patent Application No. 2018-000414, Entitled “Bottle”, Filed Feb. 20, 2018.

Japanese Design Patent Application No. 2018-000381, Entitled “Bottle”, Filed Feb. 20, 2018.

Canada Design Patent Application No. 179015, Entitled “Bottle”, Filed Jan. 4, 2018.

Chinese Design Patent Application No. 201830012569.9, Entitled “Bottle”, Filed Jan. 11, 2018.

Chinese Design Patent Application No. 201830304827.0, Entitled “Bottle Container”, Filed Jan. 11, 2018.

Chinese Design Patent Application No. 201830305213.4, Entitled “Bottle”, Filed Jan. 11, 2018.

Japanese Design Patent Application No. 2018-000387, Entitled “Bottle”, Filed Jan. 12, 2018.

Canada Design Patent Application No. 185397, Entitled “Bottle”, Filed Jan. 4, 2018.

Canada Design Patent Application No. 185433, Entitled “Bottle”, Filed Jan. 4, 2018.

Design U.S. Appl. No. 29/747,322, Entitled “Drinkware”, filed Aug. 21, 2020.

European Register of Community Designs Certificate of Registration No. 008317945-0001, Registration Date Dec. 11, 2020.

European Register of Community Designs Certificate of Registration No. 008317945-0002, Registration Date Dec. 11, 2020.

Chinese Design Patent Application No. 202130097514.4, Entitled “Drinkware”, Filed Feb. 18, 2021.

\* cited by examiner

Primary Examiner — Michelle E. Wilson  
 Assistant Examiner — Arva P Adams  
 (74) Attorney, Agent, or Firm — Patterson + Sheridan, LLP

(57) CLAIM

The ornamental design for a drinkware, as shown and described.

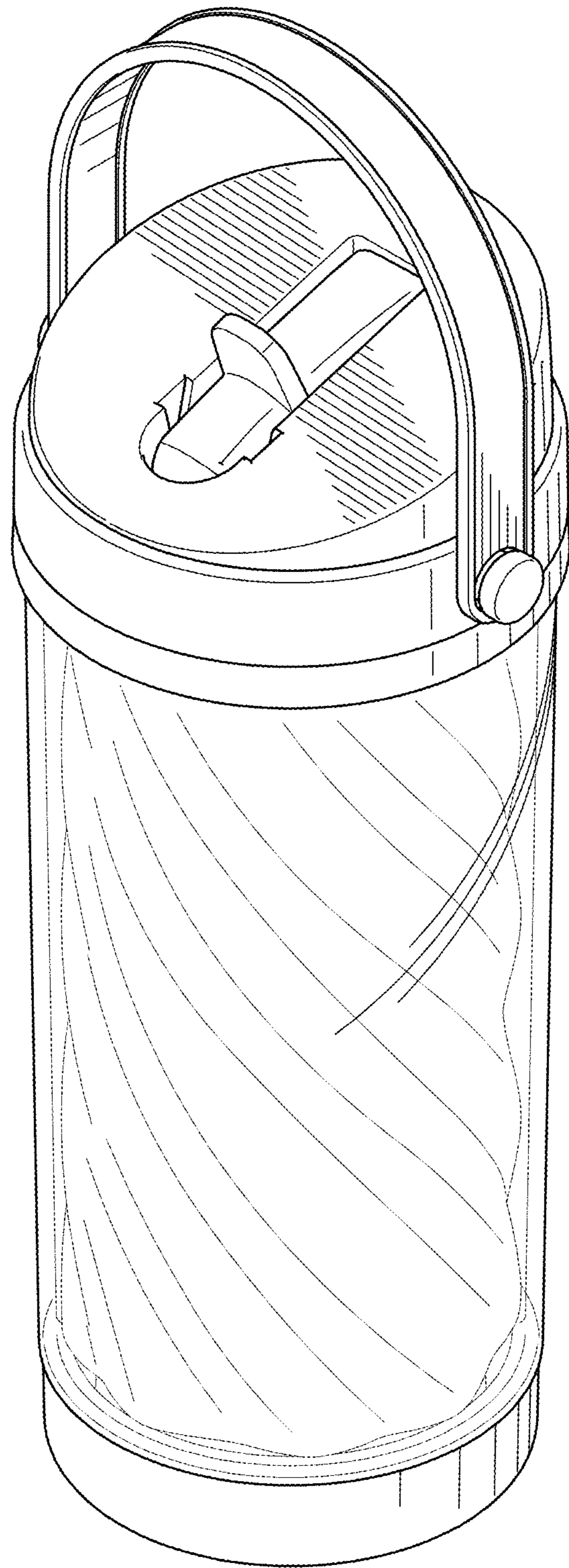
DESCRIPTION

FIG. 1 is a top perspective view of a first embodiment of a drinkware showing our new design;  
 FIG. 2 is a bottom perspective view thereof;  
 FIG. 3 is a front elevational view thereof;  
 FIG. 4 is a right side elevational view thereof;  
 FIG. 5 is a rear elevational view thereof;  
 FIG. 6 is a left side elevational view thereof;  
 FIG. 7 is a top plan view thereof; and  
 FIG. 8 is a bottom plan view thereof.  
 FIG. 9 is a top perspective view of a second embodiment of a drinkware showing our new design;  
 FIG. 10 is a bottom perspective view thereof;

FIG. 11 is a front elevational view thereof;  
FIG. 12 is a right side elevational view thereof;  
FIG. 13 is a rear elevational view thereof;  
FIG. 14 is a left side elevational view thereof;  
FIG. 15 is a top plan view thereof; and  
FIG. 16 is a bottom plan view thereof.  
FIGS. 17 through 21 are front elevational views that illustrate a transition of the first embodiment of the drinkware design to the second embodiment of the drinkware design.  
FIG. 22 is a partially exploded, top perspective view of the first embodiment of the drinkware.  
FIG. 23 is a partially exploded, bottom perspective view of the first embodiment of the drinkware.  
FIG. 24 is a top perspective view of the first embodiment of the drinkware with the handle in a detached position; and,  
FIG. 25 is a front elevational view of the first embodiment of the drinkware with the handle in the detached position.  
The stippling shown in FIGS. 9-14 and 18-21 are provided to illustrate contrast between the portions of the drinkware with stippling and the portions of the drinkware without stippling.  
The appearance of the drinkware design transitions sequentially from the design shown in FIG. 17 to the design shown in FIG. 21. The process or period in which one image transitions to another forms no part of the claimed design.

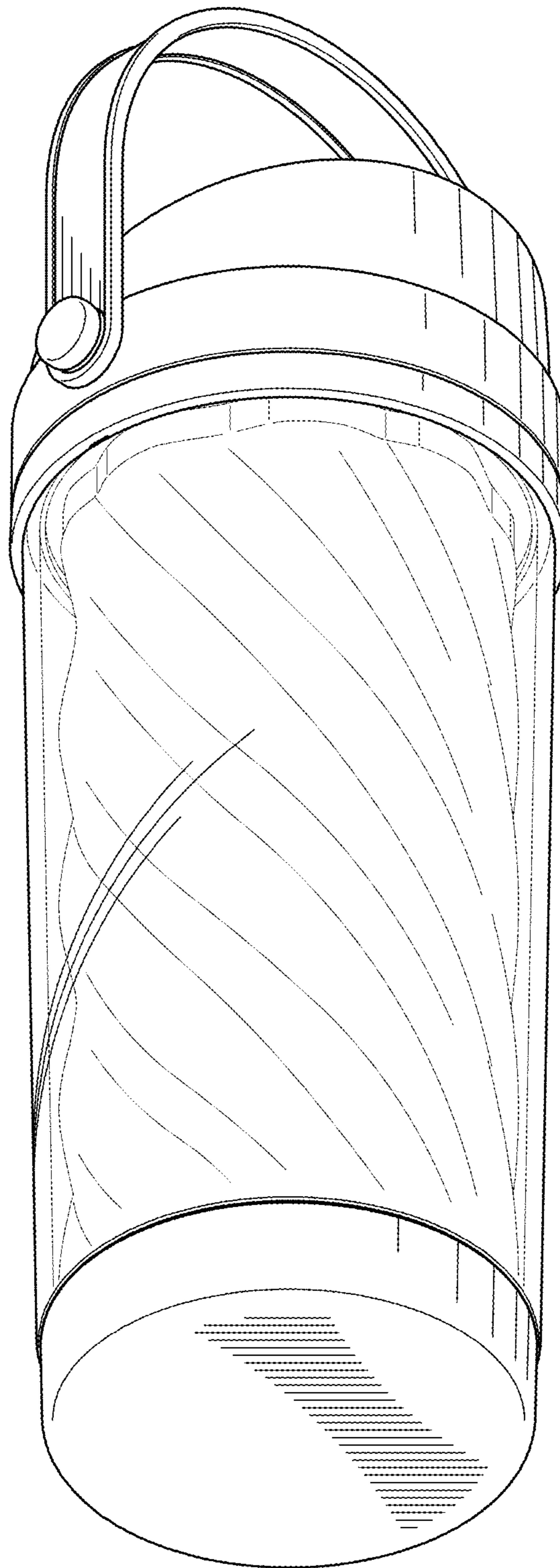
**1 Claim, 23 Drawing Sheets**

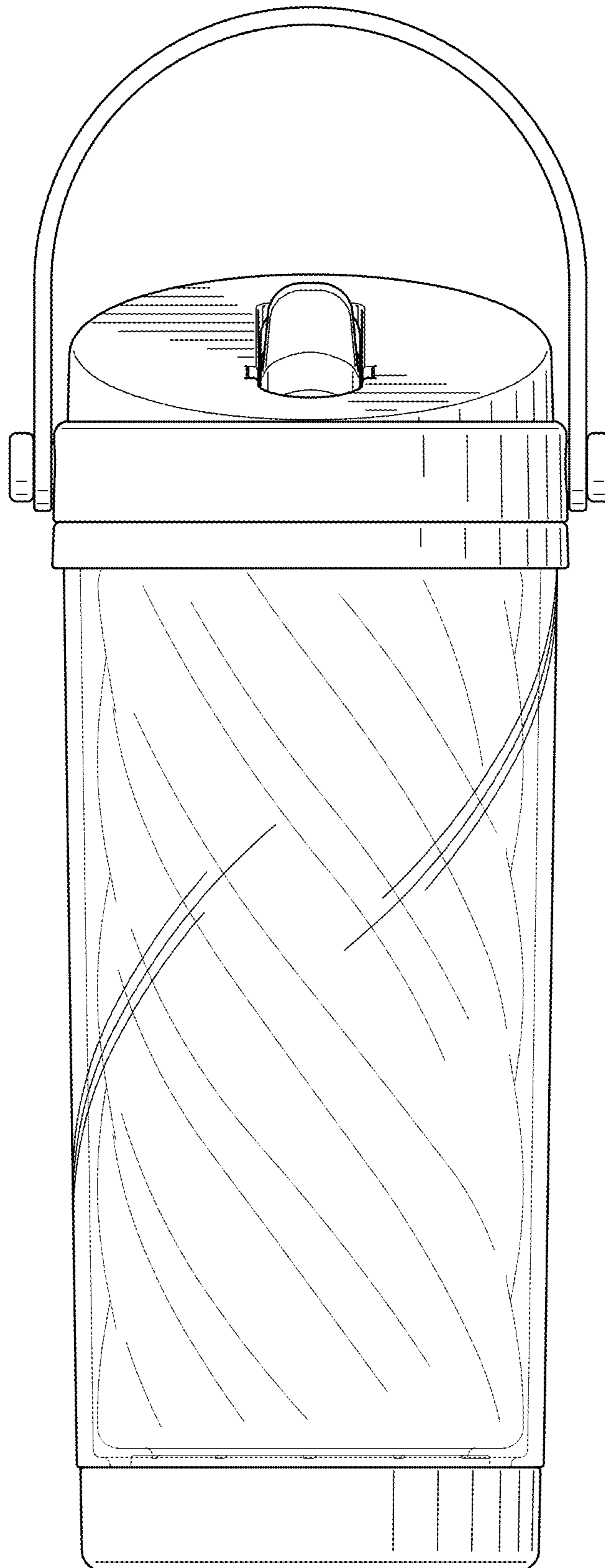




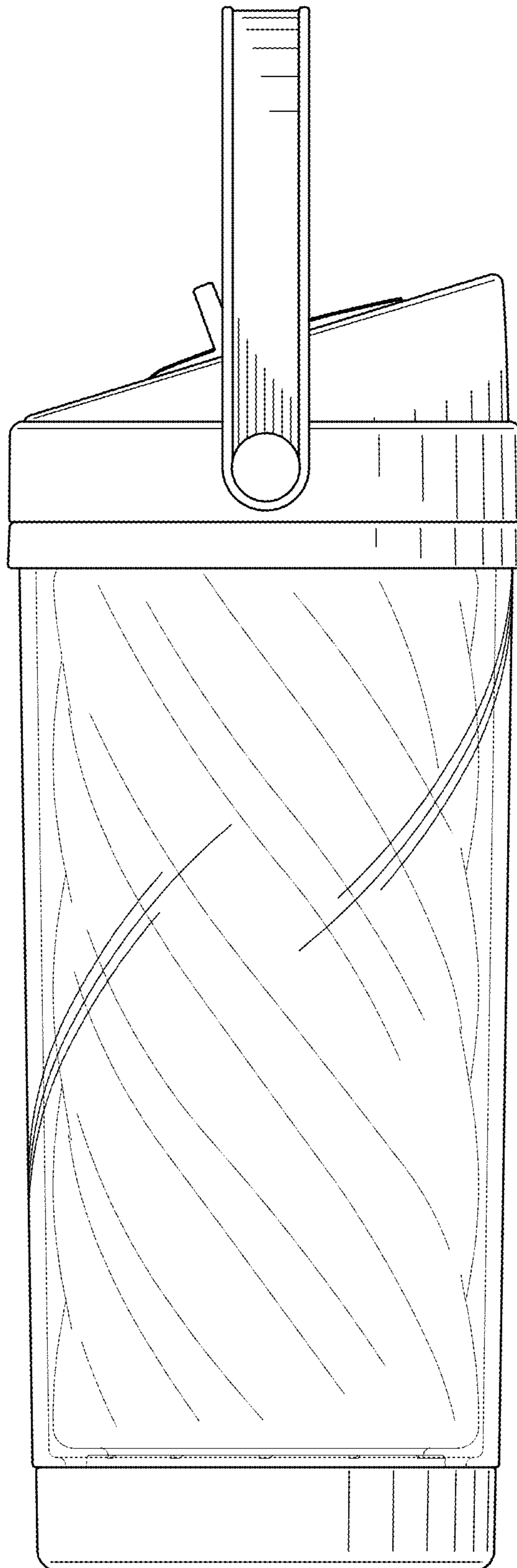
*Fig. 1*

*Fig. 2*

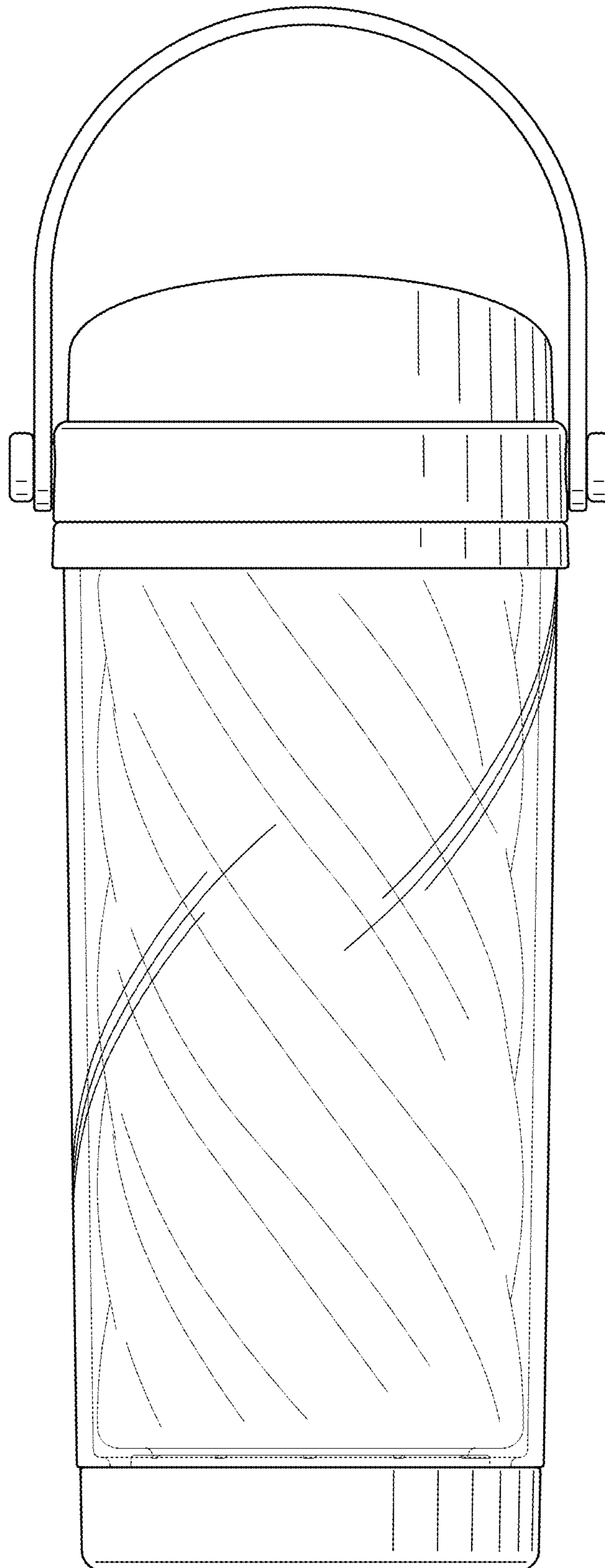




*Fig. 3*

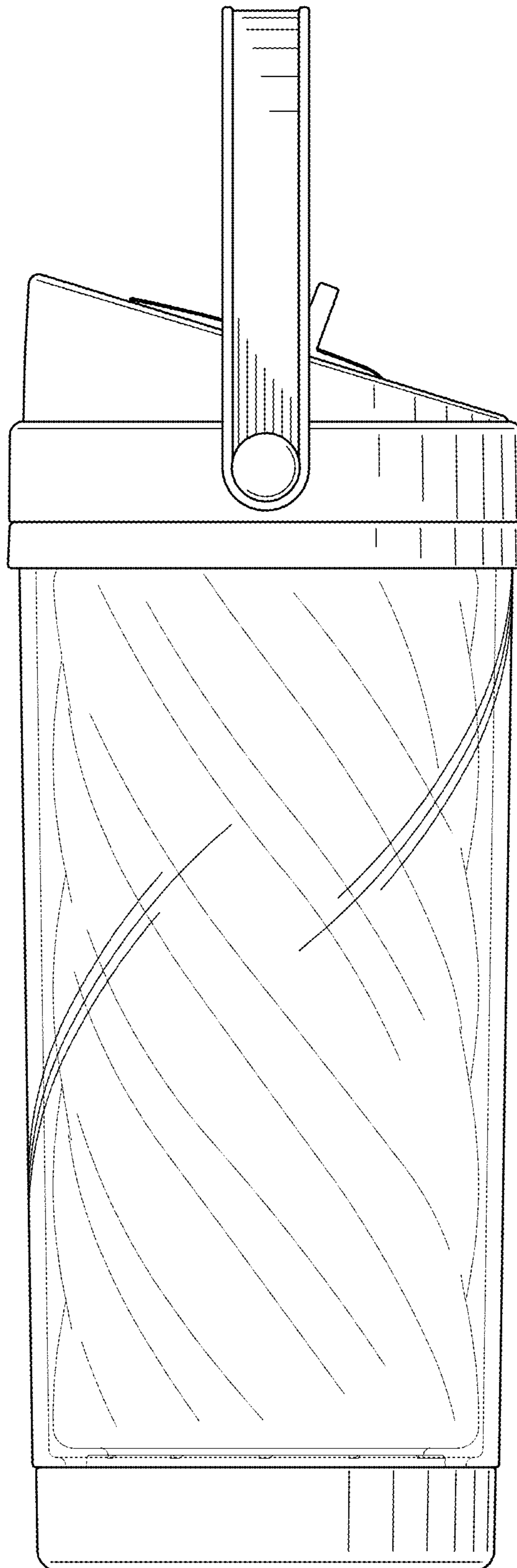


*Fig. 4*



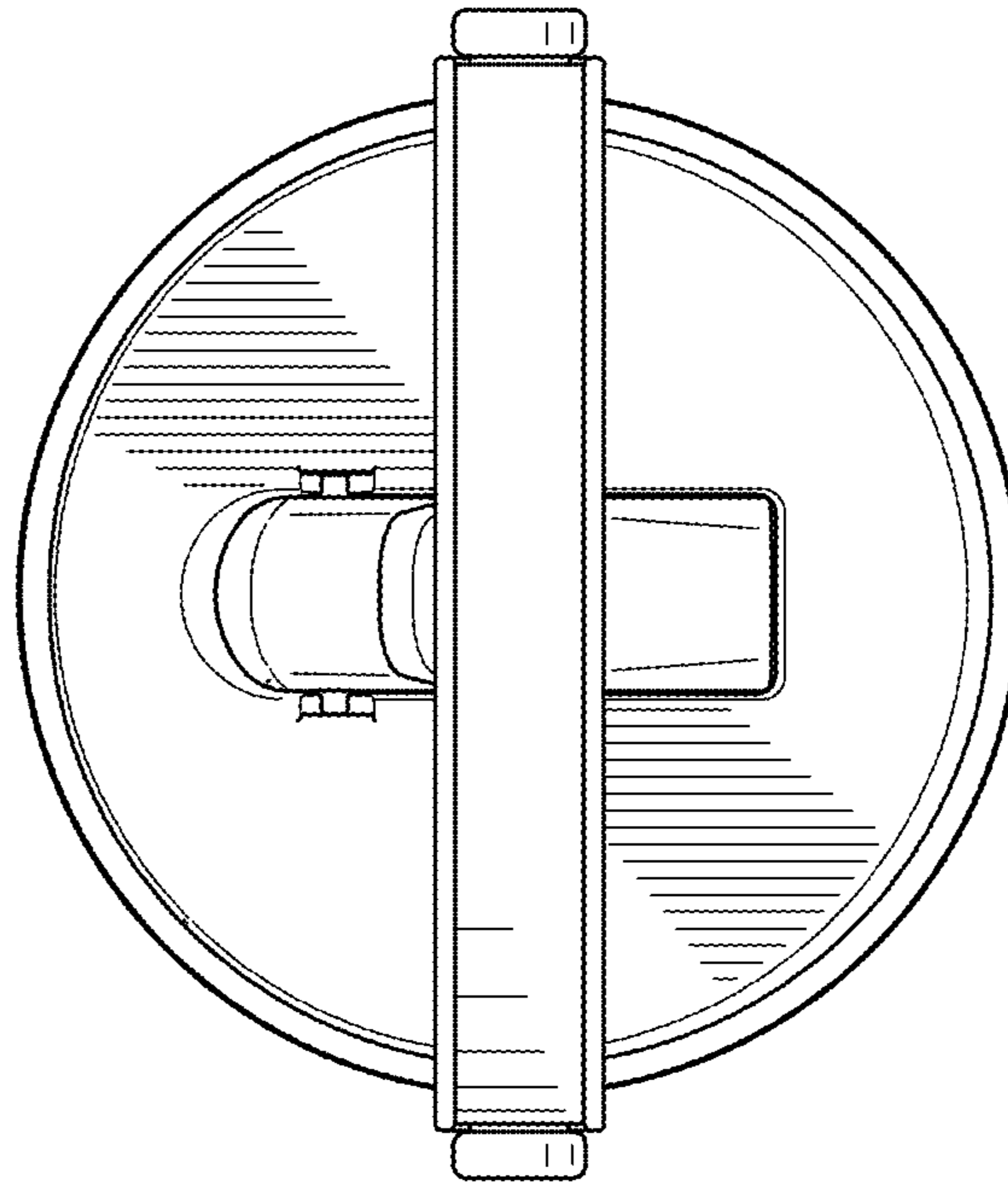
*Fig. 5*



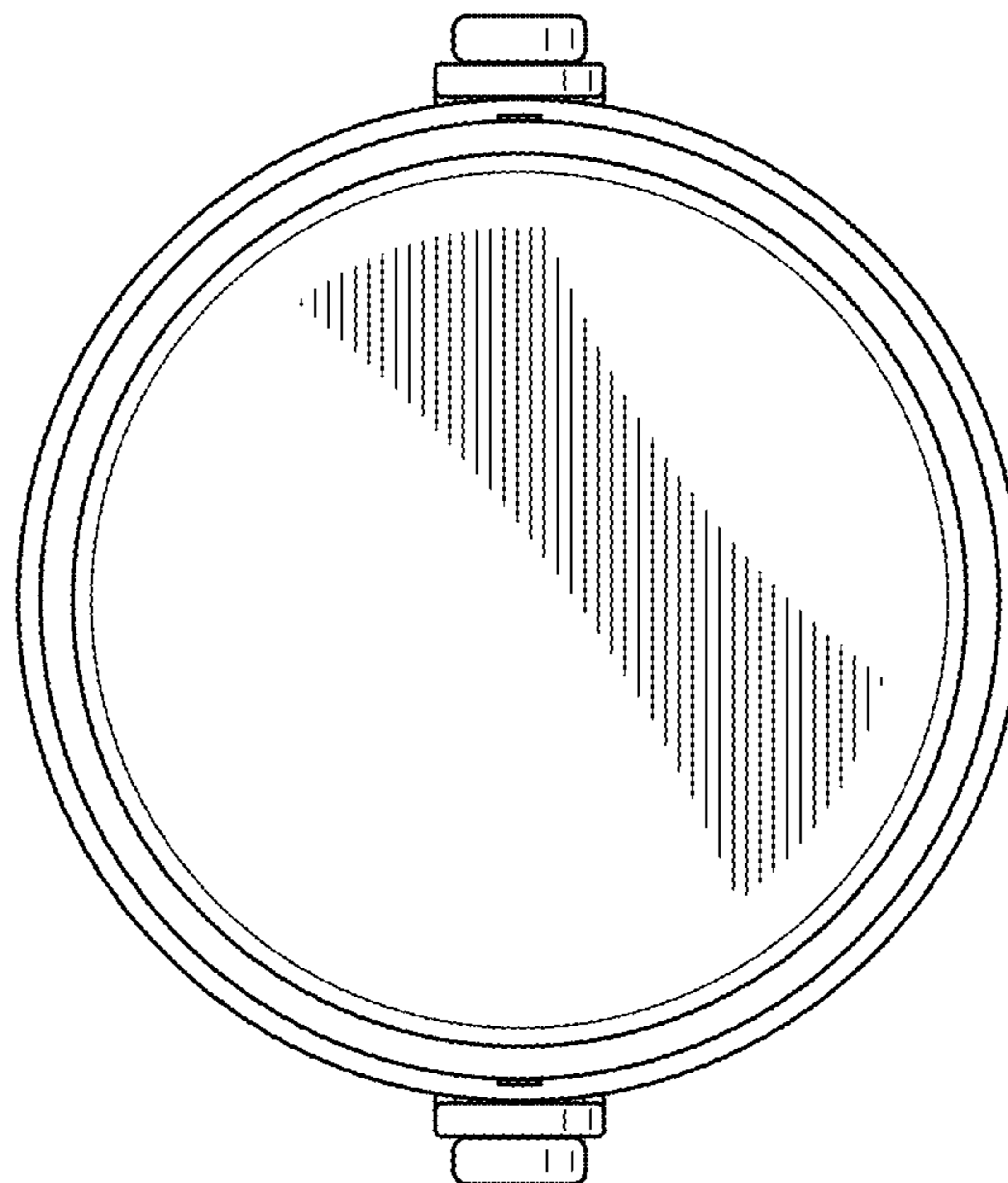


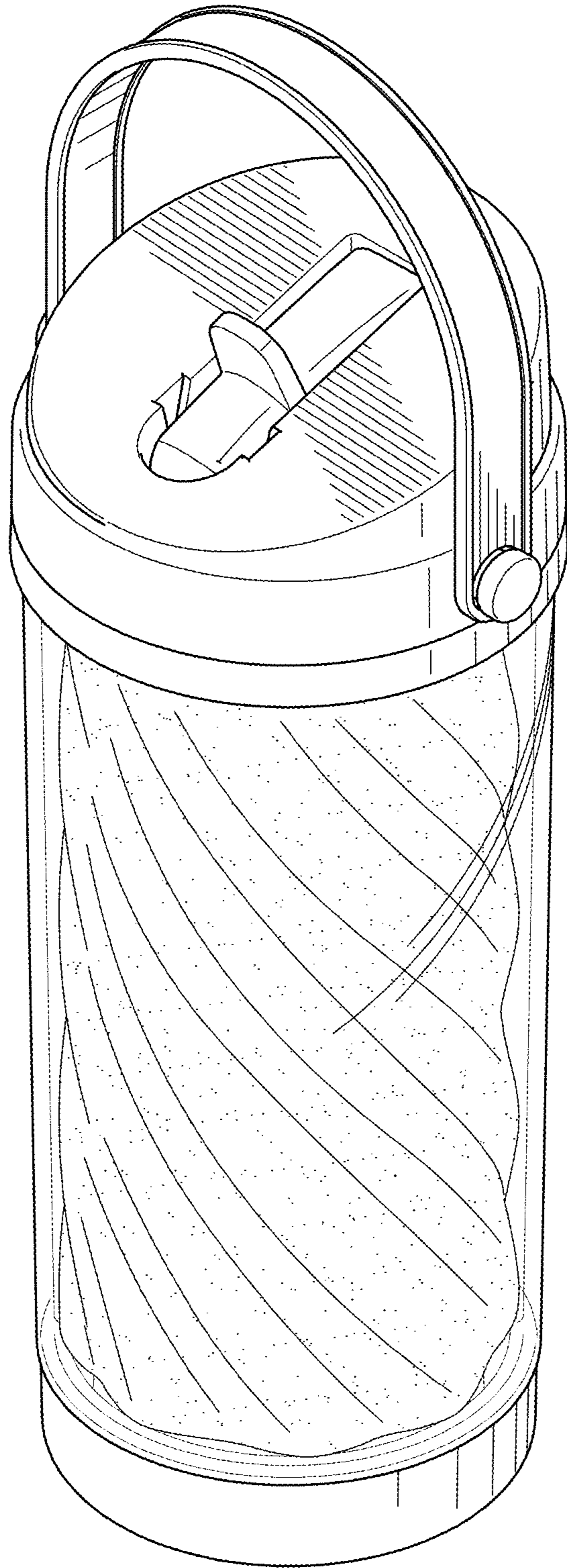
*Fig. 6*

*Fig. 7*



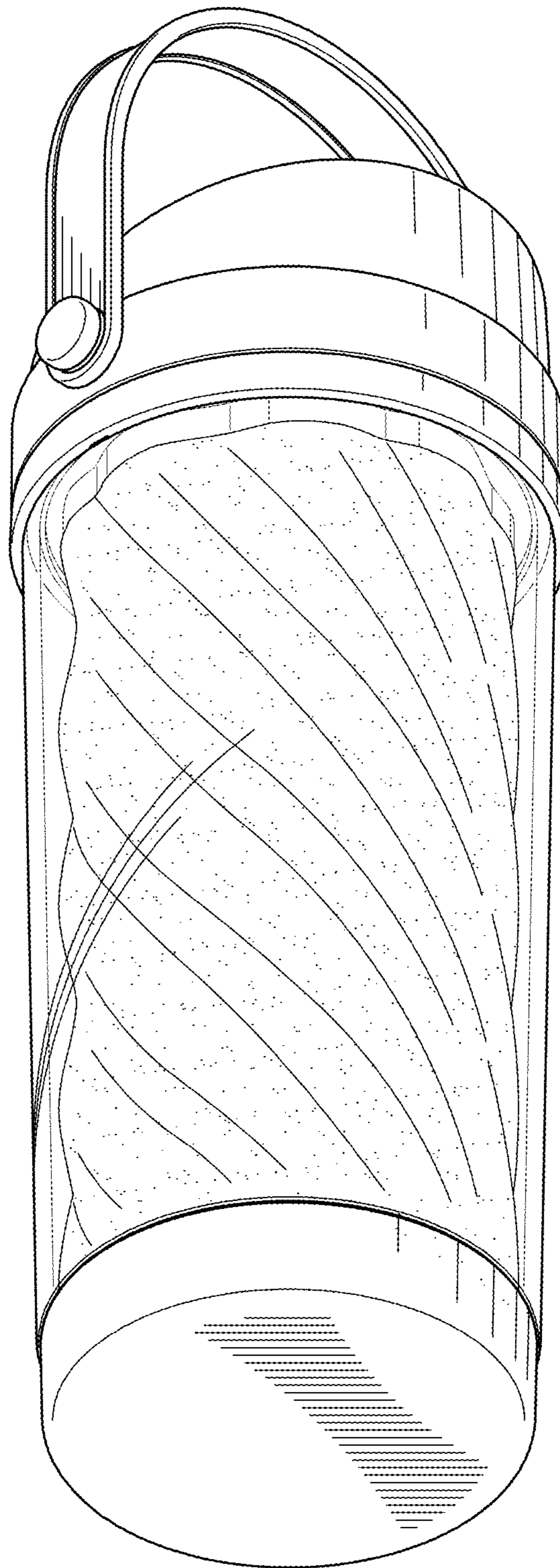
*Fig. 8*



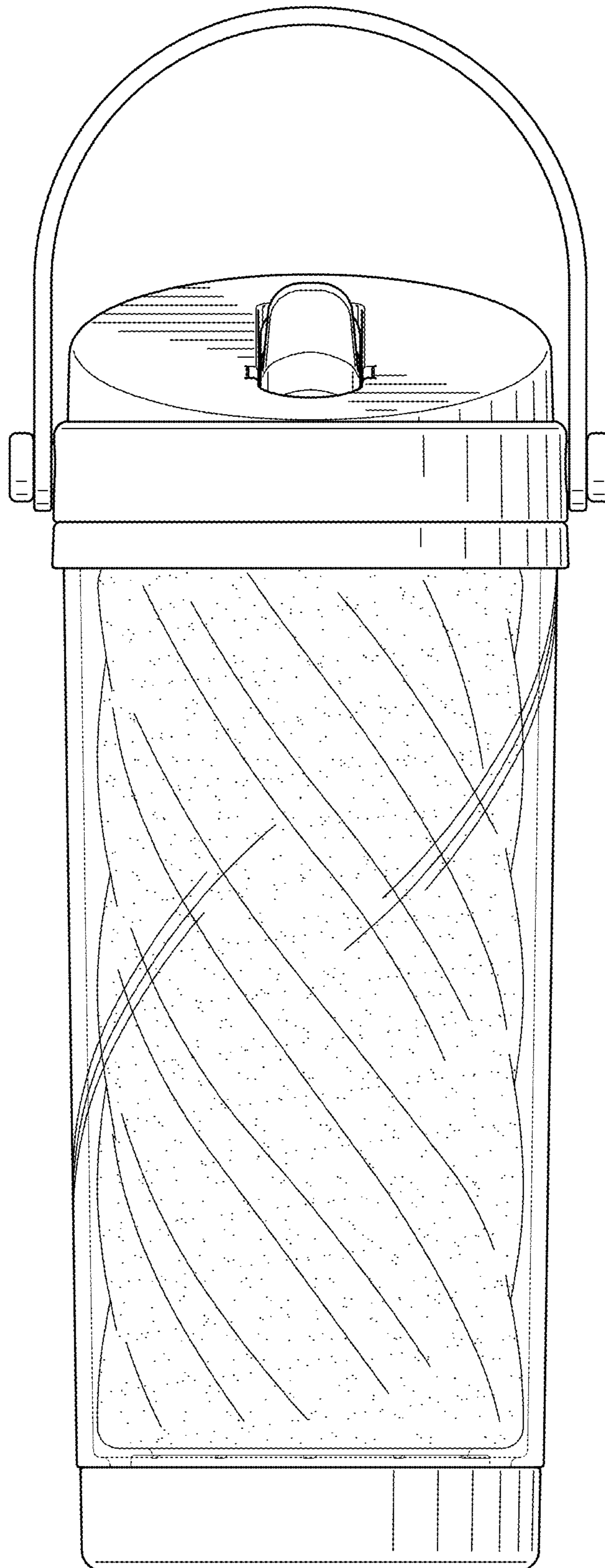


*Fig. 9*

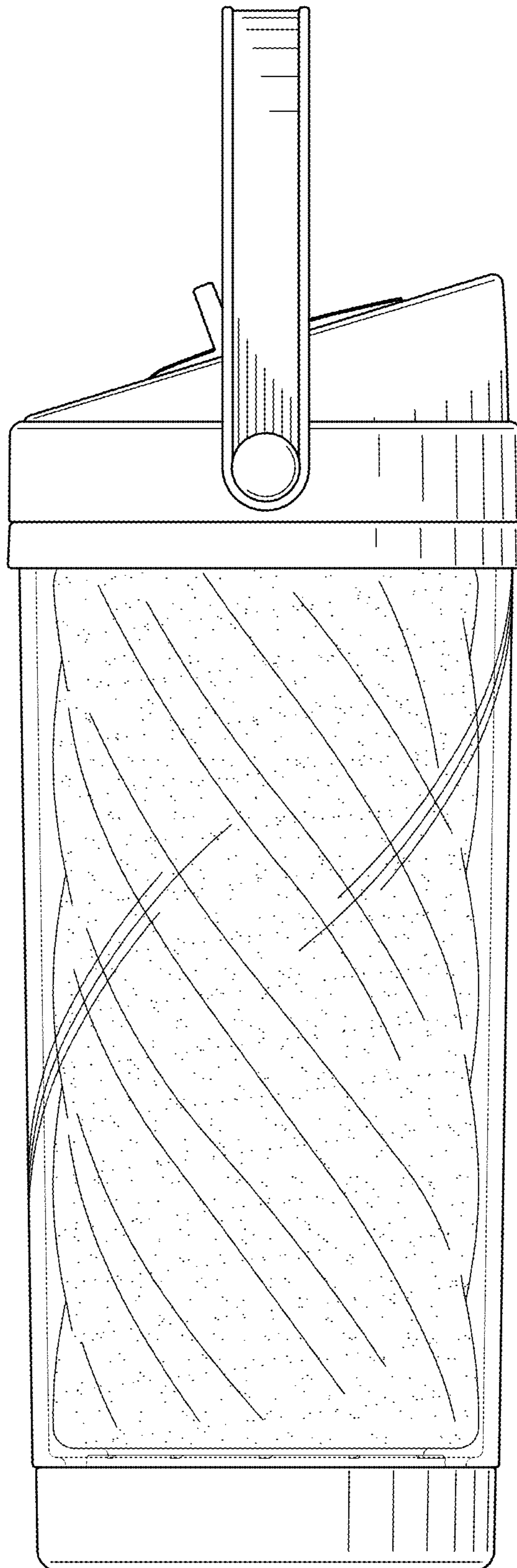




*Fig. 10*

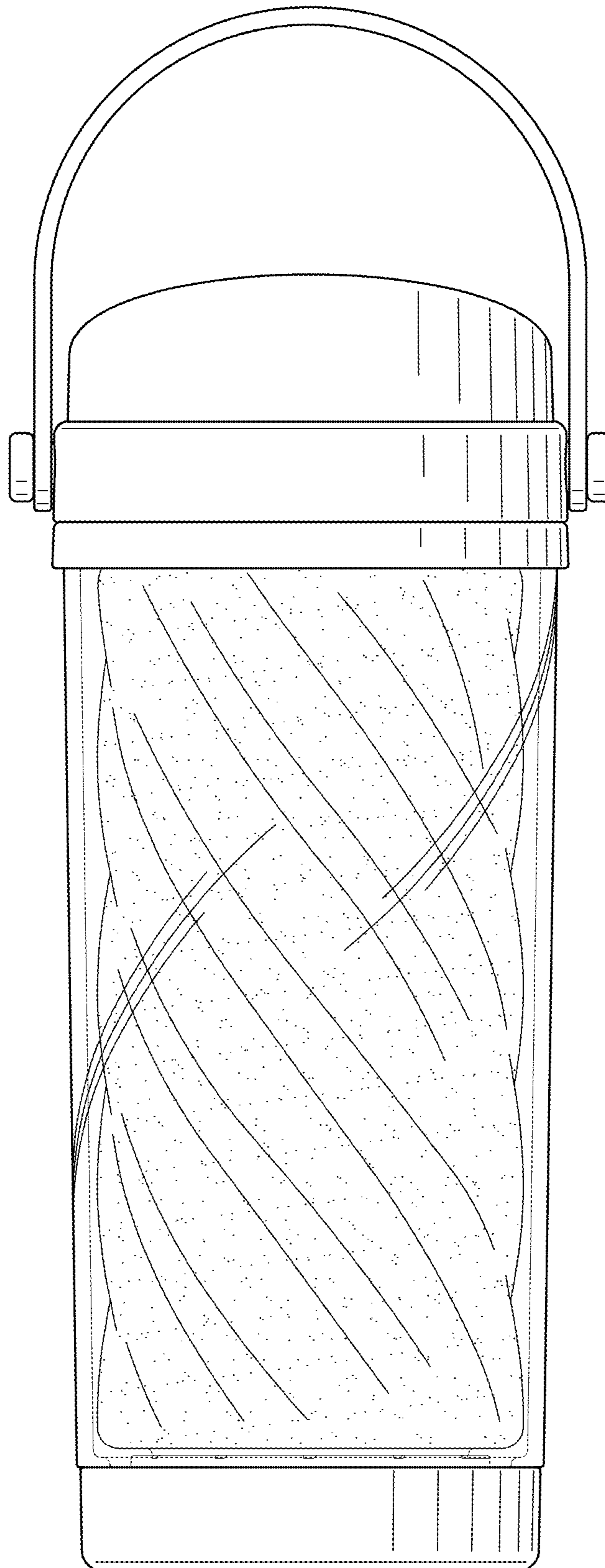


*Fig. 11*

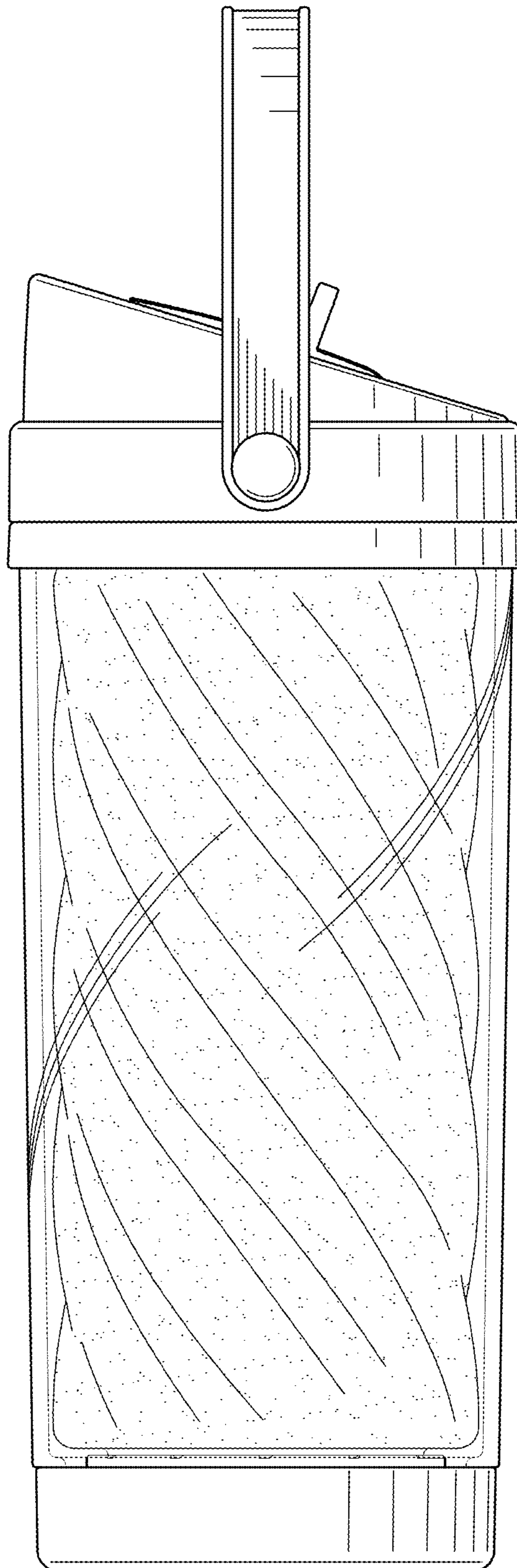


*Fig. 12*



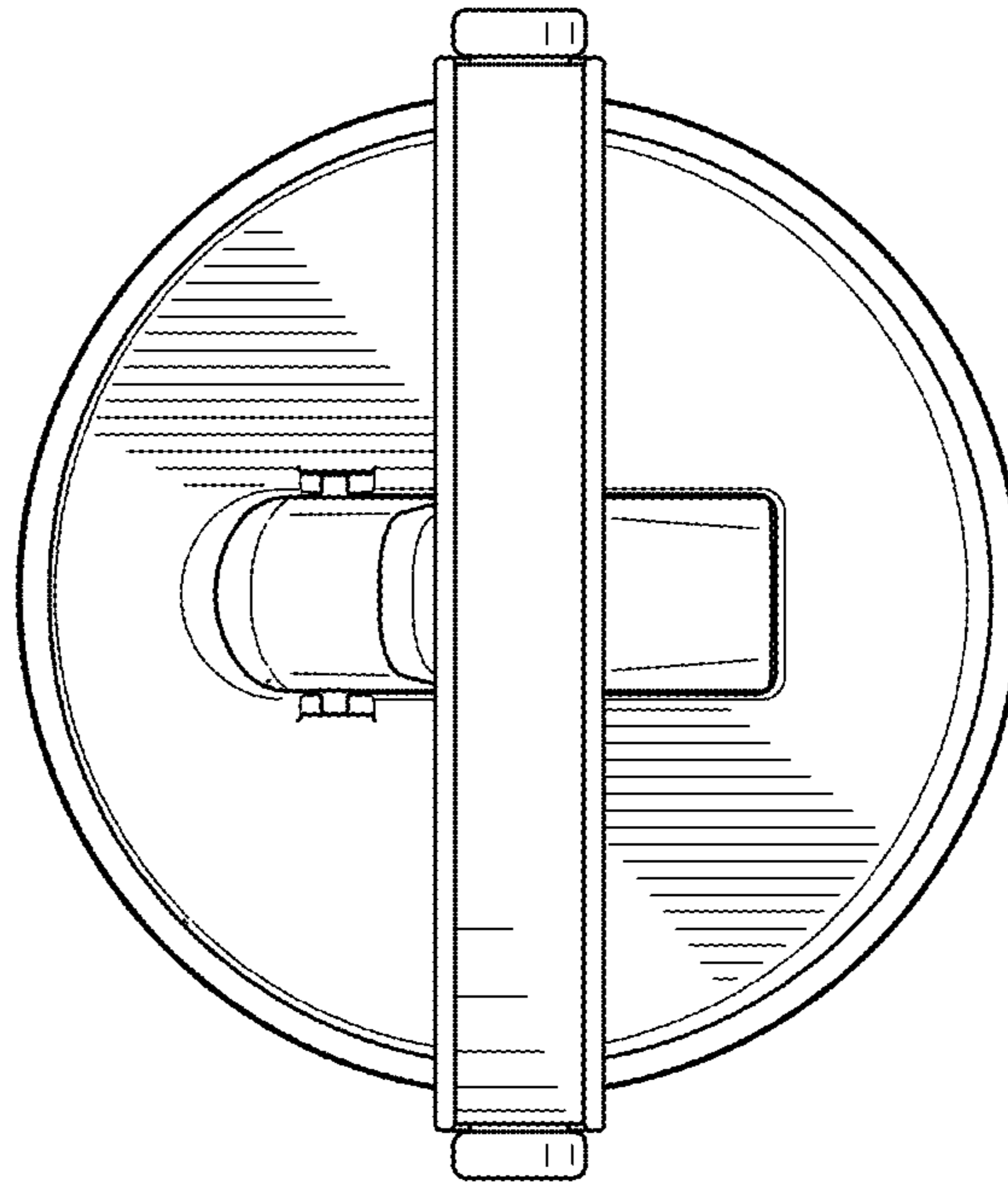


*Fig. 13*

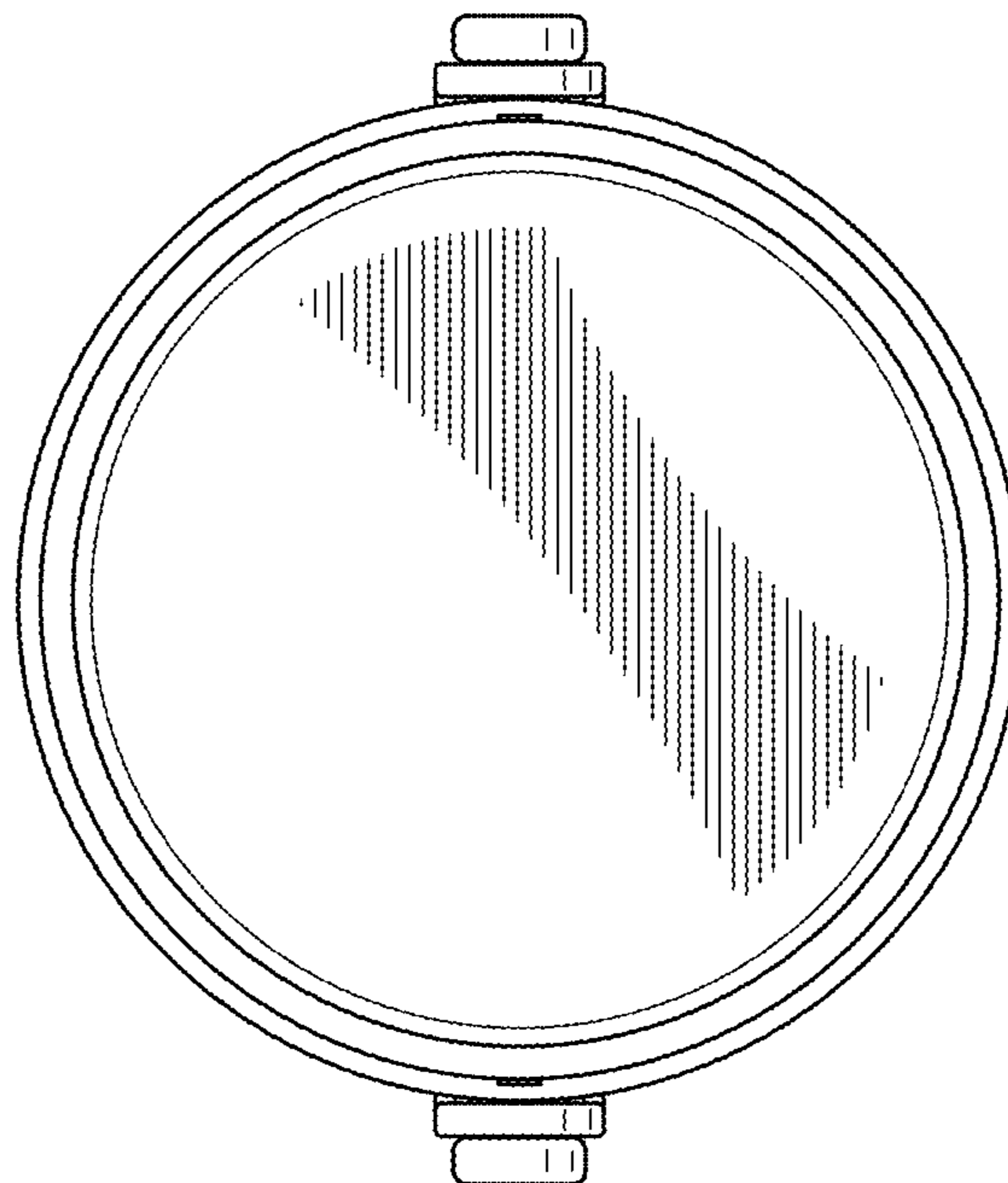


*Fig. 14*

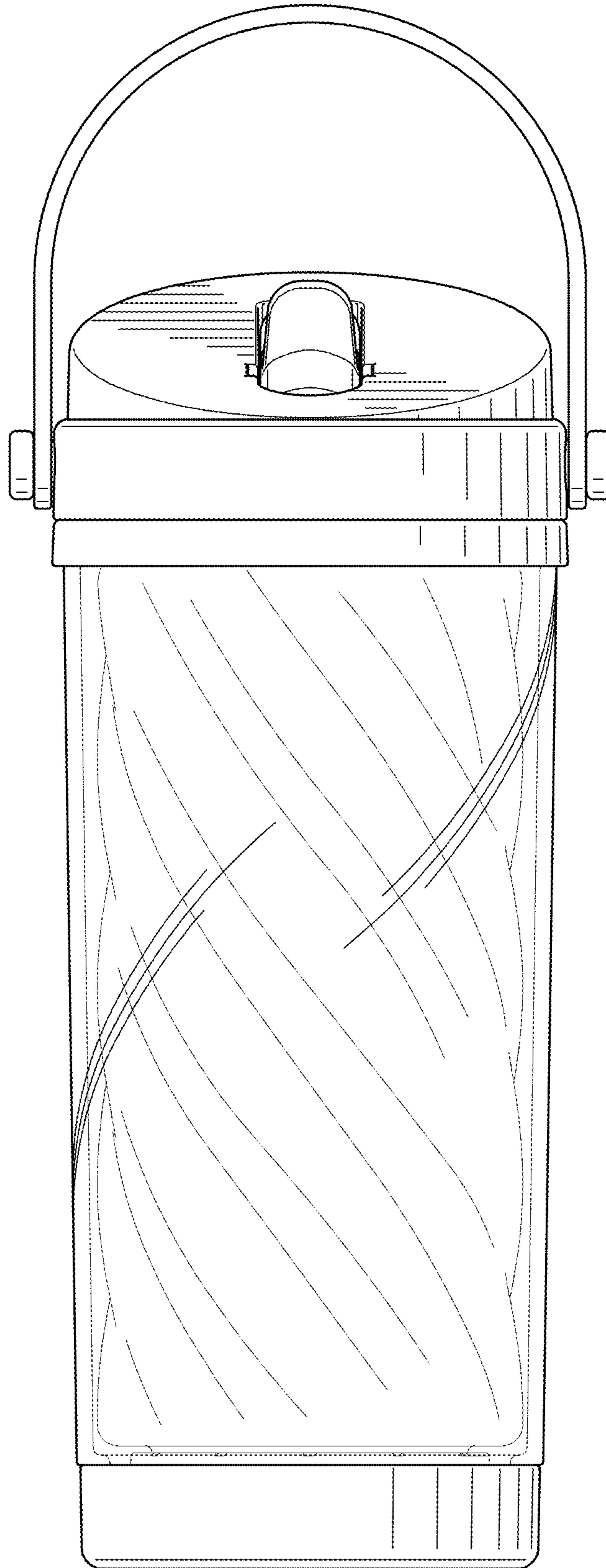
*Fig. 15*



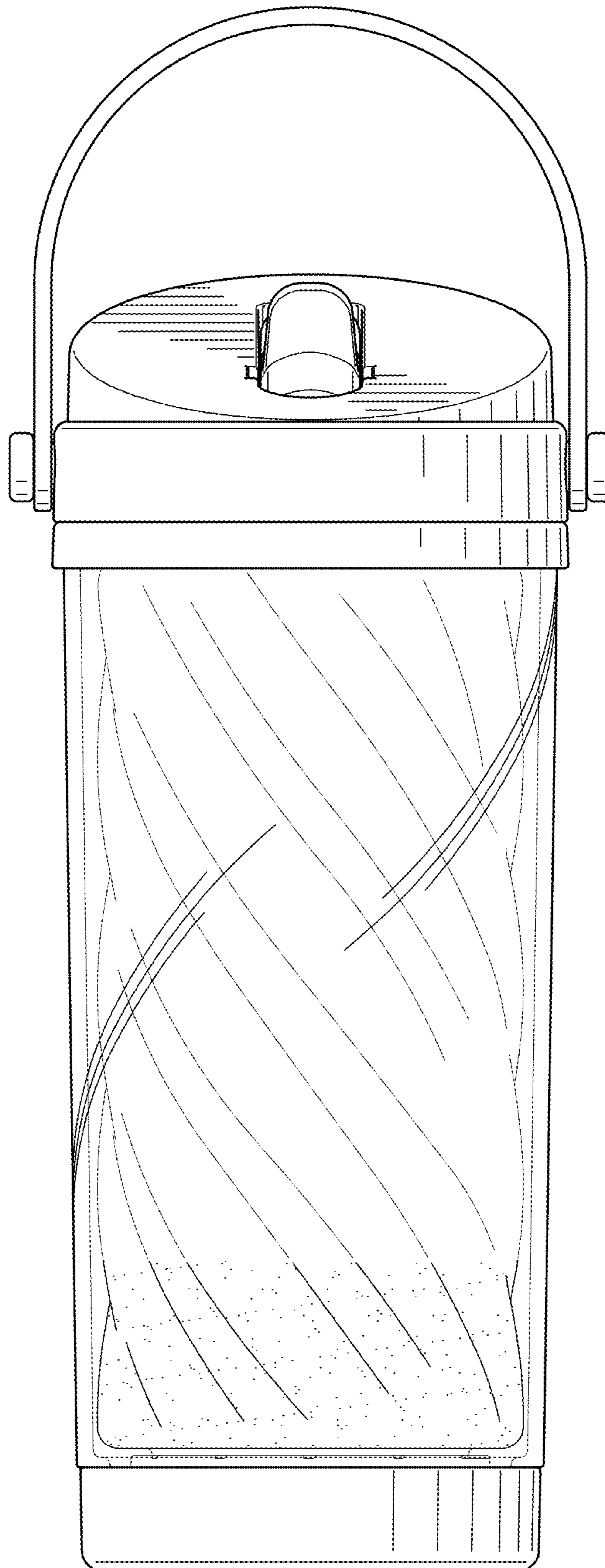
*Fig. 16*



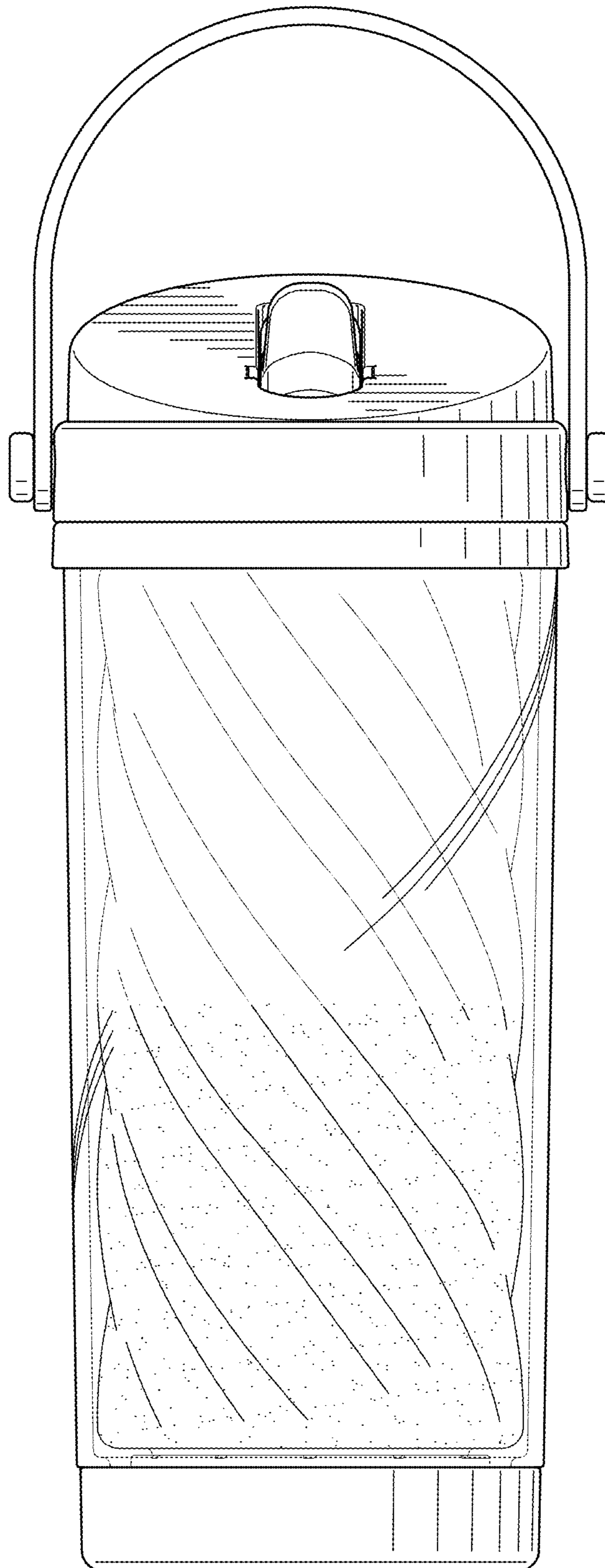




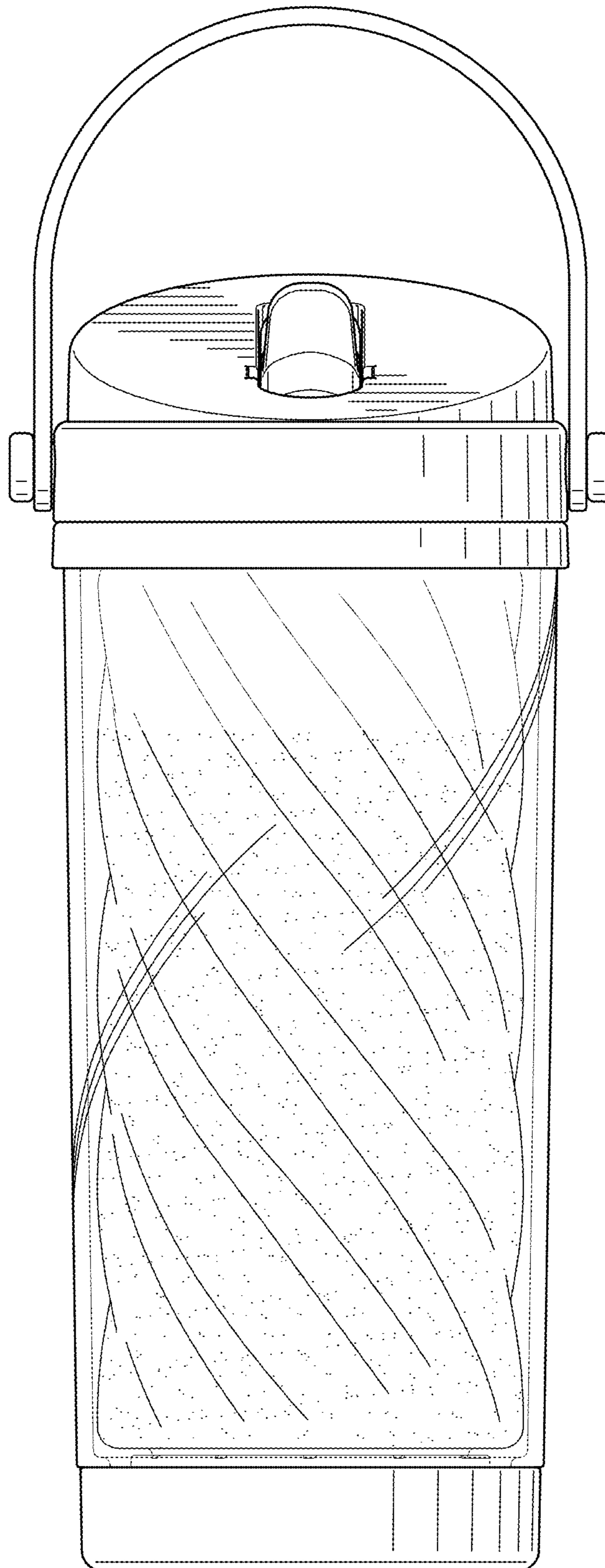
*Fig. 17*



*Fig. 18*

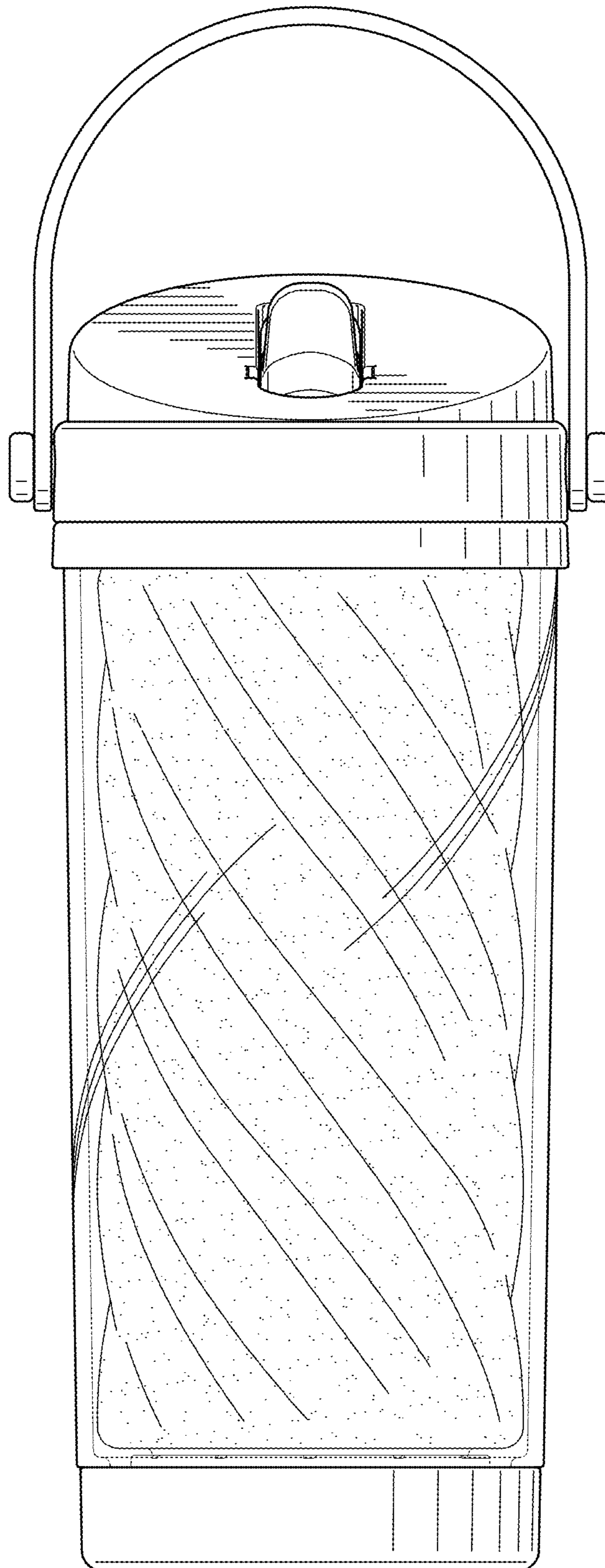


*Fig. 19*

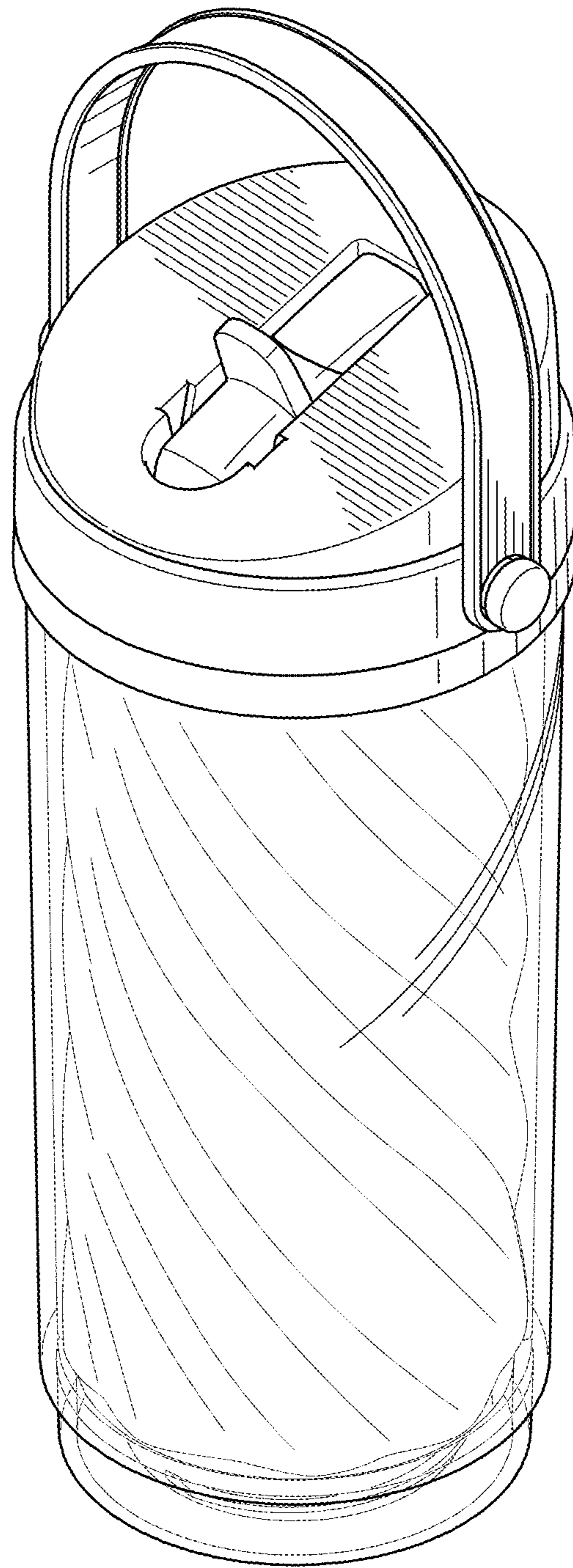


*Fig. 20*

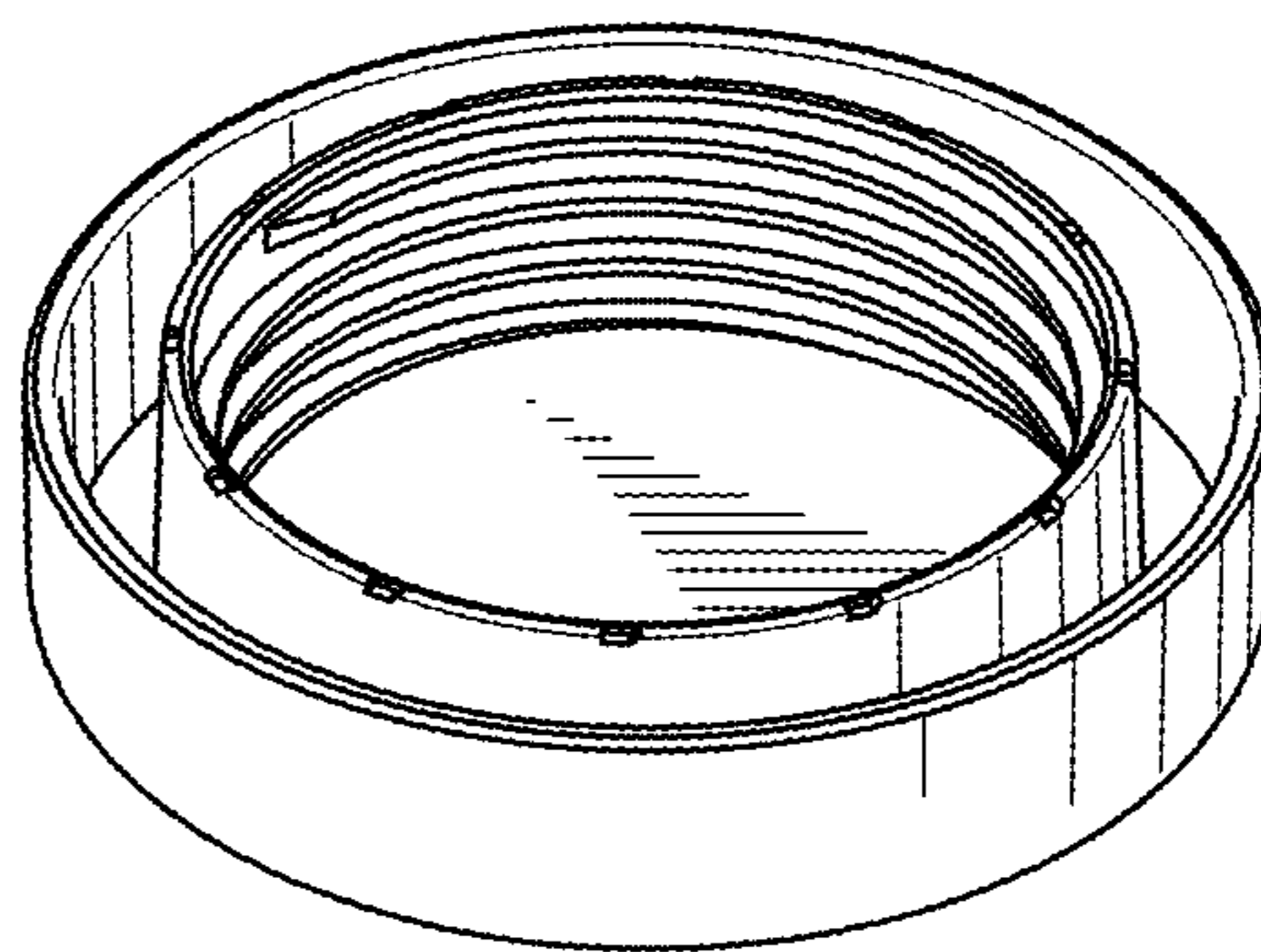




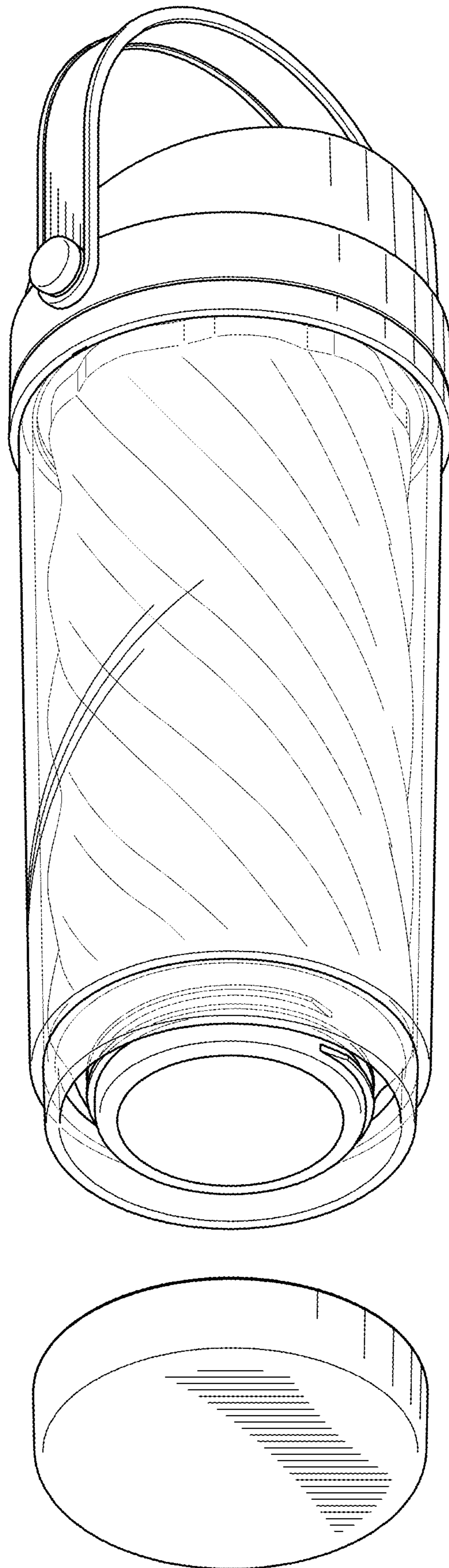
*Fig. 21*

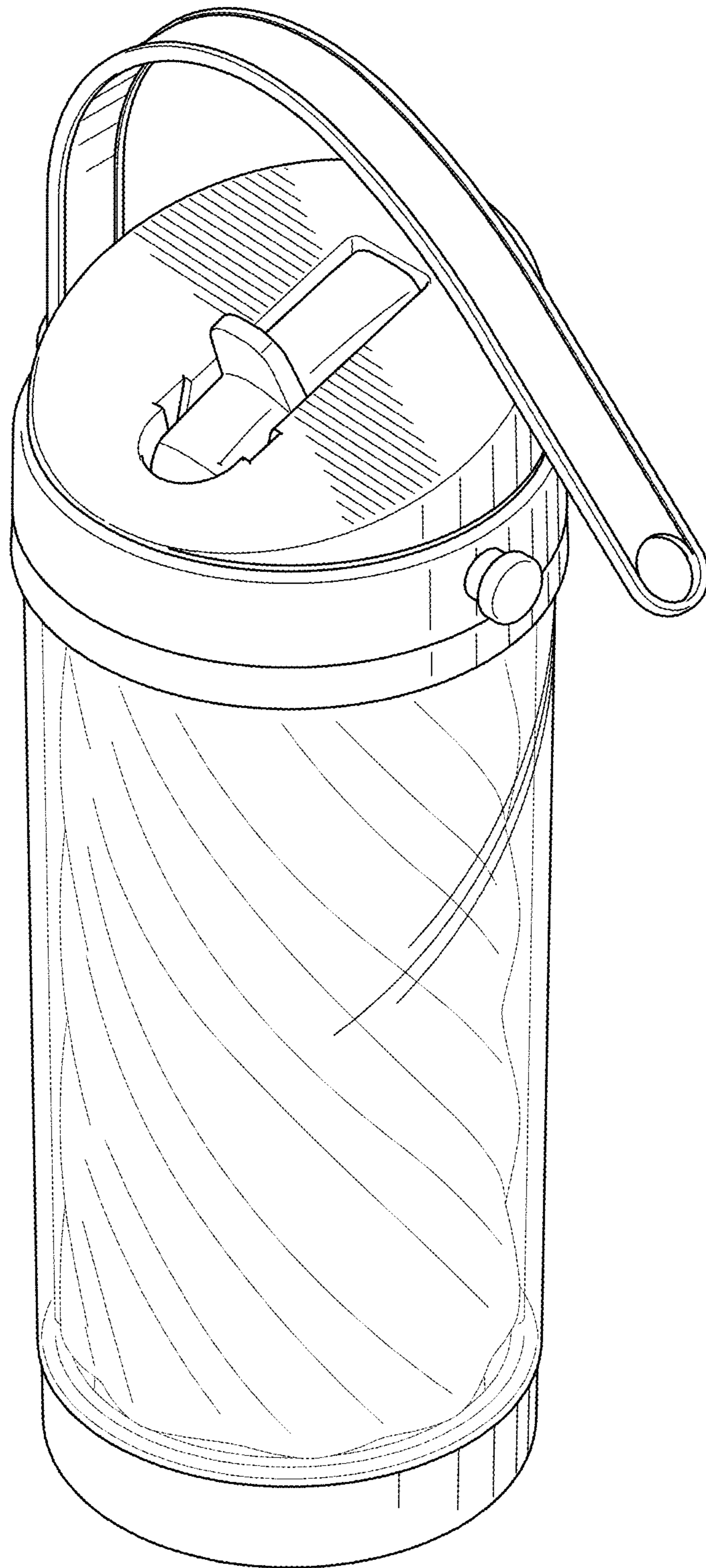


*Fig. 22*



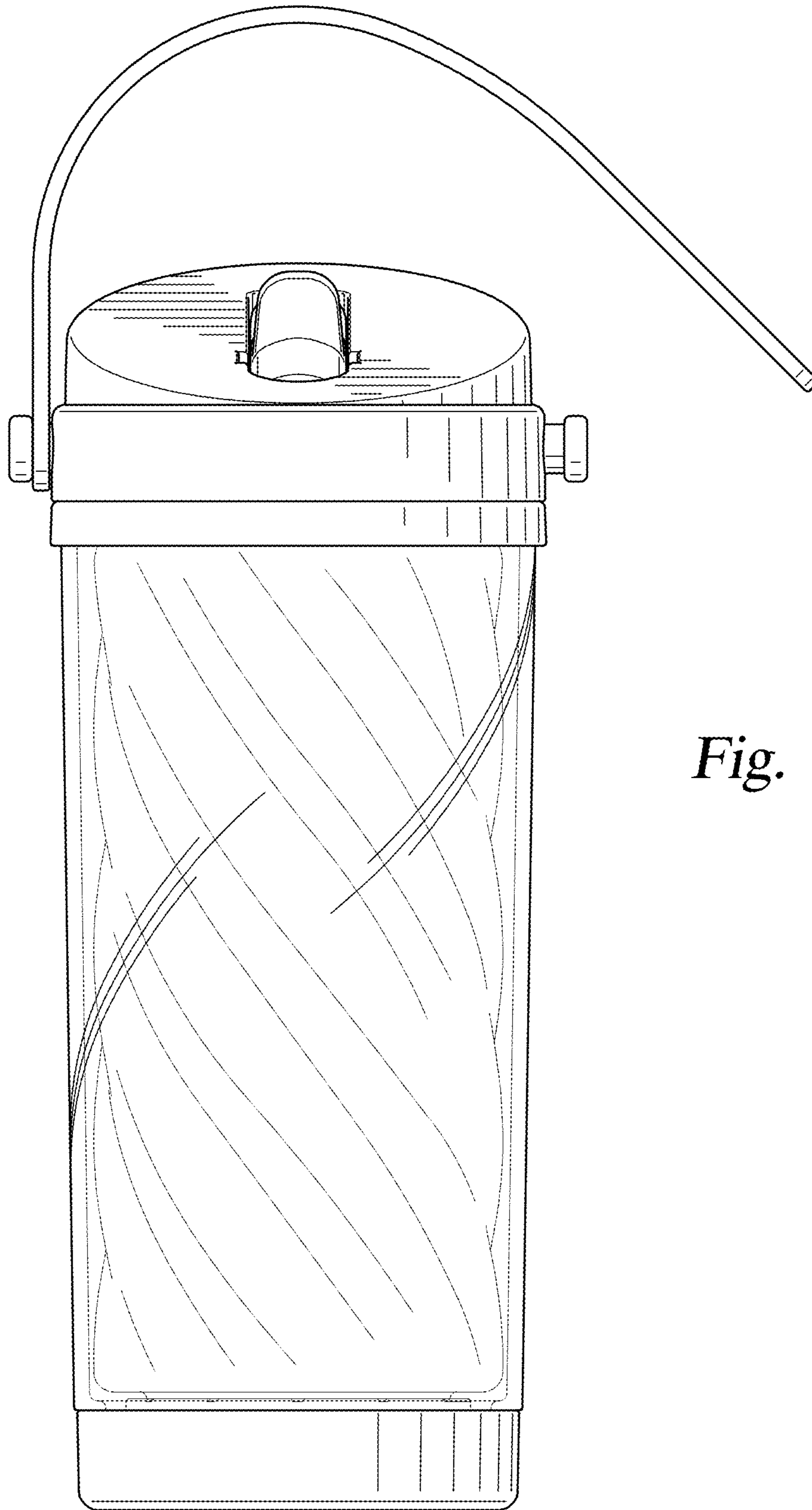
*Fig. 23*





*Fig. 24*





*Fig. 25*