



US00D944594S

(12) **United States Design Patent** (10) **Patent No.:** **US D944,594 S**
Sumner (45) **Date of Patent:** **** Mar. 1, 2022**

(54) **SMOKER DEVICE**
(71) Applicant: **Soak Limited**, Sandbach (GB)
(72) Inventor: **Robert Sumner**, Sandbach (GB)
(73) Assignee: **Soak Limited**, Sanbach (GB)
(**) Term: **15 Years**
(21) Appl. No.: **29/759,311**
(22) Filed: **Nov. 20, 2020**
(51) **LOC (13) Cl.** **07-02**
(52) **U.S. Cl.**
USPC **D7/409**
(58) **Field of Classification Search**
USPC D7/323, 348, 354-363, 391, 393-396,
D7/402, 409; D23/261, 269; D27/167,
D27/169, 194
CPC A47G 19/12; A47J 27/00; A47J 27/002;
A47J 27/08; A47J 27/21; A47J 27/58;
A47J 36/022; A47J 36/025; A47J 36/06;
A47J 36/10; A47J 36/12; A47J 36/24;
A47J 36/26; A47J 36/30; A47J 37/00;
A47J 37/10; A47J 37/101; A47J 37/103;
A47J 37/12; A47J 37/1204; A47J 45/061;
A47J 45/071; A47J 45/08; E03F 5/0408;
H05B 6/12
See application file for complete search history.

7,694,626 B2 4/2010 Davis
D657,848 S * 4/2012 Howson D23/261
D721,539 S 1/2015 Johnson
D722,722 S * 2/2015 Ross D27/167
D761,398 S * 7/2016 Murphy D23/269
9,433,241 B2 9/2016 Jalloul
9,603,372 B2 3/2017 Bader
10,190,305 B2 * 1/2019 Howson E03F 5/0408
D844,236 S * 3/2019 Tidnam D27/169
D855,882 S * 8/2019 Flood D27/194
10,420,351 B2 9/2019 Vinett
2004/0025714 A1 2/2004 Neal

(Continued)

FOREIGN PATENT DOCUMENTS

WO 2020032912 A1 2/2020

OTHER PUBLICATIONS

Cuifuli Cocktail Smoker Old Fashioned Kit. Date First Available on Amazon.com Nov. 30, 2021. <https://www.amazon.com/dp/B09MRSQQ9W/ref> (Year: 2021).*

Primary Examiner — Ricky Pham
(74) *Attorney, Agent, or Firm* — Sheets Law PLLC;
Kendal M. Sheets

(57) **CLAIM**

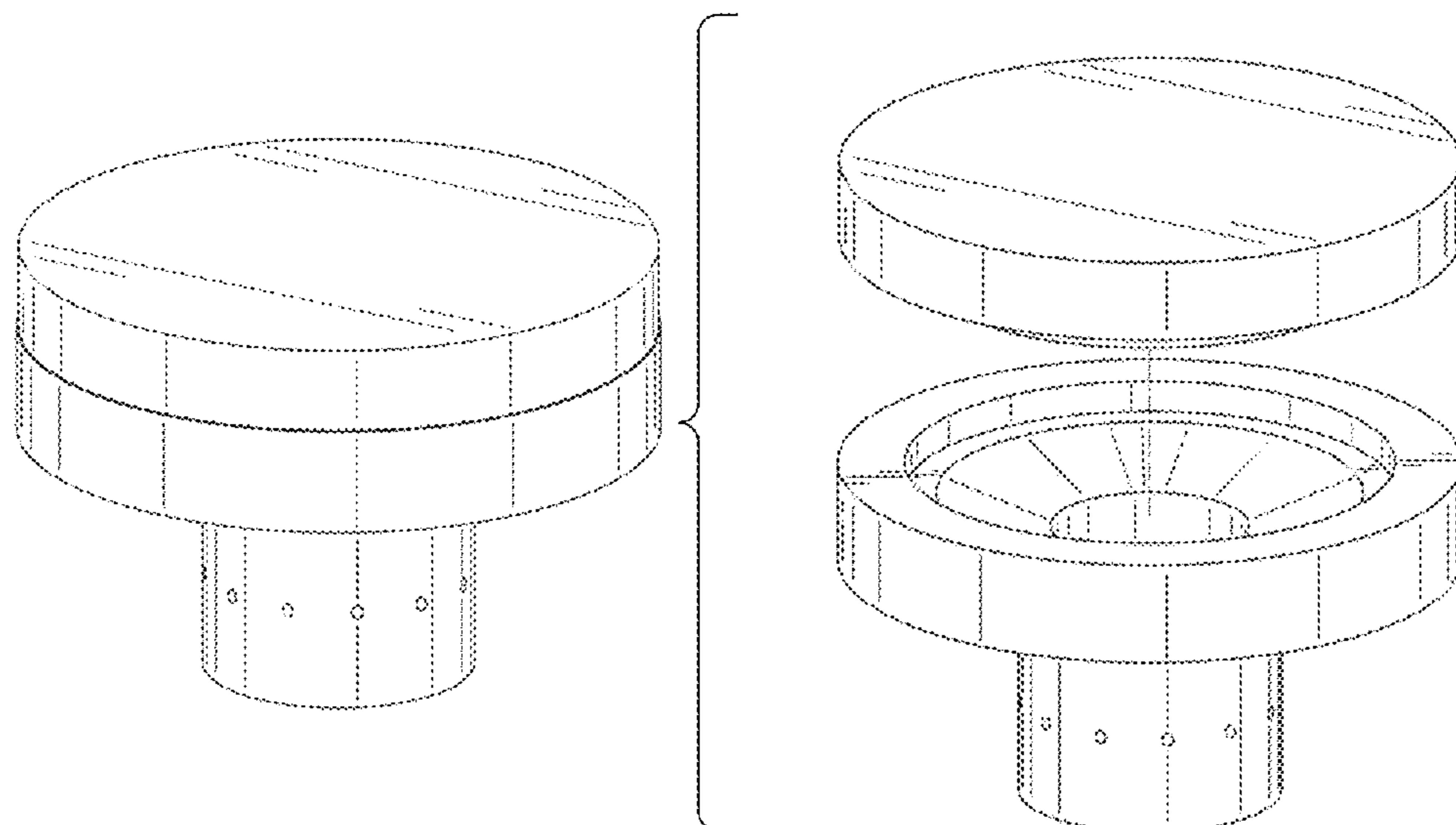
The ornamental design for a smoker device, as shown and described.

DESCRIPTION

FIG. 1 is a front perspective view of a smoker device according to the new design;
FIG. 2 is a top plan view of the smoker device of FIG. 1;
FIG. 3 is a side view of the smoker device of FIG. 1, the opposite side view being a mirror image;
FIG. 4 is bottom plan view of the smoker device of FIG. 1; and,
FIG. 5 is an exploded view of the smoker device of FIG. 1.

1 Claim, 5 Drawing Sheets

- (56) **References Cited**
U.S. PATENT DOCUMENTS
- | | | |
|--------------|---------|-----------|
| 2,246,804 A | 6/1941 | Lipschutz |
| 2,967,023 A | 1/1961 | Huckabee |
| 3,788,301 A | 1/1974 | Terry |
| 4,779,525 A | 10/1988 | Gaines |
| 5,048,406 A | 9/1991 | Cofer |
| 5,193,445 A | 3/1993 | Ferguson |
| 6,481,344 B1 | 11/2002 | Green |
| 6,779,438 B1 | 8/2004 | Citrynell |
| 6,971,305 B1 | 12/2005 | Thomas |



(56)

References Cited

U.S. PATENT DOCUMENTS

2006/0042641 A1 3/2006 Young
2014/0261015 A1 9/2014 Nelson
2014/0261016 A1 9/2014 Kaderil
2018/0371387 A1 12/2018 Hall et al.

* cited by examiner

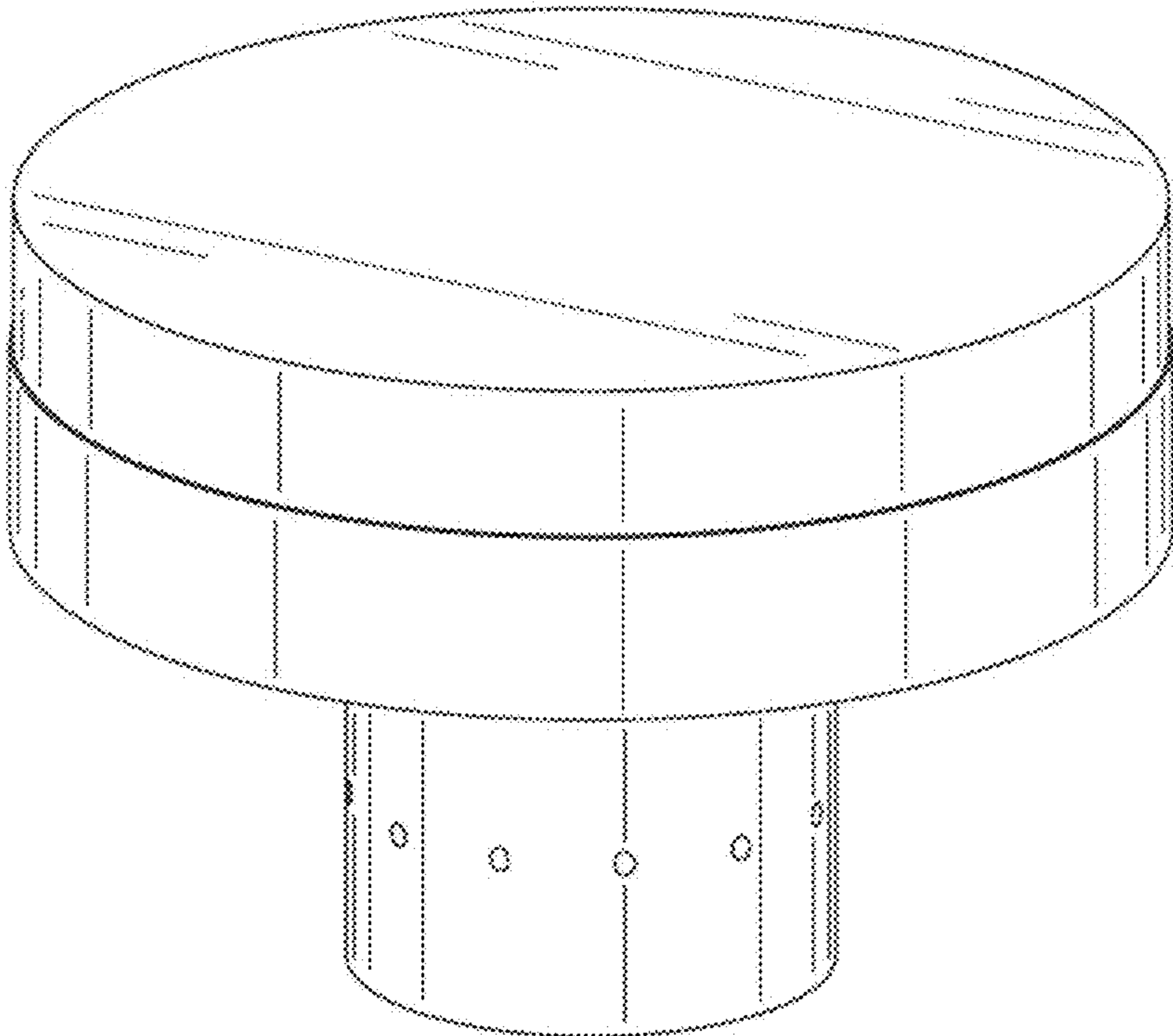


FIG. 1

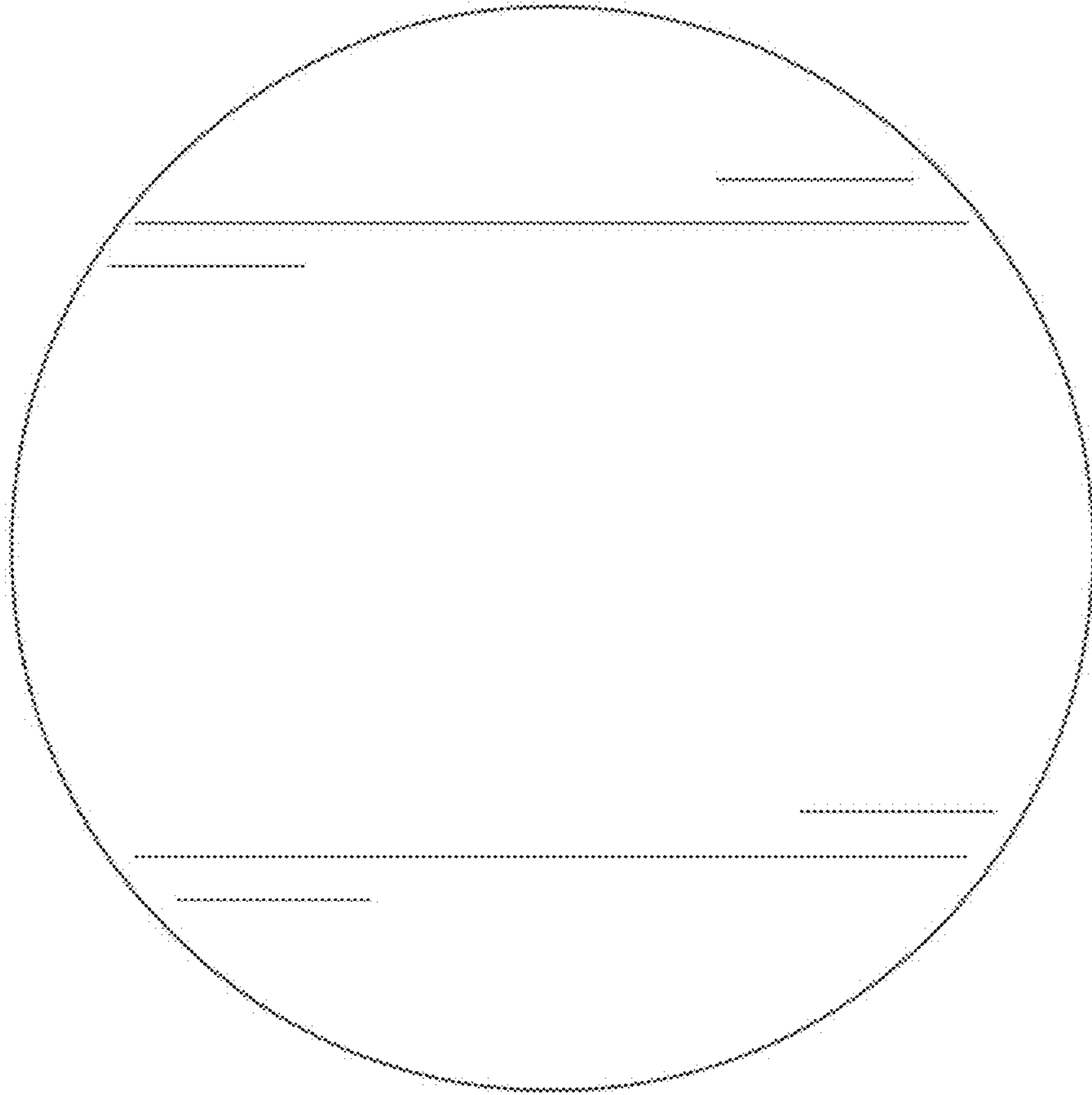


Fig. 2

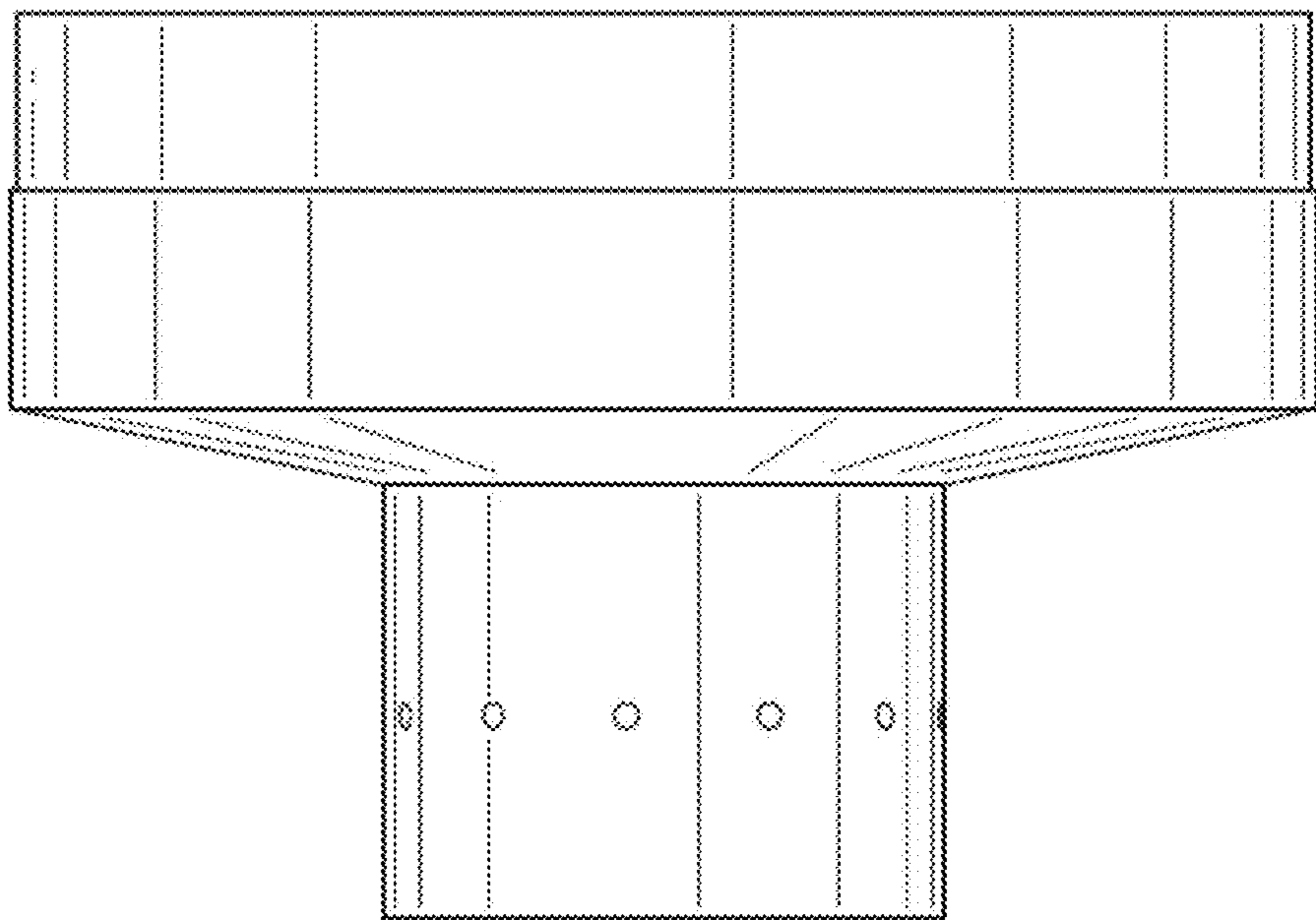


Fig. 3

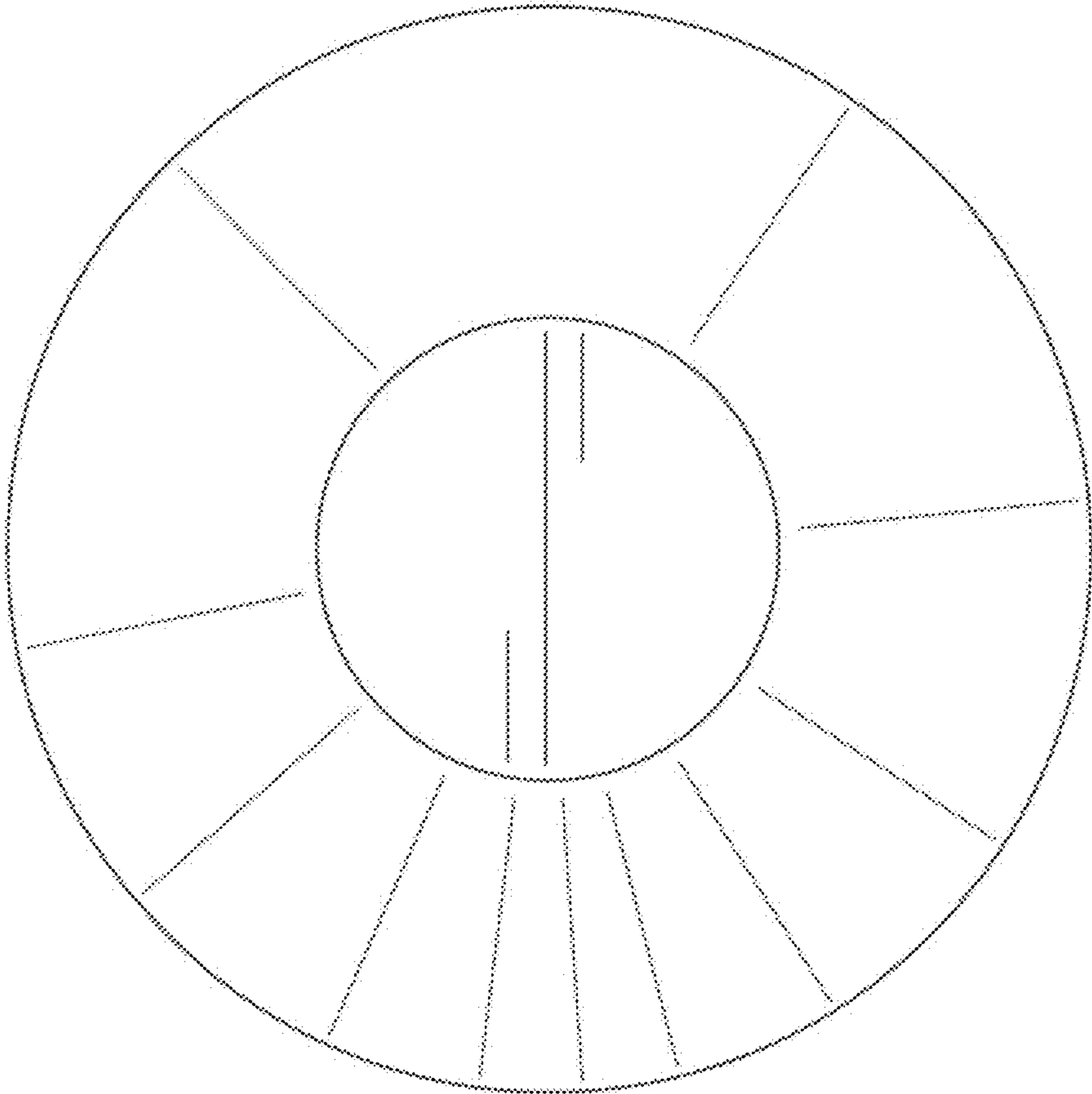


Fig. 4

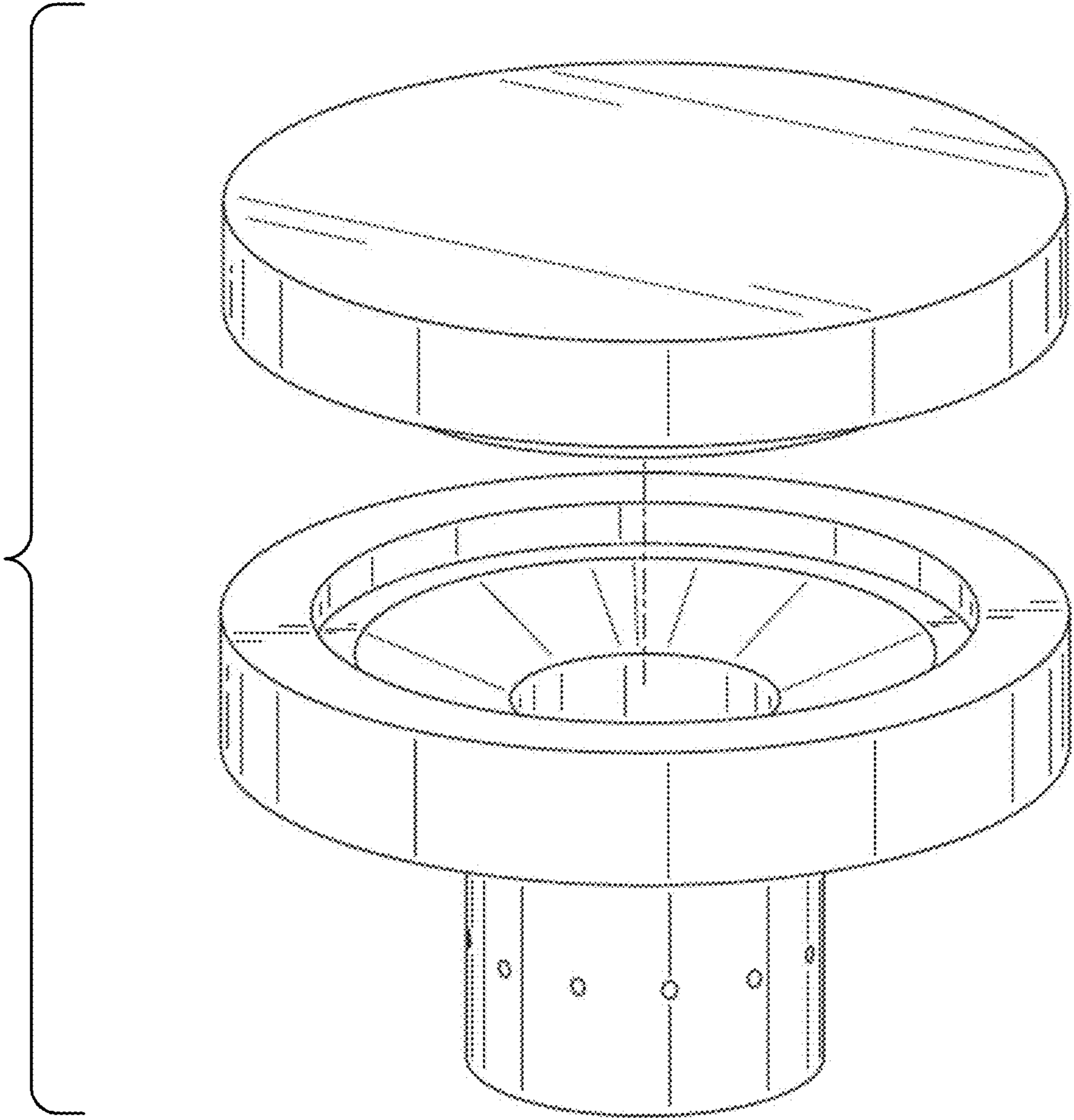


Fig.5