

US00D944591S

(12) **United States Design Patent**  
**Yao**

(10) **Patent No.:** **US D944,591 S**  
(45) **Date of Patent:** **\*\* Mar. 1, 2022**

(54) **BOTTLE LID**

(71) Applicant: **Bader Almuhtadi**, Tampa, FL (US)

(72) Inventor: **Huajun Yao**, Hangzhou (CN)

(\*\*) Term: **15 Years**

(21) Appl. No.: **29/756,928**

(22) Filed: **Nov. 2, 2020**

(30) **Foreign Application Priority Data**

Jun. 17, 2020 (CN) ..... 202030310798.6

(51) **LOC (13) Cl.** ..... **09-07**

(52) **U.S. Cl.**  
USPC ..... **D7/392.1**; D9/443; D7/396.2

(58) **Field of Classification Search**  
USPC ..... D9/435, 439, 440, 442-449, 450, 454,  
D9/531, 682-694, 723; D7/321, 391,  
D7/392, 392.1, 396.2, 507, 509-511, 523,  
D7/608, 900; D6/515  
CPC .... B65D 83/205; B65D 83/206; B65D 83/40;  
B65D 2543/00046; A47G 19/2272  
See application file for complete search history.

(56) **References Cited**

**U.S. PATENT DOCUMENTS**

- D605,942 S \* 12/2009 Miksovsky ..... D9/446
- D719,780 S \* 12/2014 Sullivan ..... D7/392.1
- D763,076 S \* 8/2016 Lane ..... D9/446
- D763,688 S \* 8/2016 Breit ..... D9/443
- D767,390 S \* 9/2016 Miksovsky ..... D9/446
- D772,652 S \* 11/2016 Yao ..... D7/511
- D801,111 S \* 10/2017 Eyal ..... D7/392.1
- D807,110 S \* 1/2018 Lown ..... D7/391
- D813,668 S \* 3/2018 Miller ..... D9/446
- D817,085 S \* 5/2018 Davis ..... D7/392.1
- D824,721 S \* 8/2018 Hu ..... D7/392.1
- D824,722 S \* 8/2018 Marina ..... D7/396.2
- D825,332 S \* 8/2018 Miksovsky ..... D9/446

- D843,778 S \* 3/2019 Yao ..... D7/392.1
- D848,786 S \* 5/2019 Bujalska ..... D7/392.1
- D856,067 S \* 8/2019 Barber ..... D7/392.1
- D858,181 S \* 9/2019 Lown ..... D7/392.1
- D863,879 S \* 10/2019 Merrigan ..... D7/396.2
- D870,509 S \* 12/2019 Bo ..... D7/392.1
- D881,640 S \* 4/2020 Nichols ..... D7/392.1
- D886,518 S \* 6/2020 Li ..... D7/392.1
- D889,198 S \* 7/2020 Shepard ..... D7/396.2
- D889,199 S \* 7/2020 Shepard ..... D7/396.2
- D892,556 S \* 8/2020 Wang ..... D7/510

(Continued)

**FOREIGN PATENT DOCUMENTS**

- CN 305876165 \* 6/2020
- JP D1593927 \* 12/2017
- RU 00109837 \* 7/2018

*Primary Examiner* — Brett Miller  
*Assistant Examiner* — Rani J Abdallah

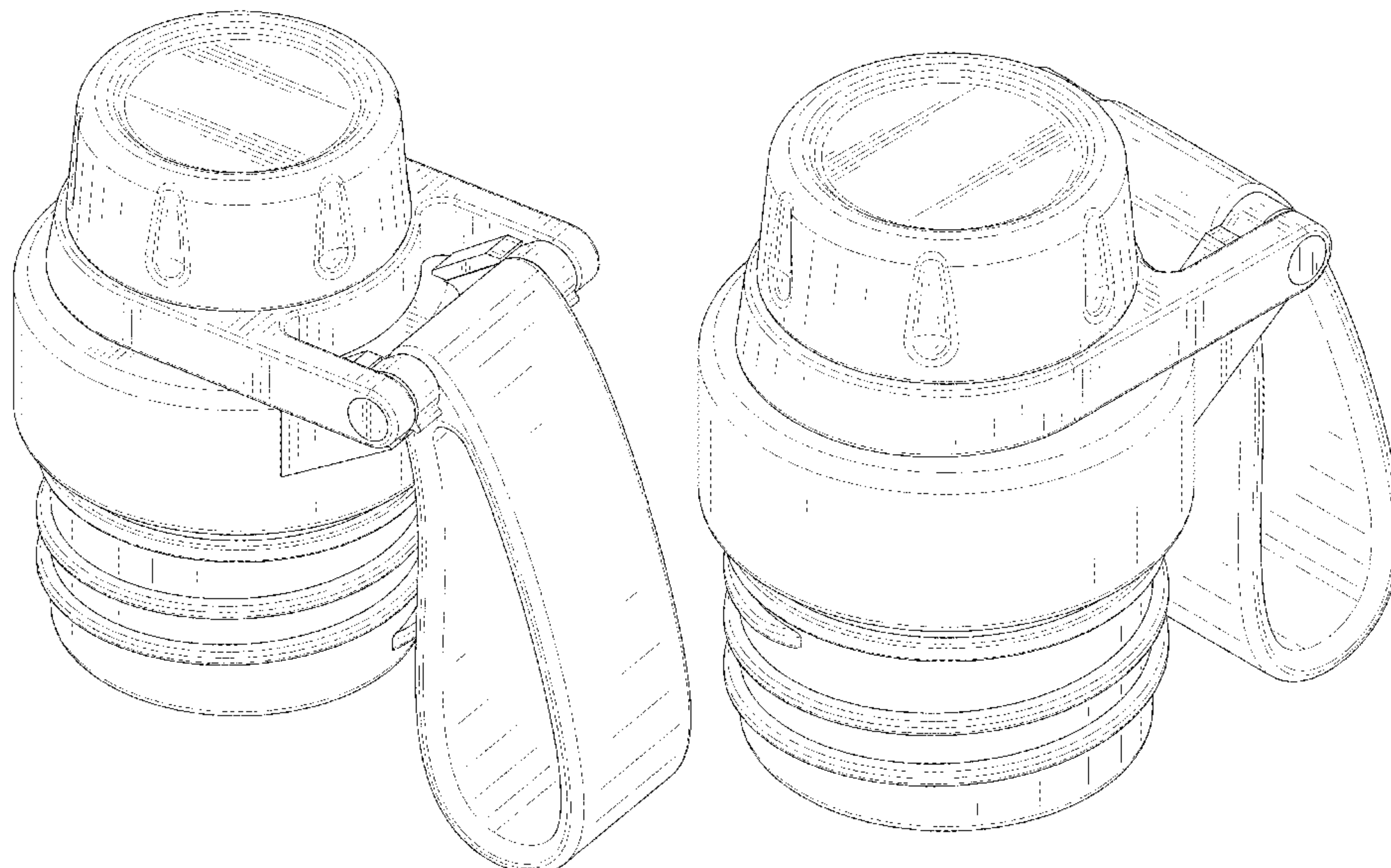
(57) **CLAIM**

The ornamental design for a bottle lid, as shown and described.

**DESCRIPTION**

FIG. 1 is a front and top perspective view of a bottle lid, showing my new design;  
FIG. 2 is another front and top perspective view thereof;  
FIG. 3 is a rear and bottom perspective view thereof;  
FIG. 4 is a front elevational view thereof;  
FIG. 5 is a rear elevational view thereof;  
FIG. 6 is a left side elevational view thereof;  
FIG. 7 is a right side elevational view thereof;  
FIG. 8 is a top plan view thereof;  
FIG. 9 is a bottom plan view thereof; and,  
FIG. 10 is a front and top perspective view thereof, showing a belt of the bottle lid in a lifted position.  
The broken lines in the figures illustrate portions of the article that form no part of the claimed design.

**1 Claim, 10 Drawing Sheets**



(56)

**References Cited**

## U.S. PATENT DOCUMENTS

D892,557 S \* 8/2020 Wang ..... D7/510  
D892,558 S \* 8/2020 Wang ..... D7/510  
D892,560 S \* 8/2020 Wang ..... D7/511  
D894,669 S \* 9/2020 Lane ..... D7/392  
D894,670 S \* 9/2020 Adams, Jr. .... D7/392.1  
D896,572 S \* 9/2020 Nichols ..... D7/392.1  
D903,404 S \* 12/2020 Bram ..... D7/392.1  
D912,518 S \* 3/2021 Peng ..... D7/511  
D913,034 S \* 3/2021 Cornelius ..... D7/392.1  
D913,036 S \* 3/2021 Steenari ..... D7/392.1  
D920,041 S \* 5/2021 Chen ..... D7/396.2  
10,994,901 B2 \* 5/2021 Cornelius ..... B65D 47/143  
D920,739 S \* 6/2021 Omdahl, II ..... D7/392.1  
D922,137 S \* 6/2021 Chen ..... D7/392.1  
D922,826 S \* 6/2021 Lin ..... D7/510  
D925,974 S \* 7/2021 Pearce ..... D7/392.1  
D928,557 S \* 8/2021 Spivey ..... D7/392.1  
D935,266 S \* 11/2021 Chen ..... D7/392.1  
D935,836 S \* 11/2021 Wang ..... D7/392.1  
2017/0107023 A1 \* 4/2017 Miksovsky ..... B65D 55/16  
2019/0135506 A1 \* 5/2019 Merrigan ..... B65D 41/04

\* cited by examiner

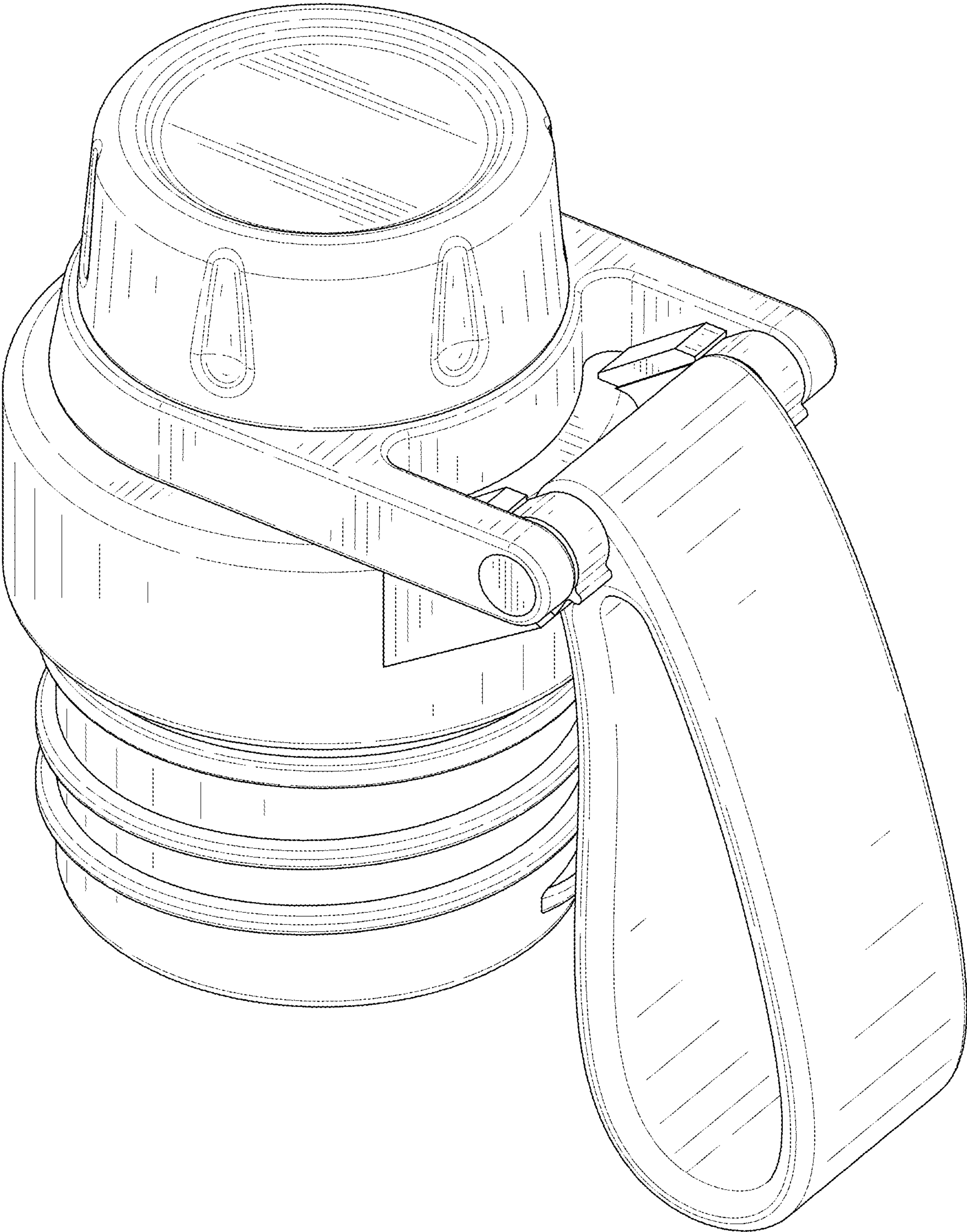


FIG. 1



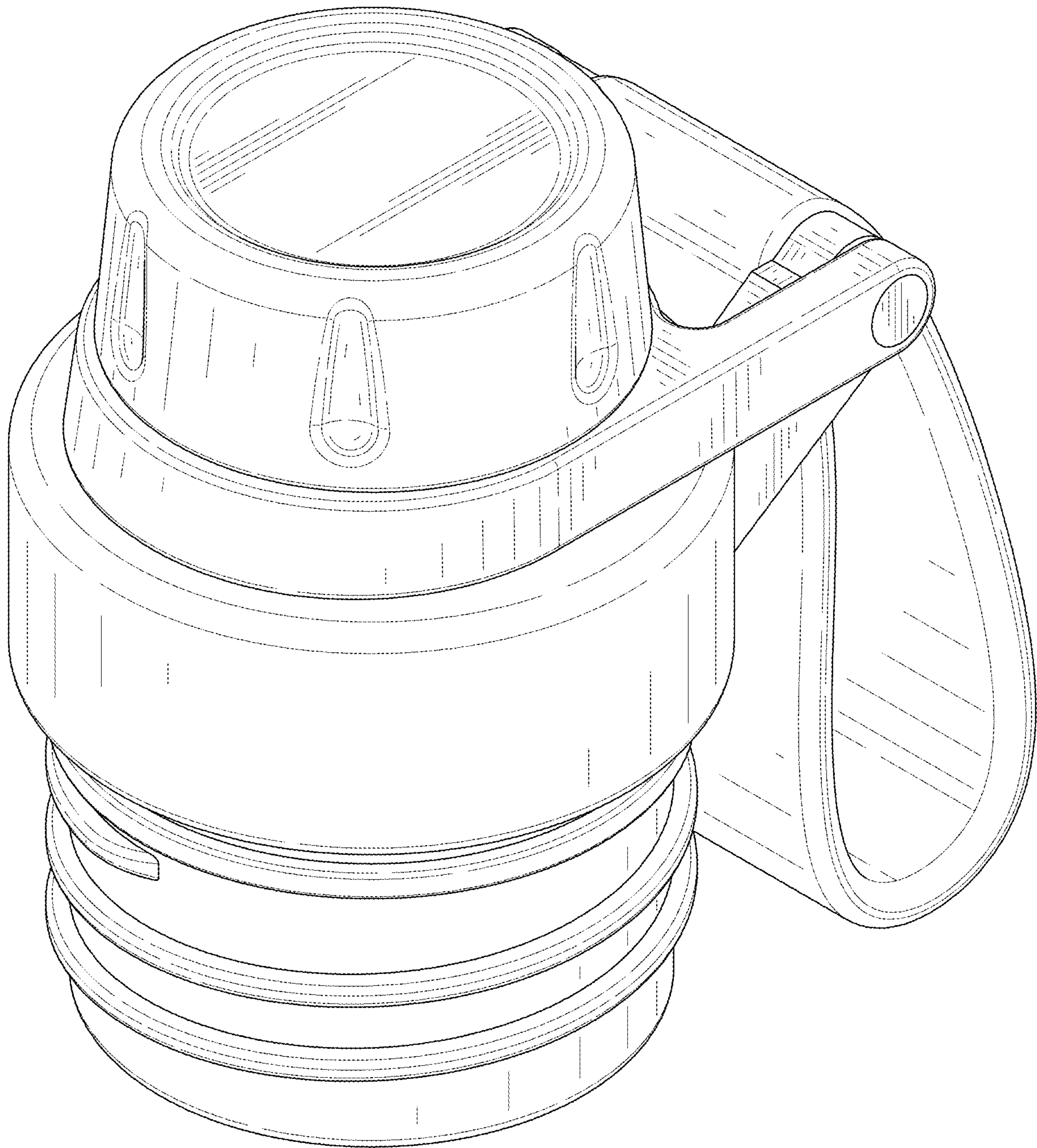


FIG. 2

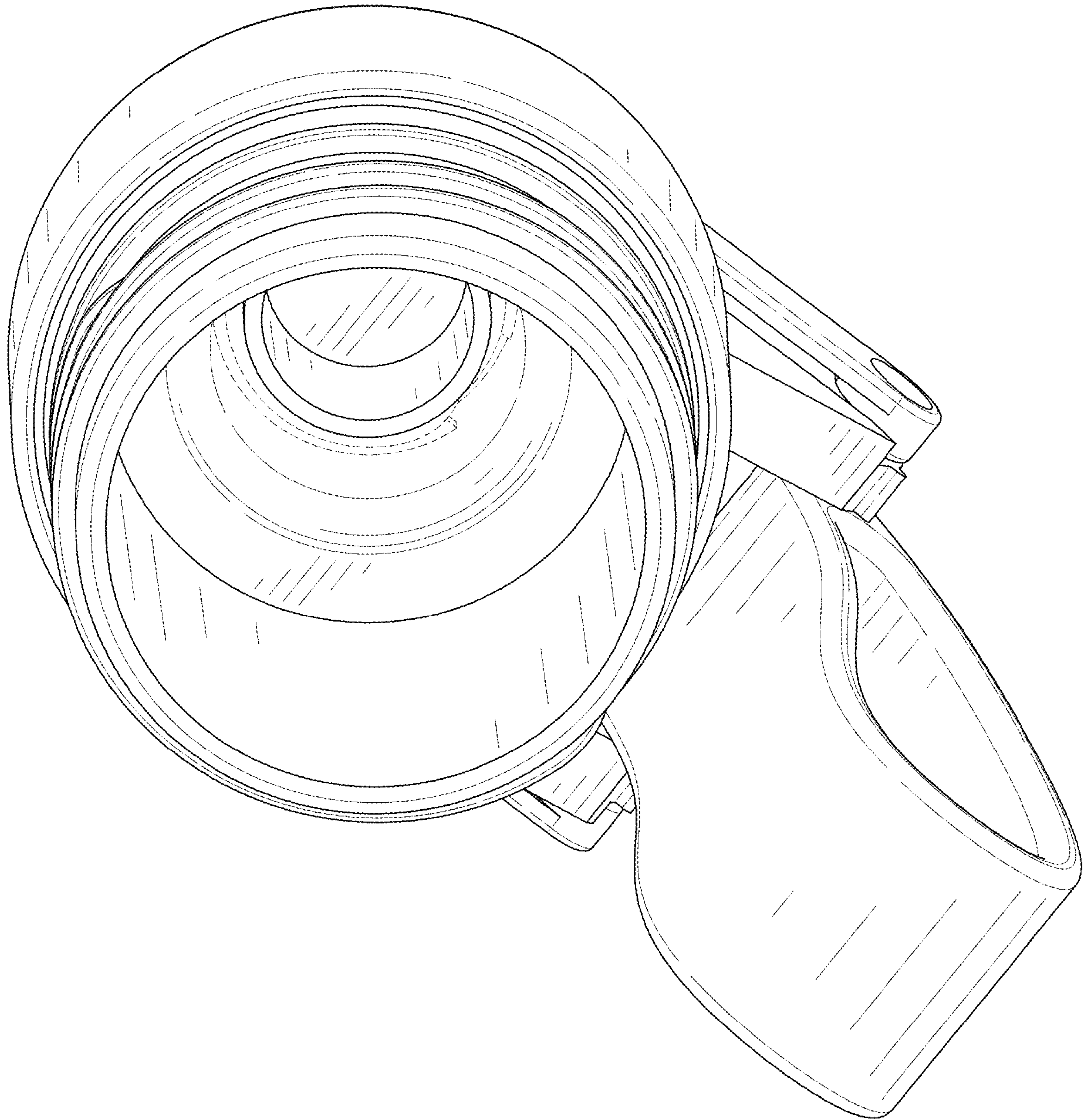


FIG. 3

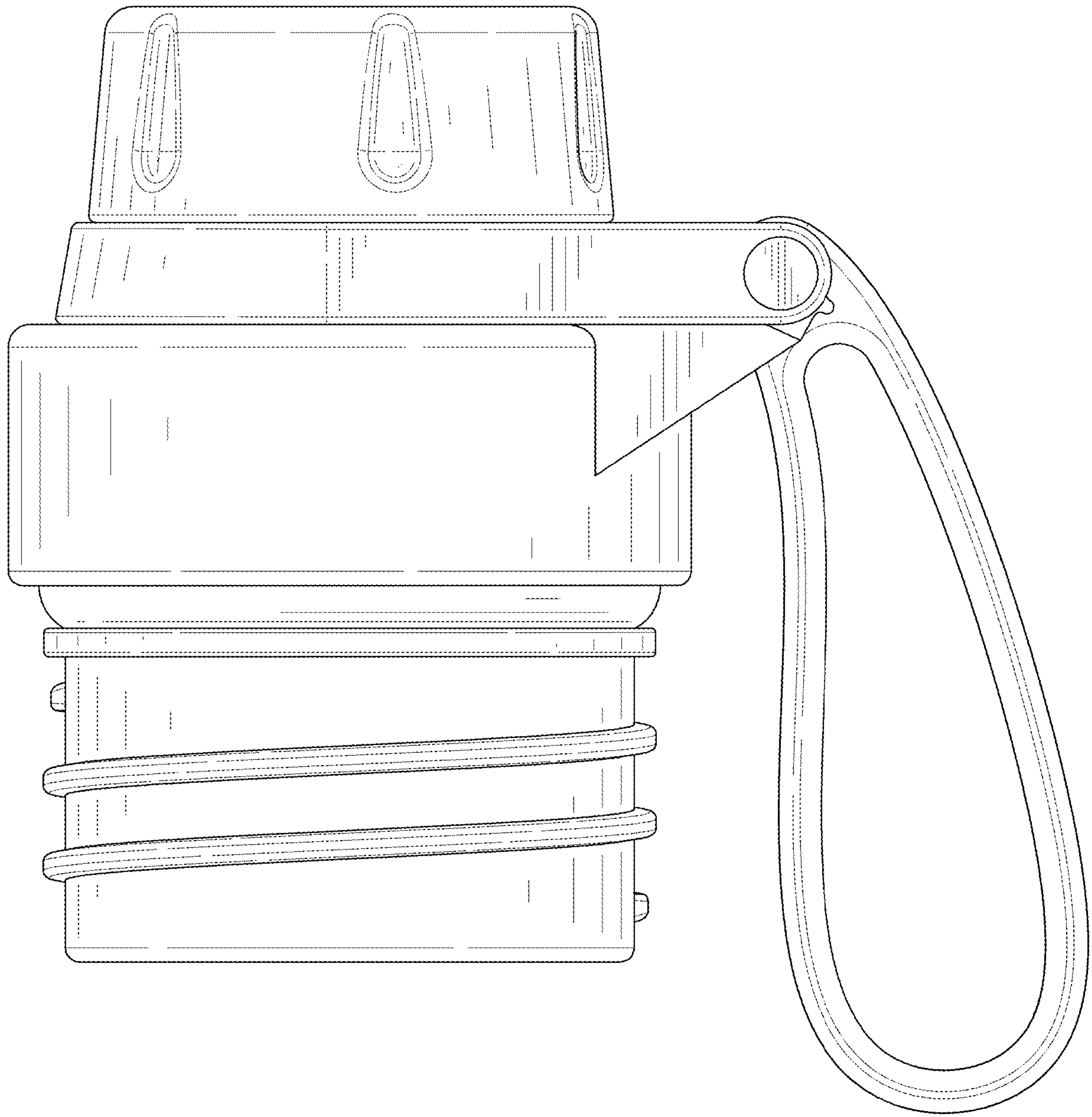


FIG. 4

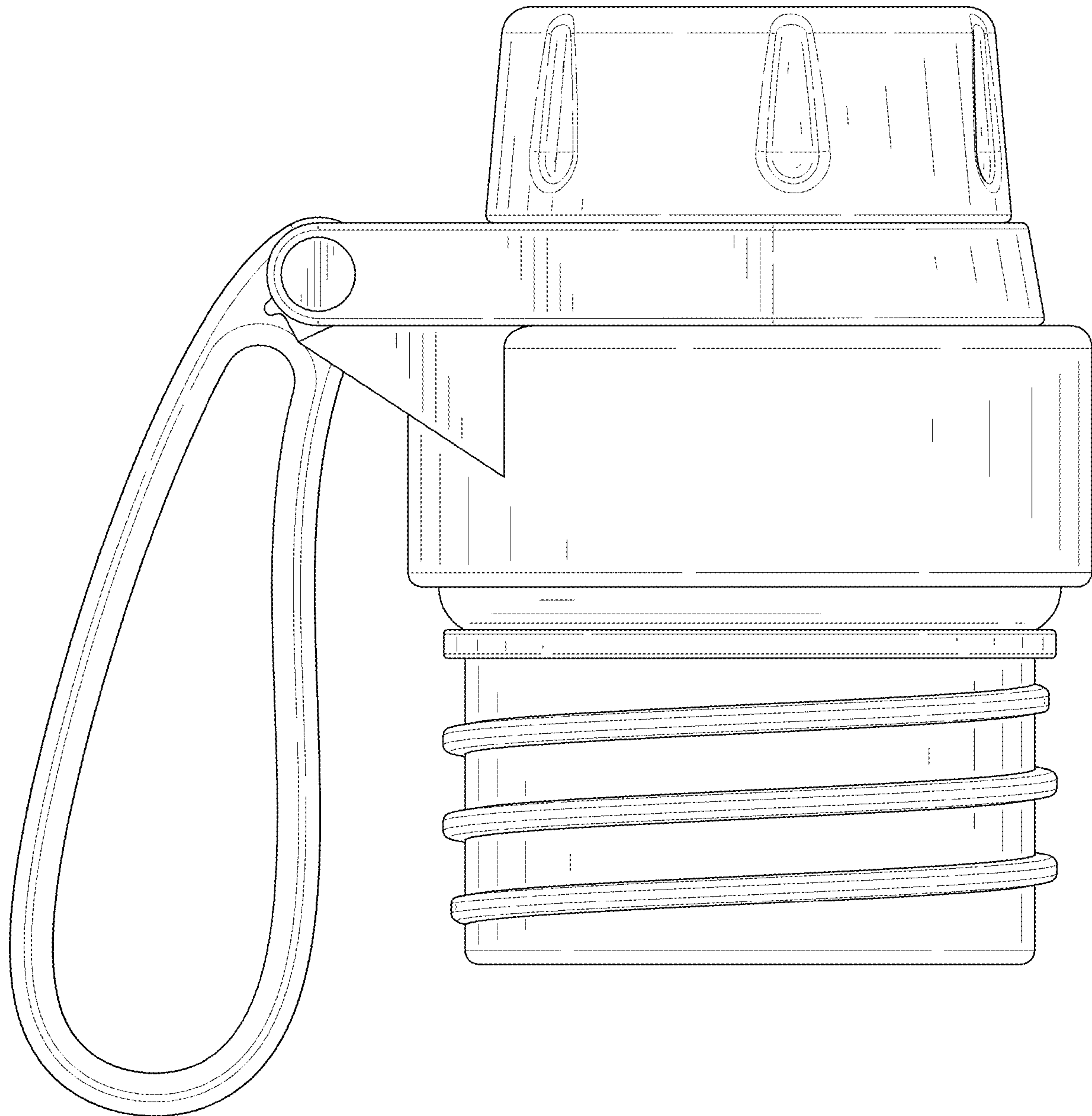


FIG. 5



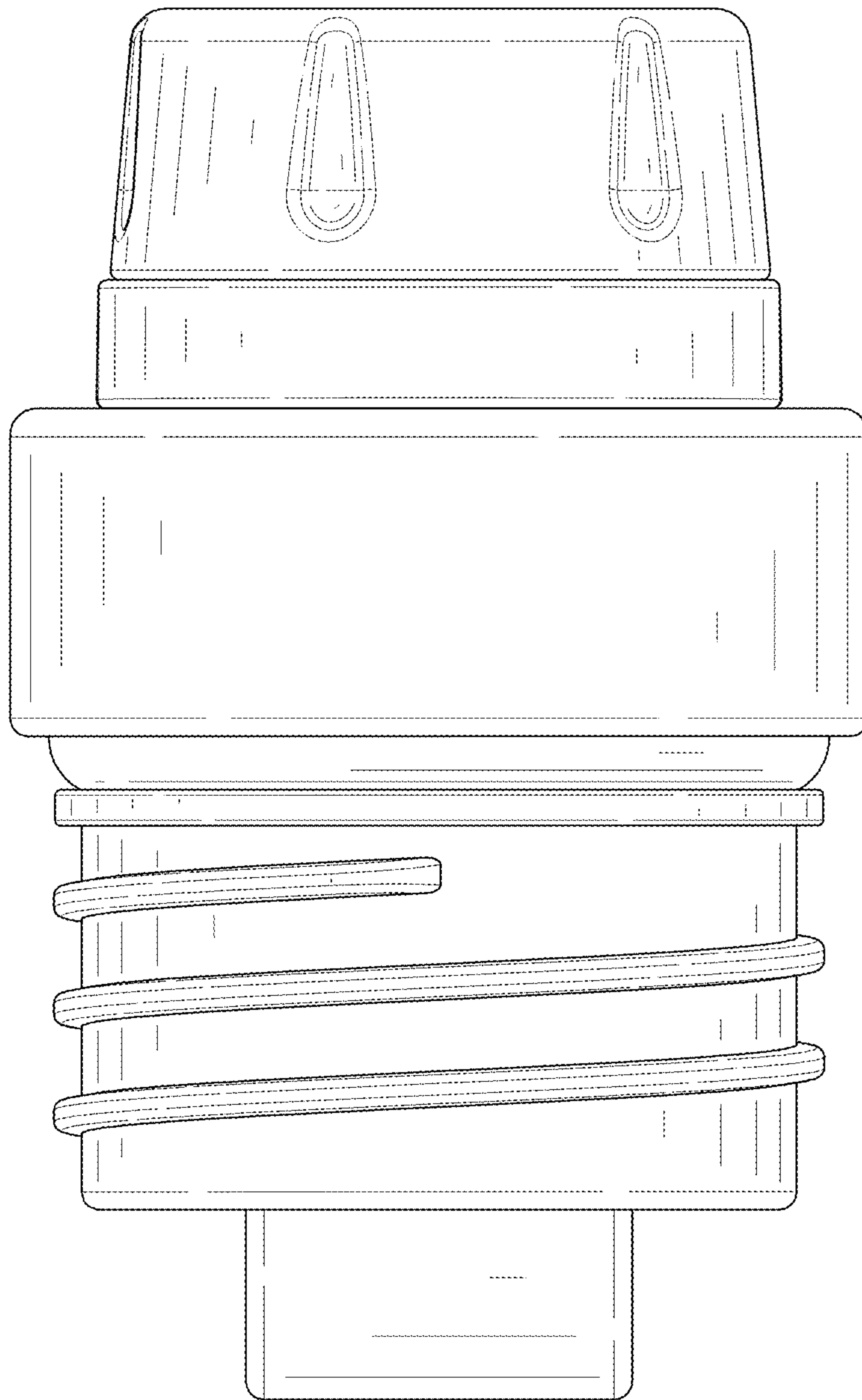


FIG. 6



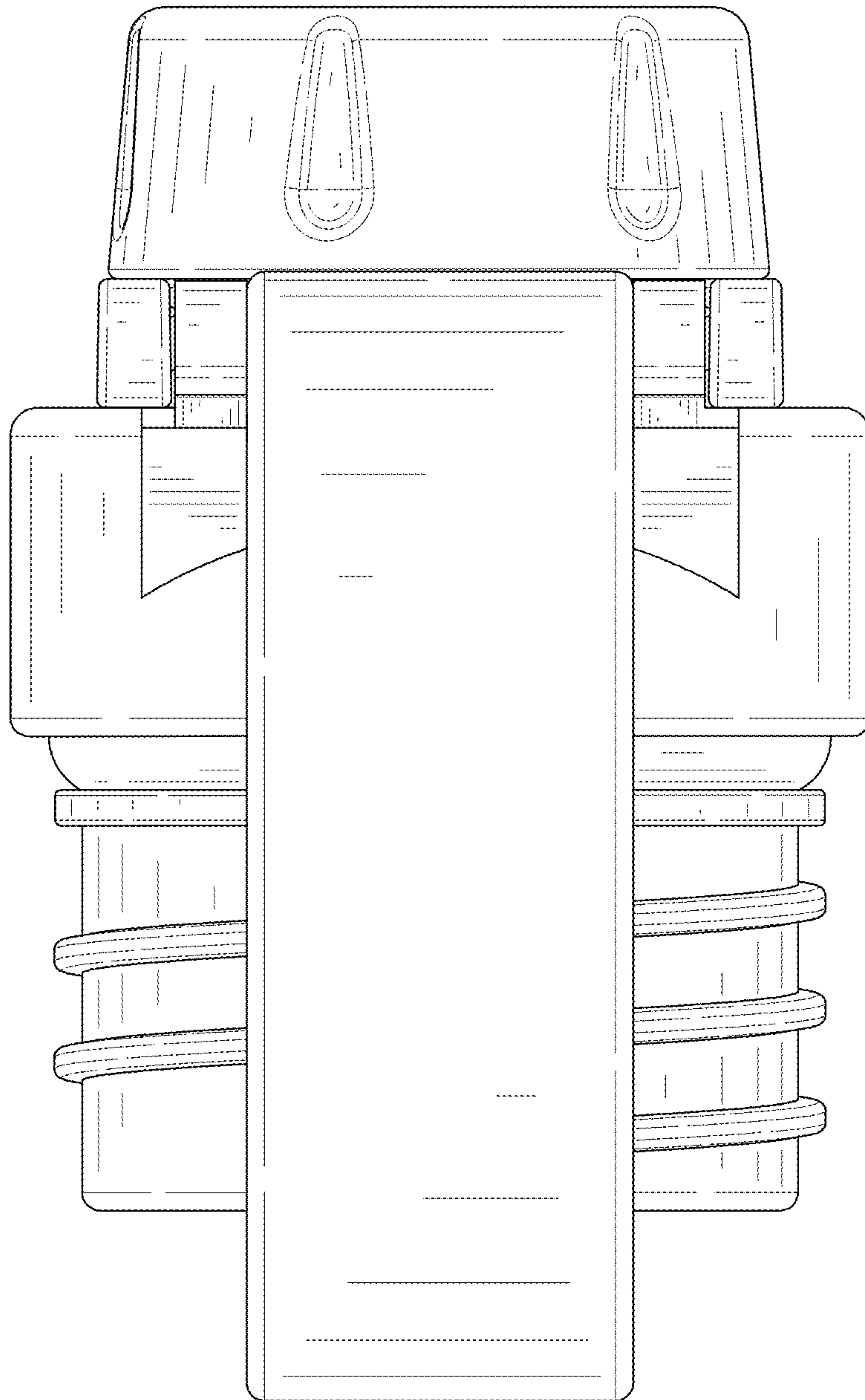


FIG. 7

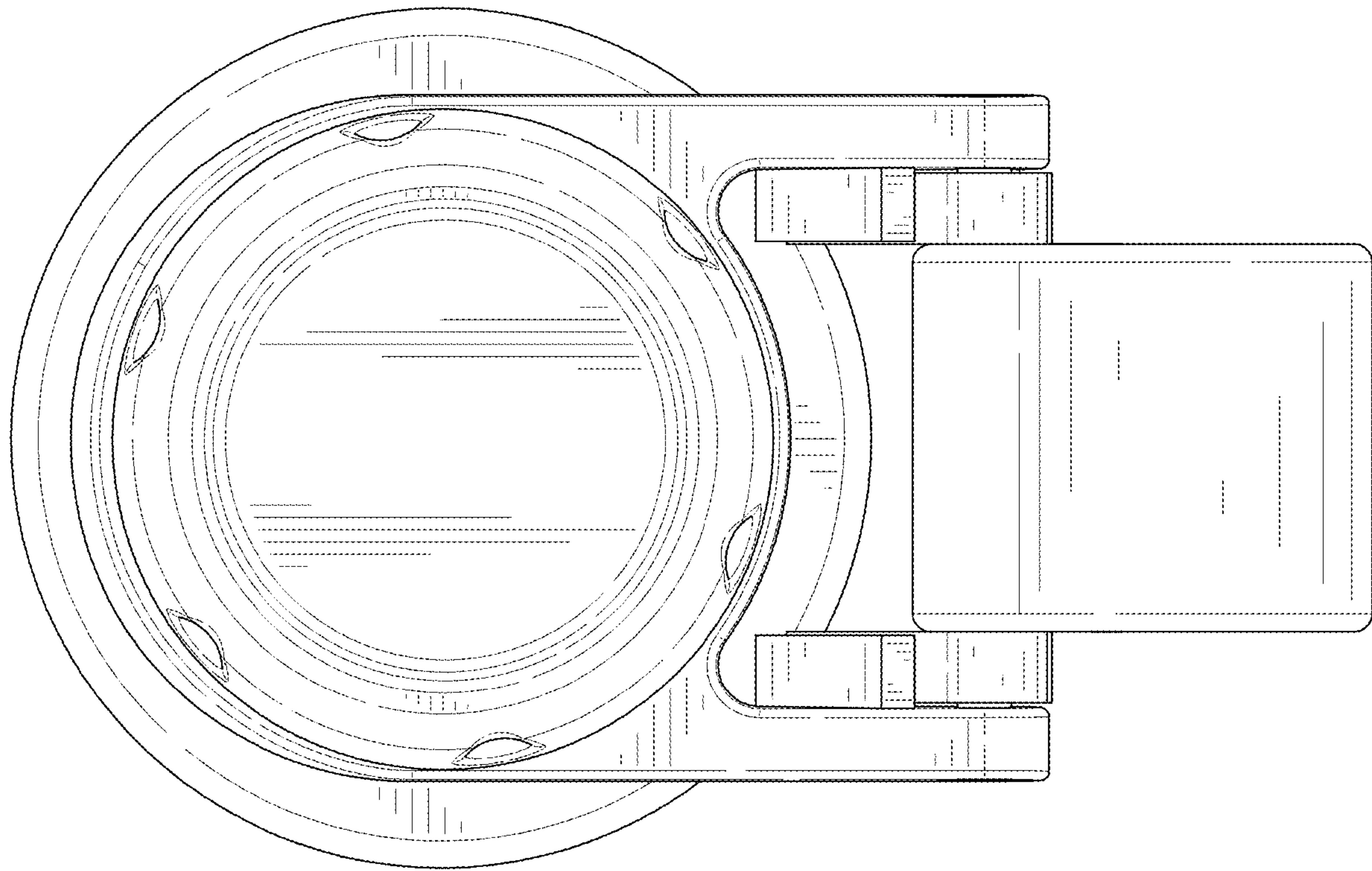


FIG. 8

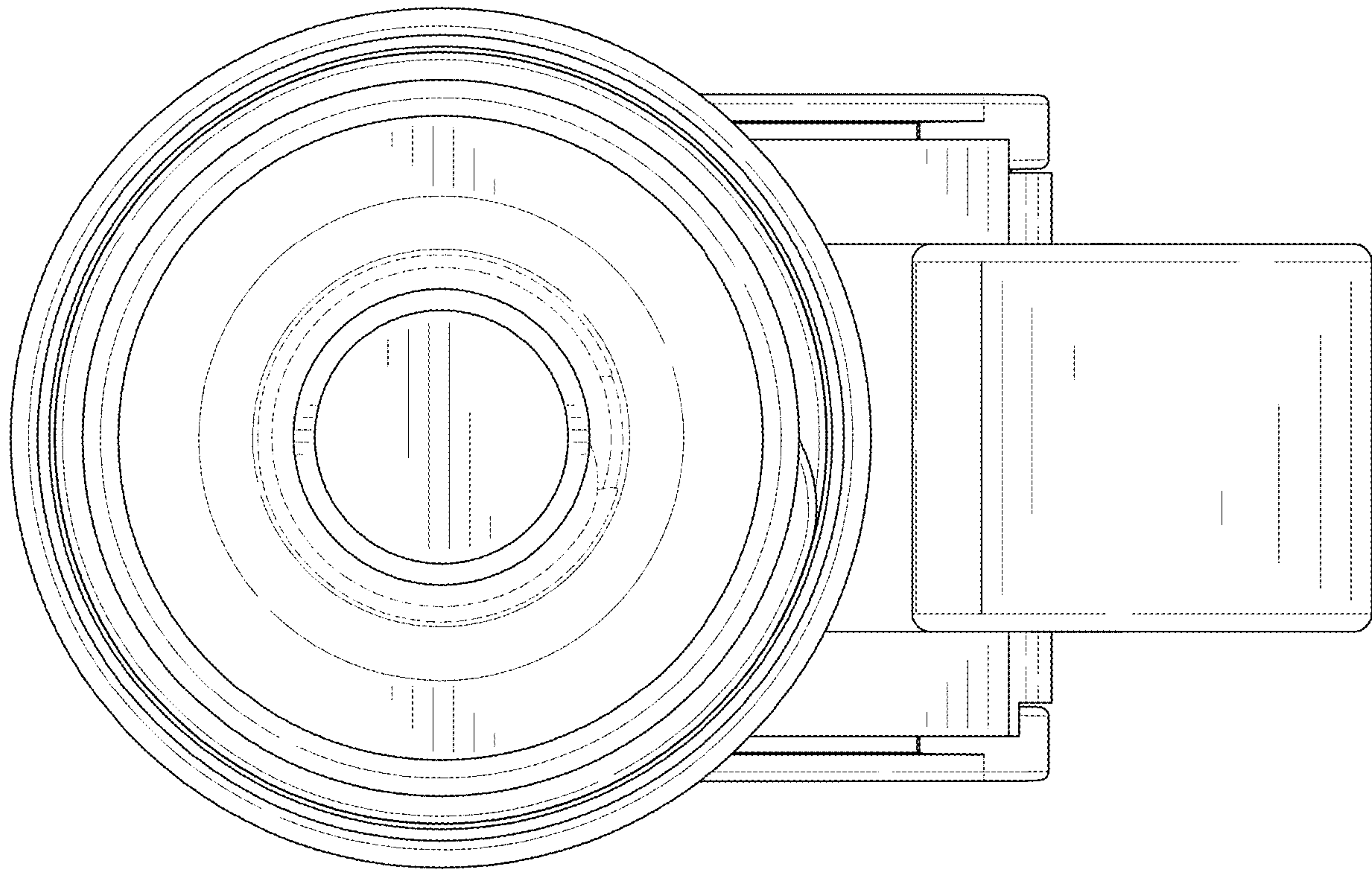


FIG. 9



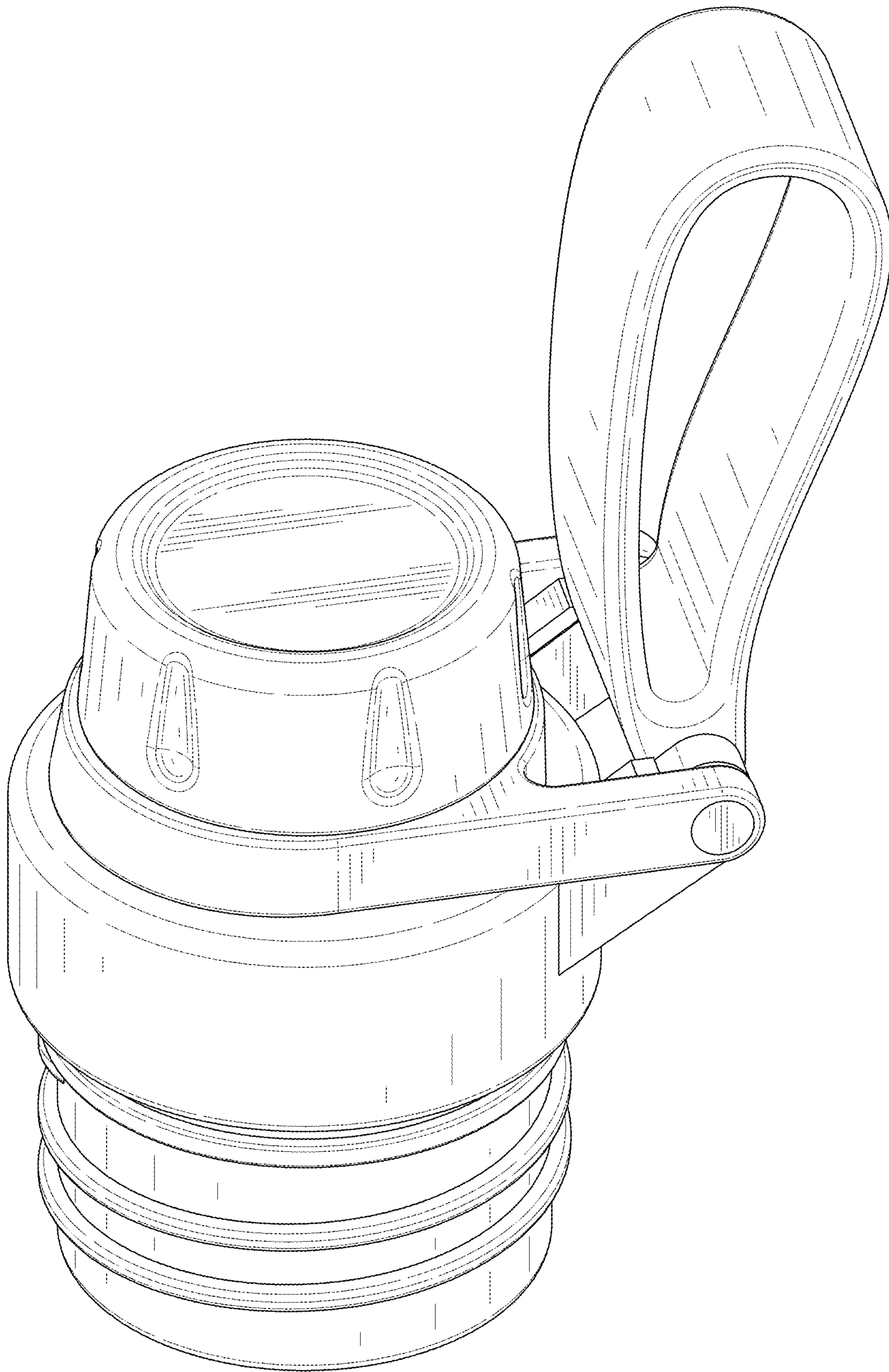


FIG. 10