



US00D944590S

(12) **United States Design Patent** (10) **Patent No.:** **US D944,590 S**  
**Berg et al.** (45) **Date of Patent:** **\*\* Mar. 1, 2022**

(54) **BLENDER BASE**

(56) **References Cited**

(71) Applicant: **Vita-Mix Management Corporation**,  
Olmsted Township, OH (US)

U.S. PATENT DOCUMENTS

(72) Inventors: **Jodi Berg**, Olmsted Township, OH  
(US); **Phonesacksith Guy Kettavong**,  
Medina, OH (US)

2,282,866 A 5/1942 Hagen  
4,335,860 A 6/1982 Grandel et al.  
4,471,915 A 9/1984 Levin et al.  
(Continued)

(73) Assignee: **VITA-MIX MANAGEMENT**  
**CORPORATION**, Olmsted Township,  
OH (US)

FOREIGN PATENT DOCUMENTS

CN 10904700 5/2012  
EP 0041082 12/1981  
(Continued)

(\*\*) Term: **15 Years**

OTHER PUBLICATIONS

(21) Appl. No.: **29/800,603**

(22) Filed: **Jul. 22, 2021**

Tribest Glass Personal Portable Blender. Date First Available on Amazon.com Jun. 27, 2017. <https://www.amazon.com/Tribest-PBG-5050-Personal-Blender-Chrome/dp/B073DWV2BH/ref> (Year: 2017).\*

**Related U.S. Application Data**

(62) Division of application No. 29/728,666, filed on Mar. 20, 2020, now Pat. No. Des. 927,923.

*Primary Examiner* — Ricky Pham

(51) **LOC (13) Cl.** ..... **31-00**

(74) *Attorney, Agent, or Firm* — McDonald Hopkins LLC

(52) **U.S. Cl.**

USPC ..... **D7/386**; D7/376; D7/378; D7/412;  
D7/413

(57) **CLAIM**

The ornamental design of a blender base, as shown and described.

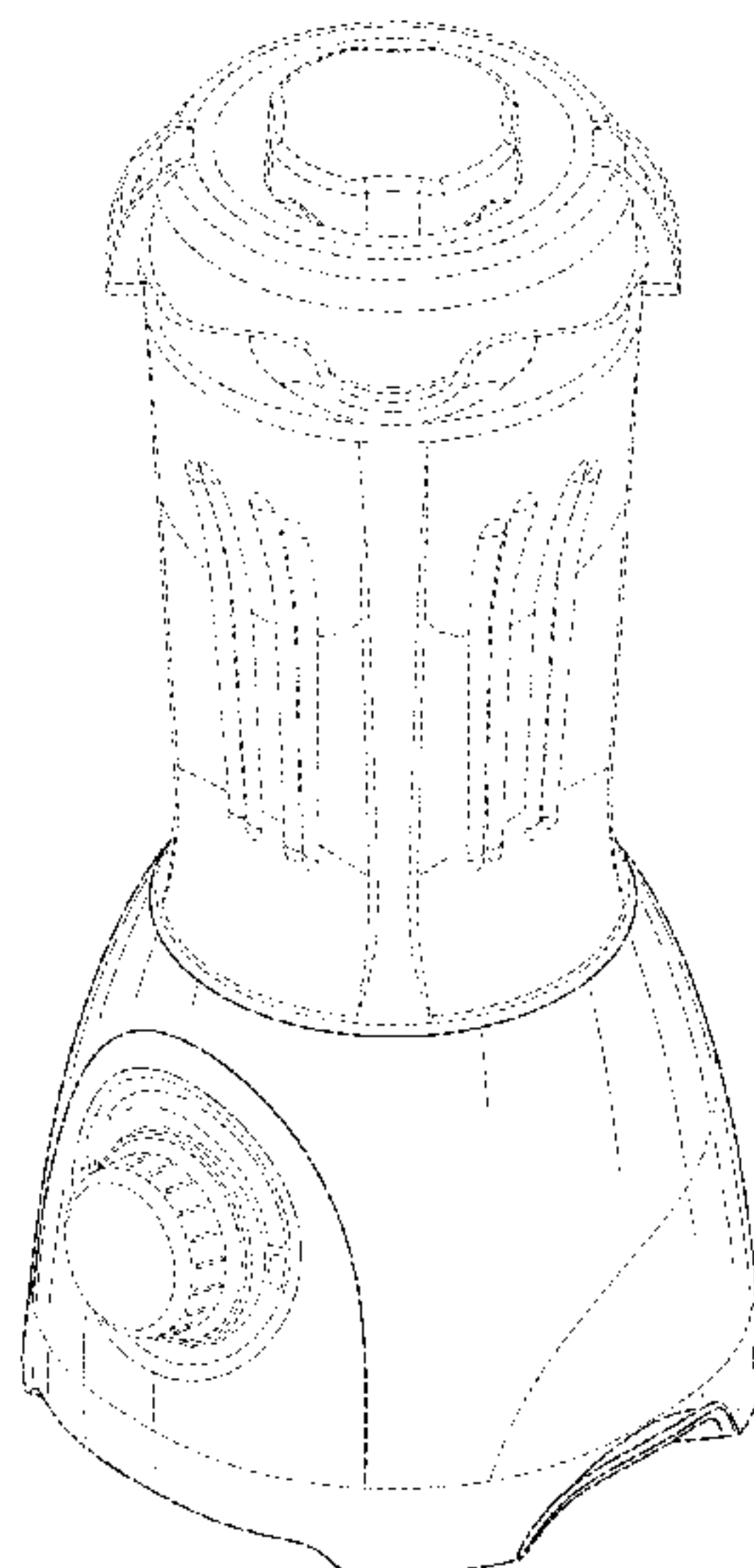
(58) **Field of Classification Search**

USPC ..... D7/372, 376–386, 412–413, 602, 629,  
D7/665–666, 669, 679, 693–694  
CPC .... A21C 1/02; A21C 1/04; A23N 1/00; A23N  
1/02; A47J 27/004; A47J 27/0813; A47J  
43/04; A47J 43/25; A47J 43/27; A47J  
43/042; A47J 43/044; A47J 43/046; A47J  
43/075; A47J 43/0722; A47J 43/0727;  
A47J 43/085; A47J 19/02; B01F 3/00;  
B01F 3/0807; B01F 3/0853; B01F  
13/0059; B01F 13/0064; B02C 1/08;  
B02C 2/04; B02C 4/42; B02C 4/142;  
B02C 4/143; B02C 4/423; B02C 13/1835;  
B02C 25/00; B28C 5/10; B28C 5/12;  
B28C 5/14; B28C 5/16; B65D 51/245  
See application file for complete search history.

**DESCRIPTION**

FIG. 1 is a perspective view of a blender base showing our new design;  
FIG. 2 is a front view thereof;  
FIG. 3 is a rear view thereof;  
FIG. 4 is a first side view thereof;  
FIG. 5 is a second side view thereof;  
FIG. 6 is a top view thereof; and,  
FIG. 7 is a bottom view thereof.  
The broken lines in the figures are included for the purpose of illustrating portions of a blender base and form no part of the claimed design.

**1 Claim, 7 Drawing Sheets**



(56)

References Cited

U.S. PATENT DOCUMENTS

4,678,881 A 7/1987 Griffith  
 4,913,555 A 4/1990 Maeda et al.  
 4,993,840 A 2/1991 Maeda et al.  
 5,273,358 A 12/1993 Byrne et al.  
 5,274,207 A 12/1993 Griffith  
 5,368,384 A 11/1994 Duncan et al.  
 5,478,149 A 12/1995 Quigg  
 5,567,049 A 10/1996 Beaudet et al.  
 5,655,834 A 8/1997 Dickson  
 5,855,431 A 1/1999 Costanzo  
 6,095,677 A 8/2000 Karkos, Jr. et al.  
 6,149,035 A 11/2000 Gorski et al.  
 6,210,033 B1 4/2001 Karkos, Jr. et al.  
 6,318,247 B1 11/2001 Di Nunzio et al.  
 6,325,312 B1 12/2001 Karkos, Jr.  
 6,336,603 B1 1/2002 Karkos, Jr. et al.  
 6,416,215 B1 7/2002 Terentiev  
 6,460,368 B1 10/2002 Grande Damaso  
 6,494,390 B1 12/2002 Khait et al.  
 6,513,966 B1 2/2003 Gort-Barten et al.  
 6,540,394 B2 4/2003 Juriga  
 6,554,466 B1 4/2003 Lee  
 6,568,843 B1 5/2003 Lai  
 6,595,113 B1 7/2003 Chang  
 6,629,492 B1 10/2003 Li  
 6,637,681 B1 10/2003 Pianca et al.  
 6,712,497 B2 3/2004 Jersey et al.  
 6,758,593 B1 7/2004 Terentiev  
 6,793,167 B2 9/2004 Karkos, Jr. et al.  
 6,899,454 B2 5/2005 Terentiev  
 6,910,800 B2 6/2005 Wu  
 D543,072 S 5/2007 Ting et al.  
 7,270,156 B2 9/2007 Beesley et al.  
 D553,425 S 10/2007 Steiner et al.  
 7,314,307 B2 1/2008 Cai  
 7,318,666 B1 1/2008 Lin  
 7,407,320 B1 8/2008 Lin  
 7,530,510 B2 5/2009 Newman et al.  
 D597,372 S 8/2009 Nordwall et al.  
 7,871,196 B2 1/2011 Lin  
 7,905,728 B2 3/2011 Piontek  
 8,087,818 B2 1/2012 Drees  
 8,186,872 B2 5/2012 Bartholomew et al.  
 8,220,730 B2 7/2012 Ferraby et al.  
 8,230,774 B1 7/2012 Hunte  
 8,240,909 B2 8/2012 Athey et al.  
 8,282,268 B2 10/2012 Karkos, Jr. et al.  
 8,360,480 B2 1/2013 Athey et al.  
 8,376,253 B2 2/2013 Obiak et al.  
 8,403,555 B2 3/2013 Wu  
 8,403,556 B2 3/2013 Wu  
 8,480,292 B2 7/2013 Dunshine et al.  
 8,550,388 B2 10/2013 Donaldson et al.  
 8,608,371 B2 12/2013 Bartholomew et al.  
 8,621,982 B2 1/2014 Nosier et al.  
 8,621,990 B2 1/2014 Fang et al.  
 8,702,300 B2 4/2014 Audette  
 8,814,072 B2 8/2014 Gushwa  
 D759,424 S 6/2016 Ou  
 D782,865 S 4/2017 Bazzicalupo et al.  
 D784,071 S 4/2017 Davies

D794,385 S \* 8/2017 Lee ..... D7/386  
 D801,109 S 10/2017 Lee  
 D815,887 S 4/2018 Huang et al.  
 D820,033 S 6/2018 Zhang  
 D838,539 S 1/2019 Shin  
 D845,696 S 4/2019 Ou  
 D863,870 S 10/2019 Powell  
 D895,348 S \* 9/2020 Vignau-Lous ..... D7/377  
 D896,566 S \* 9/2020 Wang ..... D7/378  
 D904,822 S 12/2020 Koszylko  
 D927,923 S \* 8/2021 Berg ..... D7/386  
 2002/0071340 A1 6/2002 Juriga  
 2005/0068847 A1 3/2005 Sands  
 2005/0174882 A1 8/2005 Krasne et al.  
 2006/0176765 A1 8/2006 Pryor et al.  
 2006/0286255 A1 12/2006 Xu et al.  
 2008/0037360 A1 2/2008 McGill  
 2008/0089170 A1 4/2008 Larsen et al.  
 2008/0098905 A1 5/2008 Steiner et al.  
 2008/0198688 A1 8/2008 Peng  
 2008/0212403 A1 \* 9/2008 Garman ..... A47J 43/0727  
 366/205  
 2008/0264927 A1 10/2008 Peng  
 2009/0084274 A1 4/2009 Kovacic et al.  
 2009/0186139 A1 7/2009 Dragan  
 2009/0260523 A1 10/2009 Peng  
 2010/0018982 A1 1/2010 Liu  
 2010/0046323 A1 2/2010 Tien et al.  
 2010/0071219 A1 \* 3/2010 Lin ..... A47J 43/0722  
 30/300  
 2011/0108647 A1 \* 5/2011 Buzian ..... A47J 43/085  
 241/98  
 2011/0232506 A1 9/2011 Cai  
 2011/0241503 A1 10/2011 Simon  
 2011/0248108 A1 10/2011 Carriere  
 2012/0206995 A1 8/2012 Wu  
 2012/0275852 A1 11/2012 Athey et al.  
 2012/0294109 A1 11/2012 Boozer  
 2013/0028044 A1 1/2013 Karkos, Jr. et al.  
 2013/0043337 A1 2/2013 Rukavina et al.  
 2013/0319034 A1 12/2013 Kounlavong et al.  
 2013/0344204 A1 12/2013 Goodson  
 2014/0116262 A1 \* 5/2014 Cheung ..... A47J 27/004  
 99/348  
 2014/0212566 A1 7/2014 Herbert et al.  
 2016/0130052 A1 \* 5/2016 Stenglein ..... B65D 51/245  
 220/212  
 2016/0198881 A1 \* 7/2016 Lee ..... A47J 19/02  
 99/495  
 2017/0086623 A1 \* 3/2017 Lee ..... B02C 25/00

FOREIGN PATENT DOCUMENTS

EP 1647217 4/2006  
 EP 1688046 8/2006  
 WO 2014008926 1/2014  
 WO 2014009339 1/2014  
 WO 2014121838 8/2014  
 WO 2014122254 8/2014  
 WO 2014122257 8/2014  
 WO 2014122260 8/2014

\* cited by examiner



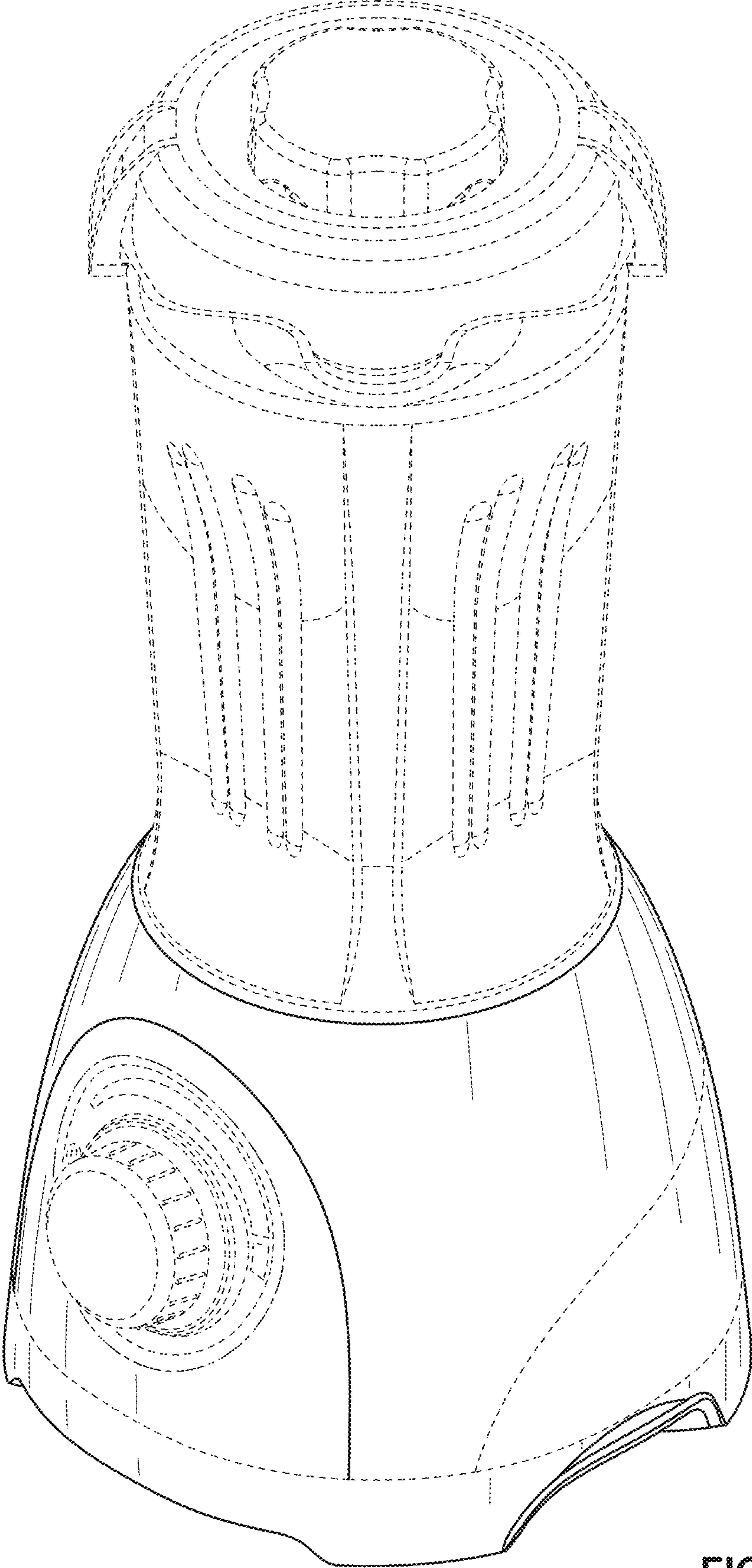


FIG. 1

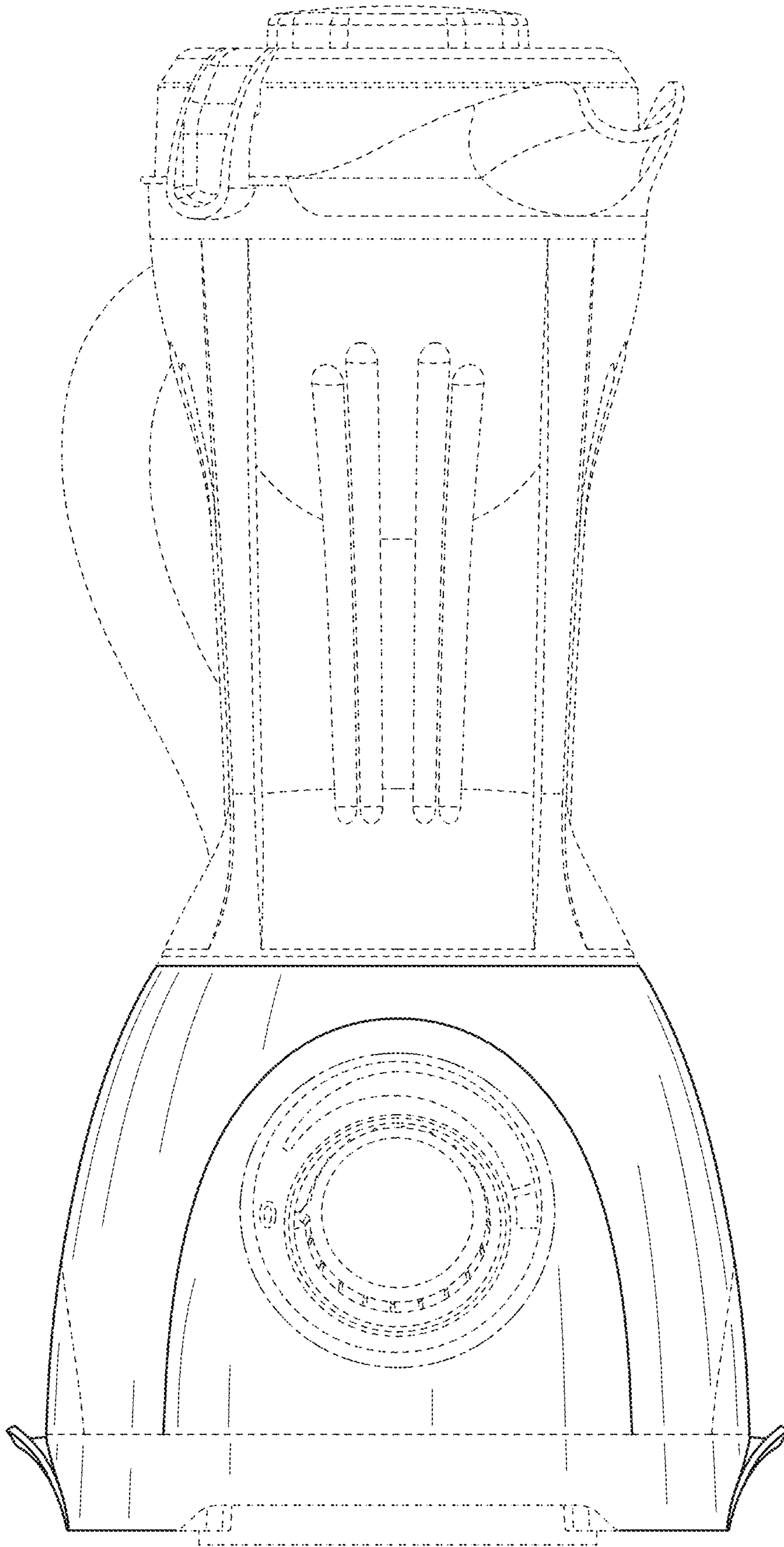


FIG. 2

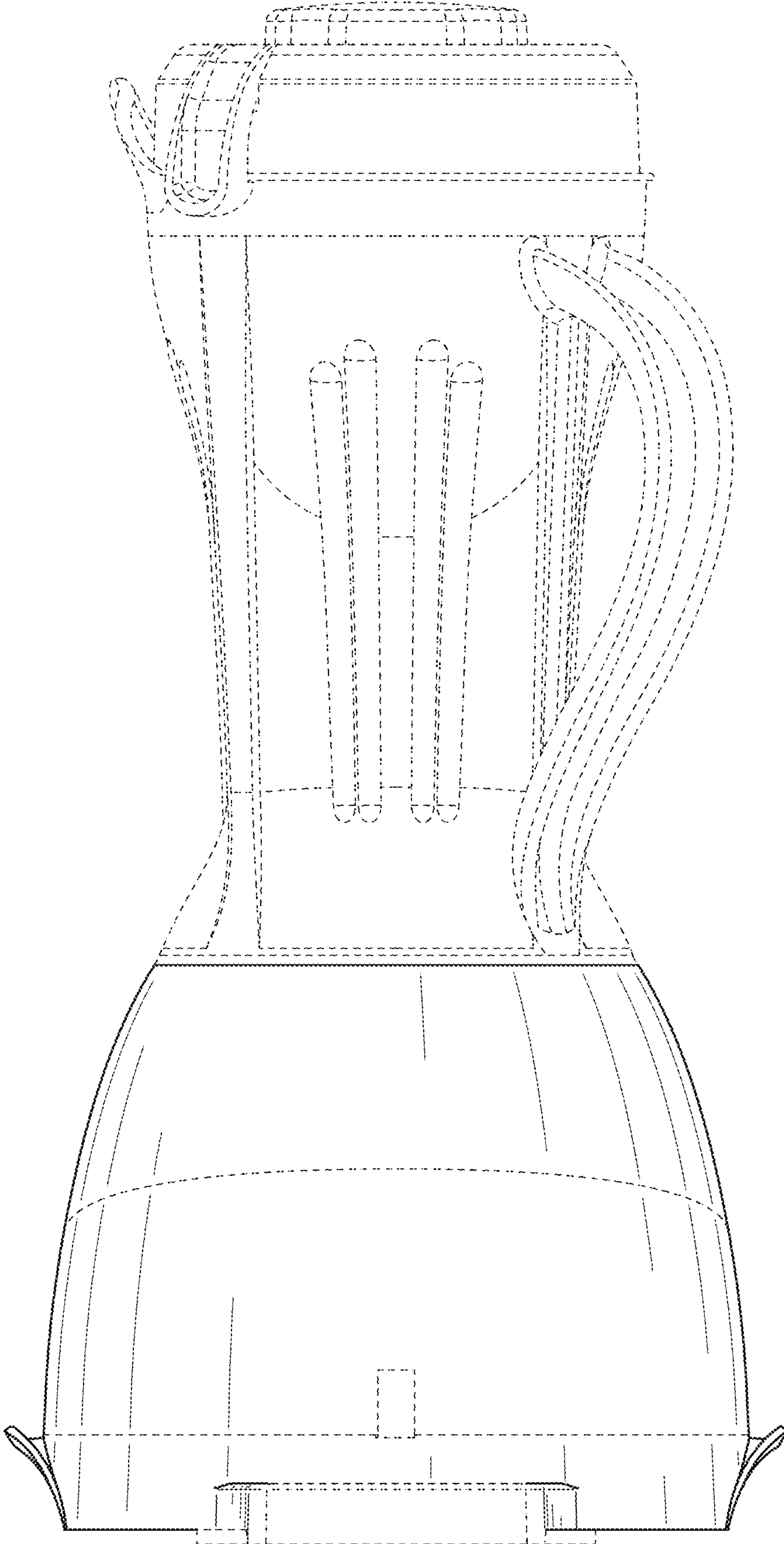


FIG. 3

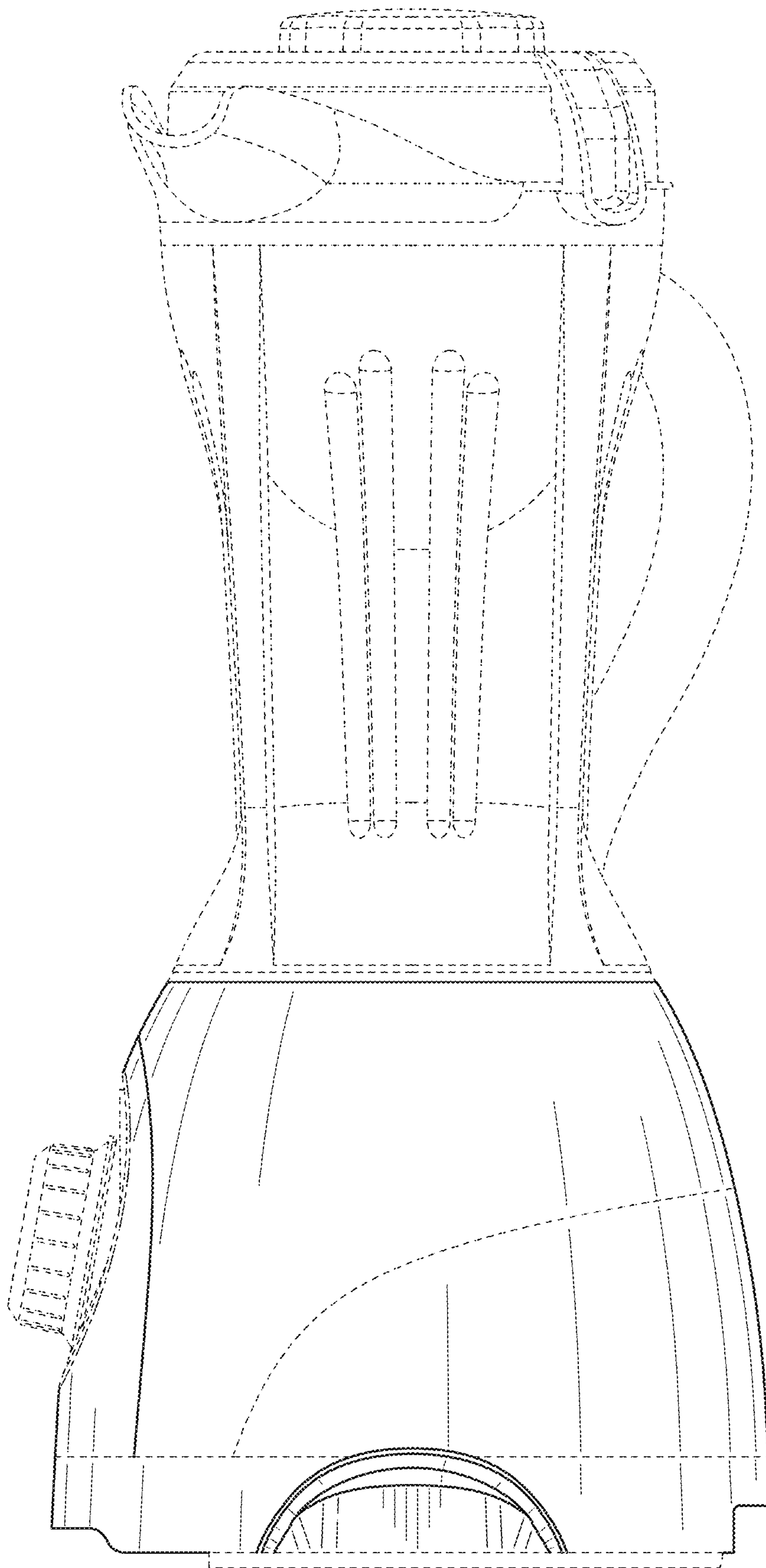


FIG. 4



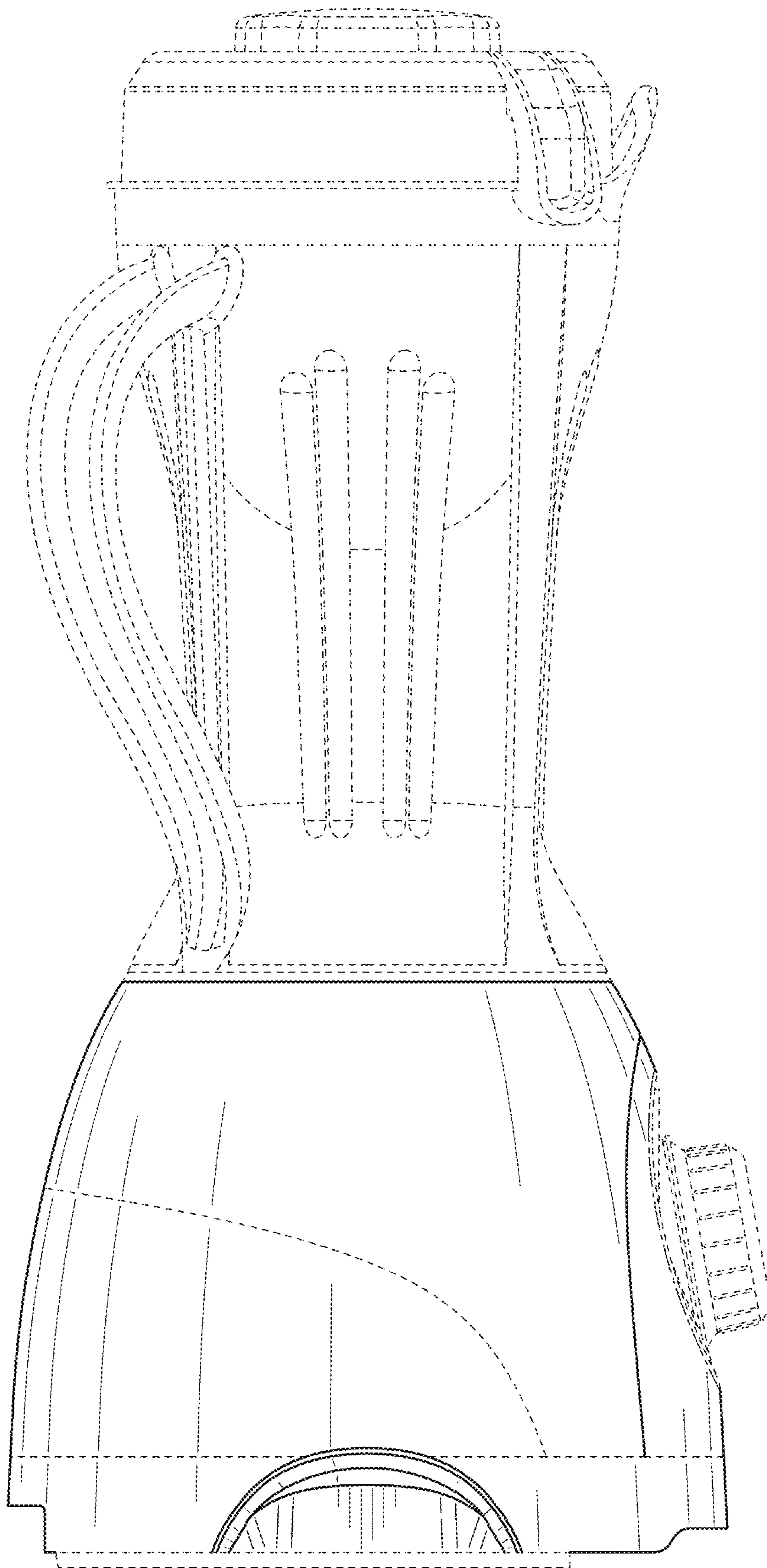


FIG.5

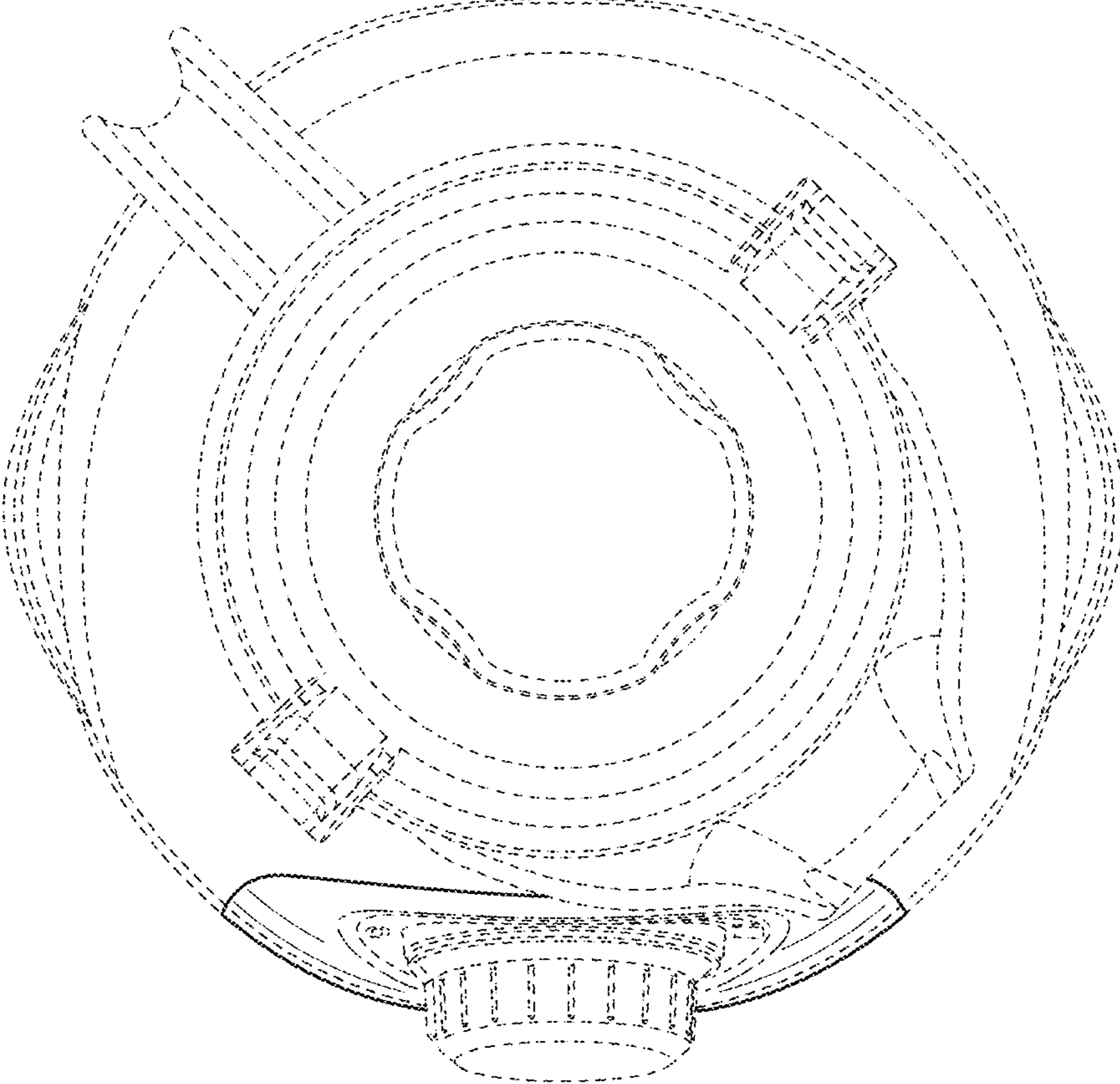


FIG. 6



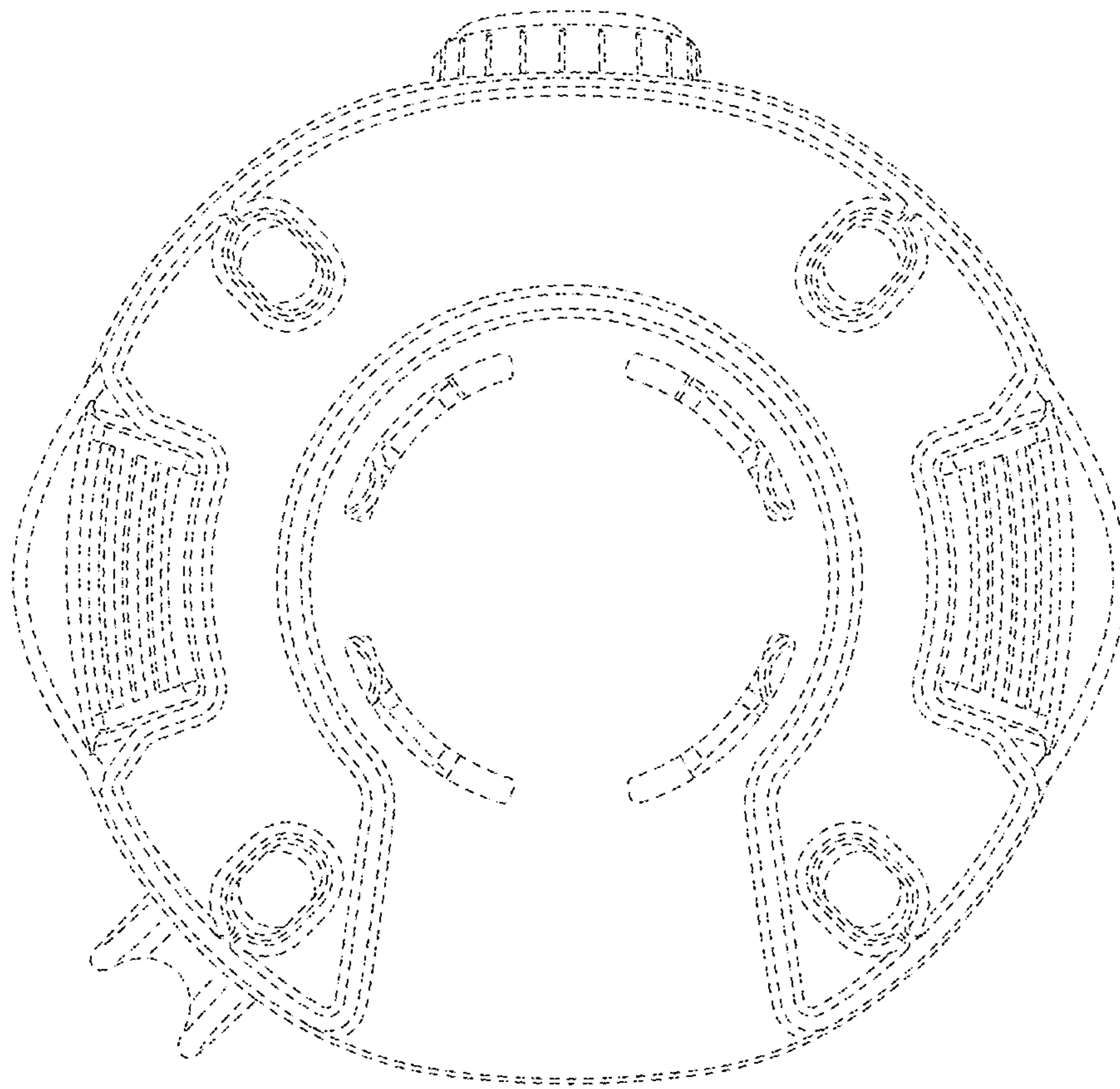


FIG. 7