



US00D944587S

(12) **United States Design Patent**
Chen

(10) **Patent No.:** **US D944,587 S**

(45) **Date of Patent:** **** Mar. 1, 2022**

(54) **BAKING MOLD**

(71) Applicant: **Yung-Wen Chen**, Xinbei (CN)

(72) Inventor: **Yung-Wen Chen**, Xinbei (CN)

(**) Term: **15 Years**

(21) Appl. No.: **29/747,425**

(22) Filed: **Aug. 21, 2020**

(51) **LOC (13) Cl.** **07-03**

(52) **U.S. Cl.**
USPC **D7/357**; D7/354

(58) **Field of Classification Search**
USPC D3/313; D7/323, 354–363, 409, 543,
D7/545, 549, 550.1, 553.1–553.8,
D7/554.1–554.4, 555, 584, 586;
D9/430–433, 455–456, 737, 756–762
CPC A21B 3/00; A21B 3/13; A21B 3/15; A21B
3/134; A21B 3/139; A21B 5/00; A21B
5/02; A47J 36/022; A47J 36/025; A47J
36/027; A47J 37/00; A47J 37/04; A47J
45/10; B65D 1/22; B65D 1/24; B65D
1/34; B65D 1/36; B65D 81/343; B65D
85/36

See application file for complete search history.

(56) **References Cited**

U.S. PATENT DOCUMENTS

1,671,450 A * 5/1928 Ross A21B 3/139
99/447
D223,145 S * 3/1972 Bloch D9/456

4,195,747 A * 4/1980 Hare A21B 3/134
220/23.2
D451,676 S * 12/2001 Dembicks D3/313
D591,175 S * 4/2009 Larson D9/425
D616,250 S * 5/2010 Peyton D7/553.3
D701,418 S * 3/2014 Tingley D7/357
D713,196 S * 9/2014 Sarnoff D7/357
D814,929 S * 4/2018 Bergeron D9/456
D871,234 S * 12/2019 Grove D9/761
D891,273 S * 7/2020 Atalay D9/759
D921,416 S * 6/2021 Chen D7/357
D922,128 S * 6/2021 Li D7/357

* cited by examiner

Primary Examiner — Ricky Pham

(74) *Attorney, Agent, or Firm* — Wang Law Firm, Inc.

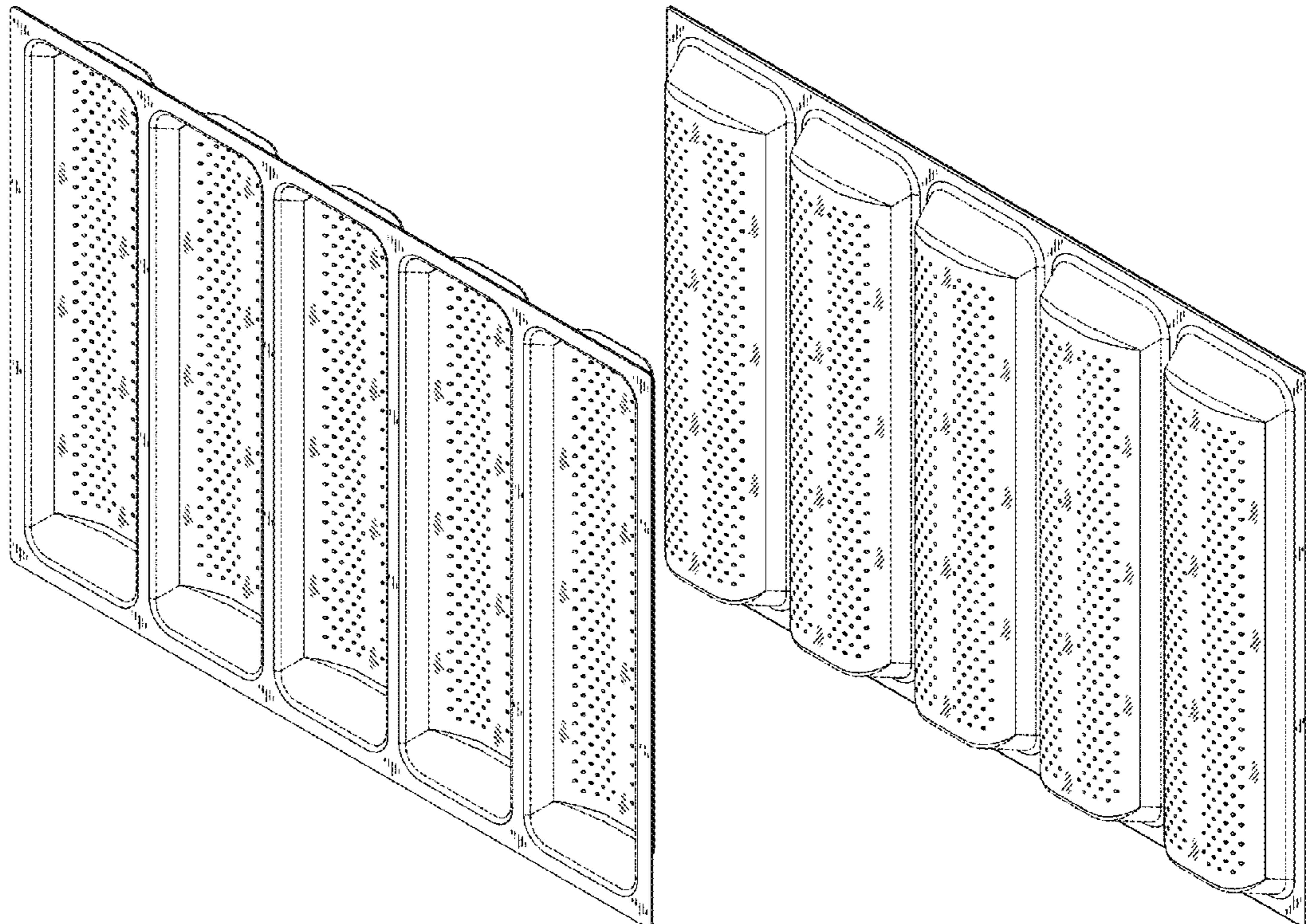
(57) **CLAIM**

The ornamental design for a baking mold, as shown and described.

DESCRIPTION

FIG. 1 is a front perspective view of a baking mold showing my new design;
FIG. 2 is a rear perspective view thereof;
FIG. 3 is a top view thereof;
FIG. 4 is a front view thereof;
FIG. 5 is a right view thereof;
FIG. 6 is a left view thereof;
FIG. 7 is a rear view thereof; and,
FIG. 8 is a bottom view thereof.
The broken lines shown in the drawings are for illustrative purposes only and form no part of the claimed design.

1 Claim, 4 Drawing Sheets



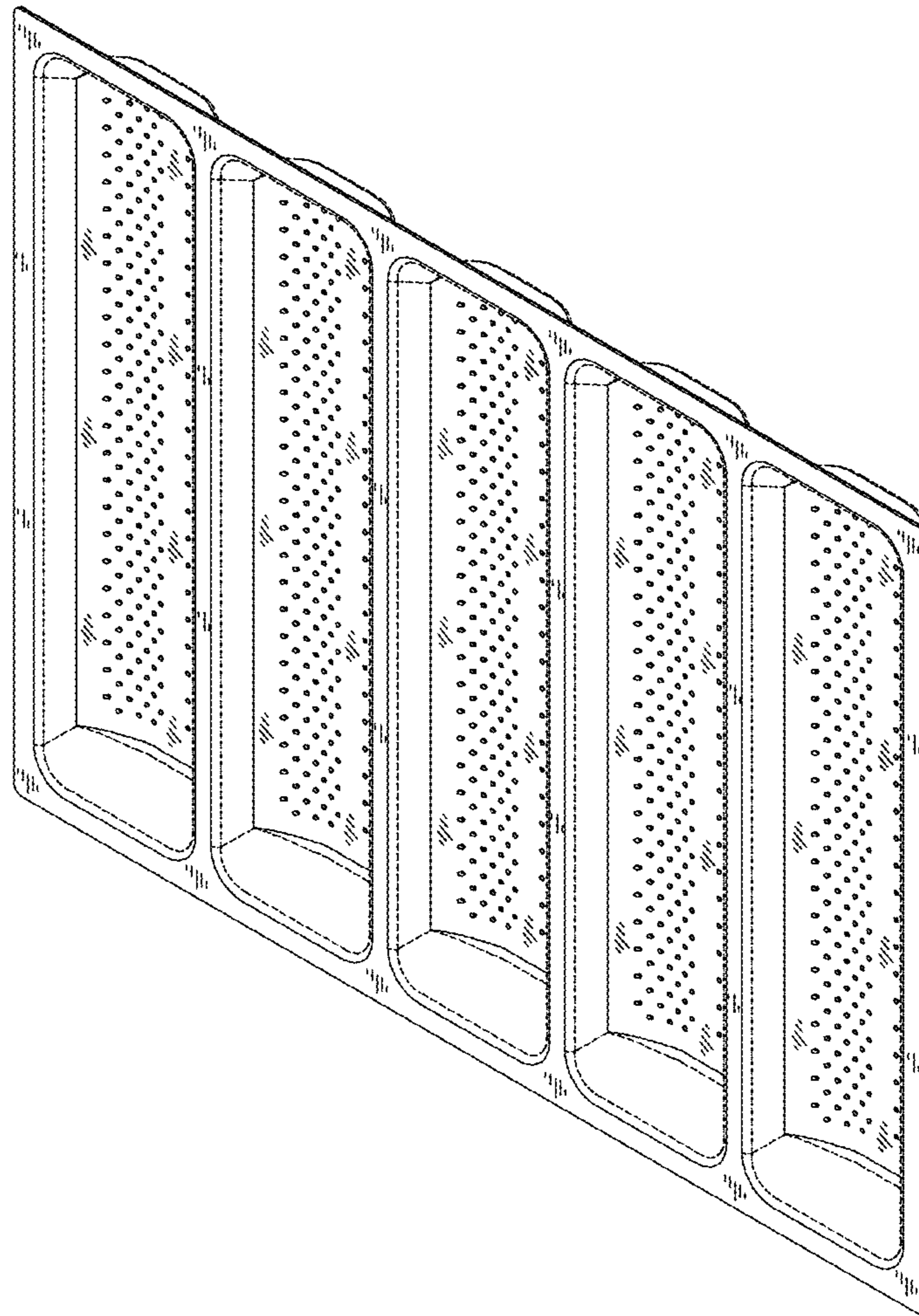


FIG.1

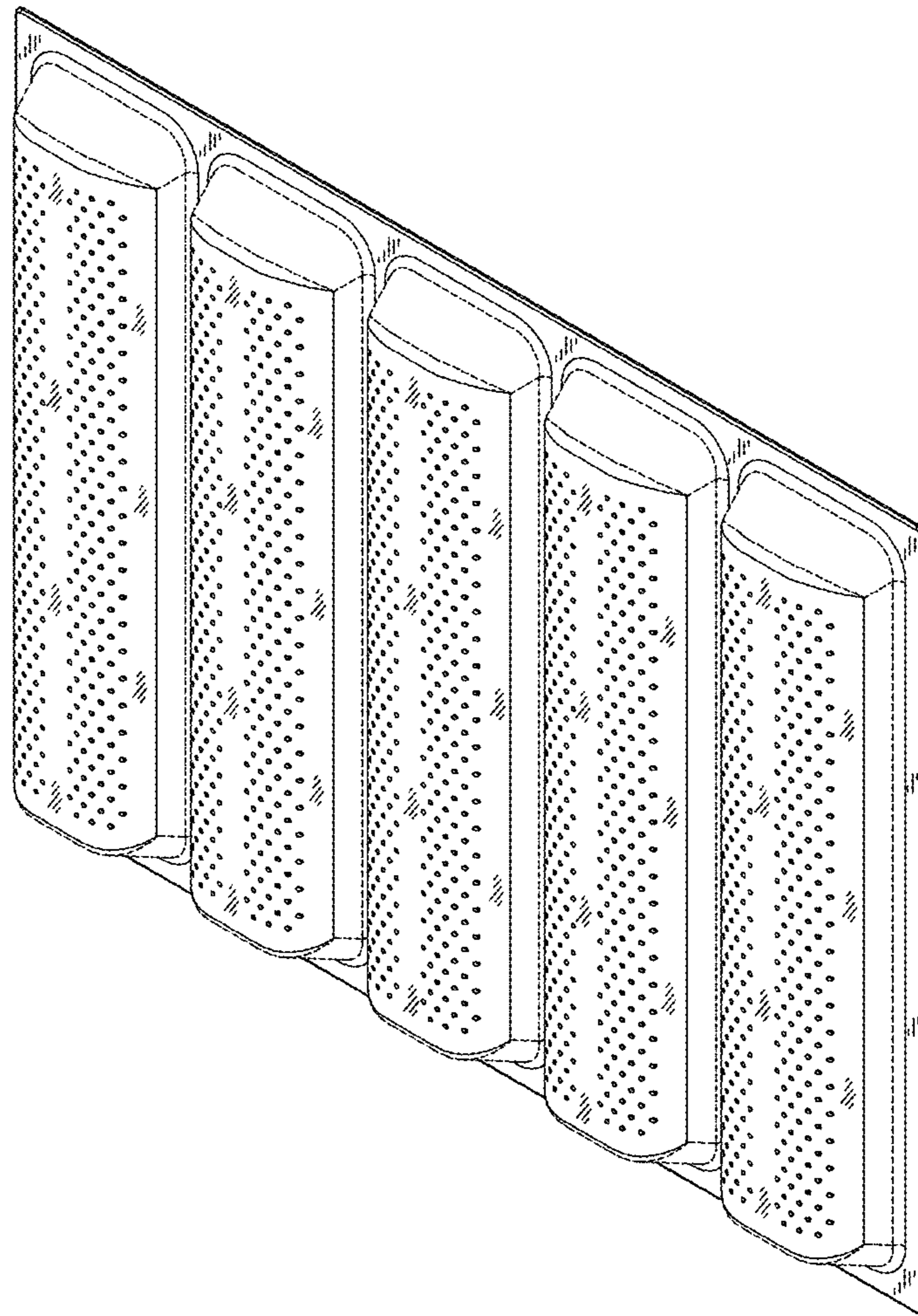


FIG.2



FIG.3

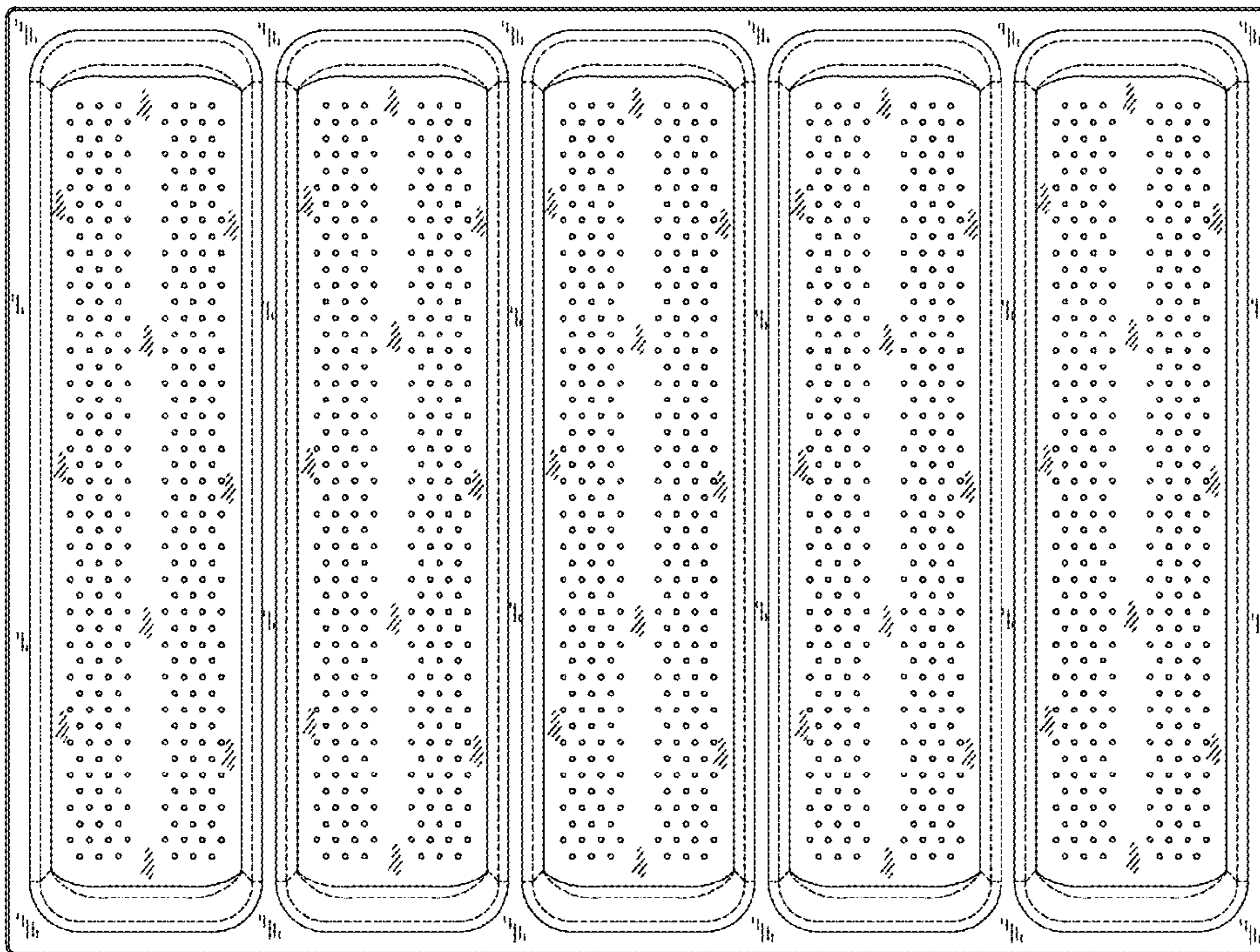


FIG.4

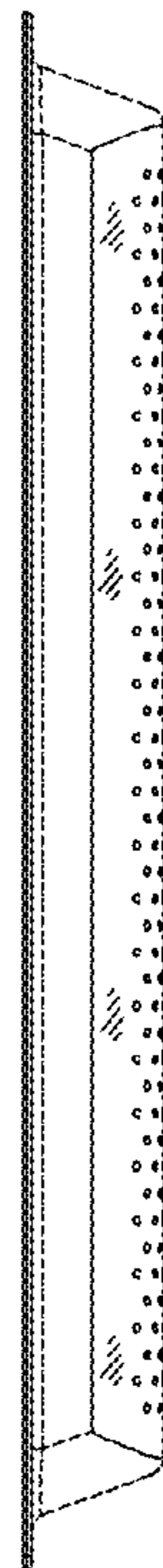


FIG.5

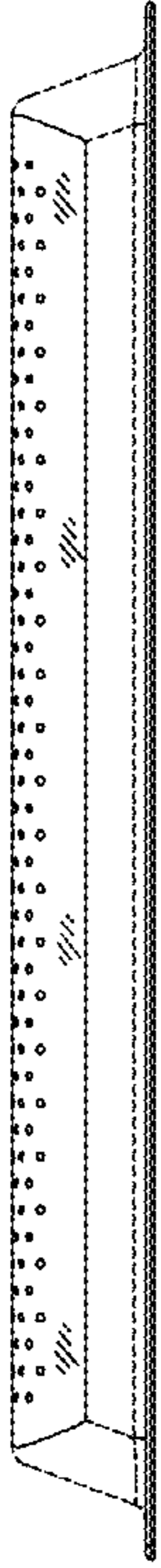


FIG. 6

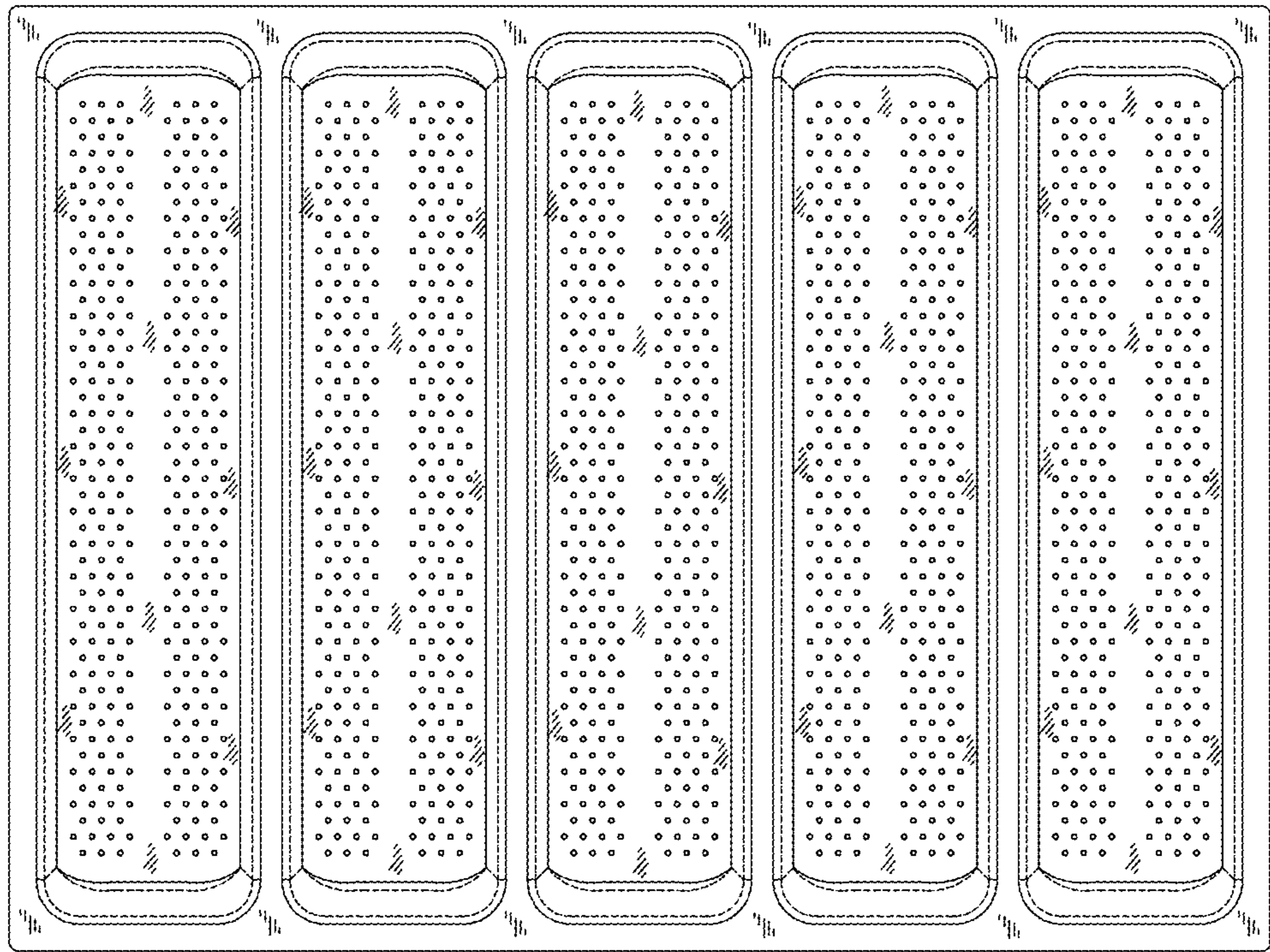


FIG. 7

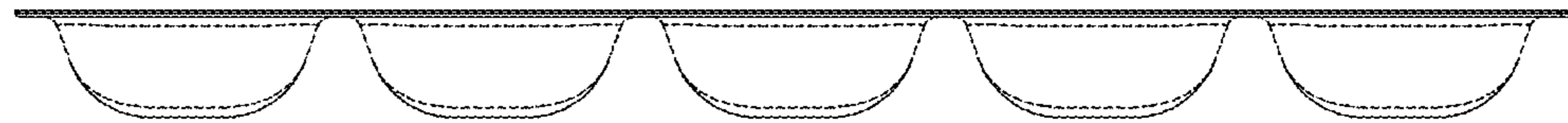


FIG. 8