

US00D944586S

(12) **United States Design Patent** (10) **Patent No.:** **US D944,586 S**  
**Grienay et al.** (45) **Date of Patent:** **\*\* Mar. 1, 2022**

(54) **IMMERSION HEATER**

(71) Applicant: **SEB**, Selongey (FR)

(72) Inventors: **Arnaud Grienay**, Lyons (FR); **Jérémy Cornu**, Lyons (FR)

(73) Assignee: **SEB**, Selongey (FR)

(\*\*) Term: **15 Years**

(21) Appl. No.: **29/722,130**

(22) Filed: **Jan. 27, 2020**

(30) **Foreign Application Priority Data**

Jul. 29, 2019 (EM) ..... 006652129-0001  
Jul. 29, 2019 (EM) ..... 006652129-0002  
Jul. 29, 2019 (EM) ..... 006652129-0003  
Jul. 29, 2019 (EM) ..... 006652129-0004  
Jul. 29, 2019 (EM) ..... 006652129-0005

(51) **LOC (13) Cl.** ..... **07-02**

(52) **U.S. Cl.**  
USPC ..... **D7/354**

(58) **Field of Classification Search**  
USPC ..... D7/323, 331, 354, 368, 376, 380, 387,  
D7/412, 415, 667-669, 682; D10/50, 57;  
D13/107, 145  
CPC .... A23L 5/13; A47J 27/10; A47J 36/24; A47J  
36/2405; H05B 3/42; H05B 3/80  
See application file for complete search history.

(56) **References Cited**

**U.S. PATENT DOCUMENTS**

1,774,635 A \* 9/1930 Conklin ..... H05B 3/80  
219/533  
D131,020 S \* 1/1942 Flood ..... D7/693  
D585,708 S \* 2/2009 Gransbury ..... D7/682  
D757,892 S \* 5/2016 Walker ..... D23/213  
D836,967 S \* 1/2019 Lin ..... G05B 15/02  
D7/354

D850,844 S \* 6/2019 Yang ..... D7/368  
D853,776 S \* 7/2019 Xu ..... D7/354  
D862,154 S \* 10/2019 Van Den Nieuwenhuizen .....  
H05B 3/42  
D7/362  
D881,636 S \* 4/2020 Symons ..... D7/380  
10,917,944 B2 \* 2/2021 West ..... H05B 3/42  
D914,435 S \* 3/2021 Upston ..... H05B 3/80  
D7/362

(Continued)

**OTHER PUBLICATIONS**

Electra 3150SS SafeHete, first available Nov. 29, 2011, Amazon, [online], [site visited Dec. 9, 2021], Available from internet URL: <https://www.amazon.com/Electra-SafeHete-All-Purpose-Portable-Insulated/dp/B000R051DE> (Year: 2011).\*

*Primary Examiner* — Mary Ann Calabrese  
*Assistant Examiner* — Natalya M Rapundalo  
(74) *Attorney, Agent, or Firm* — Loeb & Loeb LLP

(57) **CLAIM**

The ornamental design for an immersion heater, as shown and described.

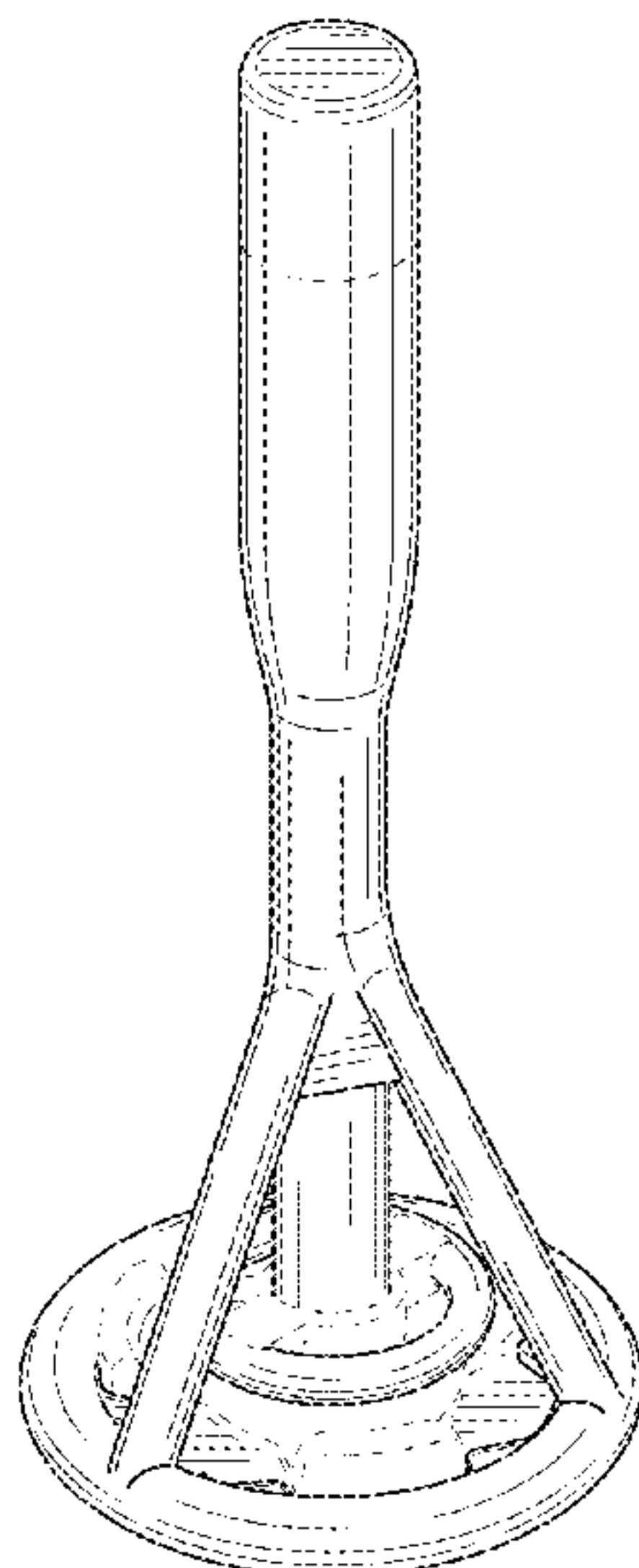
**DESCRIPTION**

FIG. 1 is a perspective view of an immersion heater showing our new design;  
FIG. 2 is a right side elevational view thereof;  
FIG. 3 is a left side elevational view thereof;  
FIG. 4 is a front elevational view thereof  
FIG. 5 is a back elevational view thereof;  
FIG. 6 is a top view thereof; and,  
FIG. 7 is a bottom view thereof.

The dashed broken lines appearing in the figures are for the purpose of illustrating portions of the immersion heater that form no part of the claimed design.

The dot dash line appearing in FIG. 7 is for the purpose of illustrating the bounds of the claim and forms no part thereof.

**1 Claim, 7 Drawing Sheets**



(56)

**References Cited**

U.S. PATENT DOCUMENTS

2015/0082996 A1\* 3/2015 Wu ..... G05B 15/02  
99/342  
2018/0344069 A1\* 12/2018 Chan ..... A47J 27/10

\* cited by examiner

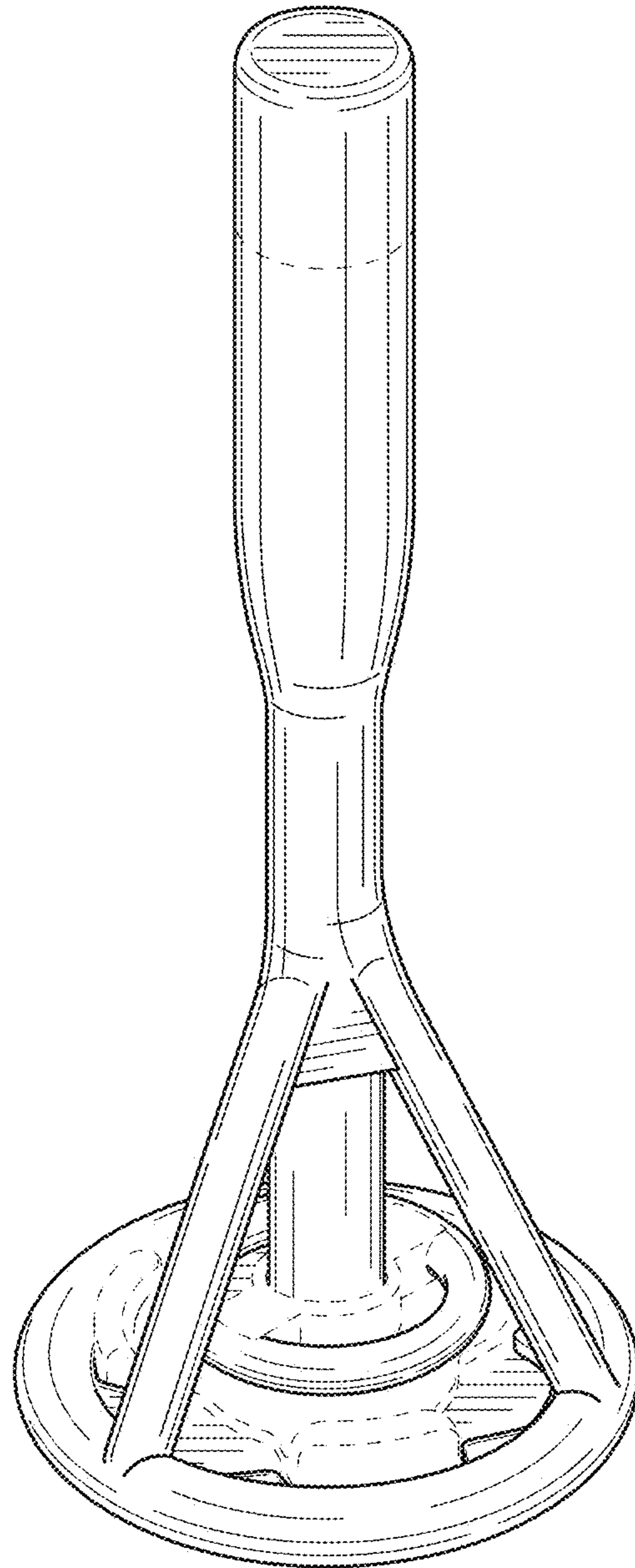


FIG. 1

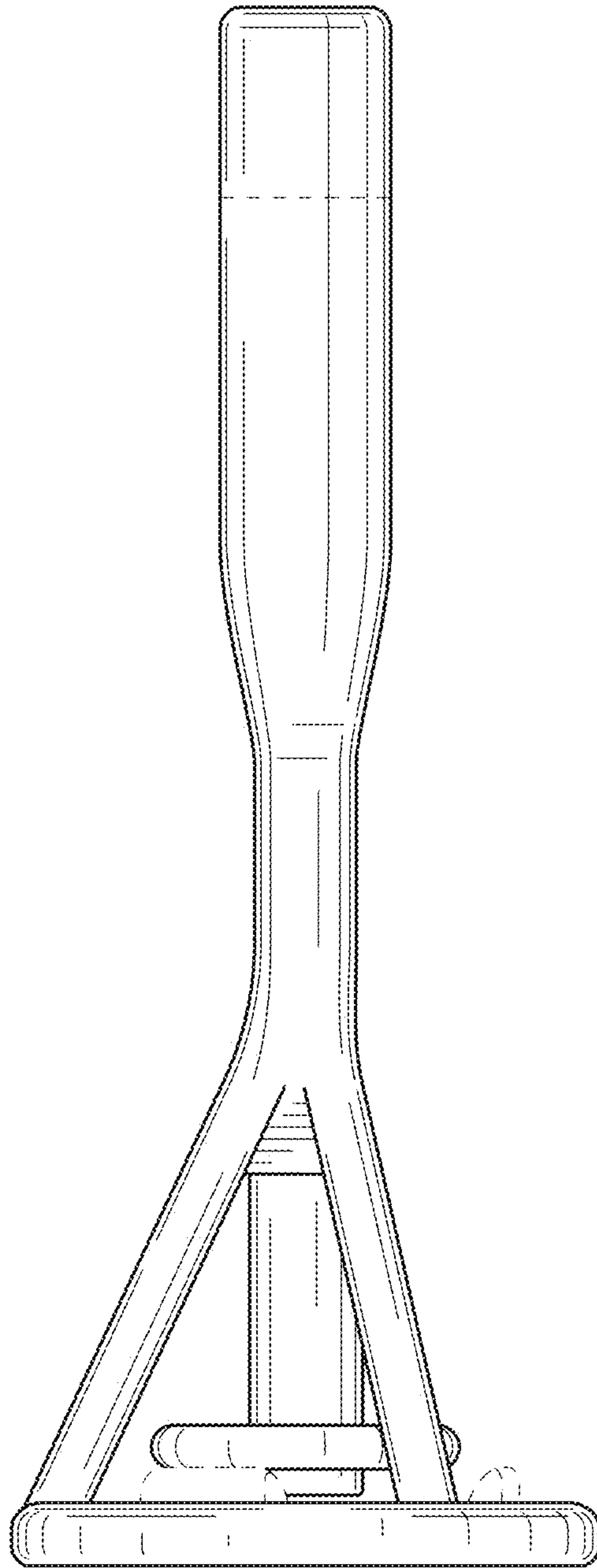


FIG. 2

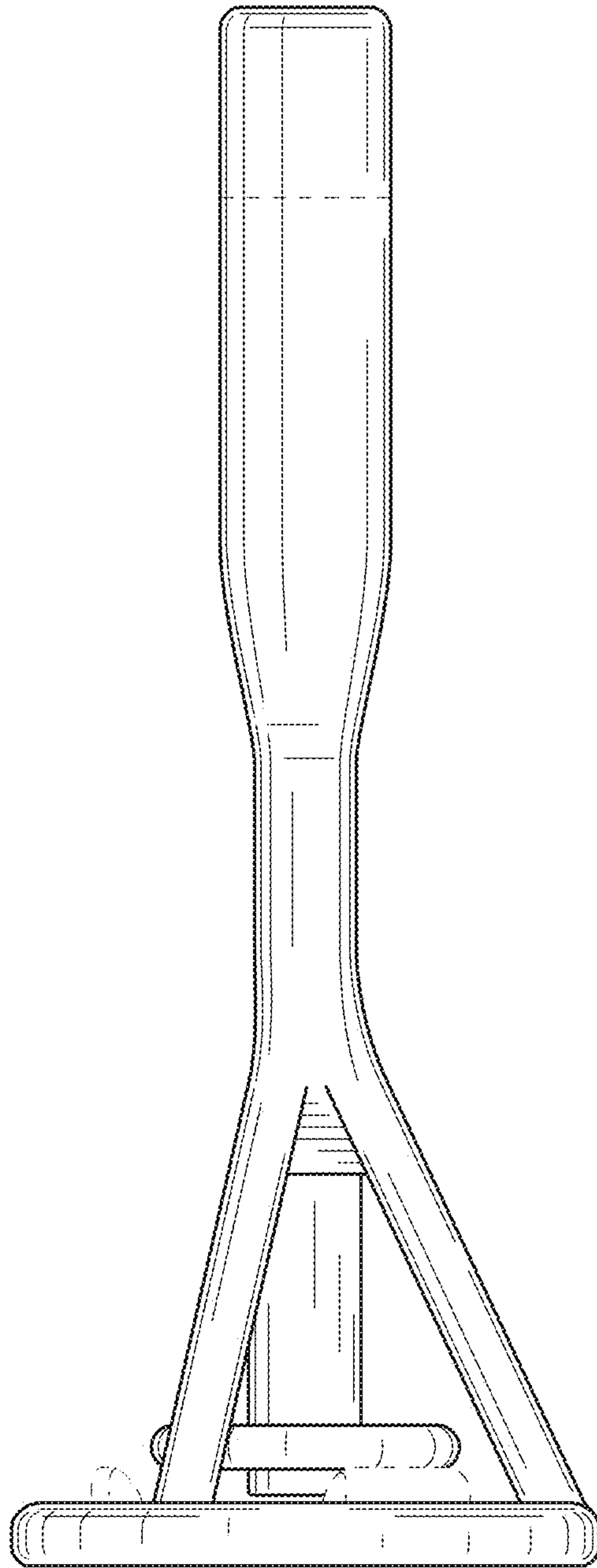


FIG. 3

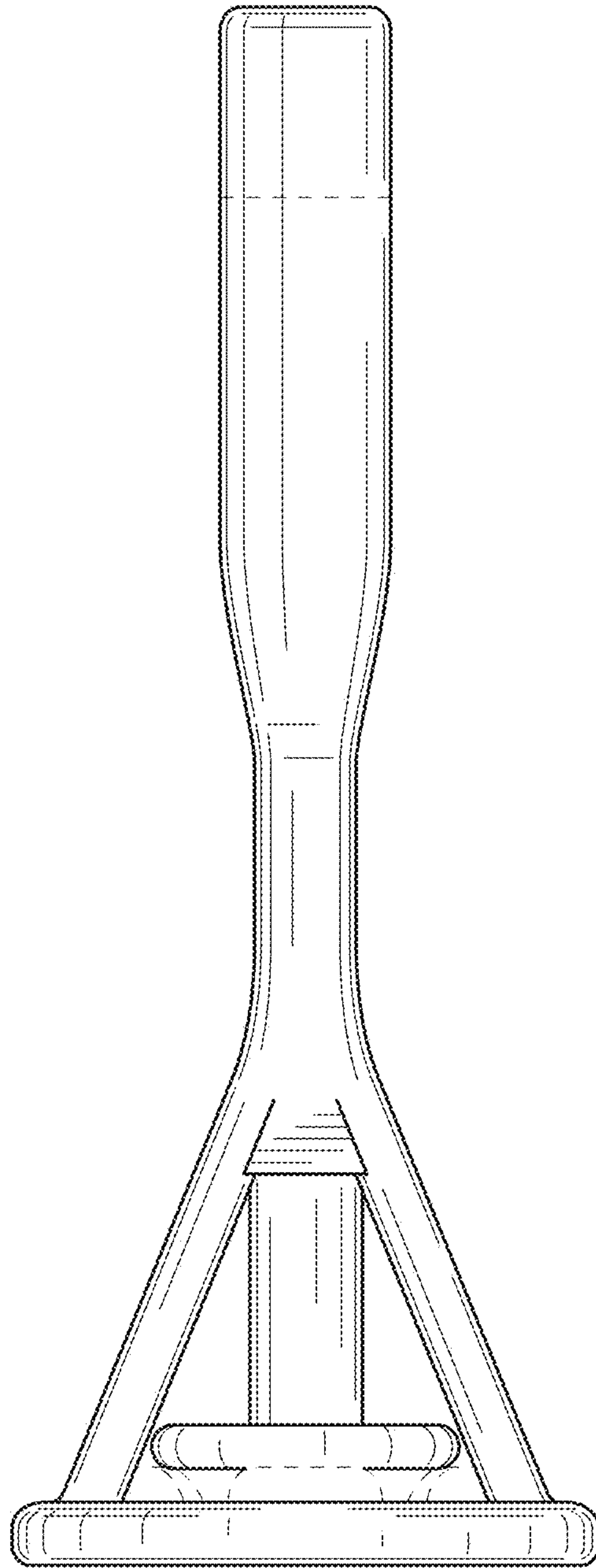


FIG. 4



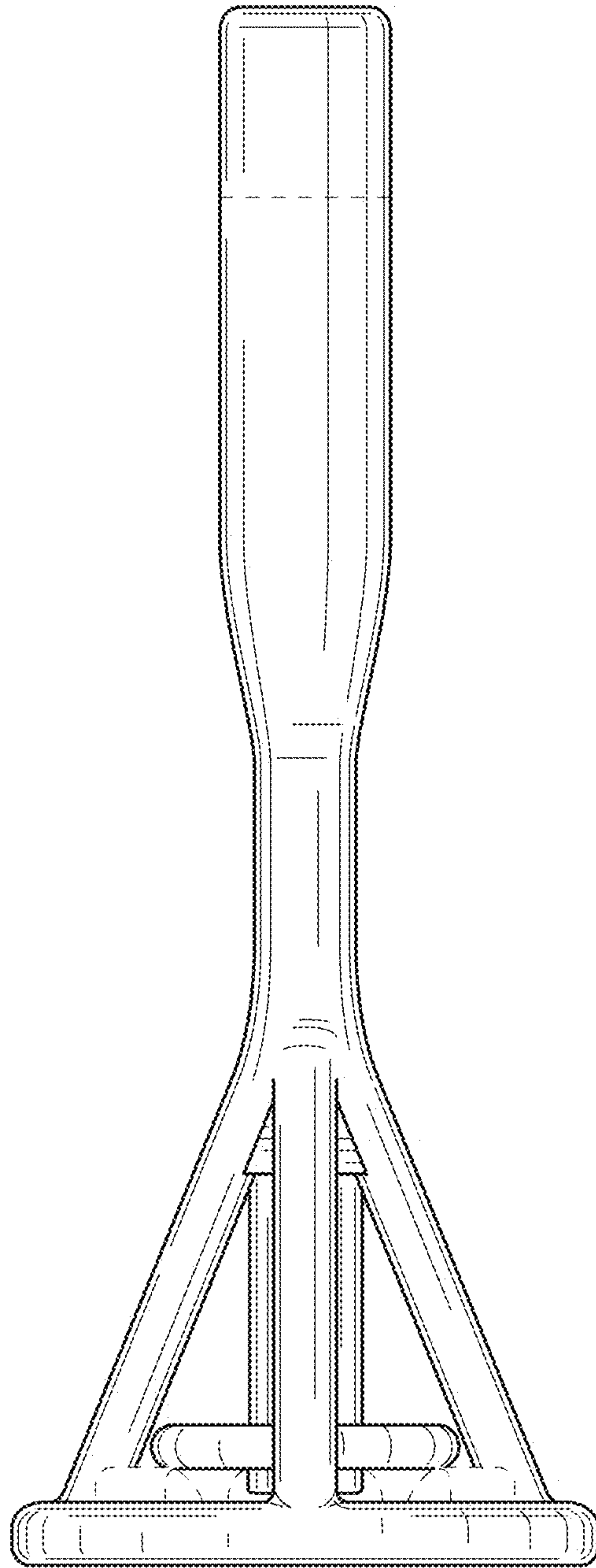


FIG. 5

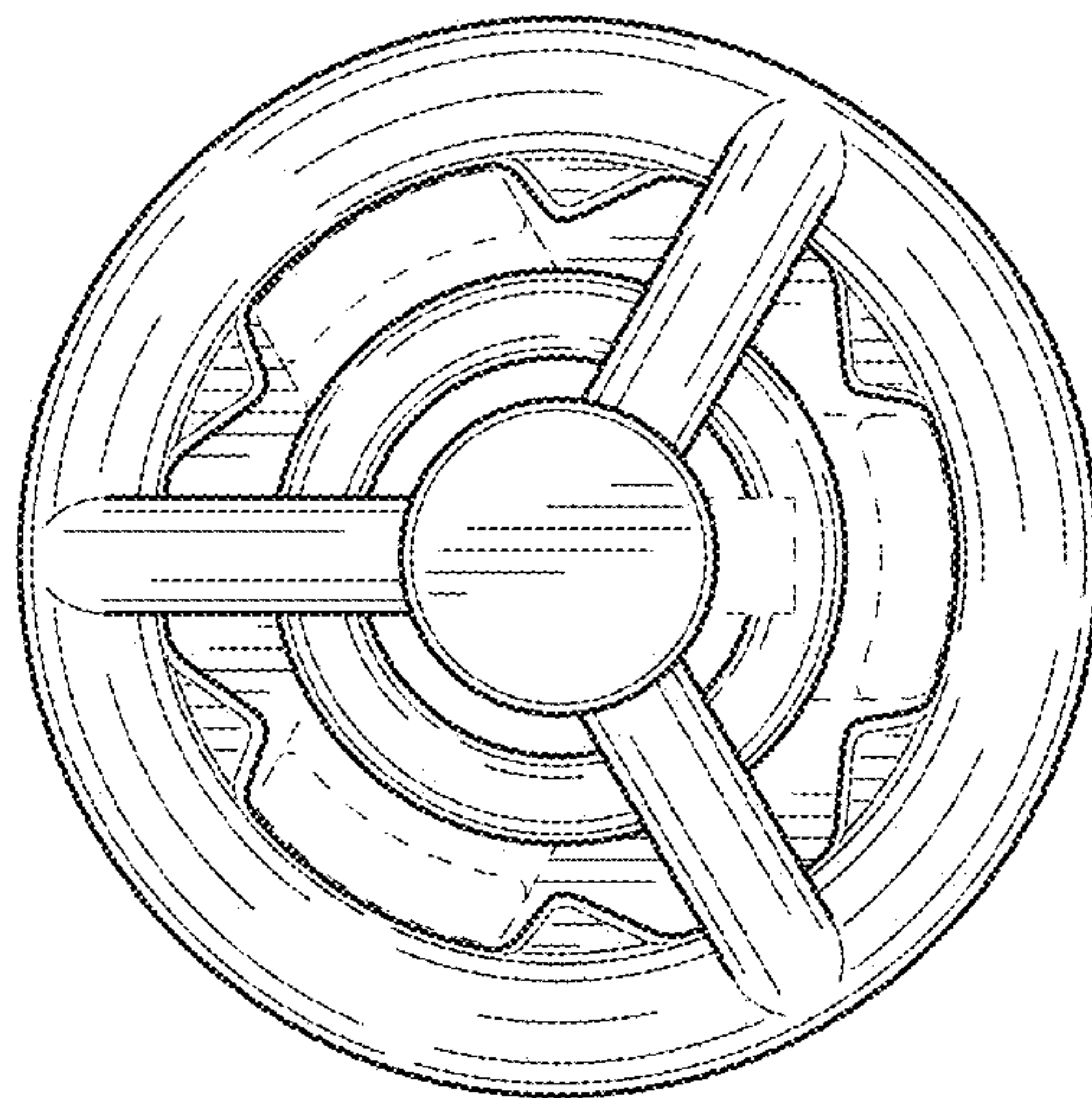


FIG. 6



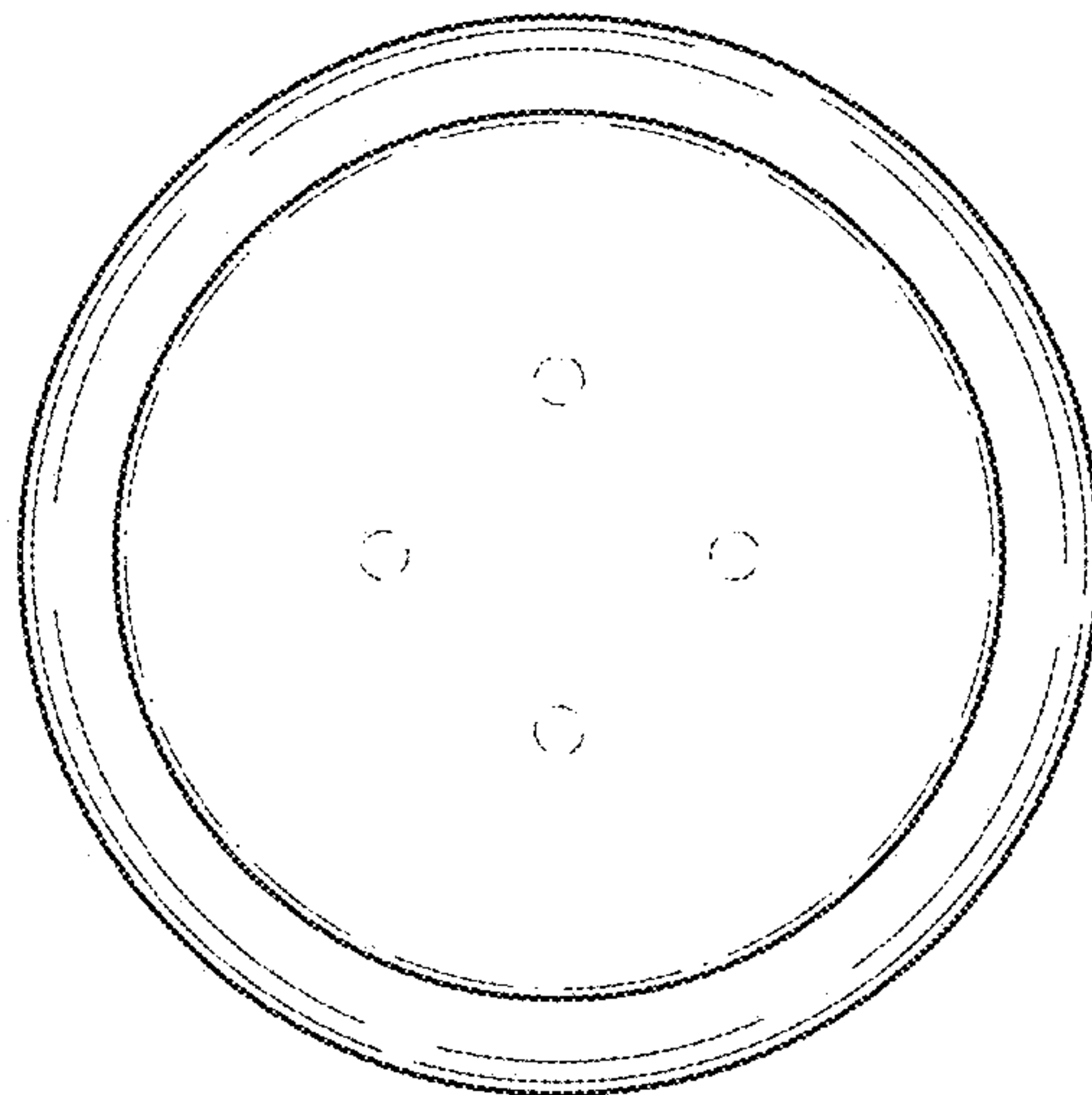


FIG. 7