



US00D944584S

(12) **United States Design Patent**  
**Jiang et al.**

(10) **Patent No.:** **US D944,584 S**  
(45) **Date of Patent:** **\*\* Mar. 1, 2022**

- (54) **STOVE**
- (71) Applicant: **SHENZHEN BAILU OUTDOOR PRODUCTS CO., LTD**, Shenzhen (CN)
- (72) Inventors: **Xincheng Jiang**, Shenzhen (CN); **Meng Yu**, Shenzhen (CN)
- (73) Assignee: **SHENZHEN BAILU OUTDOOR PRODUCTS CO., LTD**, Shenzhen (CN)

- D674,234 S \* 1/2013 Todd ..... D7/334
- D766,410 S \* 9/2016 Miller ..... D23/343
- D769,667 S 10/2016 Ting
- D873,983 S \* 1/2020 Drummond ..... D23/332
- D896,562 S \* 9/2020 Shi ..... D7/338
- 2004/0163637 A1\* 8/2004 Loughran ..... F24C 15/36  
126/201
- 2010/0024798 A1\* 2/2010 Sampson ..... A47J 37/0704  
126/25 R
- 2014/0123972 A1\* 5/2014 Prapas ..... F24B 1/202  
126/77
- 2015/0292746 A1\* 10/2015 Bowers ..... F24B 5/026  
126/75
- 2020/0378606 A1\* 12/2020 Lin ..... F23B 7/002

(\*\*) Term: **15 Years**

(21) Appl. No.: **29/778,778**

(22) Filed: **Apr. 14, 2021**

(51) **LOC (13) Cl.** ..... **07-02**

(52) **U.S. Cl.**  
USPC ..... **D7/332; D7/339; D23/343**

(58) **Field of Classification Search**  
USPC ..... **D7/332-338, 323, 339; D23/332, 342, D23/343**

CPC ..... **F24C 1/16; A47J 33/00; A47J 2037/0777; A47J 37/0704; A47J 37/0763; B24B 1/202; B24B 1/205**

See application file for complete search history.

(56) **References Cited**

**U.S. PATENT DOCUMENTS**

- 2,485,667 A \* 10/1949 Sims ..... F24B 1/205  
126/9 R
- D255,600 S \* 6/1980 Marchant ..... D23/343
- D263,994 S \* 4/1982 Antone ..... D23/343
- 5,653,159 A \* 8/1997 Quemin ..... A47J 37/0727  
126/25 R
- 5,878,739 A \* 3/1999 Guidry ..... A47J 37/0704  
126/25 R
- D521,798 S 5/2006 Wright

**FOREIGN PATENT DOCUMENTS**

CN 305251209 \* 7/2019

**OTHER PUBLICATIONS**

Fltom Camp Tent Stove, Dec. 20, 2020, Amazon, <https://www.amazon.com/Fltom-Portable-Firebox-Resistant-Stainless/dp/B08D623VW5> (Year: 2020).\*

(Continued)

*Primary Examiner* — Brett Miller

(57) **CLAIM**

The ornamental design for a stove, as shown and described.

**DESCRIPTION**

FIG. 1 is a perspective view of a stove showing my new design;

FIG. 2 is a right side elevational view thereof;

FIG. 3 is a left side elevational view thereof;

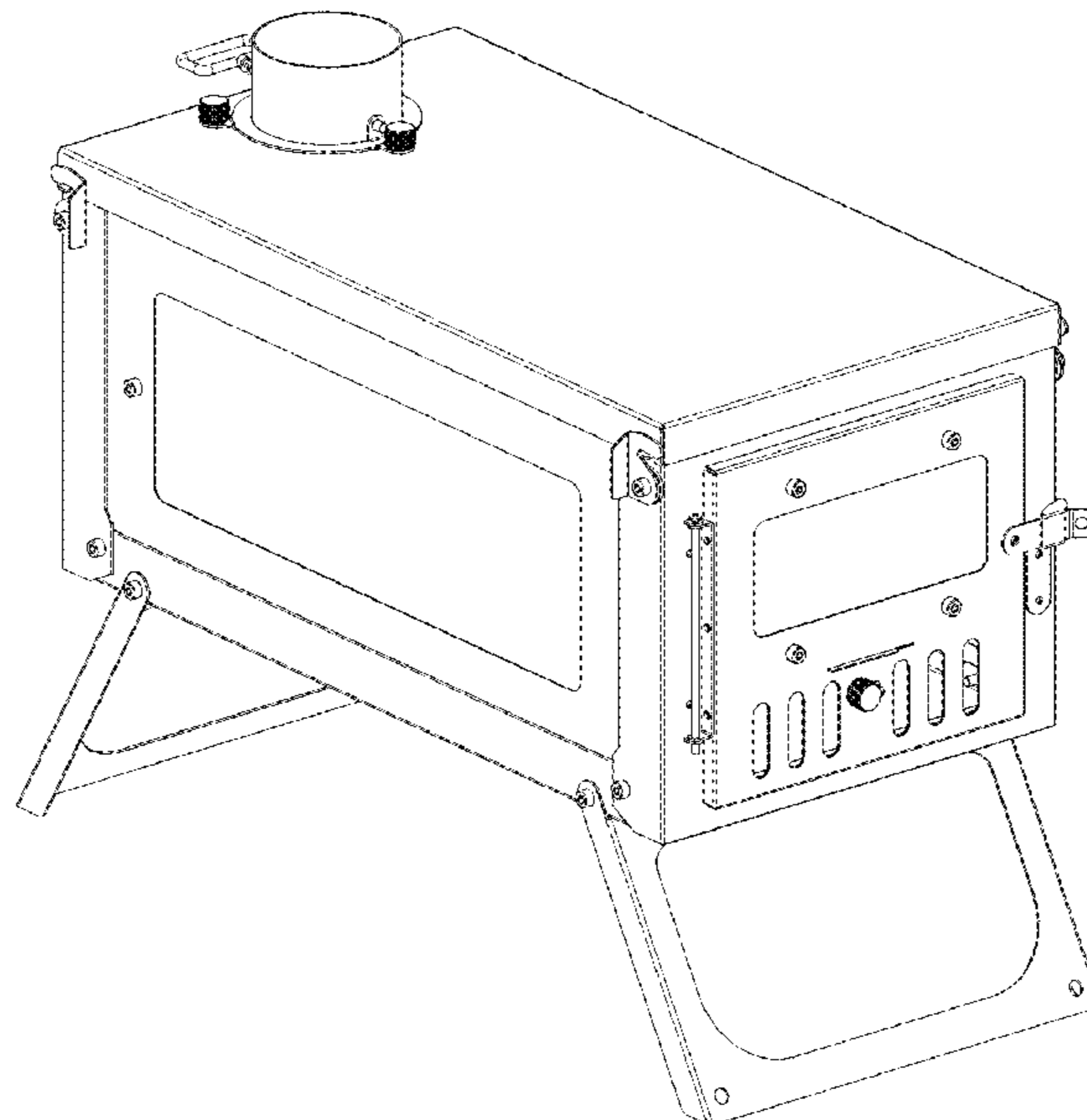
FIG. 4 is a front elevational view thereof;

FIG. 5 is a rear elevational view thereof;

FIG. 6 is a top plan view thereof; and,

FIG. 7 is a bottom plan view thereof.

**1 Claim, 7 Drawing Sheets**



(56)

**References Cited**

OTHER PUBLICATIONS

Winnerwell Nomad Medium Tent Stove, Nov. 20, 2017, Amazon, <https://www.amazon.com/Winnerwell-Portable-Precision-Stainless-Construction/dp/B077N25XGB> (Year: 2017).\*

Pomoly, Timber Stove, Jan. 26, 2021 (User Review), <https://www.pomoly.com/TIMBER-Stove-%7C-Titanium-Wood-Stove-for-Hot-Tent-and-Camping-%7C-POMOLY-2021-Version-p1185631.html> (Year: 2021).\*

\* cited by examiner

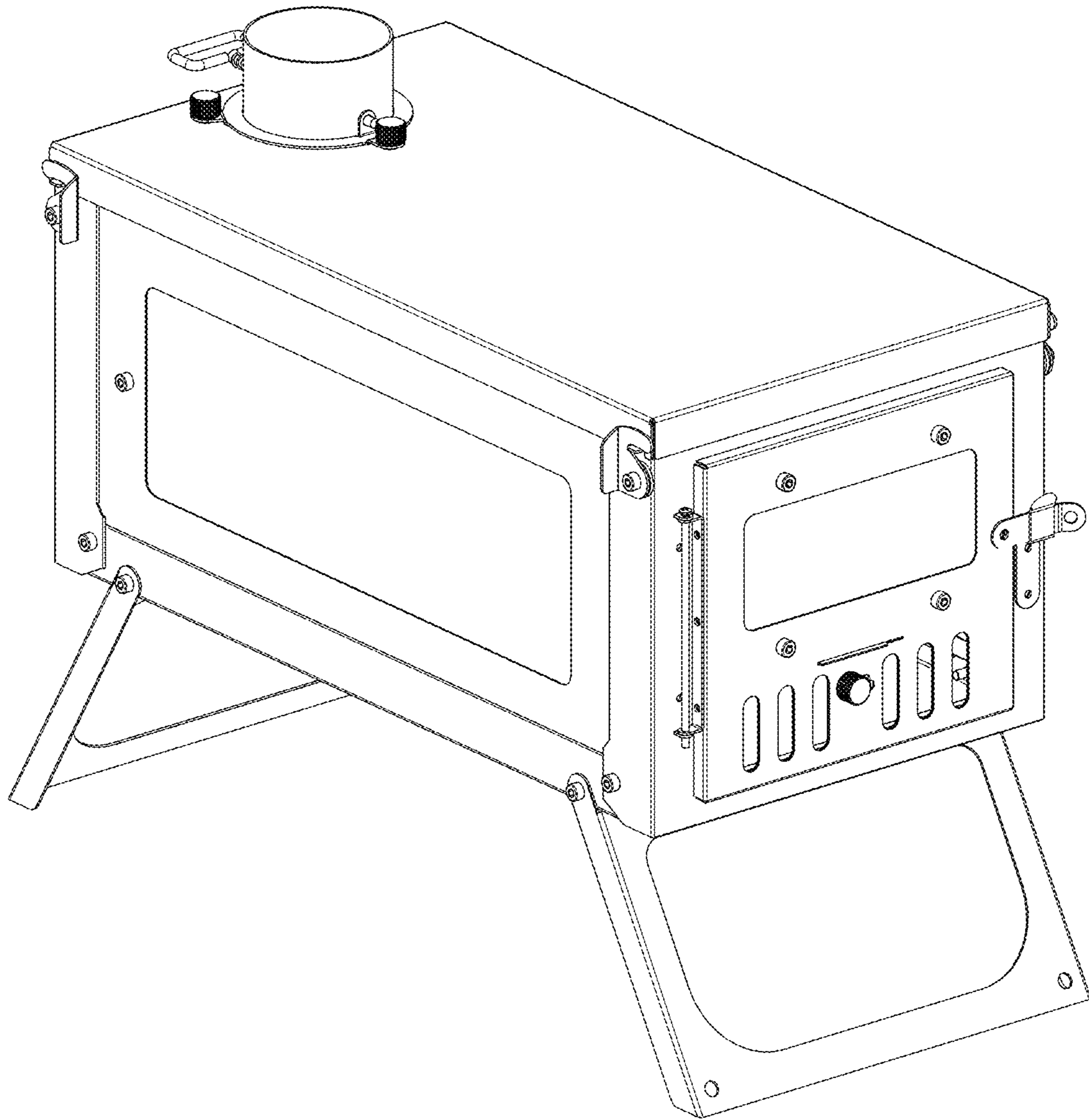


FIG. 1

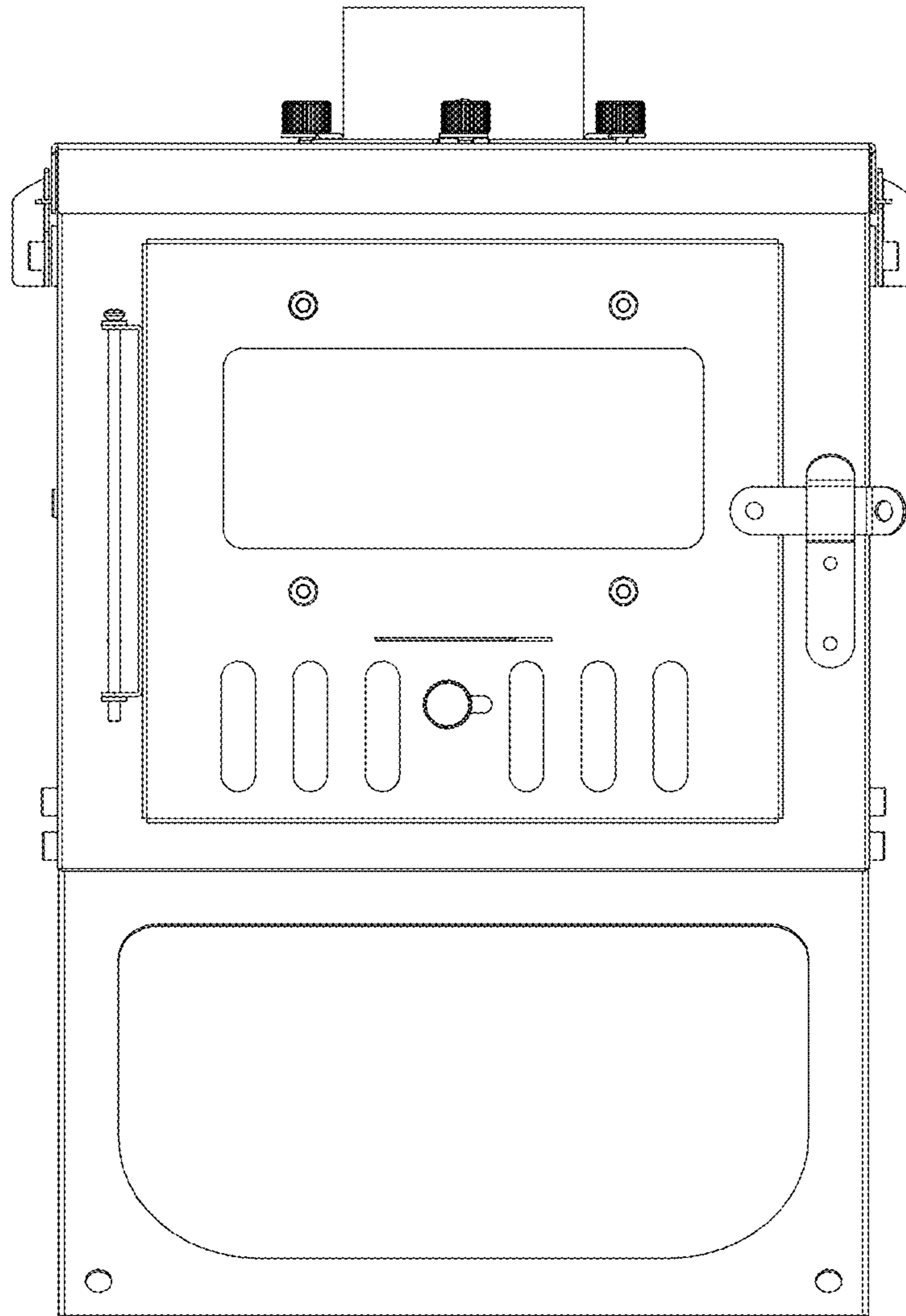


FIG. 2

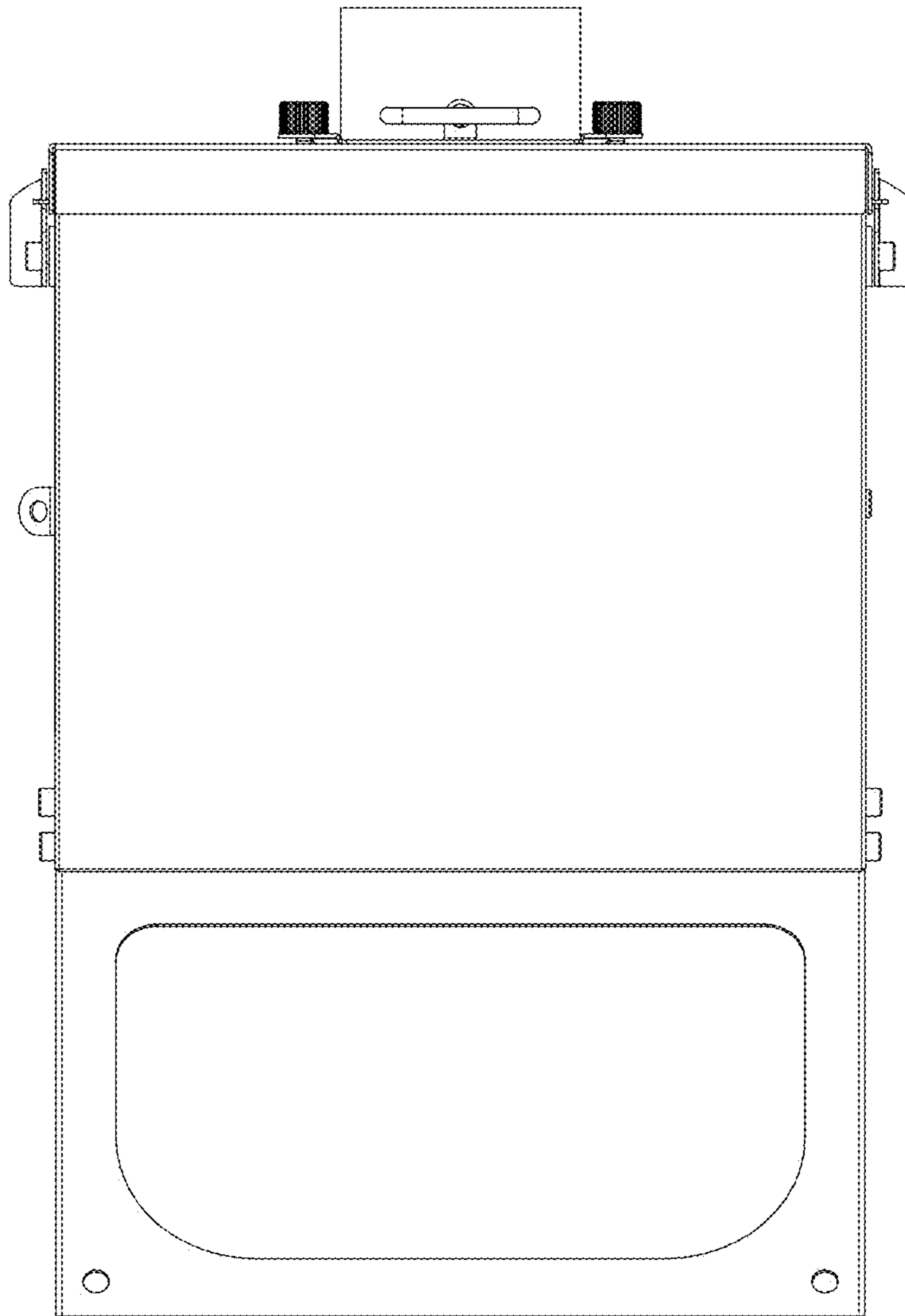


FIG. 3

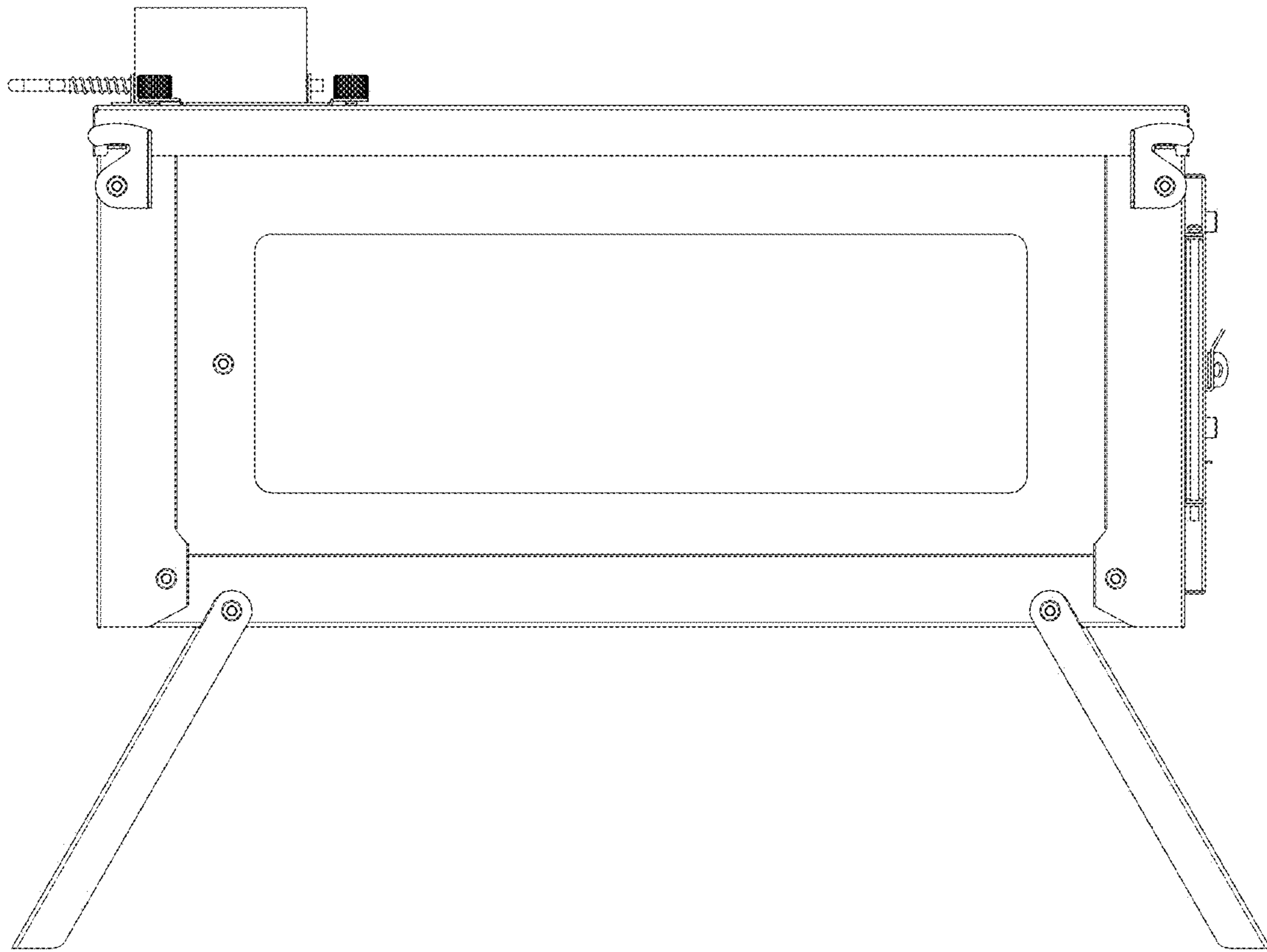


FIG. 4

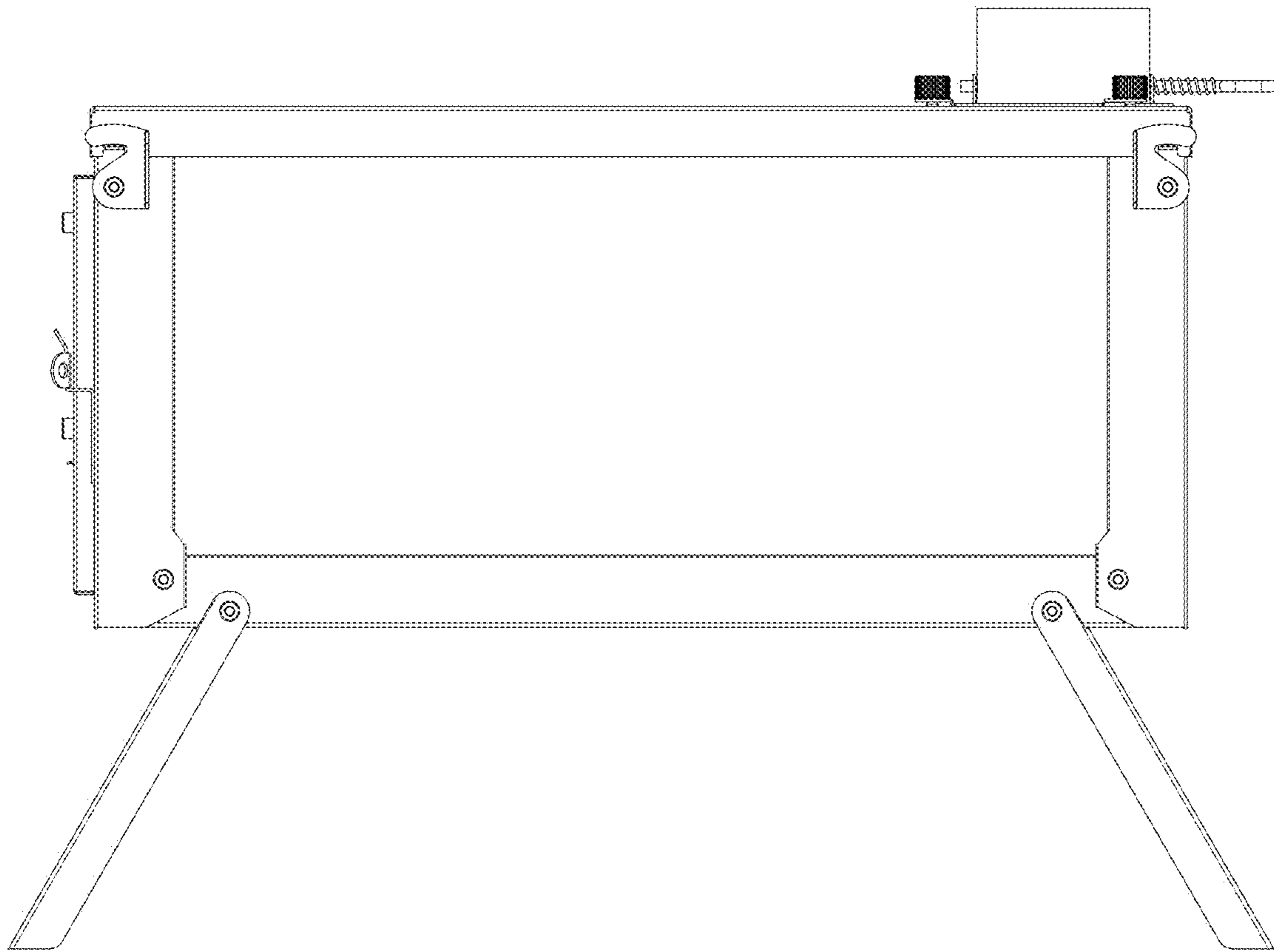


FIG. 5

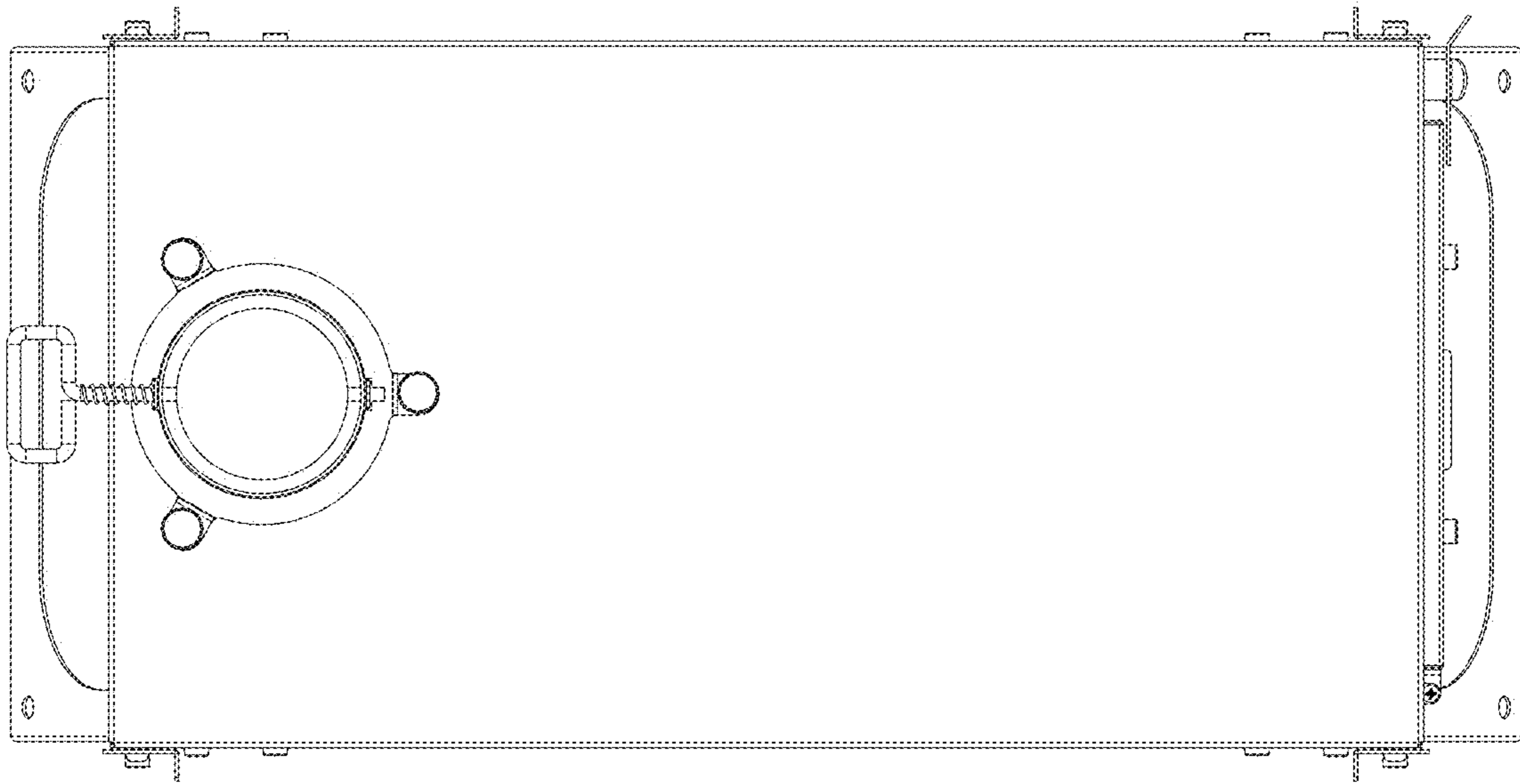


FIG. 6





FIG. 7