



US00D944583S

(12) **United States Design Patent** (10) **Patent No.:** **US D944,583 S**
Chen (45) **Date of Patent:** **** Mar. 1, 2022**

(54) **BARBEQUE APPARATUS**
(71) Applicant: **Jianlin Chen**, Macheng (CN)
(72) Inventor: **Jianlin Chen**, Macheng (CN)
(**) Term: **15 Years**

D857,440 S * 8/2019 DeMars D7/334
D923,384 S * 6/2021 Liang D7/334
D925,263 S * 7/2021 Bahreinian D7/332
2015/0351586 A1 * 12/2015 Taylor A47J 37/0786
99/445
2016/0220066 A1 * 8/2016 Roberts A47J 37/0786
2017/0360238 A1 * 12/2017 Bogazzi A47J 37/07
2018/0116453 A1 * 5/2018 Boyd, Sr. A47J 37/0704
(Continued)

(21) Appl. No.: **29/703,296**
(22) Filed: **Aug. 26, 2019**
(51) **LOC (13) Cl.** **07-02**
(52) **U.S. Cl.**
USPC **D7/332**
(58) **Field of Classification Search**
USPC D7/332-337, 402-409, 352, 353,
D7/360-362; D23/415; D3/276, 291,
D3/294
CPC A47J 37/0704; A47J 37/0763; A47J 37/07;
A47J 37/0786; A47J 2037/0777; A47J
37/0713; F24C 3/14; F24C 1/16; F24C
5/20
See application file for complete search history.

OTHER PUBLICATIONS

Pizza-Porta, Setting up the Pizza-Porta for the Kamado Joe, Jan. 8, 2017 (cached), <https://www.pizza-porta.com/blog/setting-up-the-pizza-porta-for-the-kamado-joe> (Year: 2017).*
(Continued)

Primary Examiner — Brett Miller

(57) **CLAIM**

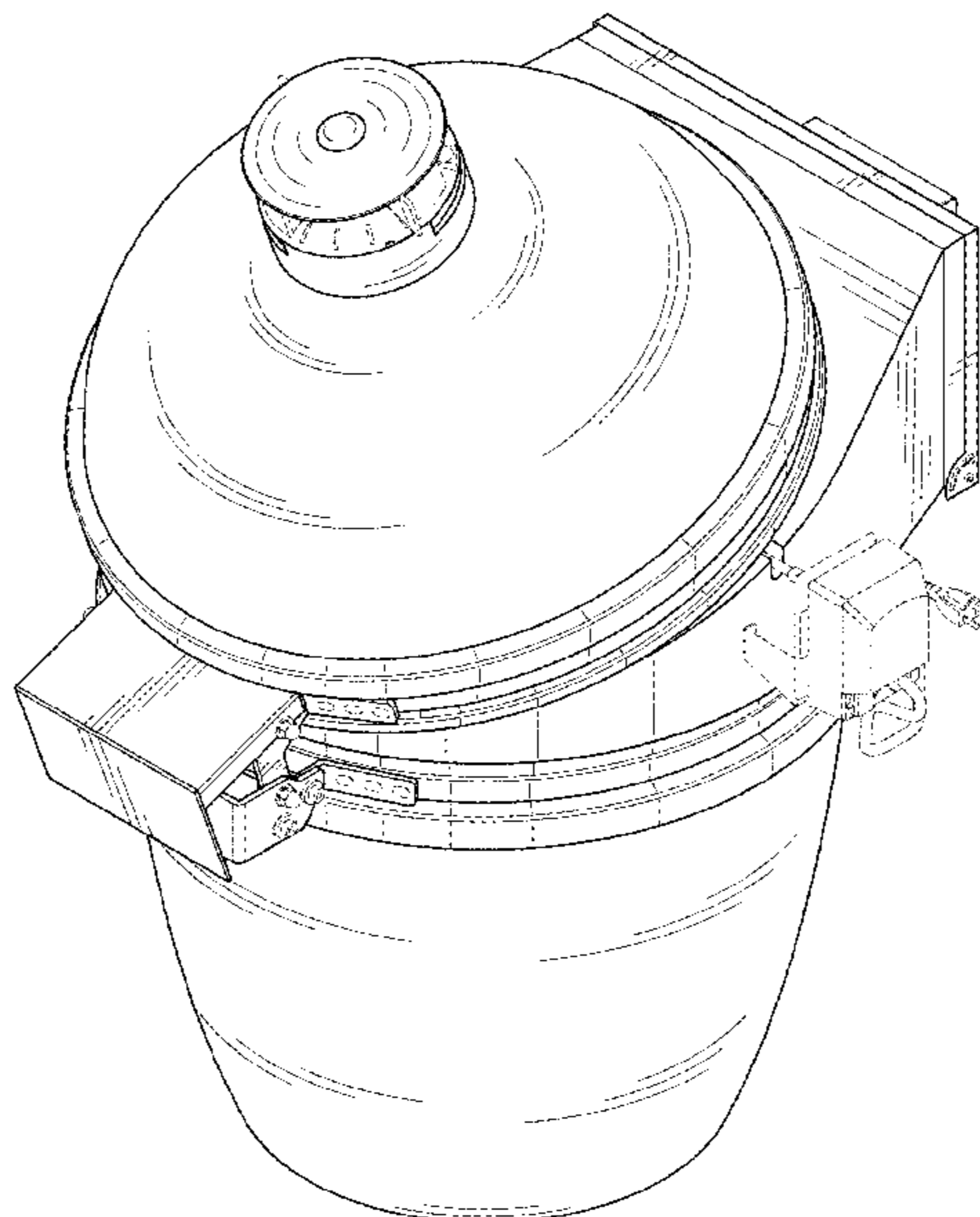
The ornamental design for a barbeque apparatus, as shown and described.

DESCRIPTION

FIG. 1 is a perspective view of the barbeque apparatus showing my new design;
FIG. 2 is a front elevation view thereof;
FIG. 3 is a rear elevation view thereof;
FIG. 4 is a left side elevation view thereof;
FIG. 5 is a right side elevation view thereof;
FIG. 6 is a top plan view thereof;
FIG. 7 is a bottom plan view thereof;
FIG. 8 is a perspective view of the barbeque apparatus from another angle of view; and,
FIG. 9 is a perspective view of my new design portrayed in FIG. 8 in use.
The parts in broken lines of FIG. 1 to 9 are for illustrative purpose only and are not part of the claimed design.

(56) **References Cited**
U.S. PATENT DOCUMENTS
D182,743 S * 5/1958 Rodman D7/334
D201,416 S * 6/1965 Sazegar D7/337
D201,937 S * 8/1965 Johnson D7/337
3,276,440 A * 10/1966 Sazegar A47J 37/0704
126/25 A
D212,268 S * 9/1968 Bailey D7/332
D642,416 S * 8/2011 Scott D7/332
D668,096 S * 10/2012 Simms, II D7/334
8,464,702 B2 * 6/2013 Foster A47J 37/0704
126/25 R
D714,090 S * 9/2014 Harper D7/334
D792,733 S * 7/2017 Benson D7/334
D815,878 S * 4/2018 Wong D7/337
D822,423 S * 7/2018 Demars D7/334
D844,362 S * 4/2019 Davis A47J 37/07
D7/334

1 Claim, 9 Drawing Sheets



(56)

References Cited

U.S. PATENT DOCUMENTS

2018/0263415 A1* 9/2018 Hackley A47J 37/0786
2019/0059652 A1* 2/2019 Kohli A47J 37/0786
2019/0282031 A1* 9/2019 Feng A47J 37/0763
2020/0245811 A1* 8/2020 Pruitt A47J 37/0704

OTHER PUBLICATIONS

KettlePizza Basic 22.5, as early as Jan. 4, 2015 (user review),
Amazon, <https://www.amazon.com/KettlePizza-Pizza-Kettle-Grills-KPB-22/dp/B005SFJLOI> (Year: 2015).*

* cited by examiner

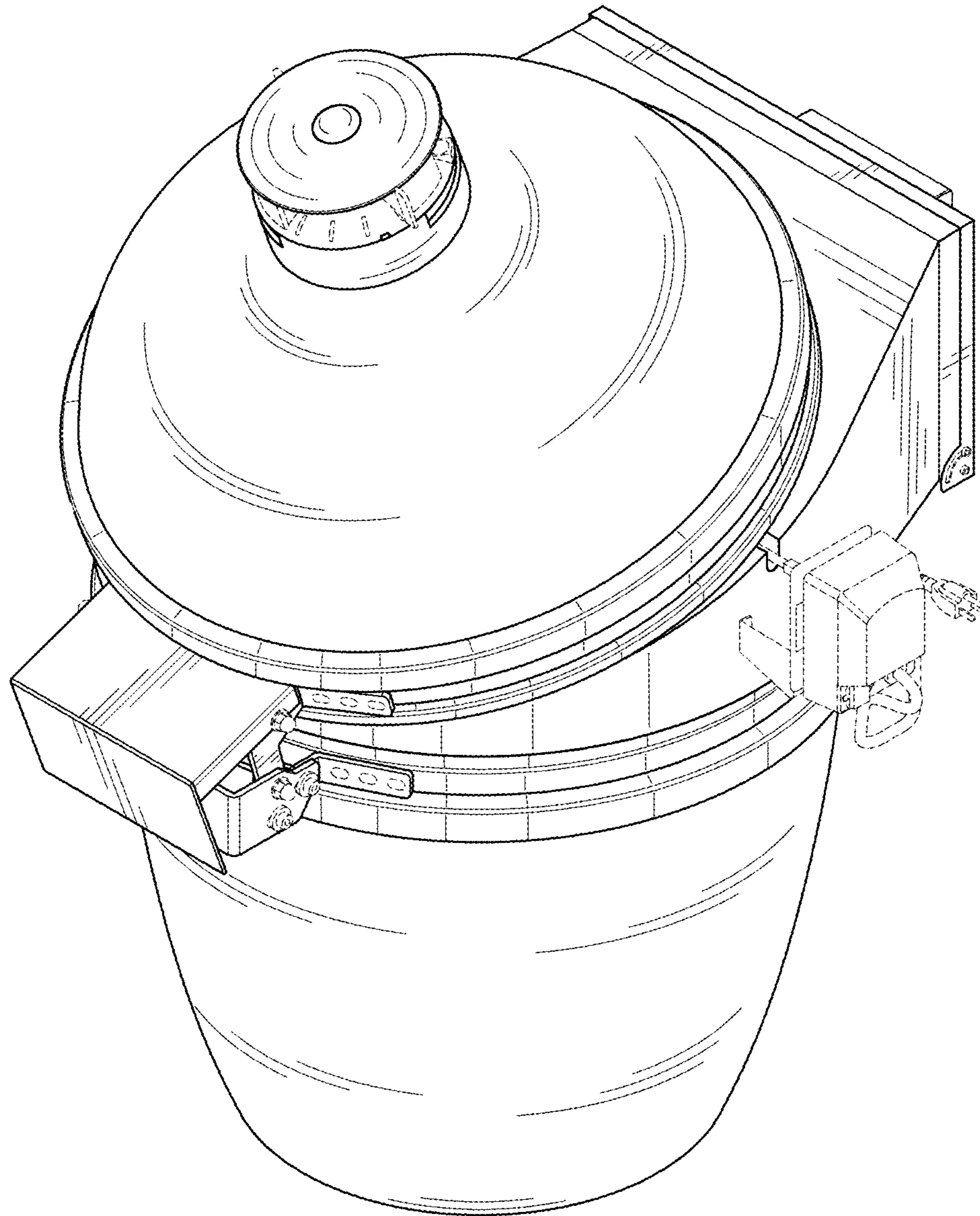


FIG.1

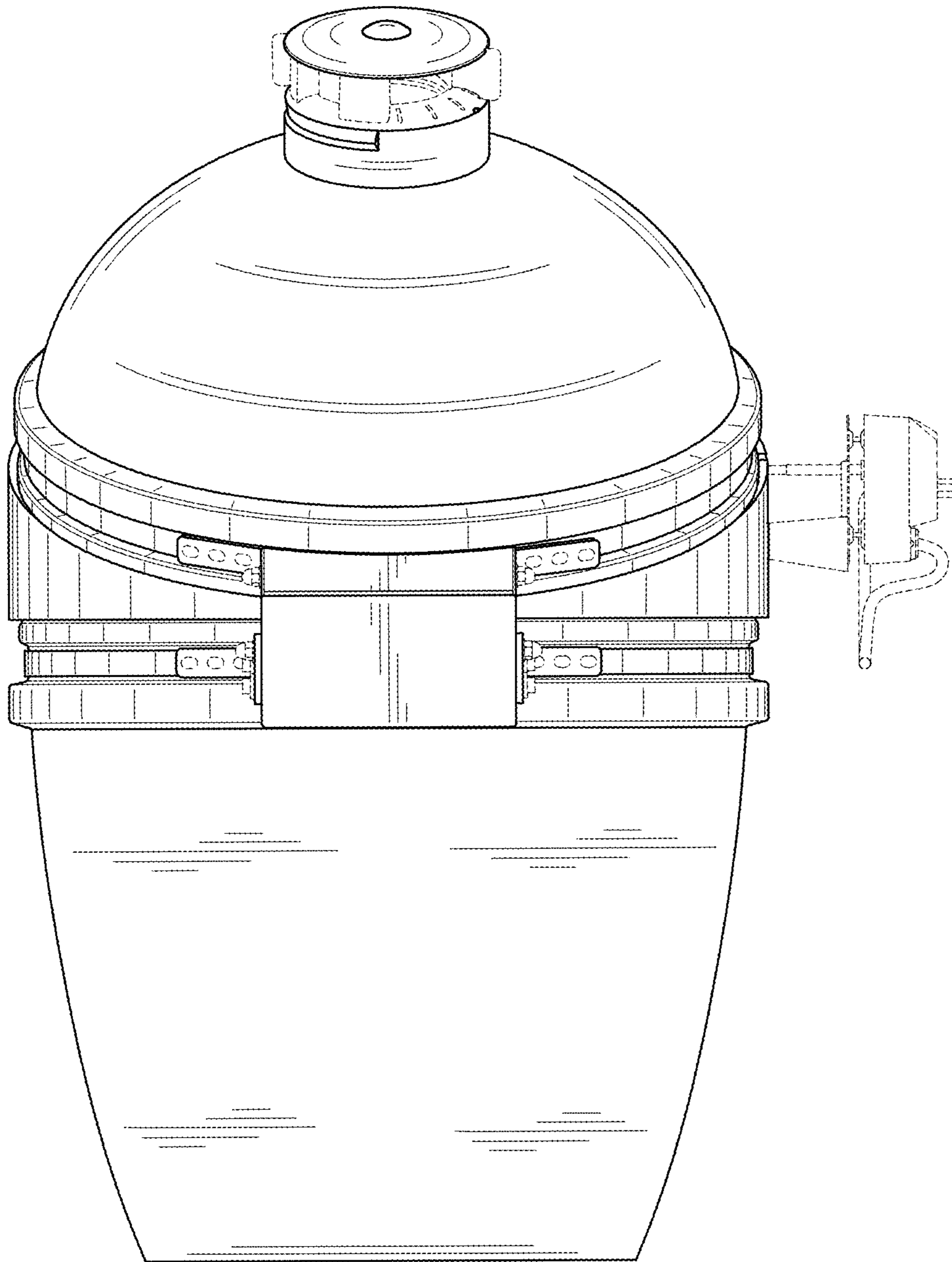


FIG.2

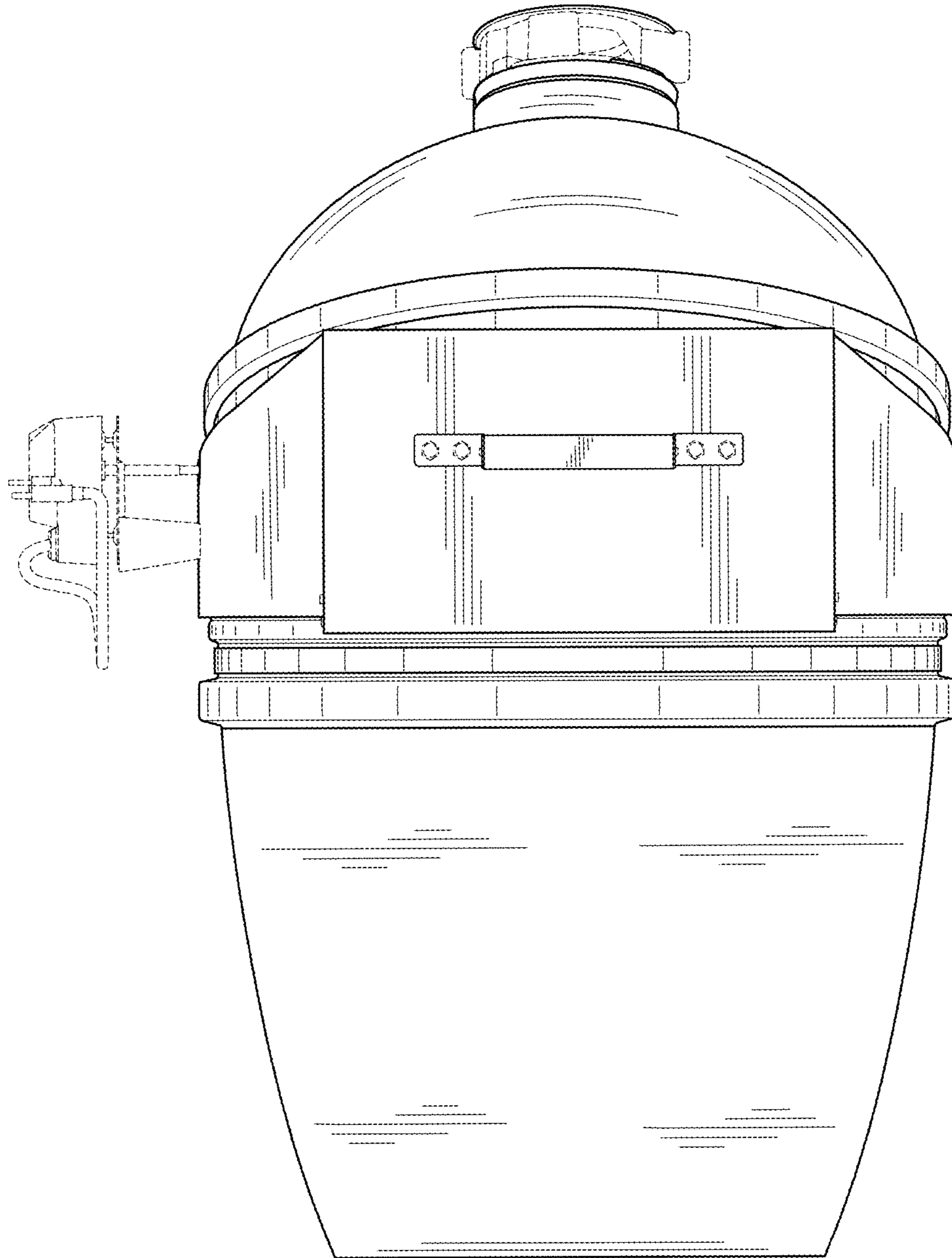


FIG.3

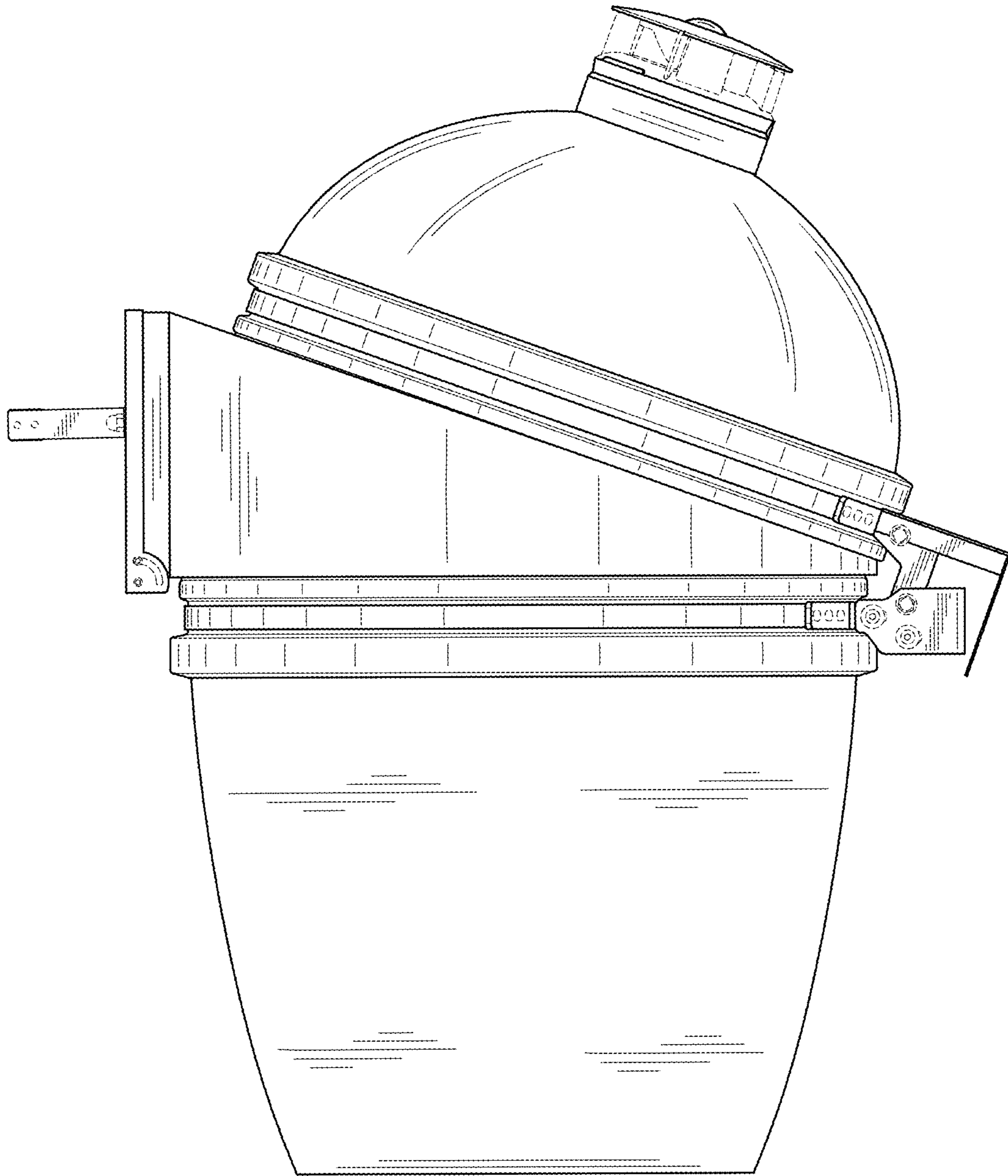


FIG.4

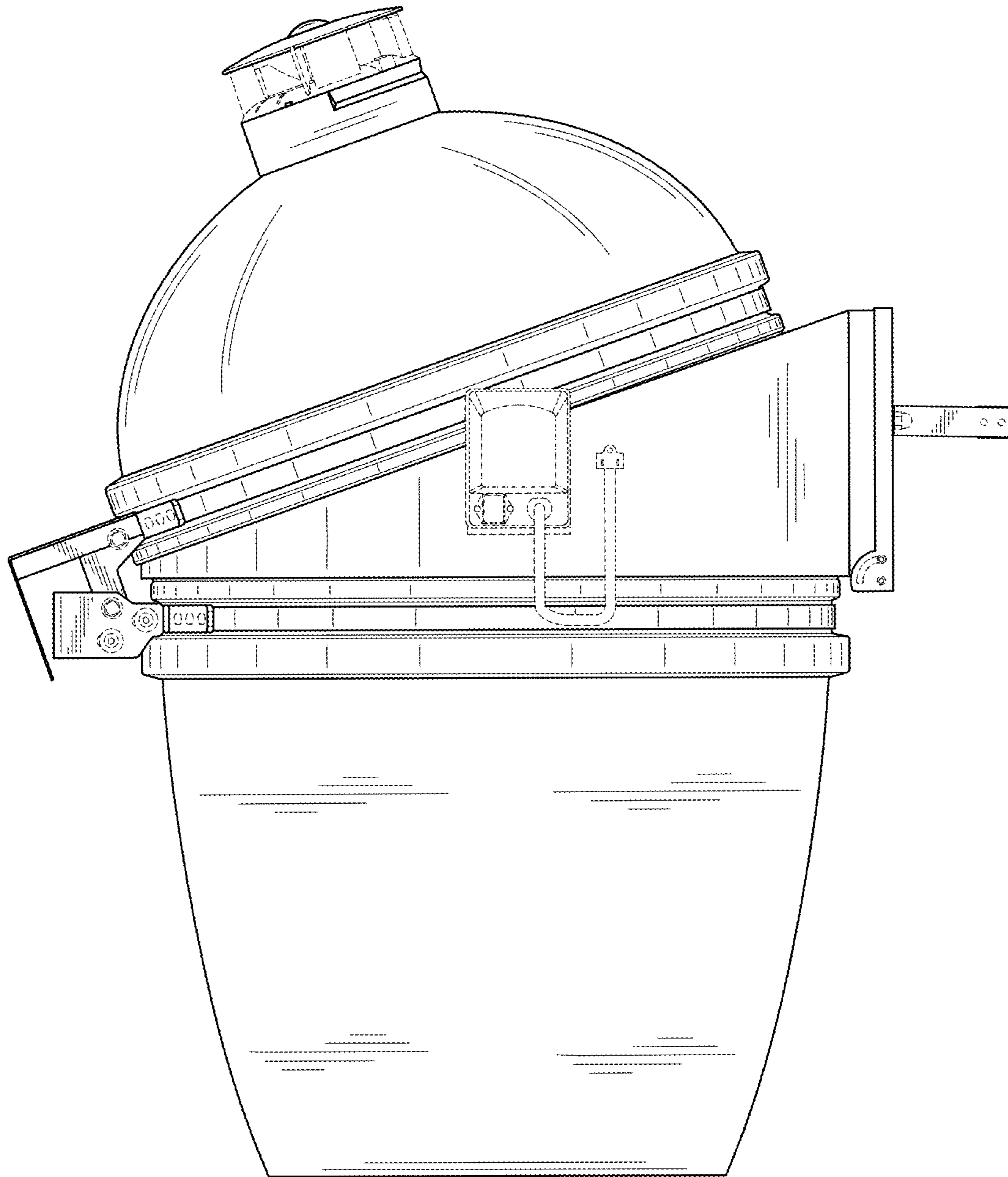


FIG.5

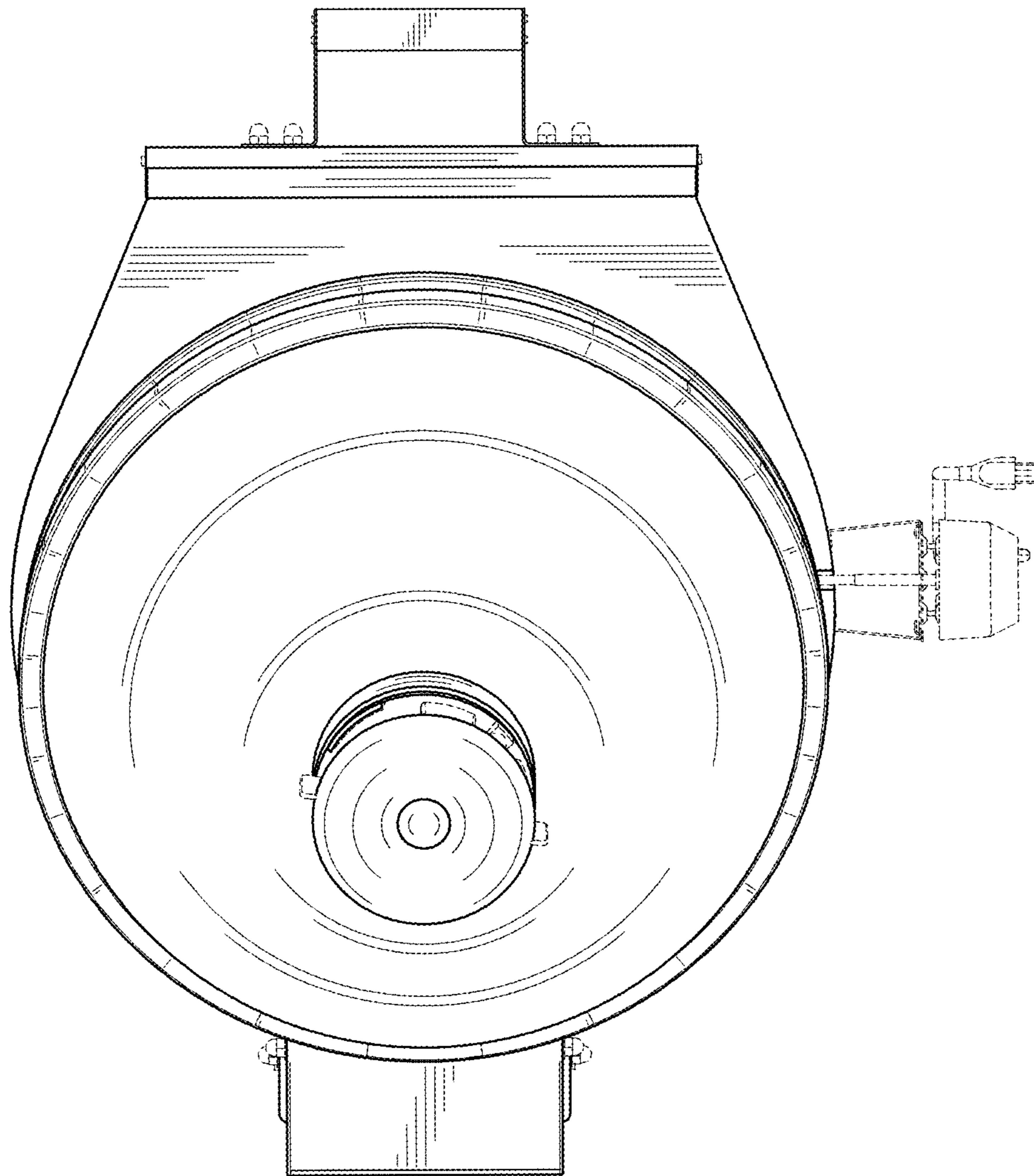


FIG.6

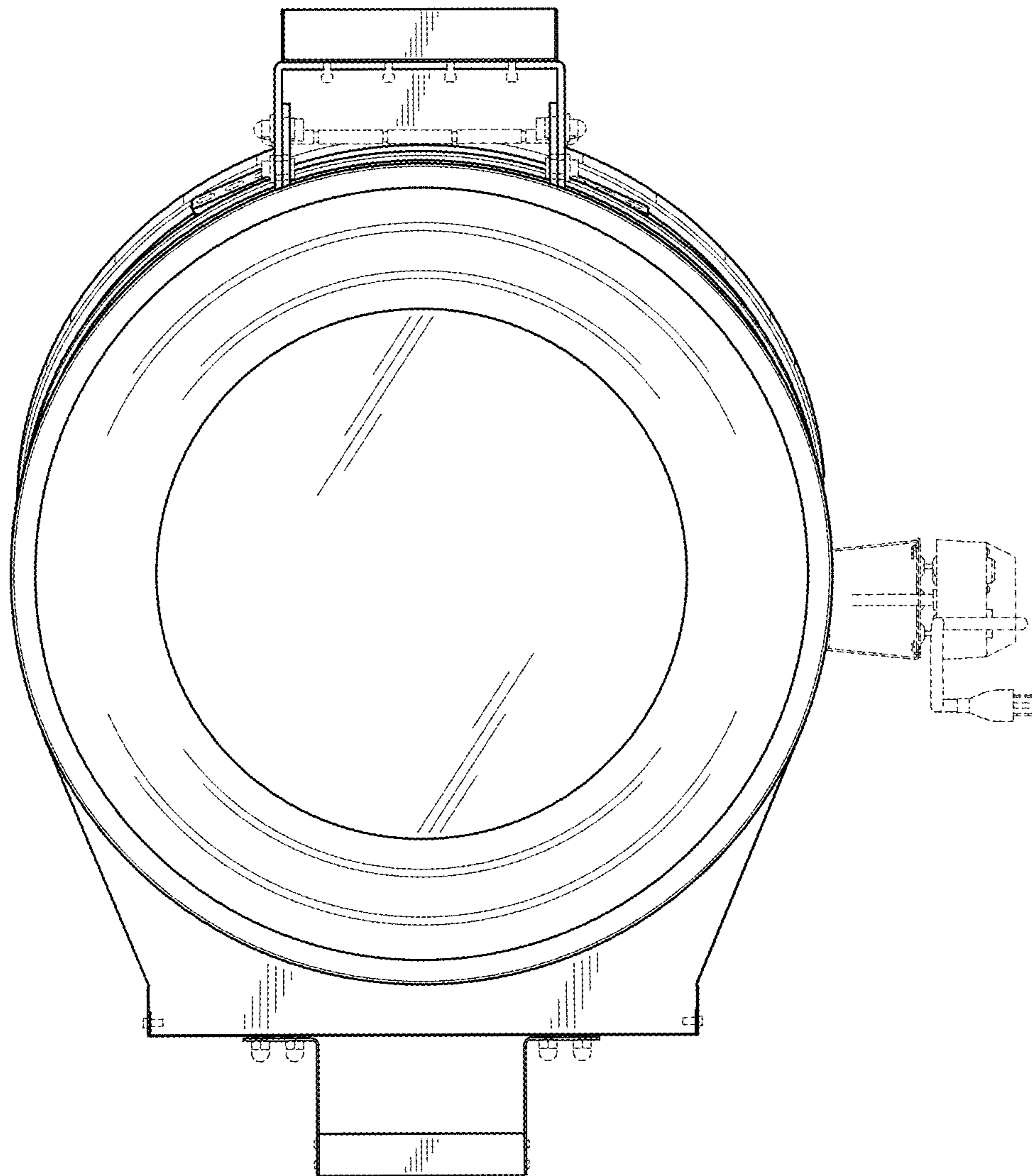


FIG.7

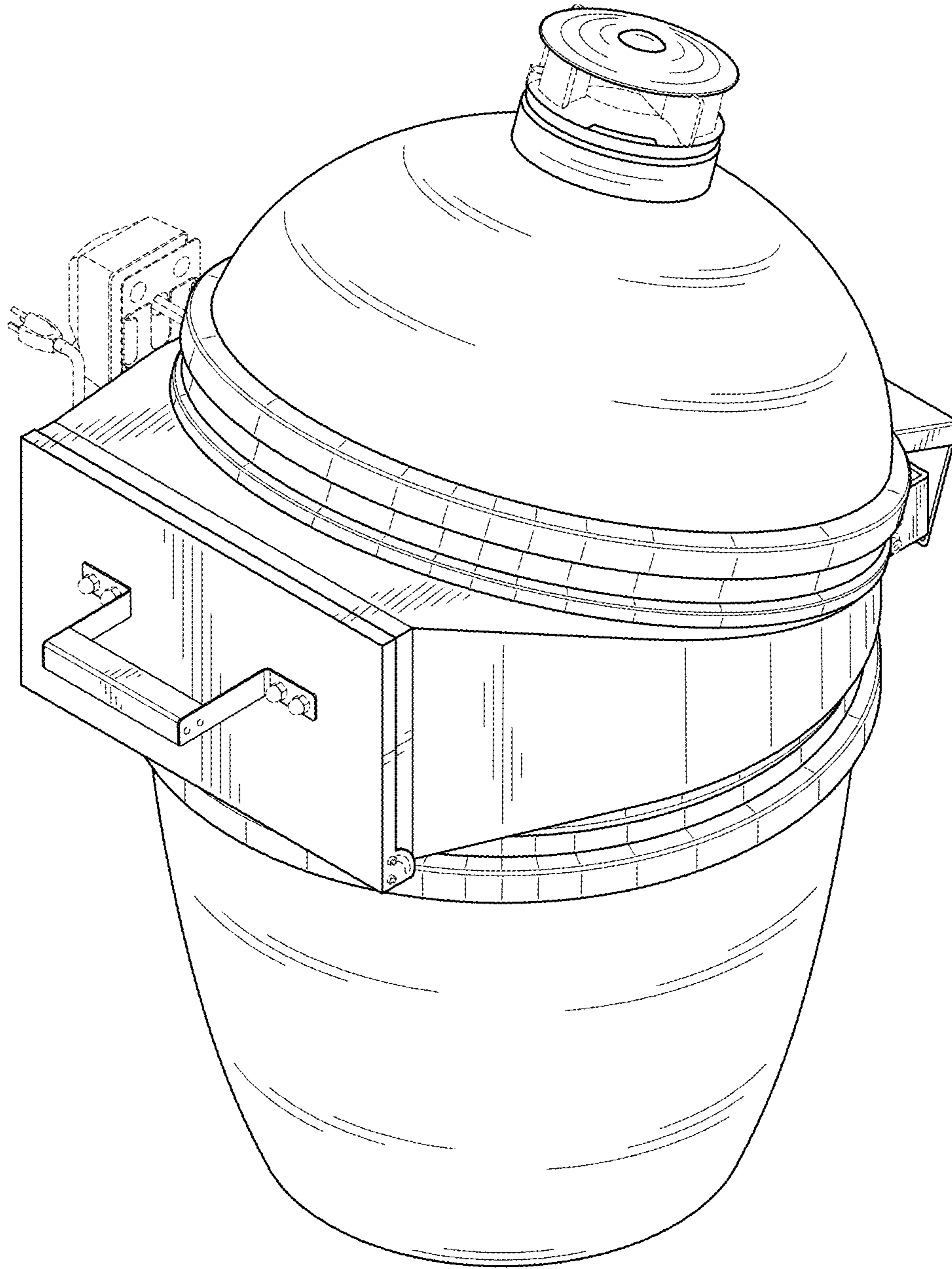


FIG.8

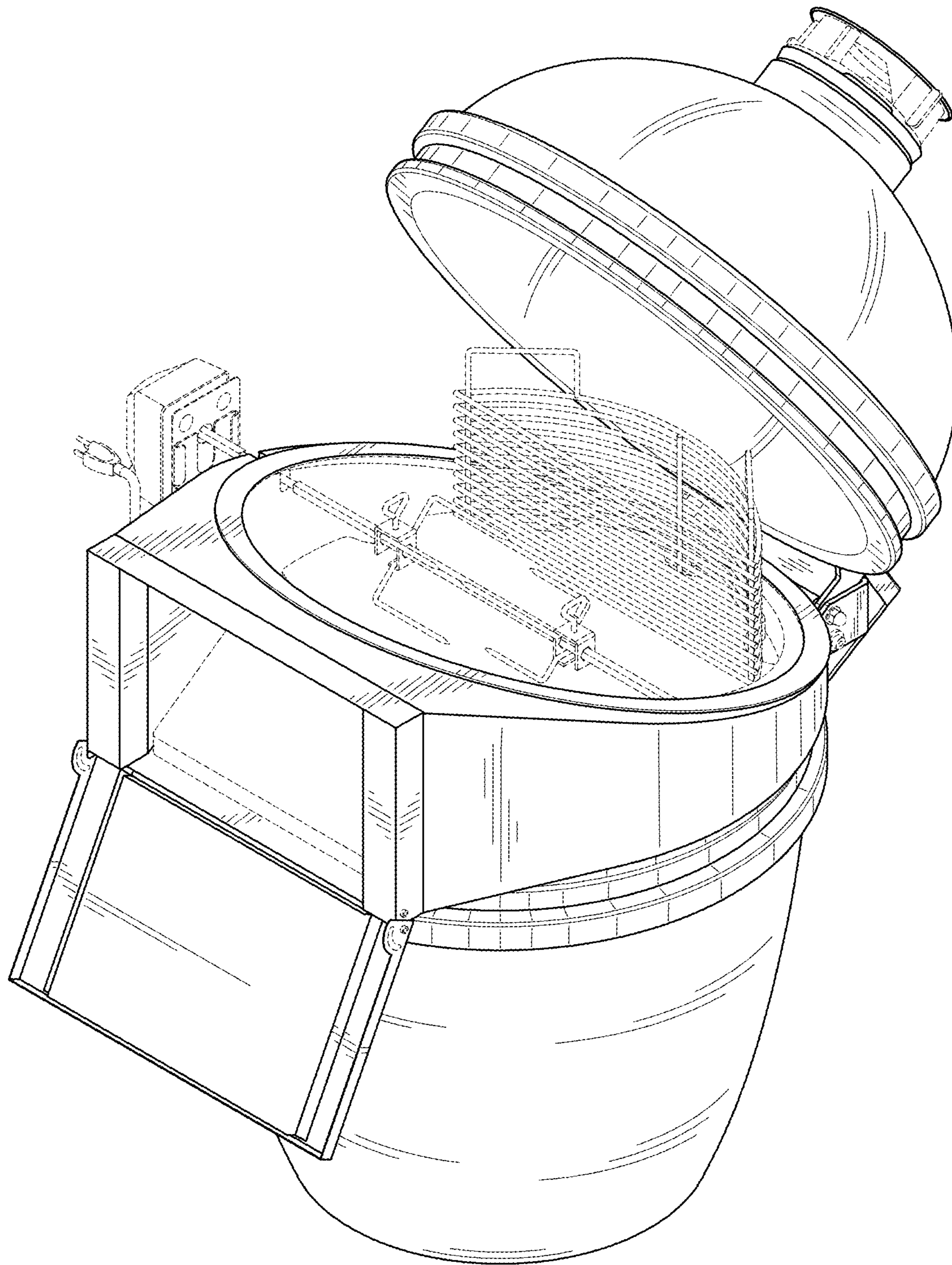


FIG.9