



US00D944582S

(12) **United States Design Patent**
Qin et al.

(10) **Patent No.:** **US D944,582 S**
(45) **Date of Patent:** **** Mar. 1, 2022**

(54) **TOASTER**
(71) Applicant: **SHENZHEN QIANHAI PATUOXUN NETWORK AND TECHNOLOGY CO., LTD.**, Shenzhen (CN)
(72) Inventors: **Gang Qin**, Shenzhen (CN); **Zhilin Lin**, Shenzhen (CN)
(73) Assignee: **SHENZHEN QIANHAI PATUOXUN NETWORK AND TECHNOLOGY CO., LTD.**, Shenzhen (CN)

3,866,525 A * 2/1975 Oxel A47J 37/0878
99/357
5,054,382 A * 10/1991 Ward A47J 37/08
99/327
D409,434 S * 5/1999 Gardner D7/330
6,205,910 B1 * 3/2001 Vaughn A47J 37/08
219/521
D557,061 S * 12/2007 Genslak D7/330
D628,429 S * 12/2010 Ye D7/330
D722,808 S * 2/2015 Zimmermann D7/330
D791,526 S * 7/2017 Rose D7/330
D796,890 S 9/2017 De' Longhi et al.
D886,505 S 6/2020 Thun et al.
D929,168 S * 8/2021 Lin D7/330

(**) Term: **15 Years**
(21) Appl. No.: **29/780,233**
(22) Filed: **Apr. 23, 2021**

Related U.S. Application Data

(63) Continuation-in-part of application No. 29/775,717, filed on Mar. 25, 2021, now Pat. No. Des. 929,168.
(51) **LOC (13) Cl.** **07-02**
(52) **U.S. Cl.**
USPC **D7/330**
(58) **Field of Classification Search**
USPC D7/323, 328-330, 390
CPC ... A21B 2/00; A47J 37/00; A47J 37/06; A47J 37/0611; A47J 37/08; A47J 37/0807; A47J 37/0814; A47J 37/0835; A47J 37/0842; A47J 37/085; A47J 37/0864; A47J 37/0878; A47J 37/0885; A47J 37/0892; F24C 15/10; F24C 15/102
See application file for complete search history.

(56) **References Cited**

U.S. PATENT DOCUMENTS

2,717,951 A * 9/1955 Swicker A47J 37/0814
219/532
D177,503 S * 4/1956 Hunt D7/330
D193,599 S * 9/1962 Fano D7/330

OTHER PUBLICATIONS

Chefman 2-Slice Pop-Up Stainless Steel Toaster. Date First Available on Amazon.com Apr. 17, 2019. <https://www.amazon.com/Chefman-Slice-Toaster-Hamburger-Stainless/dp/B07QS9NM28/ref> (Year: 2019).*

* cited by examiner

Primary Examiner — Ricky Pham

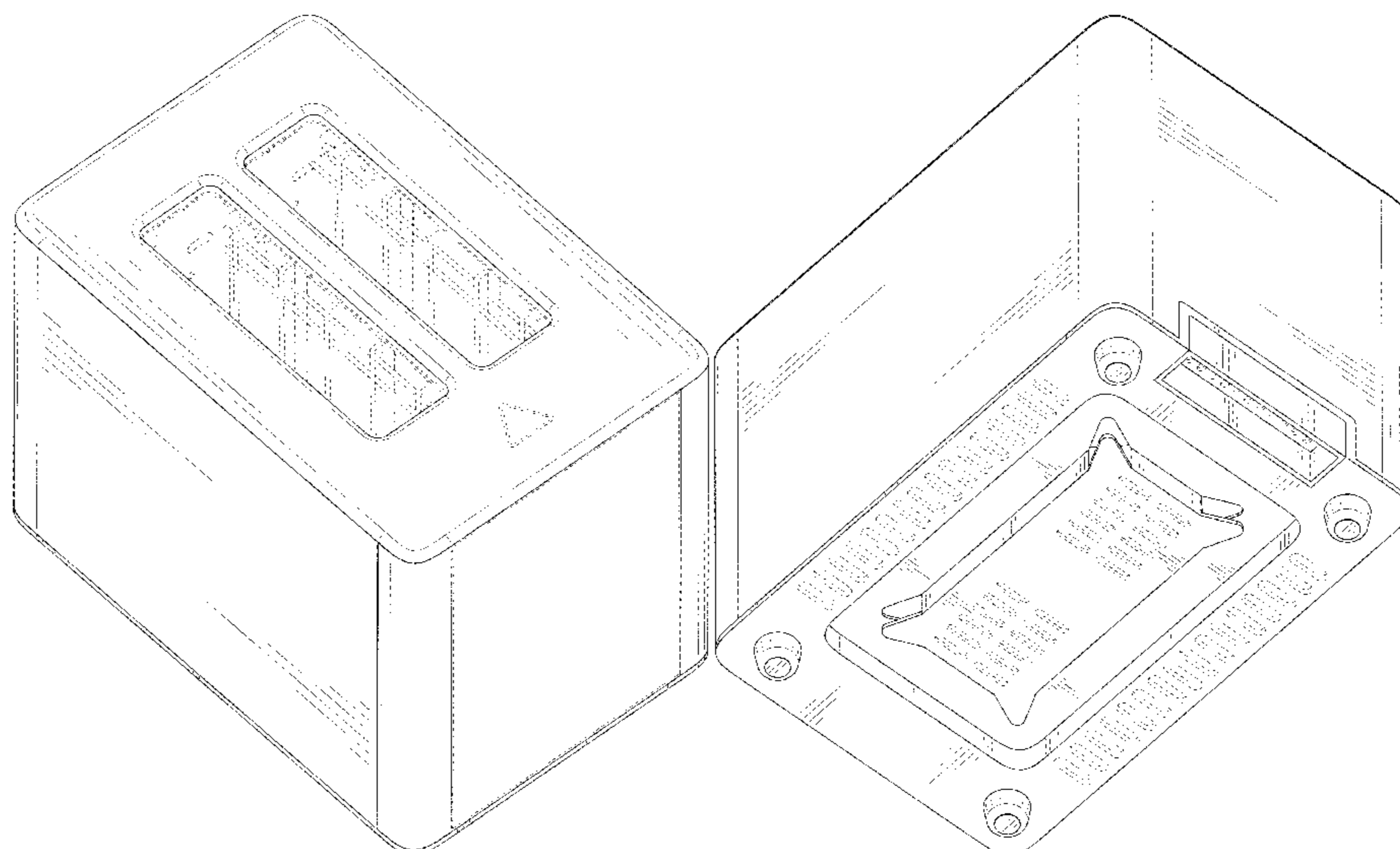
(57) **CLAIM**

The ornamental design for a toaster, as shown and described.

DESCRIPTION

FIG. 1 is a perspective view of a toaster showing my new design;
FIG. 2 is another perspective view thereof;
FIG. 3 is a front elevational view thereof
FIG. 4 is a rear elevational view thereof;
FIG. 5 is a left side elevational view thereof;
FIG. 6 is a right side elevational view thereof;
FIG. 7 is a top plan view thereof; and,
FIG. 8 is a bottom plan view thereof.
The broken lines in the drawings depict portions of the toaster that form no part of the claimed design.

1 Claim, 8 Drawing Sheets



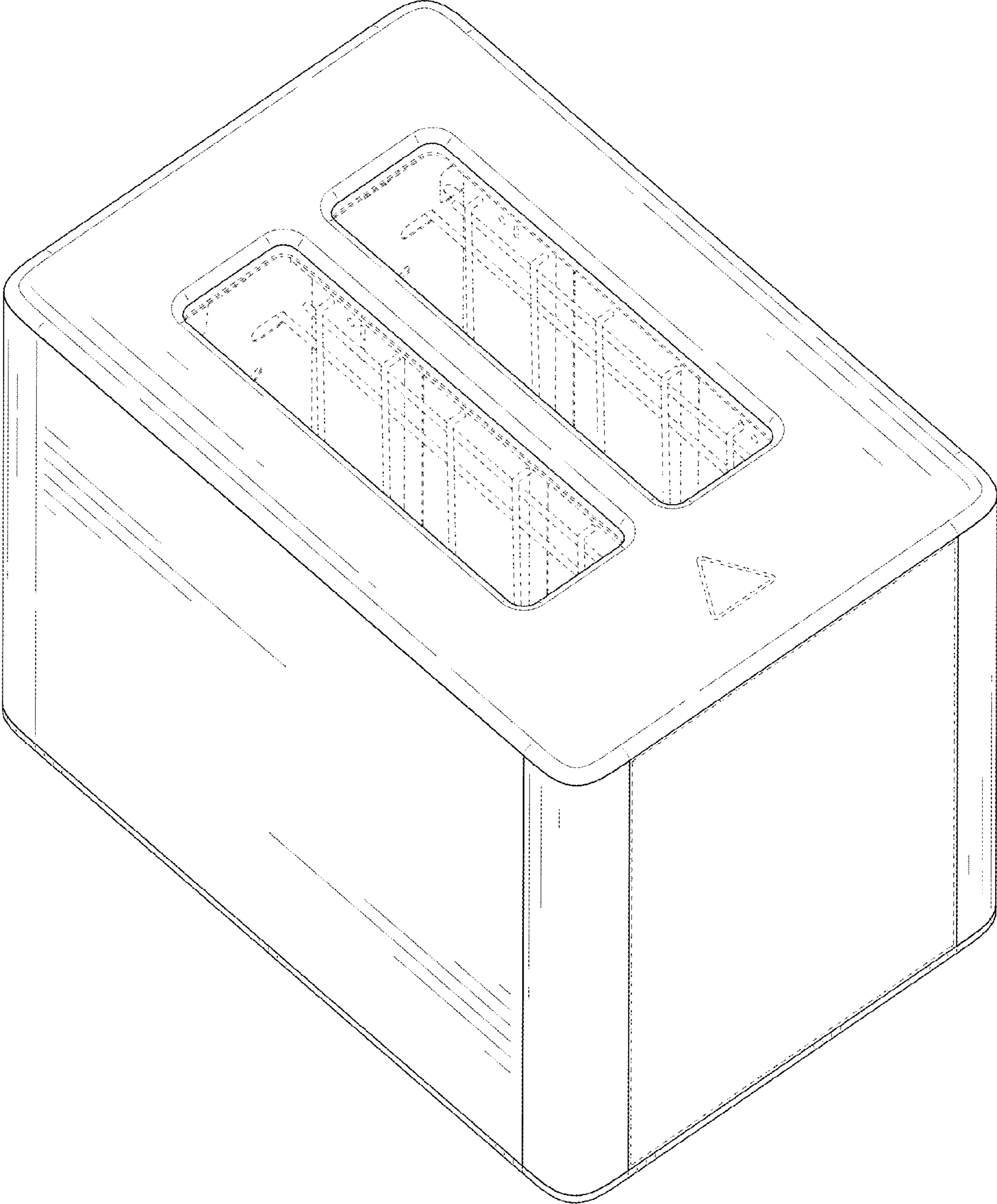


FIG. 1

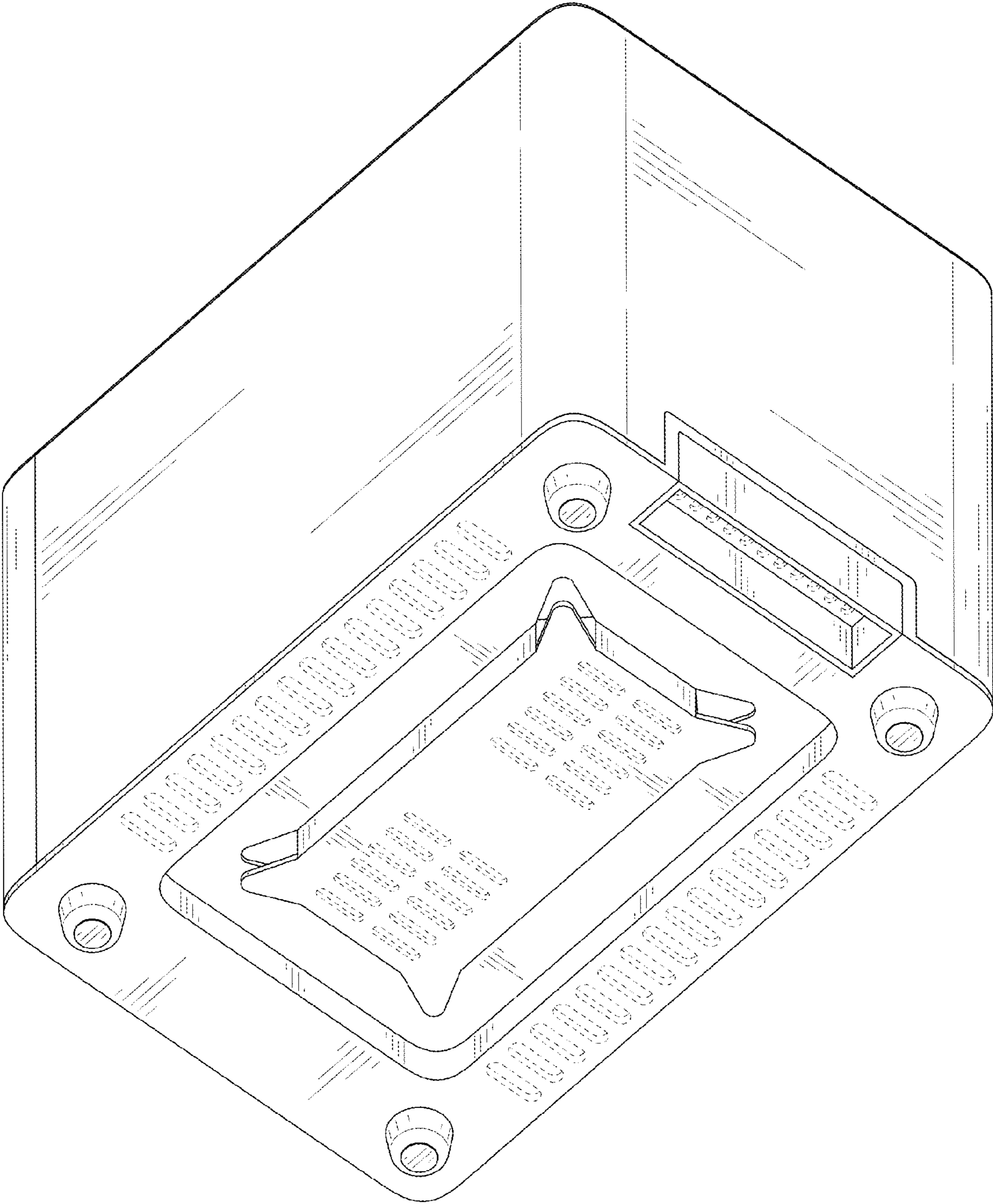


FIG. 2

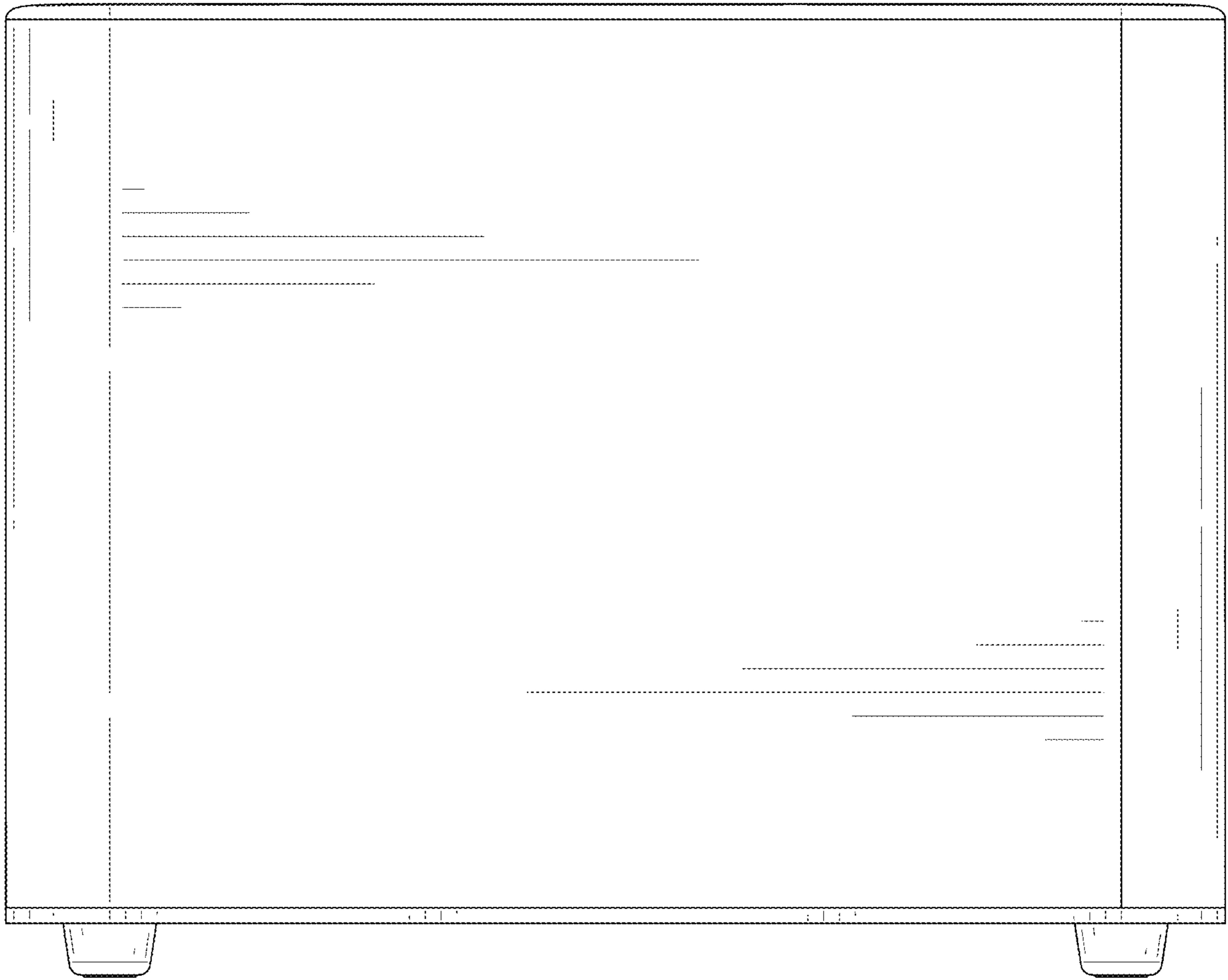


FIG. 3

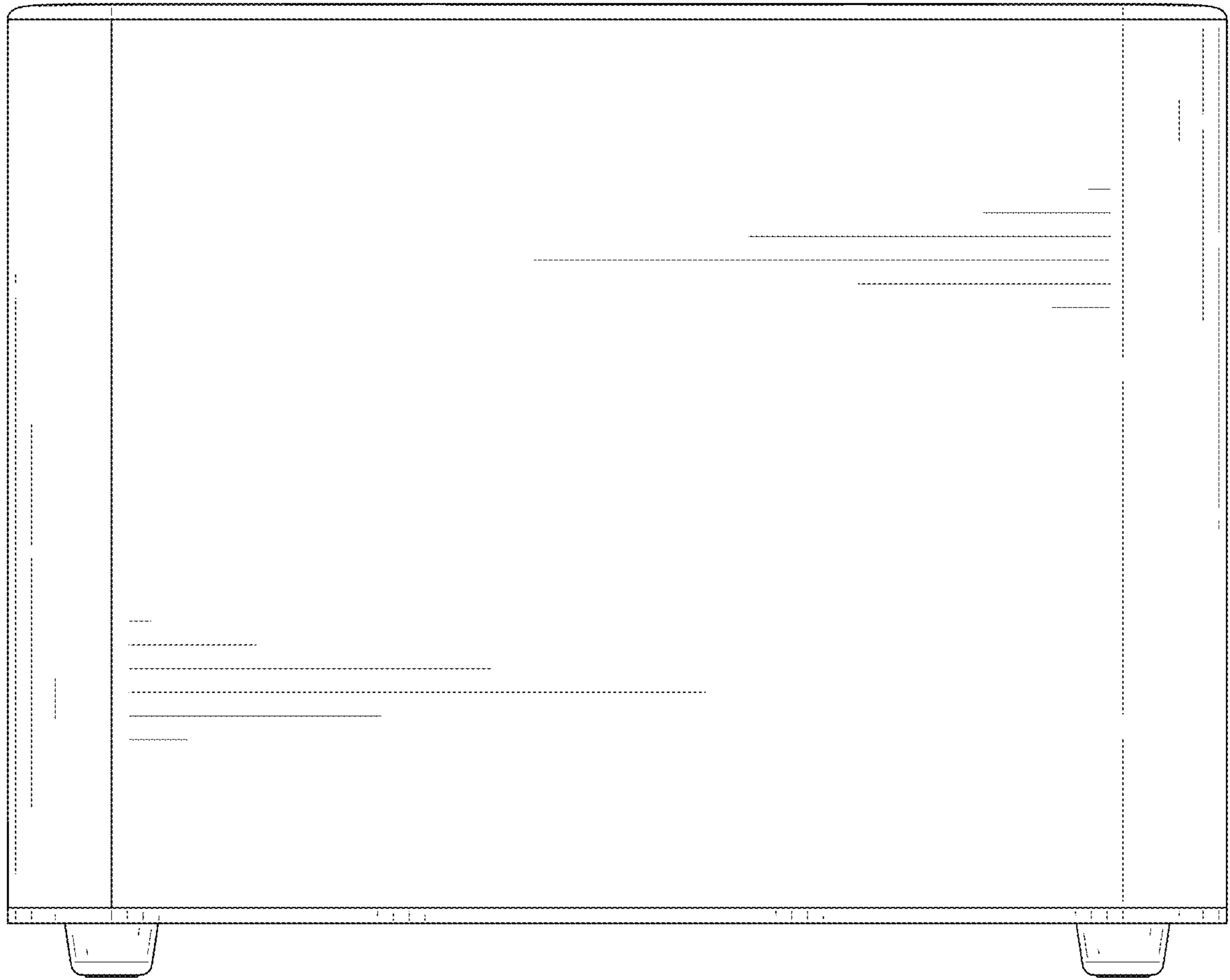


FIG. 4

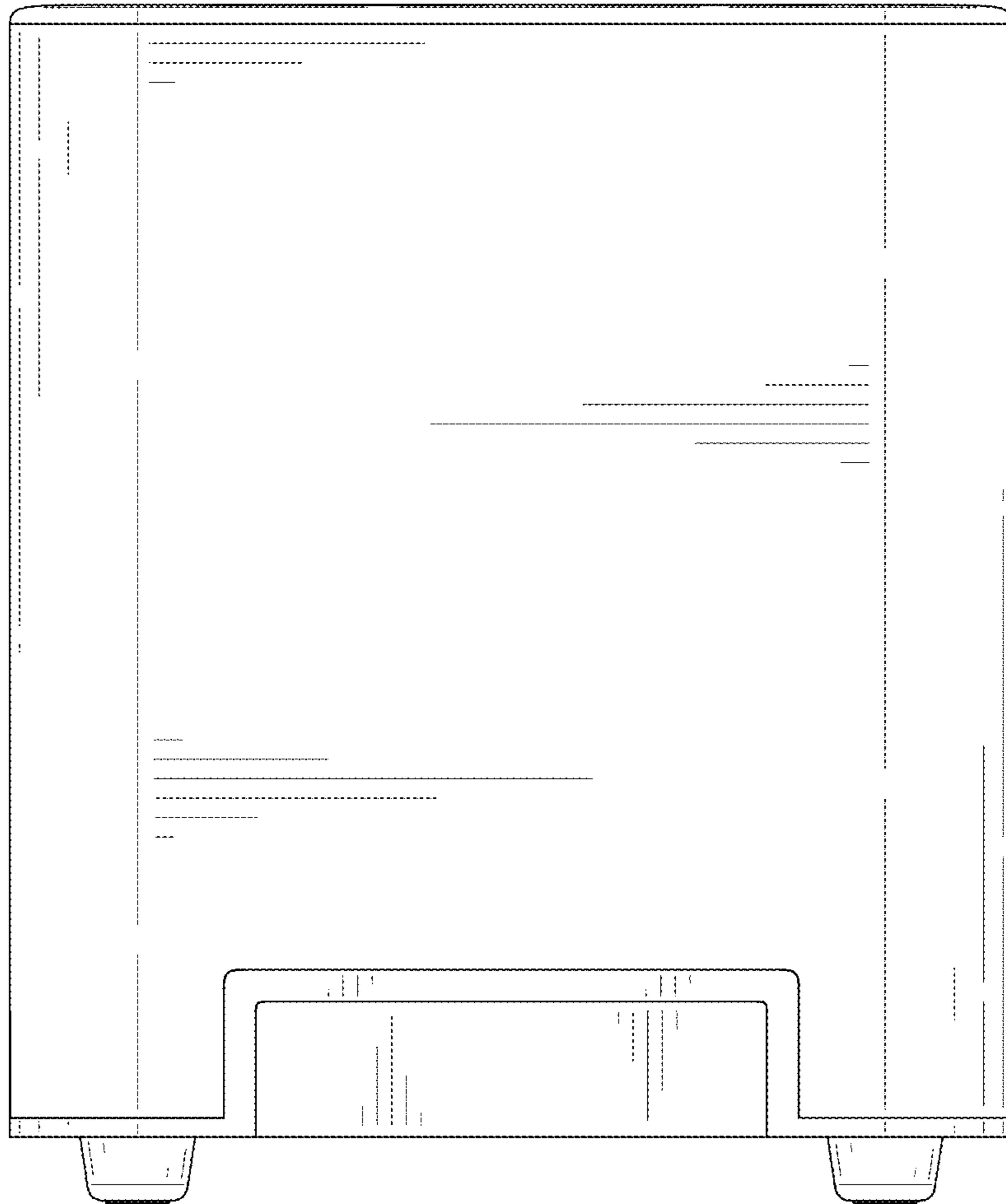


FIG. 5

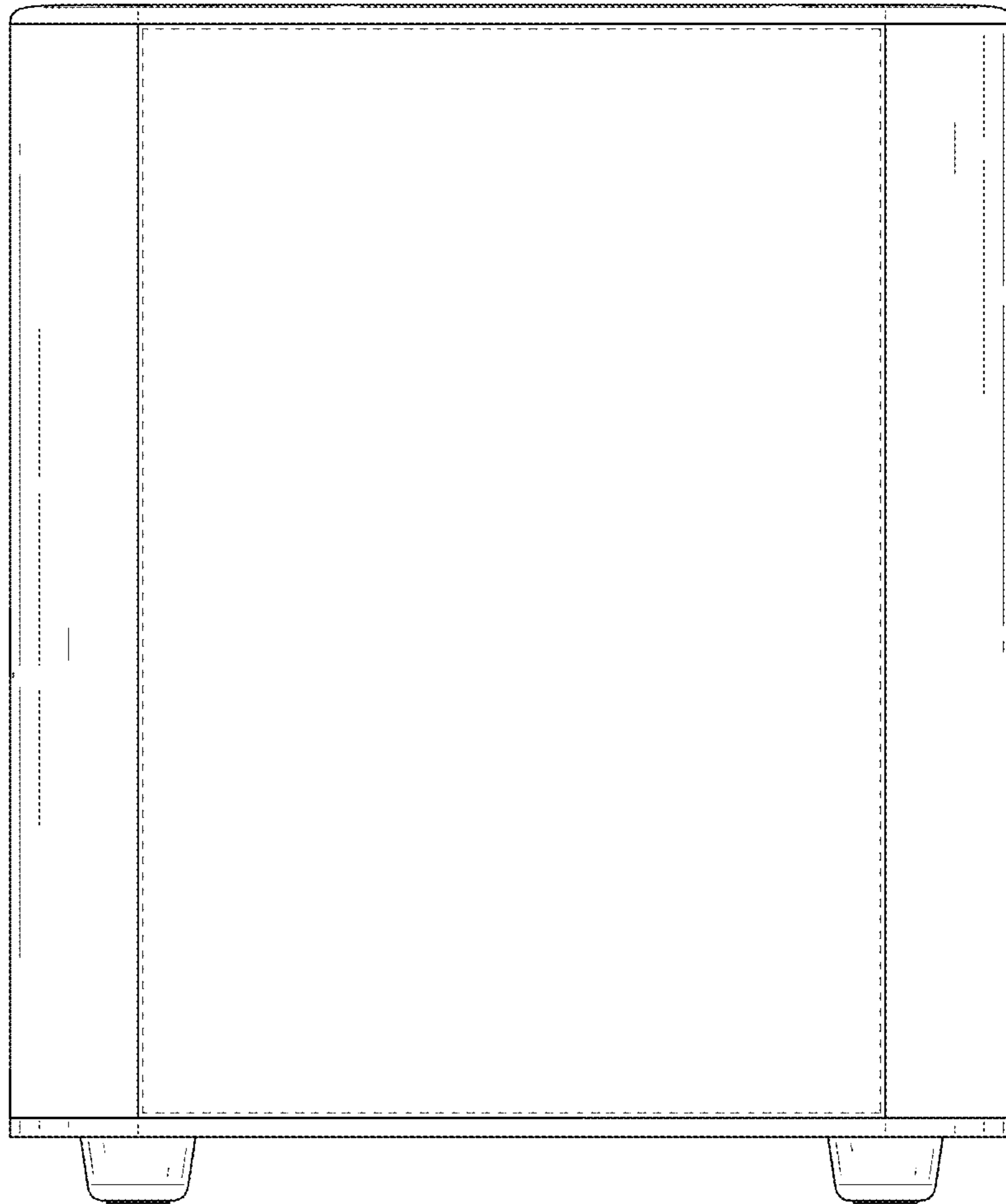


FIG. 6

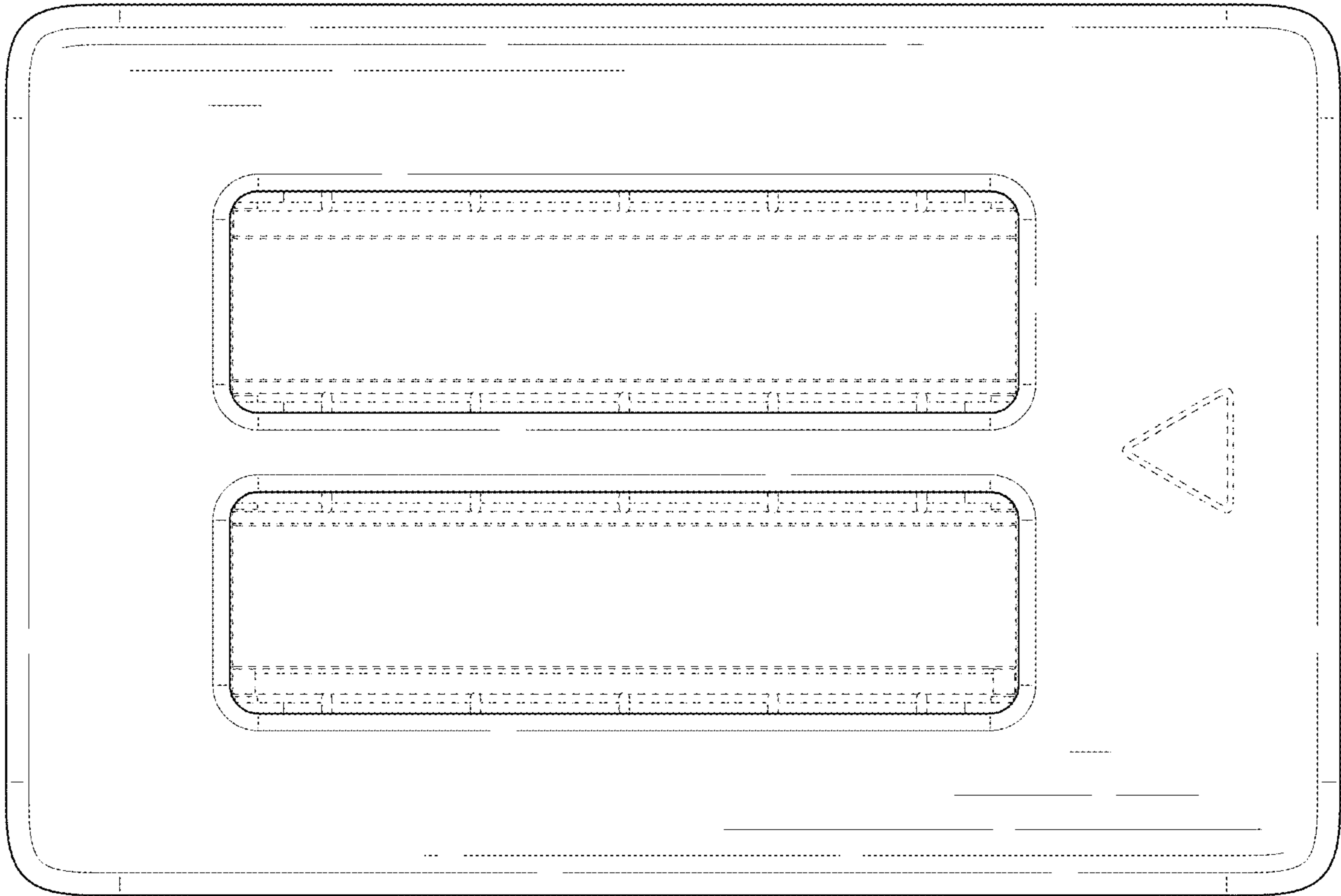


FIG. 7

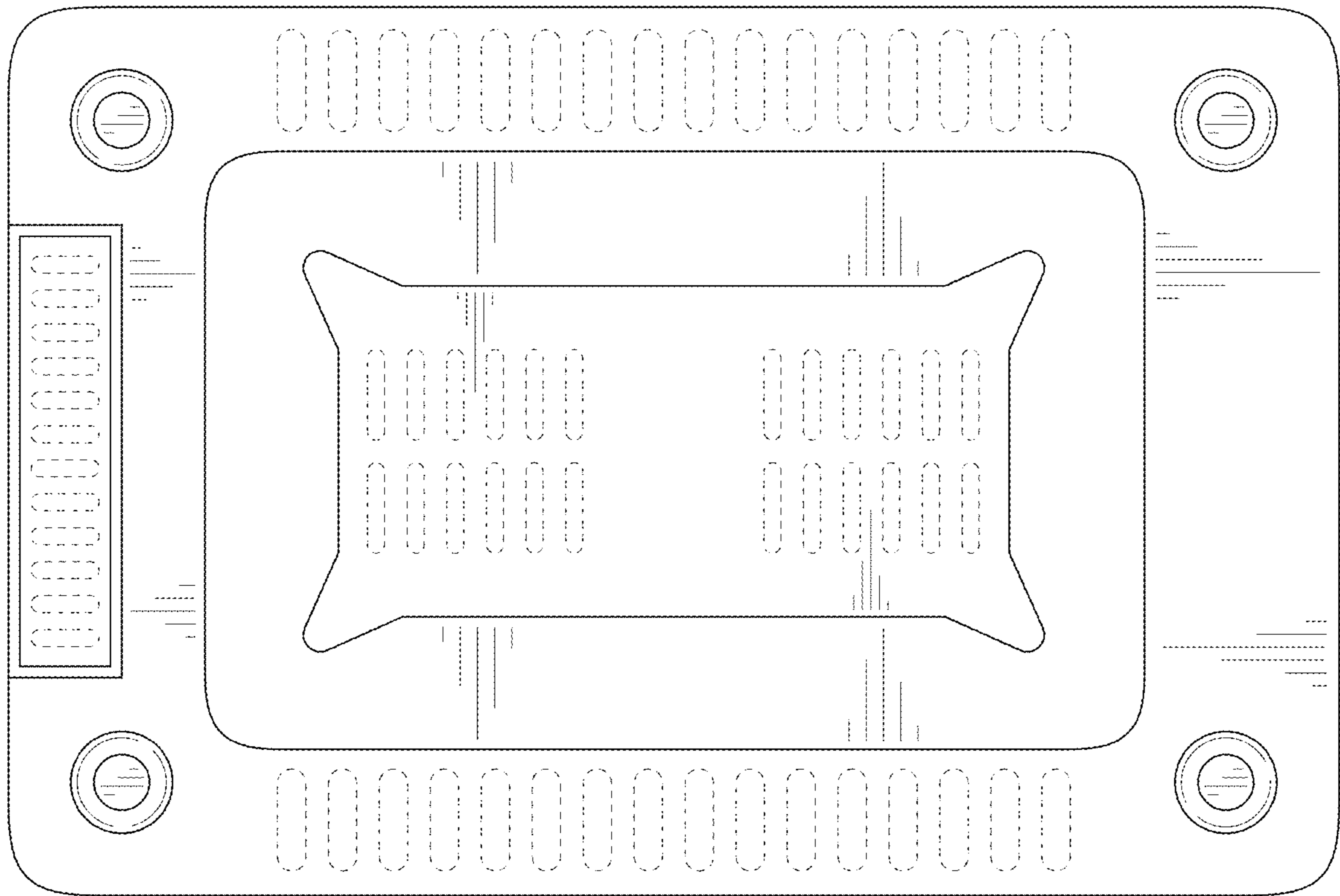


FIG. 8